



EBARA



ISO 9001 : 2000
Lic. No. QEC22090

LPD08CT- R2

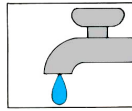
VERTICAL IN-LINE CENTRIFUGAL PUMPS

Model **LPDA**

50 Hz

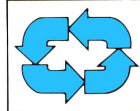


APPLICATIONS



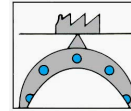
Water Supply

- Boosting pump System
- High-rise building



Water Circulation

- Circulating of water in Heating and cooling



Industrial Use

- Liquid transfer

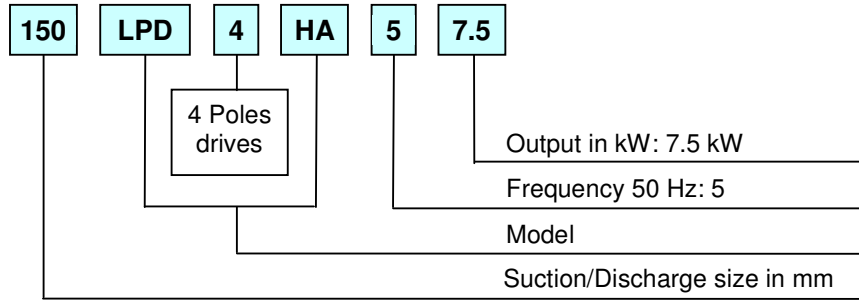
FEATURES

1. Vertical in-line single stage pump.
2. Compact and lightweight.
3. Easy removal and maintenance, BPO (Back pull out) system allows all rotating elements to be removed without disconnecting suction and discharge pipe work.
4. In-line suction – discharge.
5. Non-overload design to ensure stable performance for all applications.
6. Wide range application with flow capacity up to 10 m³/min.
7. Higher working pressure up to 16 bars.

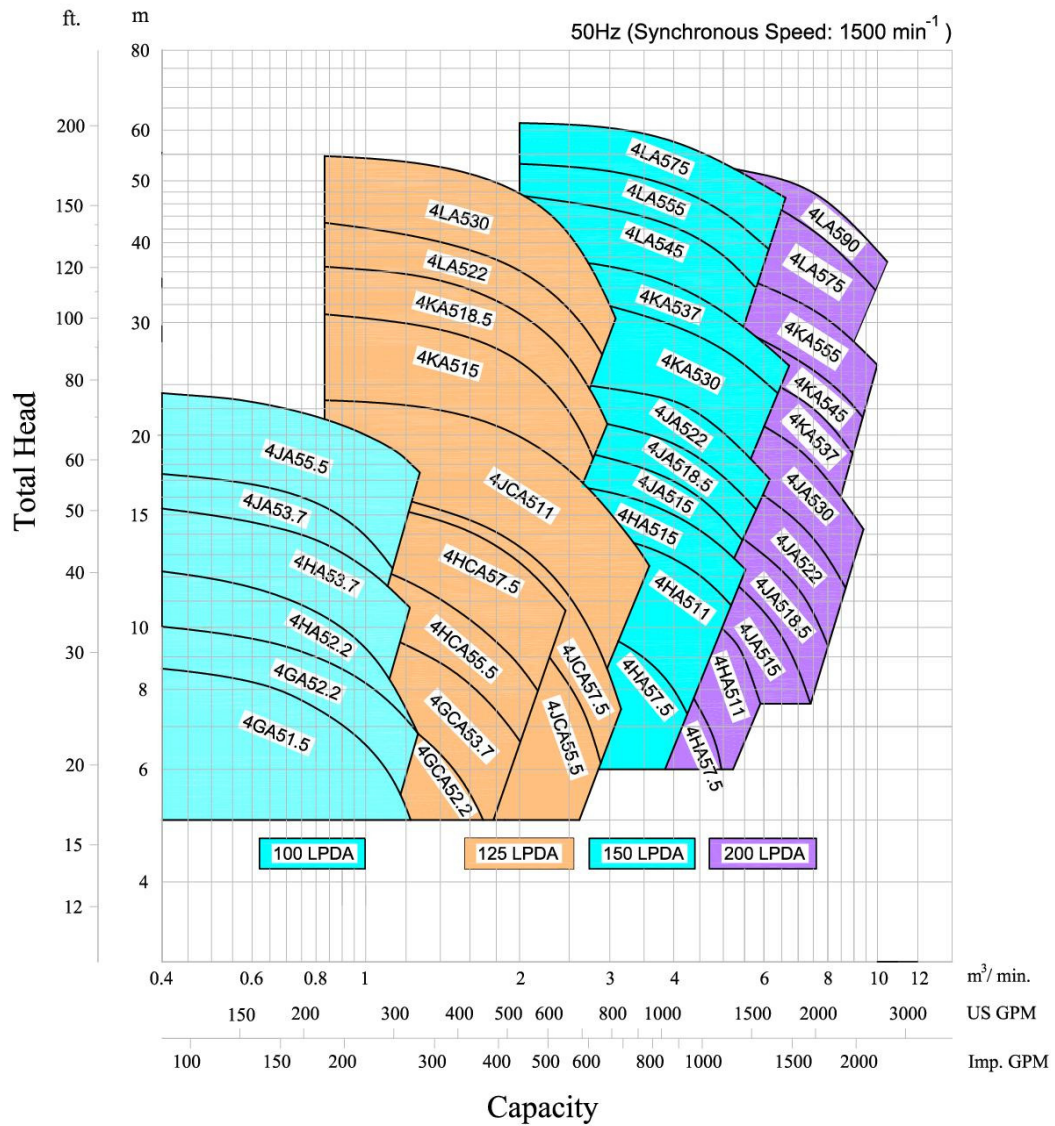
SPECIFICATIONS

Description		Standard	Option
Liquid handled	Type of Liquid	Fresh Water	
	Temperature	0 ~ 100 °C	
Max. Positive suction pressure		10 bar	16 bar
Max. Discharge pressure		16 bar	20 bar
Approximation speed		1450 min ⁻¹	1750 min ⁻¹
Location		Indoor / Outdoor	
Covering Range	Suction Dia.	100 to 200 mm	
	Flow rate	0.4 to 10 m ³ /min	
	Power	1.5 to 75 kW	
Construction	Pump Type	Inline	
	Casing split	Vertical back pull out	
	Impeller	Enclosed	
	Shaft seal	Mechanical Seal	
	Shaft	Stub Shaft	
	Sealing	Self flushing	External flushing
Material	Casing	Cast Iron	Ductile cast iron; Bronze
	Impeller	Bronze	Cast Iron
	Shaft	SUS 304 stainless steel	
	Mech. Seal	Ceramic/Carbon	SiC/Carbon; SiC/SiC
	Motor Casing	Aluminum	Cast Iron
Flanges	Suction	DIN PN-16	JIS 16 KRF; ANSI 250
	Discharge	DIN PN-16	JIS 16 KRF; ANSI 250
Motor	Type	IEC Standard, Flange Mounted type	NEMA Standard, Flange Mounted type
	No. of pole	4	
	Synchr. Speed	1500 min ⁻¹	1800 min ⁻¹
	Insulation class	F	
	Protection	IP 55	
	Volt/ Phase/ Hz	380V-415V / 3 Ph. / 50 Hz	400V-460/ 3 Ph. / 60 Hz

MODEL CODE

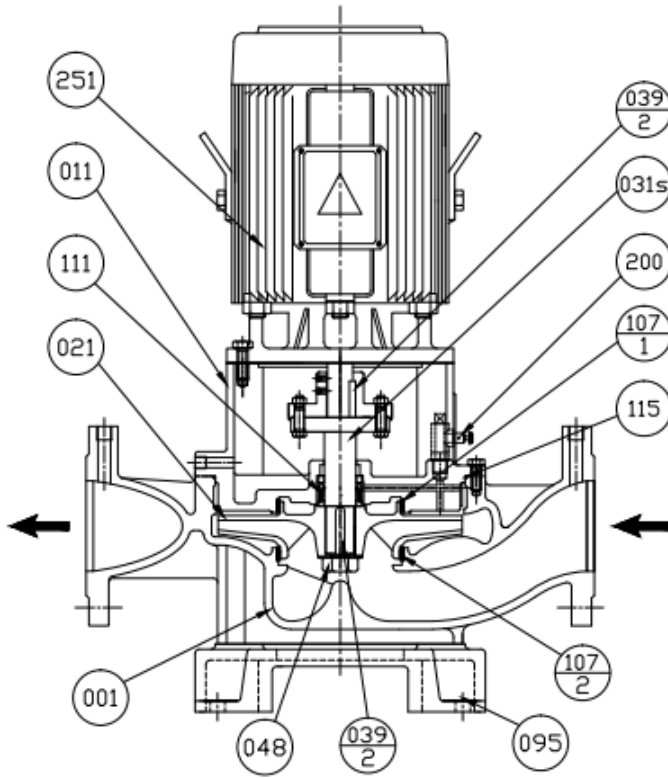


SELECTION CHART

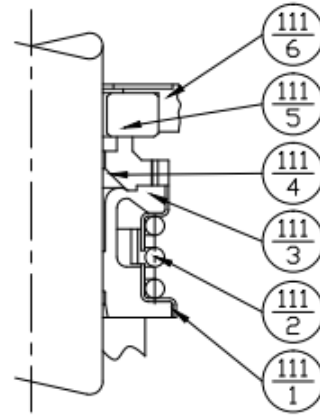


SECTIONAL VIEW

▪ Pump



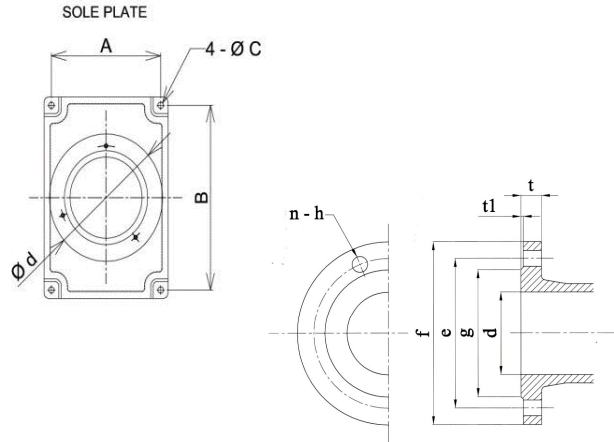
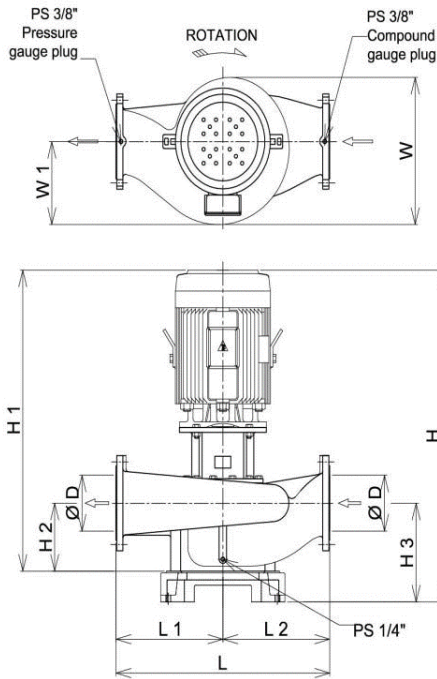
▪ Mechanical Seal



095	Sole Plate	FC200	1
251	Electric Motor	-	1
200	Air Vent Valve	-	1
115	"O" Ring	NBR	1
111	Mechanical Seal	-	1
107	Liner Ring	BC 6	2
048	Impeller Nut	BRASS	1
039-2	Key	SUS 316	1
039-1	Key	S35C	1
031	Stub Shaft	SUS 304	1
021	Impeller	BC 6	1
011	Casing Bracket	FC 250	1
001	Casing	FC 250	1
Part No.	Part Name	Material	Qty

111-6	Cup Gasket	NBR	1
111-5	Mating Ring	Ceramic	1
111-4	Seal Ring	Carbon	1
111-3	Bellows	NBR	1
111-2	Spring	Stainless	1
111-1	Spring Holder	Steel	1
Part No.	Part Name	Material	Qty

DIMENSIONS



Flange DIN PN16

d	e	f	g	t	t1	n	h
mm	mm	mm	mm	mm	mm	mm	mm
100	180	220	156	24	3	8	19
125	210	250	184	26	3	8	19
150	240	285	211	26	3	8	23
200	295	340	266	30	3	12	23

Unit: mm

SIZE (mm)	Model	Output (kW)	Motor Frame Size	ØD	H	H1	H2	H3	L	L1	L2	W1	W	A	B	ØC	Ød	Weight (kg)	
100	100 LPD4GA	1.5	900L	100	706.5	631.5	135	210	520	260	260	153	282	270	370	16	275	70	
		2.2	100L		721.5	646.5												80	
	100 LPD4HA	2.2	100L	100	709.5	634.5	130	190	520	260	260	170	316	270	370	16	275	93	
		3.7	112M		766	691												104	
	125	125 LPD4JA	3.7	112M	100	751	676	125	200	560	280	280	185	352	270	370	16	275	120
			5.5	132S		780	705												138
125 LPD4GCA		2.2	100L	125	739.5	664.5	165	240	600	300	300	178	320	270	370	16	275	82	
		3.7	112M		796	721												93	
150		125 LPD4HCA	5.5	132S	125	834	759	165	240	600	300	300	185	343	270	370	16	275	126
			7.5	132M		872	797												140
	125 LPD4JCA	5.5	132S	125	879	789	195	285	700	350	350	225	414	360	550	19	320	197	
		7.5	132M		917	827												212	
	200	125 LPD4KA	11	160M	125	1033	943	160	235	700	350	350	246	465	360	550	19	320	250
			15	160L		1027	937												274
150 LPD4LA		18.5	180MC	125	1047	957	170	260	780	390	390	270	520	360	550	23	320	314	
		22	180LC		1158	1068												407	
150		150 LPD4KA	30	200LC	125	1251	1161	200	290	700	350	350	243	430	360	550	19	320	480
			7.5	132M		922	832												193
	150 LPD4JA	11	160M	150	1038	948	205	295	800	400	400	475	264	360	550	19	320	230	
		15	160L		1082	992												248	
	200	150 LPD4LA	15	160L	150	1087	997	198	308	900	450	450	310	600	440	660	23	455	268
			18.5	180MC		1107	1017												308
200 LPD4HA		22	180LC	150	1145	1055	250	360	900	450	450	278	530	440	660	23	455	340	
		30	200LC		1268	1158												457	
200		200 LPD4JA	37	225SC	150	1319	1209	240	350	800	400	400	278	530	440	660	23	455	506
			45	225MC		1335	1225												580
	200 LPD4KA	55	250SC	150	1315	1205	240	350	900	450	450	310	600	440	660	23	455	705	
		75	250MC		1445	1335												780	
	200	200 LPD4HA	5.5	132S	200	954	844	250	360	900	450	450	270	480	360	550	19	320	216
			7.5	132M		992	882												230
200 LPD4JA		11	160M	200	1108	998	245	355	860	430	430	296	544	440	660	23	455	269	
		15	160L		1167	1057												328	
200		200 LPD4KA	18.5	180MC	200	1187	1077	240	350	900	450	450	315	568	440	660	23	455	368
			22	180LC		1225	1115												400
	200 LPD4LA	30	200LC	200	1318	1208	240	350	1000	500	500	365	657	440	660	23	455	474	
		37	225SC		1361	1251												553	
	200 LPD4JA	45	225MC	200	1386	1276	240	350	1000	500	500	365	657	440	660	23	455	577	
		55	250SC		1458	1348												700	
200 LPD4LA	75	250MC	200	1501	1391	240	350	1000	500	500	365	657	440	660	23	455	983		
	90	280SC		1572	1462												1183		



EBARA CORPORATION (Head Office, Standard Pump Business Division), Japan

Website : www.ebara.co.jp/en

EBARA PUMPS EUROPE S.P.A. (Brendola office), Italy

Website : www.ebaraeurope.com

E-mail : marketing@ebaraeurope.com

SUMOTO S.R.L., Italy

Website : www.sumoto.com

E-mail : info@sumoto.com

EBARA ESPAÑA BOMBAS, S.A., Spain

Website : www.ebara.es

E-mail : correo@ebara.es

EBARA INTERNATIONAL CORPORATION (Standard Pump Division), U.S.A.

Website : www.pumpsebara.com

E-mail : sales@pumpsebara.com

EBARA INDÚSTRIAS MECÂNICAS E COMÉRCIO LTDA, Brazil

Website : www.ebara.com.br

EBARA MACHINERY (CHINA) CO., LTD, P.R.China

Website : www.ebara.cn

E-mail : emc@ebara.cn

EBARA DENSAN-TAIWAN MANUFACTURING CO., LTD, R.O. China-Taiwan

Website : www.ebara.co.tw

E-mail : sales01@ebara.co.tw

EBARA (THAILAND) LIMITED, Thailand

Website : www.ebara.co.th

E-mail : info@ebara.co.th

P.T. EBARA INDONESIA, Indonesia

Website : www.ebaraindonesia.com

E-mail : marketing@ebaraindonesia.com

EBARA PUMPS MALAYSIA SDN. BHD., Malaysia

Website : www.ebara.com.my

E-mail : sales@ebara.com.my

EBARA BENGUET, INC, Philippines

Website : www.ebaraphilippines.com

E-mail : pumpsales@ebaraphilippines.com

EBARA ENGINEERING SINGAPORE PTE. LTD, Singapore

Website : www.ebara.com.sg

EBARA PUMPS AUSTRALIA PTY. LTD., Australia

Website : www.ebara.com.au

Distributor / Dealer