

CM, CME

Horizontal, multistage centrifugal pumps

50/60 Hz



be
think
innovate

GRUNDFOS 

1. Product introduction	5
2. Overview	7
3. Applications	8
4. Features and benefits	10
5. Identification	12
6. Product range	13
CM, CME	13
CM self-priming	15
7. Performance range	16
CM, 50 Hz	16
CM, 60 Hz	16
CM self-priming, 50 Hz	17
CM self-priming, 60 Hz	17
CME, 50/60 Hz	18
8. Operating conditions	19
Ambient temperature	19
Storage and transport temperature	19
Installation altitude	19
Installation of pump	20
Maximum operating pressure and permissible liquid temperature	20
Frequency of starts and stops	21
Operation in condensing environments	21
Environmental rating	21
Operating range of the shaft seal	21
Viscosity	22
Sound pressure level	22
9. Construction	23
Pump	23
Motor	23
Frequency converter operation	24
Shaft seal	24
Material specification	28
10. CME pumps	29
Communication with CME pumps	29
Speed control of CME pumps	30
11. Grundfos CUE	31
CM pumps connected to Grundfos CUE, external frequency converters	31
12. Approvals and markings	32
CM, CME pumps	32
Markings	32
CM self-priming pumps	32
13. Certificates	33
14. Selection and sizing	36
Selection of pumps	36
Selection of CME pumps	37
15. How to read the curve charts	38
Guidelines for performance curves	38
16. Performance curves, CM 50 Hz	39
CM 1	39
CM 3	40

CM 5	41
CM 10	42
CM 15	43
CM 25	44
17. Performance curves, CM 60 Hz	45
CM 1	45
CM 3	46
CM 5	47
CM 10	48
CM 15	49
CM 25	50
18. Performance curves, CM self-priming, 50 Hz	51
CM 1	51
CM 3	53
CM 5	55
19. Performance curves, CM self-priming, 60 Hz	58
CM 1	58
CM 3	60
CM 5	62
20. Performance curves, CME 50/60 Hz	64
CME 1	64
CME 3	65
CME 5	66
CME 10	67
CME 15	68
CME 25	69
21. Dimensions, CM 50 Hz	70
CM 1-A	70
CM 1-I and CM 1-G	71
CM 3-A	72
CM 3-I and CM 3-G	73
CM 5-A	74
CM 5-I and CM 5-G	75
CM 10-A	76
CM 10-I and CM 10-G	77
CM 15-A	78
CM 15-I and CM 15-G	79
CM 25-A	80
CM 25-I and CM 25-G	81
22. Dimensions, CM 60 Hz and 50/60 Hz	82
CM 1-A	82
CM 1-I and CM 1-G	83
CM 3-A	85
CM 3-I and CM 3-G	86
CM 5-A	88
CM 5-I and CM 5-G	89
CM 10-A	90
CM 10-I and CM 10-G	91
CM 15-A	92
CM 15-I and CM 15-G	93
CM 25-A	94
CM 25-I and CM 25-G	95
23. Dimensions, CM self-priming 50 Hz and 60 Hz	96
24. Dimensions, CME 60 Hz and 50/60 Hz	97
CME 1-A	97
CME 1-I and CME 1-G	98
CME 3-A	99

CME 3-I and CME 3-G	100
CME 5-A	101
CME 5-I and CME 5-G	102
CME 10-A	103
CME 10-I and CME 10-G	104
CME 15-A	105
CME 15-I and CME 15-G	106
CME 25-A	107
CME 25-I and CME 25-G	108
25. Weights and shipping volume	109
CM non-self-priming pumps	109
CM non-self-priming pumps	111
CM self-priming pumps	114
CME non-self-priming pumps	114
CME non-self-priming pumps	115
26. Motor data	116
Mains-operated motors, 50 Hz	116
Mains-operated motors, 60 Hz	116
Mains-operated motors, 50/60 Hz	118
Speed-controlled motors	120
Additional data for speed-controlled motors	121
27. Customisation	124
Motors	124
Pumps	130
28. Accessories	131
Pipework connections	131
Potentiometer for CME	136
Communication interface modules (CIM) for CME	136
Grundfos GO	136
Sensors for CME	137
MP 204 motor protector	138
Cover for CM motor	138
Angled cable gland	138
29. Grundfos Product Center	139

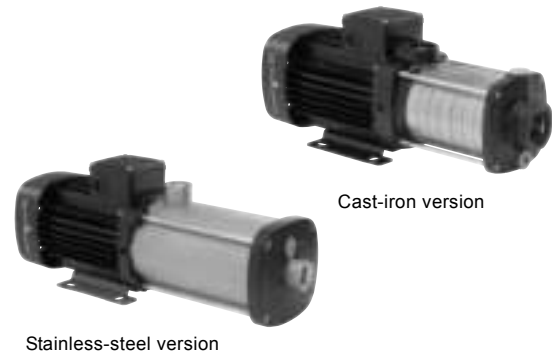
1. Product introduction

The Grundfos CM and CME pumps are horizontal, multistage, end-suction centrifugal pumps. The pumps are of the close-coupled type and available as either self-priming or non-self-priming pumps. CM pumps are fitted with mains-operated motors whereas the motor for CME pumps has an integrated frequency converter. Both CM and CME pumps have mechanical shaft seals.

The CM and CME pumps are available in these three material versions:

- cast iron (EN-GJL-200)*
 - stainless steel (EN 1.4301/AISI 304)
 - stainless steel (EN 1.4401/AISI 316).
- * The pump shaft, impeller, chamber and filling plugs are made of stainless steel (EN 1.4301/AISI 304).

CM



Stainless-steel version

Cast-iron version

TM05 1128 2211 - TM05 1129 2211

Fig. 1 Grundfos CM pumps

The CM pumps are unique products that have been developed in order to fulfil a wide variety of customer demands. The development of the pumps has resulted in no less than five patent applications.

The CM pumps are available in various sizes and numbers of stages to provide the flow and pressure required.

The CM pumps consist of two main components: the motor and the pump unit. The motor is a Grundfos motor designed to EN standards. The pump unit incorporates optimised hydraulics and offers various types of connections.

The pumps offer many advantages, some of which are listed below and described in detail in *Features and benefits* on page 10:

- compact design
- worldwide usage
- high reliability
- service friendly
- wide performance range
- low noise
- customised solutions.

CME



TM06 6197 0816

Fig. 2 Grundfos CME pump

The CME pumps are built on the basis of CM pumps. CME pumps belong to the so-called E-pump family. The difference between the CM and the CME pump ranges is the motor.

The CME pump motor is a Grundfos MGE motor designed to EN standards. The motor incorporates a frequency converter.

Frequency control enables continuously variable control of the motor speed, which makes it possible to set the pump to operation at any duty point. The aim of continuously variable control of the motor speed is to adjust the performance to a given requirement.

You can connect a pressure sensor to the built-in frequency converter on CME pumps. For further information, see section *Sensors for CME* on page 137.

The pump materials are identical to those of the CM pump range.

Highest energy efficiency rating worldwide

CME pumps are fitted with the new-generation MGE motors which are permanent-magnet motors incorporating a high-efficiency frequency converter. This ensures an even higher efficiency of the pump.

The motor is energy efficiency class IE5 according to IEC60034-30-2. In combination with the integrated frequency converter, the combined power drive system is efficiency class IES2 according to IEC50598-2.

Selecting a CME pump

Select a CME pump if the following features are required:

- controlled operation, i.e. consumption fluctuates
- constant pressure
- communication with the pump.

Adaptation of performance through frequency-controlled speed offers obvious benefits such as:

- energy savings
- increased comfort
- control and monitoring of the application and pump performance.

For further information about CME pumps, see *CME pumps* on page 29.

2. Overview



Applications



Pages 8 and 9

Identification



Page 12

Product range



Pages 13 and 14

Operating conditions



Pages 19 to 22

Construction



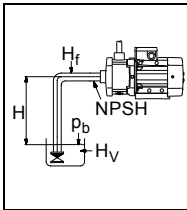
Pages 23 to 28

Certificates and approvals



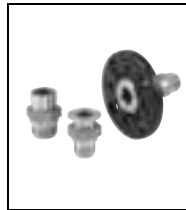
Pages 33 and 34

Selection and sizing



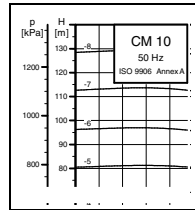
Pages 36 to 37

Pipe connections



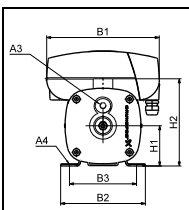
Pages 37 and 130

Performance curves



Pages 39 to 69

Dimensions



Pages 70 to 108

Motor data



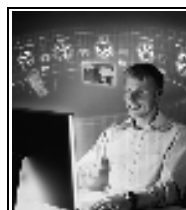
Pages 116 to 121

Accessories



Pages 131 to 138

Customisation



Page 124

Further product information



Page 139

3. Applications

The CM and CME pumps are designed to cover a wide variety of applications, ranging from small domestic installations to large industrial systems. The pumps are therefore suitable for a wide diversity of pumping systems where the performance and material of the pump must meet specific demands.

Some of the most typical applications are mentioned below:

- washing and cleaning
- water treatment
- temperature control
- pressure boosting.

Washing and cleaning



Gr3572

Fig. 3 Washing and cleaning

CM and CME pumps can be used in washing and cleaning applications, which usually involve pumping of water containing soap or other cleaning agents.

Reference applications

Typical washing and cleaning applications:

- degreasing and washing of production equipment in industrial environments such as the food and beverage industry
- washing machines
- vehicle-washing tunnels
- mobile-washing units
- units for CIP (Cleaning In Place).

Water treatment



Gr7052

Fig. 4 Water treatment

In water treatment plants, the water undergoes a process which makes it more suited for its end use. In this process, the CM and CME pumps can be utilised either as feed pumps or as booster pumps.

Reference applications

Typical water treatment applications:

- nano-, micro- and ultra-filtration systems
- softening, ionising, demineralising systems
- desalination systems
- distillation systems
- separators
- swimming baths.

Temperature control



GrA6288

Fig. 5 Temperature control

Temperature control involves applications where the CM and CME pumps circulate a liquid in a closed loop consisting of a heating or cooling element for optimising a process by means of temperature. Temperature control is also chilling of equipment or food and beverage in the food production industry.

Reference applications

The CM and CME pumps can for example be used in temperature control systems such as:

- electronic data processing
- laser equipment
- medical equipment
- industrial refrigeration
- heating and cooling in industrial processes
- moisturising and humidifying.

To ensure safe and reliable operation in applications involving temperature control, we offer CM and CME pumps designed to meet your needs!

We provide solutions for applications involving pumping of these liquids:

- liquids at temperatures down to $-20\text{ }^{\circ}\text{C}$
- high-temperature liquids
- high-viscous liquids, etc.

Pumping of liquids at temperatures down to $-20\text{ }^{\circ}\text{C}$

When pumping liquids at temperatures down to $-20\text{ }^{\circ}\text{C}$, it is crucial that the pump parts are made of the right materials and have the right dimensions. At such low temperatures, the selection of wrong materials and dimensions may cause deformation because of thermal expansion, and eventually stoppage of operation.

Note: CM and CME pumps for pumping liquids at temperatures below $-20\text{ }^{\circ}\text{C}$ are available on request. Please contact Grundfos.

Pumping of high-temperature liquids

The pumping of hot liquids such as water-based liquids up to $120\text{ }^{\circ}\text{C}$ demands much of the pump parts, such as shaft seals and rubber parts.

Pumping of high-viscous liquids

In applications where high-viscous liquids are pumped, the motor of the pump can be overloaded, and the pump performance will be reduced.

The viscosity of a pumped liquid depends strongly on the pumped liquid and its temperature.

To meet the above-mentioned requirements, we offer CM and CME pumps with oversize motors.

Pressure boosting



Gr0526

Fig. 6 Pressure boosting

In pressure-boosting applications, the pumped liquid must be delivered at a desired pressure on demand. The main priorities in pressure-boosting applications are to ensure maximum reliability and user comfort. Therefore, the CM and CME pumps are also ideal for such applications.

Reference applications

Typical pressure-boosting applications:

- pressure boosting and transfer of drinking water
- process-water systems.

Other applications

Besides the applications mentioned above, the CM and CME pumps can be used in many other applications.

Examples:

- distilling systems
- dosing/mixing
- evaporation
- comprised machinery
- chemical industry
- pharmaceutical industry.

4. Features and benefits



TM04 3509 4508 - TM06 6197 0816

Fig. 7 CM and CME pumps

CM and CME pumps present the following features and benefits:

Compact design

Pump and motor are integrated in a compact and user-friendly design. The pump is fitted to a low-profile base plate, making it ideal for installation in systems where compactness is important.

Modular construction/customised solutions

The modular construction of the CM and CME pumps makes it easy to create many different variants based on standard factory parts. This means that it is possible to create pump variants that are customised for the application in question.

Energy-optimised pumps

CM and CME pumps are energy-optimised and comply with the EuP Directive (Commission Regulation (EC) No 547/2012) in which most pumps are classified/graduated in a new energy efficiency index (MEI). See also page 18.

Worldwide usage

- With different voltage and frequency combinations, the CM and CME product ranges cover markets worldwide.
- The CM and CME product ranges have been approved and are marked for worldwide usage. See *Approvals and markings* on page 32.

High reliability

New state-of-the-art shaft seal design and materials offering these benefits:

- high wear resistance and long operating life
- improved sticking and dry-running capabilities.

The pumps are less sensitive to impurities in the pumped liquid than similar pumps of the canned-rotor type.

Easy installation and commissioning

- A Quick Guide supplied with the CM pump enables easy installation and commissioning. Detailed multilingual installation and operating instructions are available for each pump.
- An installation indicator fitted to three-phase CM pumps makes it easy to see if the electrical connection of the motor is correct. Based on the motor cooling air, it indicates the direction of rotation of the motor.

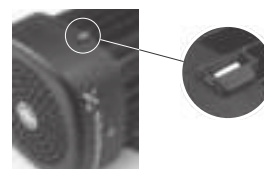


Fig. 8 Installation indicator

TM05 0870 1811

Service-friendly

- Service was in mind during the development.
- No special service tools required.
- Spare parts in stock for quick delivery.
- Service parts available as kits, single parts or bulks.
- Service instructions and video make it simple to disassemble and assemble the pump.
- Service kit instructions available where estimated necessary.

Additional features and benefits for self-priming pumps

The CM self-priming pump can create a suction lift of up to 8 metres in less than 5 minutes when installed and commissioned correctly.

- The pump is available in stainless steel 1.4301 with EPDM or Viton O-rings.
- The pump is available for single-phase operation as standard and for three-phase operation on request.

Wide performance range

Can be used in a wide range of applications:

- washing and cleaning
- water treatment
- temperature control
- pressure boosting
- chemical industry
- pharmaceutical industry
- etc.

Product range in the Grundfos Product Center (<http://product-selection.grundfos.com/>).

Low noise level

The CM and CME pumps offer very silent operation.

High-performance hydraulics

Pump efficiency is maximised by the optimised hydraulics and carefully crafted production technology.

Electrocoated cast-iron parts

- optimised corrosion resistance
- better efficiency because of smooth surfaces.

Customised solutions

It is possible to create many different variants of the CM and CME pumps. For further information, see *Customisation* on page 124.

- motor adaptation
- pump body modifications.

Grundfos motor

Grundfos motors are remarkably silent and highly efficient.

Grundfos motors are available with integrated frequency converter designed for speed-controlled operation.

Data and literature about the CM and CME pumps

All literature and technical data related to CM and CME pumps are available on line in the Grundfos Product Center (<http://product-selection.grundfos.com/>).

5. Identification

Example	CM 10 - 3 A - R - I - E - A V B E F - A - A - N																														
<p>Type range</p> <p>CM: Centrifugal Modular CME: Centrifugal Modular with integrated frequency converter</p> <p>Rated flow rate</p> <p>Rated flow rate at 50 Hz [m³/h] Number of impellers</p> <p>Pump version</p> <p>A: Basic version B: Oversize motor (one kW size larger) D: Special nameplate E: Pumps with certificates/approvals N: CME pump with pressure sensor P: Undersize motor (one kW size smaller) T: Oversize motor (two kW sizes larger) O: Self-priming version (maximum suction lift 8 metres) S: Self-priming version (maximum suction lift 4 metres) X: Special pump</p> <p>Note: Two letters symbolise that two parameters have been combined.</p> <p>Pipe connection</p> <p>C: Tri-Clamp® F: DIN/ANSI/JIS flange P: Victaulic® coupling R: Whitworth thread Rp (ISO 7/1) S: Internal NPT thread</p> <p>Materials in contact with pump media</p> <table border="0"> <tr> <td>A:</td> <td>Inlet and outlet parts</td> <td>EN-GJL-200</td> </tr> <tr> <td></td> <td>Pump shaft</td> <td>EN 1.4301/AISI 304</td> </tr> <tr> <td></td> <td>Impellers/chambers</td> <td>EN 1.4301/AISI 304</td> </tr> <tr> <td>G:</td> <td>Sleeve</td> <td>EN 1.4401/AISI 316</td> </tr> <tr> <td></td> <td>Pump shaft</td> <td>EN 1.4401/AISI 316</td> </tr> <tr> <td></td> <td>Impellers/chambers</td> <td>EN 1.4401/AISI 316</td> </tr> <tr> <td>I:</td> <td>Sleeve</td> <td>EN 1.4301/AISI 304</td> </tr> <tr> <td></td> <td>Pump shaft</td> <td>EN 1.4301/AISI 304</td> </tr> <tr> <td></td> <td>Impellers/chambers</td> <td>EN 1.4301/AISI 304</td> </tr> <tr> <td>X:</td> <td>Special version</td> <td></td> </tr> </table> <p>Rubber parts in pump (excluding neck ring and shaft seal)</p> <p>E: EPDM (ethylene propylene) K: FFKM (perflour) V: FKM (flour)</p> <p>Note: Gaskets between chambers of cast-iron versions are always made of Tesnit® BA-U</p> <p>Shaft seal</p> <p>A: O-ring seal with fixed driver R: O-ring seal with fixed driver and reduced seal face</p> <p>Material of rotating seal face</p> <p>Q: Silicon carbide (SIC) V: Aluminium oxide (Al2O3) U: Tungsten carbide</p>	A:	Inlet and outlet parts	EN-GJL-200		Pump shaft	EN 1.4301/AISI 304		Impellers/chambers	EN 1.4301/AISI 304	G:	Sleeve	EN 1.4401/AISI 316		Pump shaft	EN 1.4401/AISI 316		Impellers/chambers	EN 1.4401/AISI 316	I:	Sleeve	EN 1.4301/AISI 304		Pump shaft	EN 1.4301/AISI 304		Impellers/chambers	EN 1.4301/AISI 304	X:	Special version		<p>Sensor</p> <p>N: No sensor</p> <p>Mains plug</p> <p>A: Prepared for cable glands B: Harting plug C: With cable D: Cable gland included</p> <p>Motor information</p> <p>A: Standard motor (IP55) B: Phase-insulated motor for use with frequency converter C: Condensing environments D: Pt100 in stator E: Angular contact bearing F: Motor heater G: Three-phase motor with overload protection H: Single-phase motor with no protection I: Radio communication not available J: IPX5</p> <p>Supply voltage</p> <p>A: 1 x 220 V, 60 Hz B: 1 x 115/230 V, 60 Hz B1: 1 x 115/230 V, 60 Hz, with terminal board C: 1 x 220-240 V, 50 Hz D: 1 x 127 V, 60 Hz E: 3 x 208-230/440-480 V, 60 Hz E1: 3 x 208-230/440-480 V, 60 Hz, with terminal board F: 3 x 220-240/380-415 V, 50 Hz G: 3 x 200/346 V, 50 Hz; 200-220/346-380 V, 60 Hz H: 3 x 575 V, 60 Hz¹⁾ I: 3 x 400 V, 50/60 Hz¹⁾ J: 3 x 380-415 V, 50 Hz; 440-480 V, 60 Hz O: 3 x 220-240/380-415 V, 50 Hz; 3 x 220-255/380-440 V, 60 Hz Q: 3 x 208-230 V, 50/60 Hz (E-motor) R: 3 x 200-230 V, 50/60 Hz (E-motor) S: 3 x 380-500 V, 50/60 Hz (E-motor) T: 3 x 440-480 V, 50/60 Hz (E-motor) U: 1 x 200-240 V, 50/60 Hz (E-motor) X: Special voltage</p> <p>Material of secondary seal</p> <p>E: EPDM (ethylene propylene) K: FFKM (perflour) V: FKM (flour)</p> <p>Material of stationary seal face</p> <p>B: Carbon, resin-impregnated Q: Silicon carbide (SIC) U: Tungsten carbide</p>
A:	Inlet and outlet parts	EN-GJL-200																													
	Pump shaft	EN 1.4301/AISI 304																													
	Impellers/chambers	EN 1.4301/AISI 304																													
G:	Sleeve	EN 1.4401/AISI 316																													
	Pump shaft	EN 1.4401/AISI 316																													
	Impellers/chambers	EN 1.4401/AISI 316																													
I:	Sleeve	EN 1.4301/AISI 304																													
	Pump shaft	EN 1.4301/AISI 304																													
	Impellers/chambers	EN 1.4301/AISI 304																													
X:	Special version																														

¹⁾ Only available with IE2 efficiency motors.

Note: The type key cannot be used for ordering as not all combinations are possible.

6. Product range

CM, CME

Pump type	50 Hz			60 Hz			Shaft seal	Mains-operated motor						Electronically speed-controlled motor											
	Material			Material				50 Hz	60 Hz			50/60 Hz			Voltage [V]										
	Voltage [V]			Voltage [V]				Voltage [V]			Voltage [V]														
	Voltage [V]			Voltage [V]				Voltage [V]			Voltage [V]														
	Cast iron EN-GJL-200 (CM-A)	Stainless steel EN 1.4301/AISI 304 (CM-I)	Stainless steel EN 1.4401/AISI 316 (CM-G)	Cast iron EN-GJL-200 (CM-A)	Stainless steel EN 1.4301/AISI 304 (CM-I)	Stainless steel EN 1.4401/AISI 316 (CM-G)	AVBE, AVBV	AAQE, AQQV, AQBE, AQBV, AQQK	RUUE, RUUV	1 x 220-240 V (supply voltage C)	3 x 220-240/380-415 V (supply voltage F)	1 x 220 V (supply voltage A)	1 x 115/230 V (supply voltage B/B1) ⁴⁾	1 x 127 V (supply voltage D) ¹⁾	3 x 208-230/440-480 V (supply voltage E/E1) ⁴⁾	3 x 575 V (supply voltage H) ⁵⁾	3 x 220-240/380-415 V, (50 Hz)/ 3 x 220-255/380-440 V, (60 Hz) (supply voltage O)	3 x 380-415 V, (50 Hz)/ 3 x 440-480 V, (60 Hz) (supply voltage J)	3 x 200 V/346 V, (50 Hz) 3 x 200-220/346-380 V, (60 Hz) (supply voltage G)	3 x 400 V, (50/60 Hz) (supply voltage I) ⁵⁾	3 x 200-230 V, 50/60 Hz (supply voltage R)	3 x 208-230 V, 50/60 Hz (supply voltage Q)	3 x 380-500 V, (50/60 Hz) (supply voltage S)	3 x 440-480 V, (50/60 Hz) (supply voltage T)	1 x 200-240 V, (50/60 Hz) (supply voltage U)
CM 1-2	•	•	•	•	•	•	•	•	•	•	•	•	•	•	•	•	•	•	•	•	•	•	•	•	•
CM 1-3	•	•	•	•	•	•	•	•	•	•	•	•	•	•	•	•	•	•	•	•	•	•	•	•	•
CM 1-4	•	•	•	•	•	•	•	•	•	•	•	•	•	•	•	•	•	•	•	•	•	•	•	•	•
CM 1-5	•	•	•	•	•	•	•	•	•	•	•	•	•	•	•	•	•	•	•	•	•	•	•	•	•
CM 1-6	•	•	•	•	•	•	•	•	•	•	•	•	•	•	•	•	•	•	•	•	•	•	•	•	•
CM 1-7	•	•	•	•	•	•	•	•	•	•	•	•	•	•	•	•	•	•	•	•	•	•	•	•	•
CM 1-8	•	•	•	•	•	•	• ²⁾	•	•	•	•	•	•	•	•	•	•	•	•	•	•	•	•	•	•
CM 1-9	•	•	•	•	•	•	• ²⁾	•	•	•	•	•	•	•	•	•	•	•	•	•	•	•	•	•	•
CM 1-10	•	•	•	•	•	•	• ²⁾	•	•	•	•	•	•	•	•	•	•	•	•	•	•	•	•	•	•
CM 1-11	•	•	•	•	•	•	•	• ³⁾	•	•	•	•	•	•	•	•	•	•	•	•	•	•	•	•	•
CM 1-12	•	•	•	•	•	•	•	• ³⁾	•	•	•	•	•	•	•	•	•	•	•	•	•	•	•	•	•
CM 1-13	•	•	•	•	•	•	•	• ³⁾	•	•	•	•	•	•	•	•	•	•	•	•	•	•	•	•	•
CM 1-14	•	•	•	•	•	•	•	• ³⁾	•	•	•	•	•	•	•	•	•	•	•	•	•	•	•	•	•
CM 3-2	•	•	•	•	•	•	•	•	•	•	•	•	•	•	•	•	•	•	•	•	•	•	•	•	•
CM 3-3	•	•	•	•	•	•	•	•	•	•	•	•	•	•	•	•	•	•	•	•	•	•	•	•	•
CM 3-4	•	•	•	•	•	•	•	•	•	•	•	•	•	•	•	•	•	•	•	•	•	•	•	•	•
CM 3-5	•	•	•	•	•	•	•	•	• ²⁾	•	•	•	•	•	•	•	•	•	•	•	•	•	•	•	•
CM 3-6	•	•	•	•	•	•	•	•	• ²⁾	•	•	•	•	•	•	•	•	•	•	•	•	•	•	•	•
CM 3-7	•	•	•	•	•	•	•	•	•	•	•	•	•	•	•	•	•	•	•	•	•	•	•	•	•
CM 3-8	•	•	•	•	•	•	•	•	• ²⁾	•	•	•	•	•	•	•	•	•	•	•	•	•	•	•	•
CM 3-9	•	•	•	•	•	•	•	•	• ²⁾	•	•	•	•	•	•	•	•	•	•	•	•	•	•	•	•
CM 3-10	•	•	•	•	•	•	•	•	• ²⁾	•	•	•	•	•	•	•	•	•	•	•	•	•	•	•	•
CM 3-11	•	•	•	•	•	•	•	•	•	•	•	•	•	•	•	•	•	•	•	•	•	•	•	•	•
CM 3-12	•	•	•	•	•	•	•	•	•	•	•	•	•	•	•	•	•	•	•	•	•	•	•	•	•
CM 3-13	•	•	•	•	•	•	•	•	•	•	•	•	•	•	•	•	•	•	•	•	•	•	•	•	•
CM 3-14	•	•	•	•	•	•	•	•	•	•	•	•	•	•	•	•	•	•	•	•	•	•	•	•	•

1) On request.
 2) Neither suitable for 60 Hz mains-operated pumps, nor for CME pumps running at 100 % speed.
 3) Not suitable for pumping liquids at temperatures above 90 °C.
 4) Pumps with supply voltages B and E are supplied for wire connection without terminal board inside the terminal box (flying wires). Pumps with supply voltages B1 and E1 are supplied with terminal board inside the terminal box.
 5) Only available with IE2-compliant motors and cannot be exported to the USA.

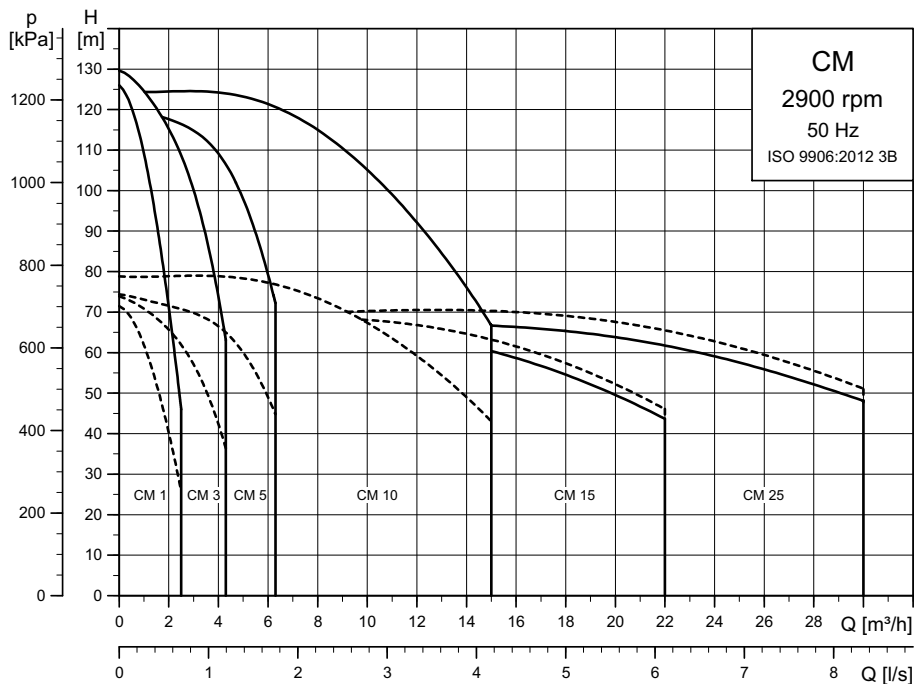
CM self-priming

Pump type	Max. suction lift		Material	Shaft seal		Supply voltage										
						Mains-operated motor										
	4 metres	8 metres				50 Hz		60 Hz					50/60 Hz			
			Stainless steel EN 1.4301/AISI 304 (CM-I)	AVBE/AQQE	AVBV/AQQV	1 x 220-240 V (supply voltage C)	3 x 220-240/380-415 V (supply voltage F)	1 x 220 V (supply voltage A)	1 x 115/230 V (supply voltage B/B1)	1 x 127 V (supply voltage D)	3 x 208-230/440-480 V (supply voltage E/E1)	3 x 575 V (supply voltage H)	3 x 220-240/380-415 V (50 Hz) / 3 x 220-255/380-440 V (60 Hz) (supply voltage O)	3 x 380-415 V (50 Hz) / 3 x 440-480 V (60 Hz) (supply voltage J)	3 x 200 V/346 V (50 Hz); 3 x 200-220/346-380 V (60 Hz) (supply voltage G)	3 x 400 V (50/60 Hz) (supply voltage I)
CM 1-3	•	-	•	•	○	•	○	•	○	○	○	○	○	○	○	○
CM 1-4	•	-	•	•	○	•	○	•	○	○	○	○	○	○	○	○
CM 1-5	•	-	•	•	○	•	○	•	○	○	○	○	○	○	○	○
CM 1-6	•	-	•	•	○	•	○	•	○	○	○	○	○	○	○	○
CM 3-3	•	•	•	•	○	•	○	•	○	○	○	○	○	○	○	○
CM 3-4	•	•	•	•	○	•	○	•	○	○	○	○	○	○	○	○
CM 3-5	•	•	•	•	○	•	○	•	○	○	○	○	○	○	○	○
CM 3-6	•	•	•	•	○	•	○	•	○	○	○	○	○	○	○	○
CM 5-3	•	•	•	•	○	•	○	•	○	○	○	○	○	○	○	○
CM 5-4	•	•	•	•	○	•	○	•	○	○	○	○	○	○	○	○
CM 5-5	•	•	•	•	○	•	○	•	○	○	○	○	○	○	○	○
CM 5-6	•	•	•	•	○	•	○	-	-	-	○	○	○	○	○	○
CM 5-7	•	•	•	•	○	•	○	-	-	-	○	○	○	○	○	○

- Available as standard
- Available on request
- Not available

7. Performance range

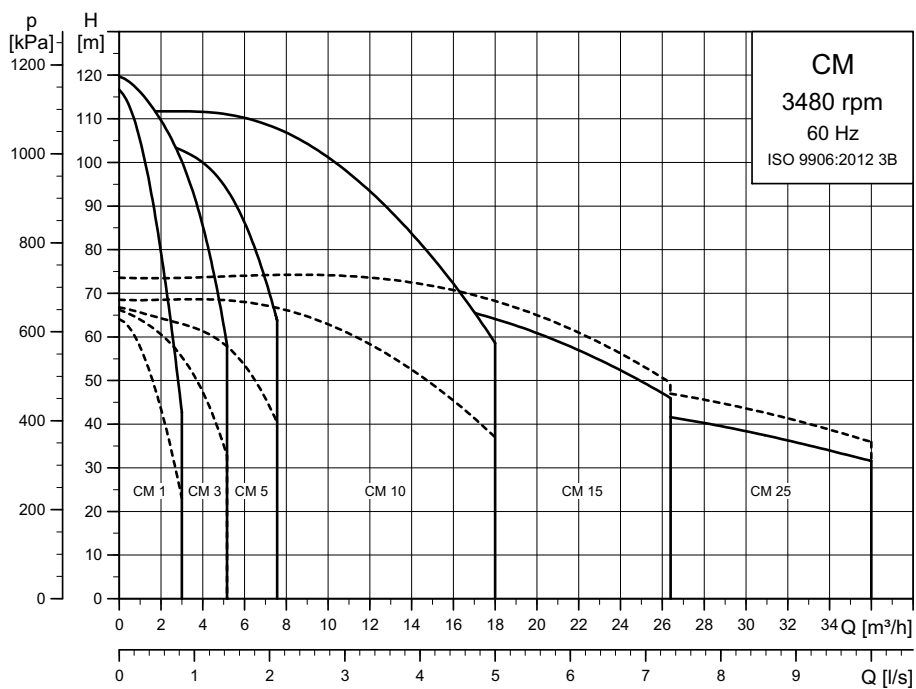
CM, 50 Hz



----- CM-A
———— CM-I/G

TM04 3340 4616

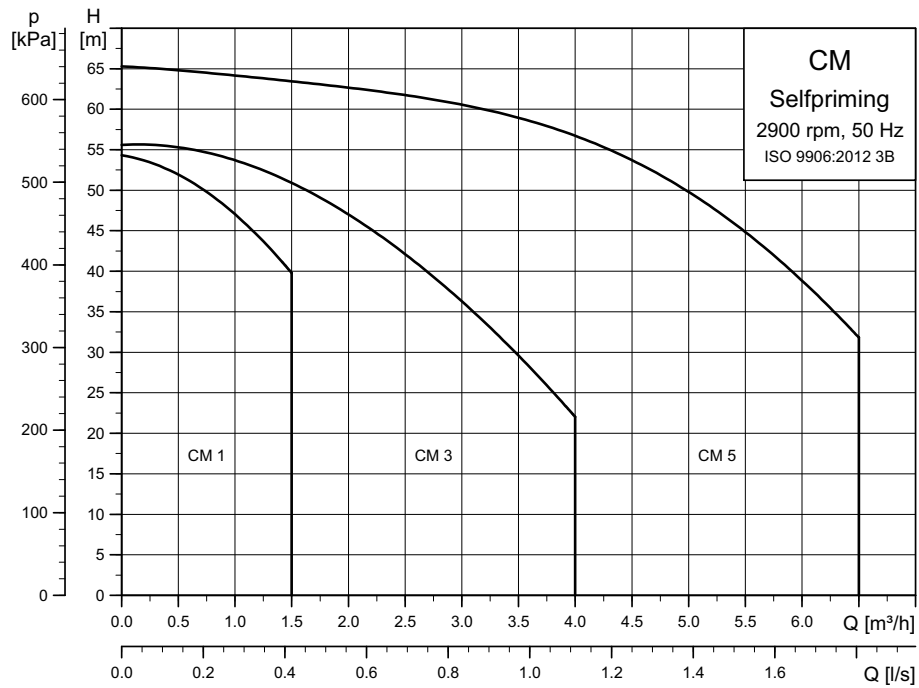
CM, 60 Hz



----- CM-A
———— CM-I/G

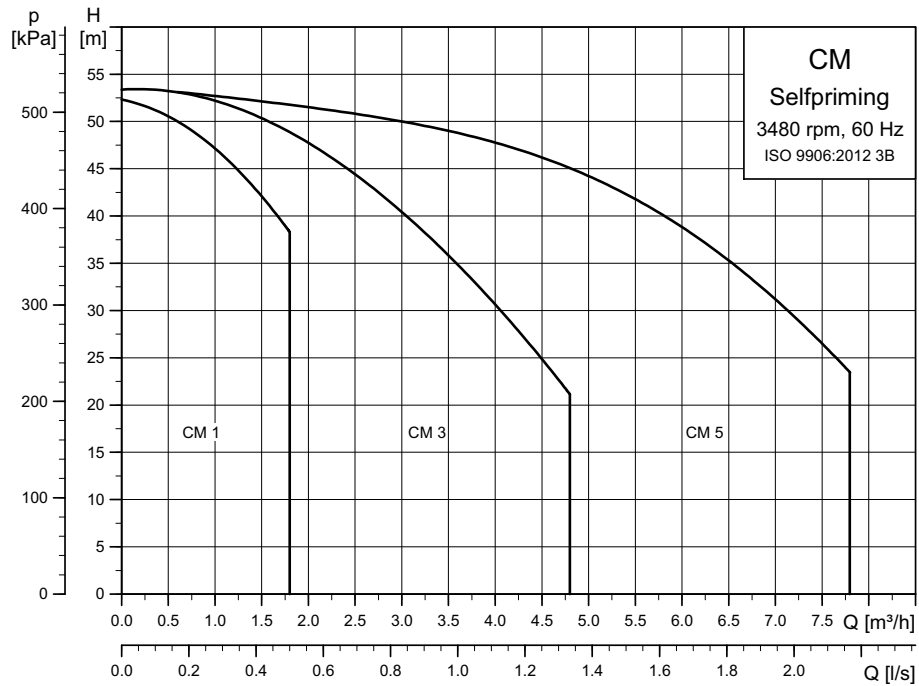
TM04 3369 4616

CM self-priming, 50 Hz



TM05 8834 4616

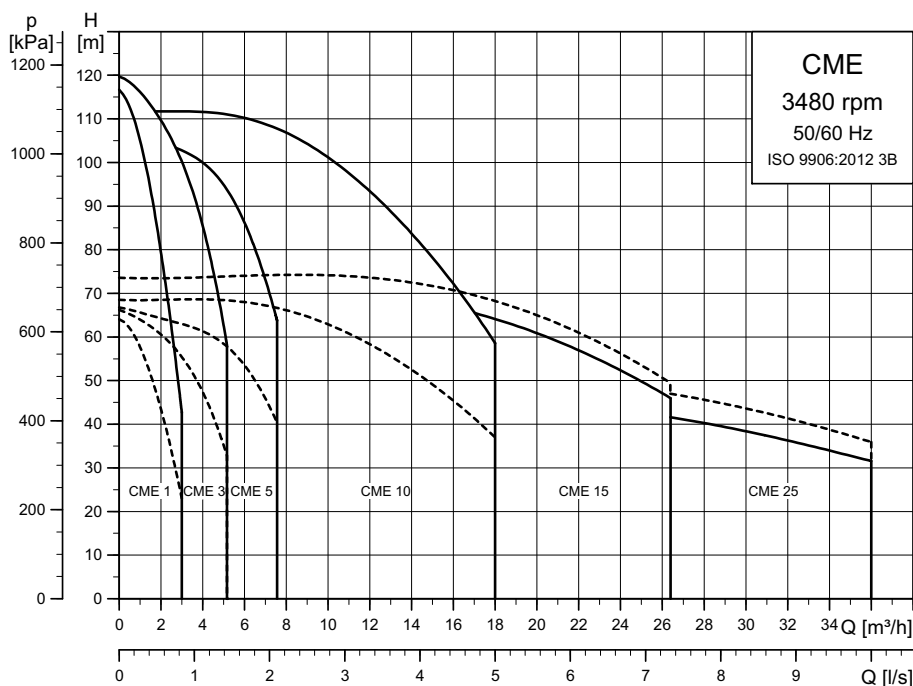
CM self-priming, 60 Hz



TM05 8835 4616

CME, 50/60 Hz

Supply voltages S, T, U



TM04 3568 5112

EuP ready

The CM, CME pumps are energy-optimised and comply with the EuP Directive (Commission Regulation (EC) No 547/2012) which has been effective since 1 January 2013. As from this date, all pumps will be classified/graduated in a new energy efficiency index (MEI).

Minimum efficiency index

Minimum efficiency index (MEI) means the dimensionless scale unit for hydraulic pump efficiency at best efficiency point (BEP), part load (PL) and overload (OL). The Commission Regulation (EU) sets efficiency requirements to $MEI \geq 0.40$ as from 1 January 2015. An indicative benchmark for best-performing water pump available on the market as from 1 January 2013 is determined in the Regulation.

- The benchmark for most efficient water pumps is $MEI \geq 0.70$.
- The efficiency of a pump with a trimmed impeller is usually lower than that of a pump with the full impeller diameter. The trimming of the impeller will adapt the pump to a fixed duty point, leading to reduced energy consumption. The minimum efficiency index (MEI) is based on the full impeller diameter.

- The operation of this water pump with variable duty points may be more efficient and economic when controlled, for example, by the use of a variable-speed drive that matches the pump duty to the system.
- Information on benchmark efficiency is available at <http://europump.eu/efficiencycharts>.

Pump type	MEI	Efficiency at best efficiency point [%]
CM, CME 1 A	0.70	37.1
CM, CME 1 I/G	0.68	36.4
CM, CME 3 A	0.70	50.6
CM, CME 3 I/G	0.70	49.3
CM, CME 5 A	0.70	53.3
CM, CME 5 I/G	0.70	52.1
CM, CME 10 A	0.70	62.2
CM, CME 10 I/G	0.52	57.9
CM, CME 15 A	0.70	67.5
CM, CME 15 I/G	0.59	63.1
CM, CME 25 A	0.70	68.3
CM, CME 25 I/G	0.41	63.8

8. Operating conditions

Ambient temperature

The maximum ambient temperature depends on the liquid temperature. The table below shows the temperature limits of CM and CME pumps.

Note: The maximum permissible liquid temperature for CM-A and CME-A is 90 °C.

Maximum ambient temperature [°C]	Minimum ambient temperature [°C]	Liquid temperature [°C]	Pump type		
			CM	CM self-priming	CME ¹⁾
55 °C		60 °C	•	•	-
55 °C		90 °C	•	-	-
50 °C	-20 °C	100 °C ¹⁾	•	-	•
45 °C		110 °C ¹⁾	•	-	•
40 °C		120 °C ¹⁾	•	-	•

¹⁾ CME (supply voltages S, T, U)

CM mains-operated motors

If the ambient temperature for CM pumps exceeds 55 °C, the motor must not be fully loaded due to the risk of overheating.

In such cases, it may be necessary to derate the motor output or use an oversize motor with higher rated output. The CM pumps can be derated in relation to ambient temperature without consequence. Contact Grundfos for further information.

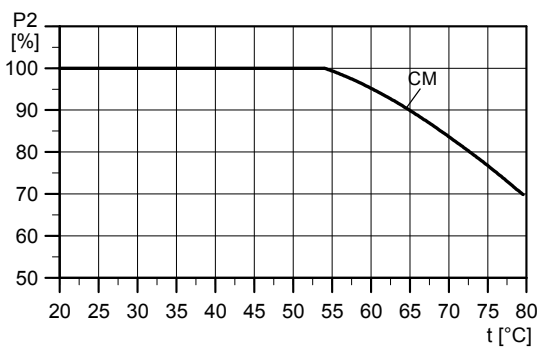


Fig. 9 Derating of CM pump, in relation to ambient temperature

TM05 7630 1313

CME speed-controlled motors

The electronics incorporated in the CME pumps is limiting the maximum ambient temperature. This means that the maximum ambient temperature must not be exceeded. If the pump is operated at temperatures exceeding the maximum ambient temperature, the motor life will be reduced.

Maximum ambient temperature

CME, supply voltages S, T, U:

50 °C.

CME 0.37 to 7.5 kW, supply voltages Q, R:

40 °C.

Note: You can operate the new-generation CME pumps at 60 °C as well. In such case, contact Grundfos for further information.

Storage and transport temperature

-30 to +60 °C.

Installation altitude

Installation altitude is the height above sea level of the installation site. Motors installed at maximum altitude can be loaded 100 %. Motors installed above maximum altitude must not be fully loaded due to the low density and consequently low cooling effect of the air.

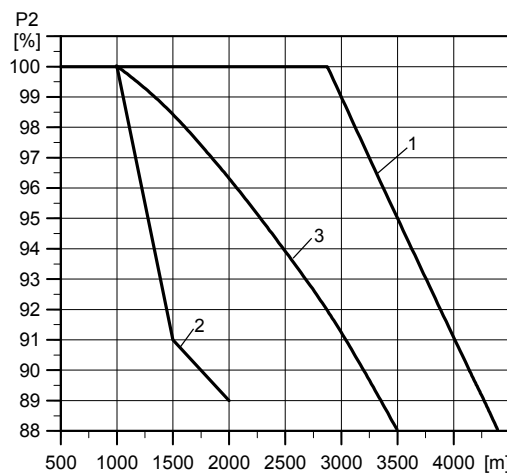


Fig. 10 Relationship between motor output (P₂) and altitude

TM05 7631 1313

Pos.	Pump type	Voltage type
1	CM	All
2	CME	S, T, U
3	CME	Q, R

Installation of pump

The pump must be installed on a plane surface and fixed so that it cannot be displaced during startup and operation.

Installation of CM and CME pumps

The pump must be installed so that air locks are avoided in the pump housing and pipework. Figure 11 shows the permissible pump positions.

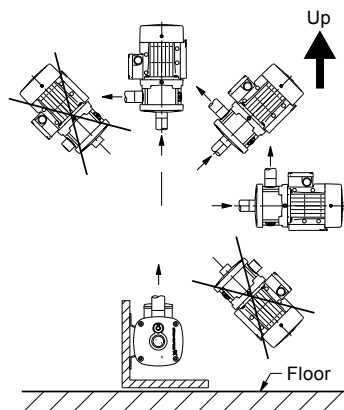


Fig. 11 Positions of CM and CME pumps

TM03 8773 2810

Installation of CM self-priming pumps

Install the pump so that the inlet is horizontal. Figure 12 shows the permissible pump positions.

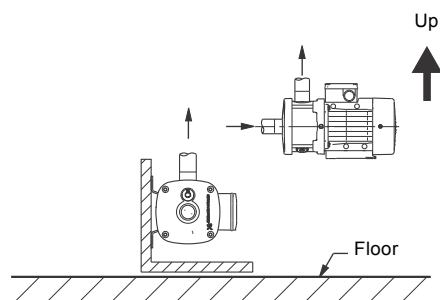


Fig. 12 Positions of CM self-priming pumps

TM05 8905 2514

Install the pump with easy access for inspection, maintenance and service.

Install the pump in a well-ventilated location.

Maximum operating pressure and permissible liquid temperature

The maximum operating pressure and the permissible liquid temperature depend on the pump material, the type of shaft seal and the pumped liquid.

CM, CME pumps

Material variant	Shaft seal	Permissible liquid temperature ¹⁾ [°C]	Maximum operating pressure [bar]
Cast iron (EN-GJL-200)	AVBx	-20 - 40 41-90	10 6
	AQQx/ AQBx	-20 - 90	10
	RUUx	-20 - 60	6
Stainless steel (EN 1.4301/AISI 304)	AVBx	-20 - 40 41-90	10 6
	AQQx/ AQBx	-20 ²⁾ - 90 91-120	16 10
	RUUx	-20 - 60	6
Stainless steel (EN 1.4401/AISI 316)	AVBx	-20 - 40 41-90	10 6
	AQQx/ AQBx	-20 ²⁾ - 90 91-120	16 10
	RUUx	-20 - +60	6

CM self-priming pumps

Material variant	Shaft seal	Permissible liquid temperature ¹⁾ [°C]	Max. operating pressure [bar]
Stainless steel (EN 1.4301/AISI 304)	AVBx	0-40 41-60	10 6
	AQQx	0-60	16

¹⁾ At liquid temperatures below 0 °C (32 °F), higher motor outputs may be needed due to increased viscosity, for instance if glycol has been added to the water.

²⁾ CM-I, -G and CME-I, -G pumps for liquid temperatures below -20 °C are available on request. Please contact Grundfos.

Maximum liquid temperature change gradient

Cast-iron pumps (CM-A, CME-A) should not be used in applications where rapid temperature changes of more than 45 °C may occur. If exposed to such rapid temperature changes, a cast-iron pump may leak.

Under such operating conditions, we recommend to use stainless-steel pumps (CM-I, -G and CME-I, -G).

Liquid temperature range

O-ring material/liquid	Permissible liquid temperature [°C]
EPDM	-20 - 120
FFKM	0-120
FKM/liquids containing water	-20 - 90
FKM/oil without water	-20 - 120

Frequency of starts and stops

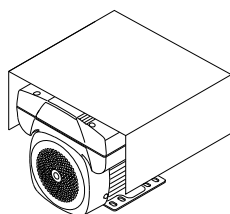
Maximum 100 per hour.

Operation in condensing environments

If the liquid temperature becomes lower than the ambient temperature, condensation may form in the motor during inactivity. In such cases, a motor suited for condensing environments must be used, e.g. an IPX5 motor (available from Grundfos).

Alternatively, you can open the bottom drain hole in the motor flange by removing the plug. The enclosure class of the motor is then reduced to IPX5. Removing the plug helps prevent condensation in the motor as it will make the motor self-venting and allow water and humid air to escape.

When installing CM and CME pumps outdoors, provide them with a suitable cover to protect them from build-up of condensed water. See fig. 13.



TM04 5799 4009

Fig. 13 CME pump with protective cover

Motors in outdoor installations radiate heat to and absorb heat from their surroundings. By day, a stopped motor will absorb more heat than it radiates; by night, especially clear nights, radiation from a stopped motor may be so high that the surface temperature drops a few degrees below the air temperature. This may cause the formation of condensation. Condensation on the inner surfaces may result in moisture on the electronic components, including the printed-circuit boards, which means a risk of failure or even destruction of the motor and electronics.

Furthermore, the cover protects the motor against direct sunlight.

Environmental rating

Three-phase CME motors hold a UL NEMA 3R environmental rating.

Single-phase CME motors have not been tested against the UL NEMA environmental rating.

All motors are IP55.

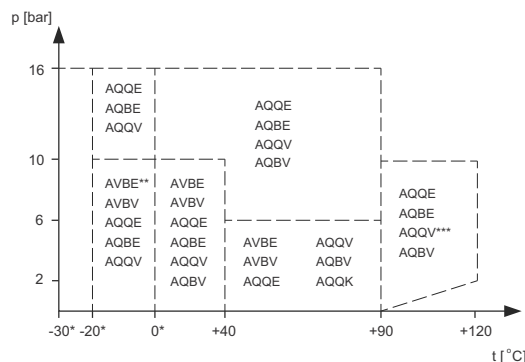
Operating range of the shaft seal

The operating range of the shaft seal depends on operating pressure, type of shaft seal and liquid temperature.

The curve in fig. 14 shows which shaft seals are suitable at a given temperature and a given pressure. The curve applies to clean water.

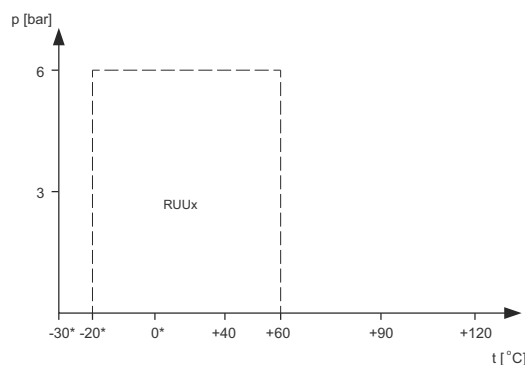
For other pumped liquids, concentrations and temperatures, please visit the Grundfos Product Center liquids section >

<http://product-selection.grundfos.com/liquids.html>



TM05 7521 1113

Fig. 14 Curve for the selection of AQQx, AQBx and AVBx shaft seals



TM06 2049 3614

Fig. 15 Curve for RUUx shaft seal

* Antifreeze should be added at liquid temperatures below 0 °C.
 ** CM and CME pumps for liquid temperatures below -20 °C are available on request. Please contact Grundfos.
 *** AQQV/AQBV above 90 °C only in media not containing water.

Shaft seal run-in

The seal faces are lubricated by the pumped liquid, meaning that there may be a certain amount of leakage from the shaft seal.

When the pump is started up for the first time, or when a new shaft seal is installed, a certain run-in period is required before the leakage is reduced to an acceptable level. The time required for this depends on the operating conditions, i.e. every time the operating conditions change, a new run-in period will be started.

Under normal conditions, the leaking liquid will evaporate. As a result, no leakage will be detected.

However, liquids such as kerosene will not evaporate. The leakage may therefore be seen as a shaft seal failure.

Viscosity

The pumping of liquids with densities or kinematic viscosities higher than those of water will cause a considerable pressure drop, a drop in the hydraulic performance and a rise in the power consumption.

For instance at liquid temperatures below 0 °C (32 °F), higher motor outputs may be needed due to increased viscosity if glycol has been added to the water.

In such situations, the pump should be fitted with a larger motor. If in doubt, contact Grundfos or visit the Grundfos Product Center >

<http://product-selection.grundfos.com/>.

Sound pressure level

The sound pressure values in the table below apply for CM pumps. If the motor output (P2) for a given pump is not found in the table, use the nearest rounded-up value. The values for sound pressure include a tolerance of 3 dB(A) according to EN ISO 4871.

P ₂ [kW]	50 Hz		60 Hz
	L _{pA} [dB(A)]	L _{pA} [dB(A)]	L _{pA} [dB(A)]
0.37	50		54
0.55	49		53
0.75	49		54
1.1	54		49
1.5	54		59
2.2	56		60
3.0	55		60
4.0	59		64
5.5	59		64
7.5	60		65

The audible noise from CM pumps is primarily noise from the motor fan. The selection of CME pumps will reduce the noise at partial load, as the motor, and consequently, the motor fan runs at a lower speed. Possible flow noise from control valves is also reduced at partial load in the case of the CME pump.

Minimum inlet pressure, NPSH

Grundfos recommends that you calculate the inlet pressure "H" in these situations:

- The liquid temperature is high.
- The flow is significantly higher than the rated flow.
- Water is drawn from depths.
- Water is drawn through long pipes.
- Inlet conditions are poor.

To avoid cavitation, make sure that there is a minimum pressure on the suction side of the pump. The maximum suction lift "H" in metres head can be calculated as follows:

$$H = p_b \times 10.2 - \text{NPSH} - H_f - H_v - H_s$$

p _b	=	Barometric pressure in bar. (Barometric pressure can be set to 1 bar). In closed systems, p _b indicates the system pressure in bar.
NPSH	=	Net Positive Suction Head in metres head. (To be read from the NPSH curve at the highest flow the pump will be delivering).
H _f	=	Friction loss in suction pipe in metres head. (At the highest flow the pump will be delivering).
H _v	=	Vapour pressure in metres head. (To be read from the vapour pressure scale, "H _v " depends on the liquid temperature "T _m ").
H _s	=	Safety margin = minimum 0.5 metres head.

If the "H" calculated is positive, the pump can operate at a suction lift of maximum "H" metres head.

If the "H" calculated is negative, an inlet pressure of minimum "H" metres head is required.

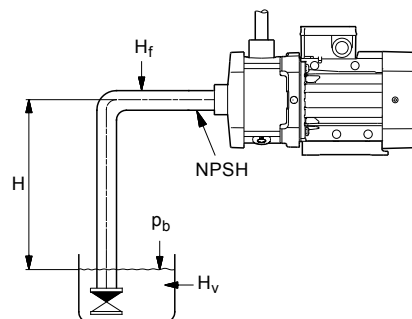


Fig. 16 Minimum inlet pressure (NPSH)

Note: To avoid cavitation, never select a pump with a duty point too far to the right on the NPSH curve.

Always check the NPSH value of the pump at the highest possible flow.

Note: NPSH must also be observed and calculated for CM self-priming pumps.

TM04 3487 4508

9. Construction

Pump

The Grundfos CM and CME pumps are horizontal, multistage, end-suction centrifugal pumps. The pumps are of the close-coupled type and are available as either self-priming or non-self-priming pumps. The pumps have an axial inlet port and a radial discharge port and are mounted on a base plate.

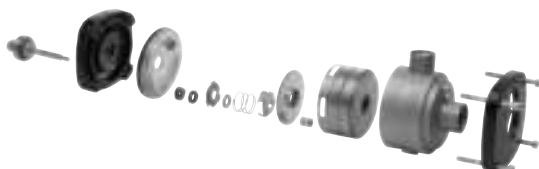
All movable parts are made of stainless steel.

Self priming pumps are fitted with an internal water trap and an internal valve, both of which are mainly made of a composite material.

You find the sectional drawings on pages 25 to 27.

The pumps are available with mains-operated motors (CM pumps) and electronically speed-controlled motors (CME pumps).

All pumps incorporate a maintenance-free mechanical O-ring shaft seal with fixed driver.



TM05 1130 2211

Fig. 17 CM and CME pump hydraulics

Motor

CM and CME pumps are fitted with totally enclosed, fan-cooled, 2-pole motors with principal dimensions to EN 50347. The motors have been developed especially for CM and CME pumps.

Electrical tolerances comply with EN 60034.

Single-phase CME pumps are available from 0.37 to 1.5 kW.

Three-phase CME pumps are available from 0.37 to 7.5 kW.

Soft starter

Soft starters are only to be used for three-phase motors.

Efficiency

Motors for CM and CME pumps comply with different energy-efficiency requirements throughout the world, for example the European Ecodesign.

For China, motors with CCC and CEL marking are available.

Generally, this means that all three-phase motors of 0.75 kW and up are IE3-compliant as standard.

MGE motors

The motor is energy efficiency class IE5 according to IEC60034-30-2. In combination with the integrated frequency converter, the combined power drive system is efficiency class IES2 according to IEC50598-2.

Electrical data

Insulation class	F
Enclosure class	IP55*
	CM
	1 x 220 V, 60 Hz
	1 x 115/230 V, 60 Hz
	1 x 220-240 V, 50 Hz
	1 x 127 V, 60 Hz
	3 x 208-230/440-480 V, 60 Hz
	3 x 220-240/380-415 V, 50 Hz
	3 x 200/346 V, 50 Hz; 200-220/346-380 V, 60 Hz
	3 x 575 V, 60 Hz
	3 x 400 V, 50/60 Hz
Supply voltages (tolerance $\pm 10\%$)	3 x 380-415 V, 50 Hz; 440-480 V, 60 Hz
	3 x 220-240/380-415 V, 50 Hz
	3 x 220-255/380-440 V, 60 Hz
	CME
	1 x 200-240 V, 50/60 Hz
	1 x 208-230 V, 50/60 Hz
	3 x 208-230 V, 50/60 Hz
	3 x 200-230 V, 50/60 Hz
	3 x 380-500 V, 50/60 Hz
	3 x 440-480 V, 50/60 Hz

* IP55 is not recommended for operation in condensing environments.
For operation in such environments, see *Operation in condensing environments* on page 21.

Motor protection

Mains-operated motors (CM)

Single-phase motors, 1 x 115/230 V, 60 Hz, do not incorporate motor protection and must be connected to a motor-protective circuit breaker which can be manually reset. Set the motor-protective circuit breaker according to the rated current of the motor ($I_{1/1}$). See the nameplate.

Other single-phase motors have built-in current- and temperature-dependent motor protection in accordance with IEC 60034-11 and require no further motor protection. The motor protection reacts to both slow- and quick-rising temperatures. The motor protection is automatically reset.

Three-phase motors up to 3 kW must be connected to a motor-protective circuit breaker which can be manually reset. Set the motor-protective circuit breaker according to the rated current of the motor ($I_{1/1}$). See the nameplate. Motors with power ratings of 3 kW and up have built-in thermistors (PTC)*. The thermistors are designed according to DIN 44082. The motor protection reacts to both slow- and quick-rising temperatures.

* Applies only to supply voltages F, G and O. Motors for other supply voltages must be connected to a motor-protective circuit breaker as described for three-phase motors up to 3 kW.

Electronically speed-controlled motors (CME)

CME pumps require no external motor protection. The MGE motor incorporates thermal protection against steady overload and stalled condition (IEC 34-11).

Frequency converter operation

All three-phase motors can be connected to a frequency converter. Depending on the frequency converter type, this may cause increased acoustic noise from the motor. Furthermore, it may cause the motor to be exposed to detrimental voltage peaks.

Single-phase motors must not be connected to a frequency converter.

As standard MG 71- and MG 80-based motors have no phase insulation and must therefore be protected against voltage peaks higher than 650 V (peak value) between the supply terminals.

Note: MG 71- and MG 80-based motors with phase insulation are available on request.

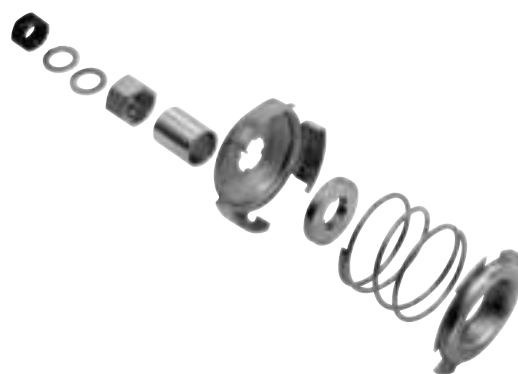
The above disturbances, i.e. both increased acoustic noise and detrimental voltage peaks, can be eliminated by fitting an LC filter between the frequency converter and the motor.

For further information, please contact the frequency converter supplier or Grundfos.

Shaft seal

The shaft seal for the CM and CME pumps is of the O-ring type, which makes it very flexible when different types of O-rings and seal-face materials are needed. The shaft seal has a fixed seal driver which ensures a reliable rotation of all parts - even under the most extreme operating conditions.

Due to the special design of the shaft seal and the interfaces to the rest of the pump construction, the dry-running capabilities are improved significantly compared to most other similar shaft seals and pump types. Furthermore, improvements have been made to reduce the risk and effect of sticking. The shaft seal types available can be found in *Selection of CME pumps* on page 37 where the key parameters of selecting a shaft seal are also described.



TM05 1131 2211

Fig. 18 Exploded view of shaft seal

Note: The available shaft seals for CM and CME pumps are very robust and durable, but dry running must always be avoided.

Details regarding operating conditions for the shaft seal can be found in *Operating range of the shaft seal* on page 21.

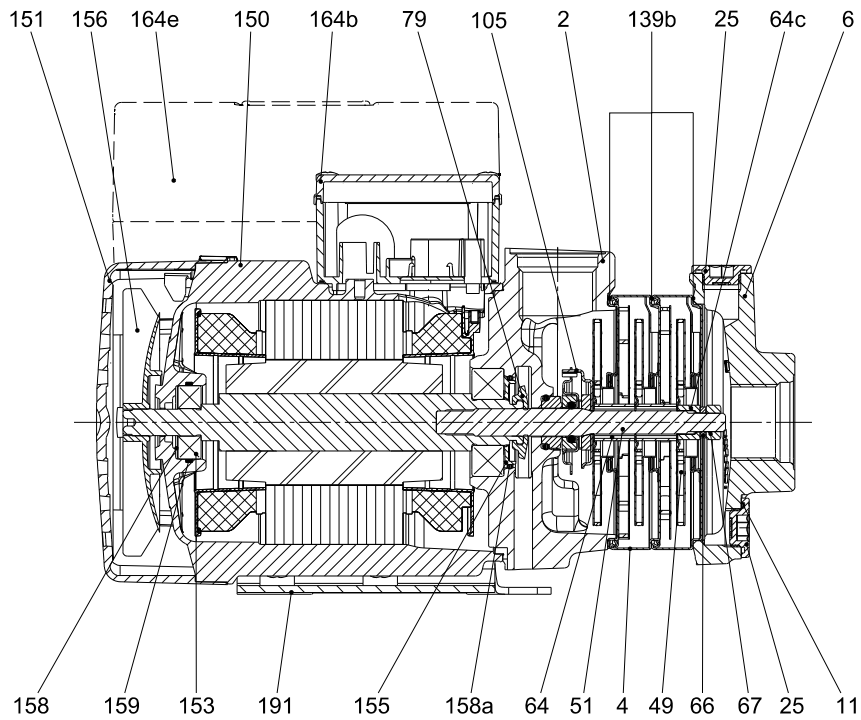
Further information about the shaft seal can be found in the separate book covering shaft seals which can be ordered from Grundfos.

Title	Publication number
Mechanical shaft seals for pumps	97506935

CM(E) 1-A

(A = cast iron EN-GJL-200)

Sectional drawing



TM04 3723 3809

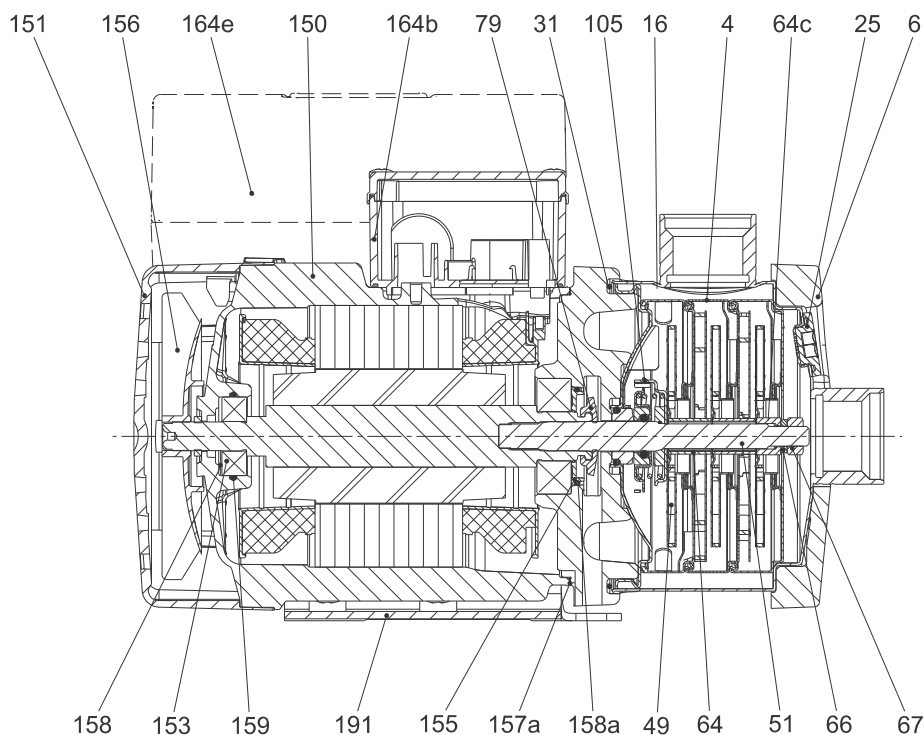
Fig. 19 CM(E) 1-3 with MG(E) 71 motor

Components

Pos.	Component	Pos.	Component	Pos.	Component
2	Discharge part	64c	Clamp	153	Ball bearing
4	Chamber	66	Washer (NORD-LOCK)	155	Bearing cover plate
6	Inlet part	67	Nut	156	Fan
11	O-ring	79	Diverting disc	158	Corrugated spring
25	Plug	105	Shaft seal	158a	O-ring
49	Impeller	139b	Gasket	159	O-ring
51	Pump shaft	150	Stator housing	164b, 164e	Terminal box
64	Spacing pipe	151	Fan cover	191	Base plate

CM(E) 1-I and CM(E) 1-G

(I = EN 1.4301/AISI 304 and G = EN 1.4401/AISI 316)

Sectional drawing

TM04 3722 3809

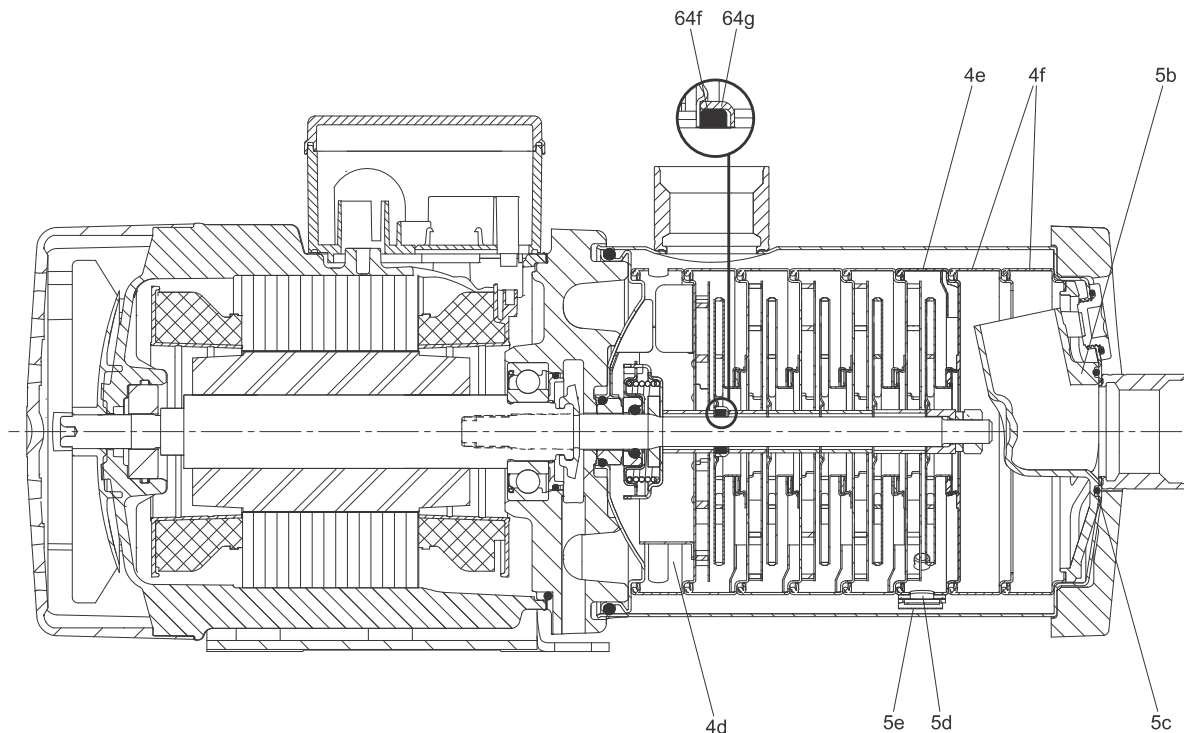
Fig. 20 CM(E) 1-3 with MG(E) 71 motor**Components**

Pos.	Component	Pos.	Component	Pos.	Component
4	Chamber	64c	Clamp	155	Bearing cover plate
6	Flange	66	Washer (NORD-LOCK)	156	Fan
16	Sleeve	67	Nut	157a	Gasket
25	Plug	79	Diverting disc	158	Corrugated spring
31	O-ring	105	Shaft seal	158a	O-ring
49	Impeller	150	Stator housing	159	O-ring
51	Pump shaft	151	Fan cover	164b, 164e	Terminal box
64	Spacing pipe	153	Ball bearing	191	Base plate

CM self-priming

(Stainless steel: I = EN 1.4301/AISI 304 and G = EN 1.4401/AISI 316)

Sectional drawing



TM05 8874 2813

Fig. 21 CM 1-3 (self-priming version)

Components

Pos.	Description	Material
4d	Chamber complete with ribs and vanes	Stainless steel (EN 1.4301/AISI 304)
4e	Chamber with recirculation hole	Stainless steel (EN 1.4301/AISI 304)
4f	Empty chambers	Stainless steel (EN 1.4301/AISI 304)
5b	Syphon	Composite (Noryl 731s-701-1977)
5c	O-ring	EPDM
5d	Base for valve	Composite (Noryl 731s-701-1977)
5e	Spring plate	Stainless steel (EN 1.4310/AISI 301)
64f	Rubber seal	EPDM
64g	Container for rubber seal	Stainless steel (EN 1.4301/AISI 304)

Material specification

Pos.	Description	Material	Pump material version					
			Cast iron (EN-GJL-200)		Stainless steel (EN 1.4301/AISI 304)		Stainless steel (EN 1.4401/AISI 316)	
			EN	ISO/AISI/ASTM	EN	ISO/AISI/ASTM	EN	ISO/AISI/ASTM
Motor parts								
156b	Motor flange	Cast iron						
150	Stator housing	Silumin (Alu)						
151	Fan cover	Composite PBT/PC						
153	Ball bearing							
156	Fan	Composite PA 66 30 % GF						
158	Corrugated spring	Steel						
164b	Terminal box, MG	Composite PC/ASA or silumin (Alu)						
164e	Terminal box, MGE							
191	Base plate	Steel, electrocoated	1.0330.3		1.0330.3			
		Steel, powder-coated, 60 to 120 µ, NCS 7005					1.0330.3	
79	Diverting disc	Silicone fluid (LSR)						
155	Bearing cover plate	PPS						
Pump parts								
105	Shaft seal, steel parts	Stainless steel	1.4301/ 1.4401 ¹⁾	AISI 304/ AISI 316 ¹⁾	1.4301/ 1.4401 ¹⁾	AISI 304/ AISI 316 ¹⁾	1.4401	AISI 316
	Shaft seal, seal faces	Al ₂ O ₃ /carbon or SiC						
51	Pump shaft	Stainless steel	1.4301	AISI 304	1.4301/ 1.4401 ¹⁾	AISI 304/ AISI 316 ¹⁾	1.4401	AISI 316
11 31 ³⁾ 158a 159	O-rings	EPDM, FKM or FFKM						
157a ³⁾	Gasket	Paper						
139b ⁴⁾	Gasket	Aramide fibres (nbr)						
2 ⁴⁾	Discharge part	Cast iron						
6 ⁴⁾	Inlet part	Cast iron						
4	Chamber	Stainless steel	1.4301/ 1.4401 ¹⁾	AISI 304/ AISI 316 ¹⁾	1.4301/ 1.4401 ¹⁾	AISI 304/ AISI 316 ¹⁾	1.4401	AISI 316
25	Plug	Stainless steel	1.4404	AISI 316L	1.4404	AISI 316L	1.4404	AISI 316L
49	Impeller	Stainless steel	1.4301/ 1.4401 ¹⁾	AISI 304/ AISI 316 ¹⁾	1.4301/ 1.4401 ¹⁾	AISI 304/ AISI 316 ¹⁾	1.4401	AISI 316
64	Spacing pipe	Stainless steel	1.4401	AISI 316	1.4401	AISI 316	1.4401	AISI 316
64c	Clamp	Stainless steel	STX2000 ⁵⁾		STX2000 ⁵⁾		STX2000 ³⁾	
6 ³⁾	Flange	Cast iron						
16	Sleeve	Stainless steel			1.4301/ 1.4401 ¹⁾ + 2)	AISI 304/ AISI 316 ¹⁾	1.4401	AISI 316
67	Nut	Stainless steel A4						
66	Washer (NORD-LOCK)	Steel	1.4547		1.4547		1.4547	

1) On request.

2) As standard, the pumps listed below are fitted with sleeves made of stainless steel 1.4401:

- CM(E) 1-9 up to and including CM(E) 1-14
- CM(E) 3-9 up to and including CM(E) 3-14
- CM(E) 5-9 up to and including CM(E) 5-13
- CM(E) 10-6 up to and including CM(E) 10-8.

3) Only in CM(E)-I/G pumps.

4) Only in CM(E)-A pumps.

5) STX2000 ~ CrNiMO 22 19 4.

10. CME pumps

Communication with CME pumps

Communication with CME pumps is possible via

- a central building management system
- Grundfos GO Remote
- a control panel.

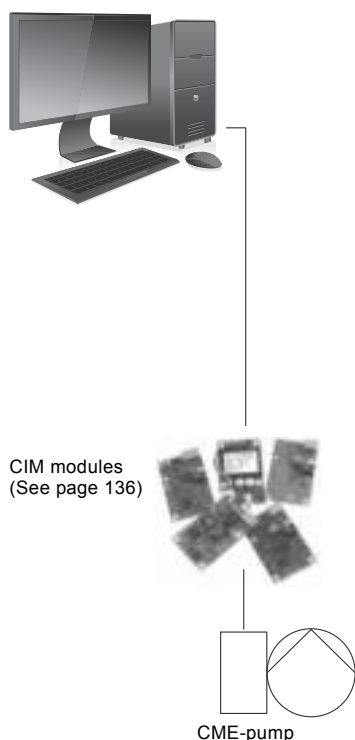
Central building management system

The operator can communicate with a CME pump at a distance. Communication can take place via a central building management system allowing the operator to monitor and change control modes and setpoint settings.

Communication interface

CME pumps can be fitted with a communication interface module (CIM). This means that no external communication interface is required.

The modules are available as accessories, see page 136.



CIM modules
(See page 136)

CME-pump

TM06 7627 3716

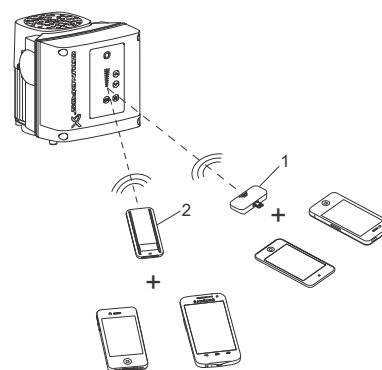
Fig. 22 Structure of a central management system

Grundfos GO

The pump is designed for wireless radio or infrared communication with Grundfos GO.

Grundfos GO enables setting of functions and gives access to status overviews, technical product information and actual operating parameters.

Grundfos GO offers the following mobile interfaces (MI).



TM06 6256 0916

Fig. 23 Grundfos GO communicating with the pump via radio or infrared connection (IR)

Pos.	Description
1	Grundfos MI 204: Add-on module enabling radio or infrared communication. You can use MI 204 in conjunction with an Apple iPhone or iPod with Lightning connector, e.g. fifth generation or later iPhone or iPod. MI 204 is also available together with an Apple iPod touch and a cover.
2	Grundfos MI 301: Separate module enabling radio or infrared communication. You can use the module in conjunction with an Android or iOS-based smart device with Bluetooth connection.

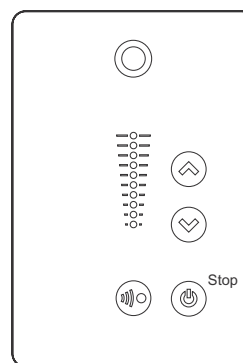
Grundfos GO is available as an accessory. See page 136.

Control panel

The operator can change the setpoint settings manually on the control panel of the CME pump terminal box.

The design and functionality of the control panels vary, depending on the MGE motor fitted to the CME pump.

The control panel of the new-generation CME pumps enables radio communication. The Grundfos Eye at the top of the control panel is a pump status indicator light providing information about the pump operating status. Less or more advanced control panels are available on request.



TM05 5362 3612

Fig. 24 Standard control panels of CME pumps

Speed control of CME pumps

Affinity equations

Normally, CME pumps are used in applications characterised by a variable flow. Consequently, you cannot select a pump that is constantly operating at its optimum efficiency.

In order to achieve optimum operating economy, the duty point should be close to the optimum efficiency (η) for most operating hours.

Between the minimum and maximum performance curves, CME pumps have an infinite number of performance curves, each representing a specific speed. You may therefore not be able to select a duty point close to the maximum curve.

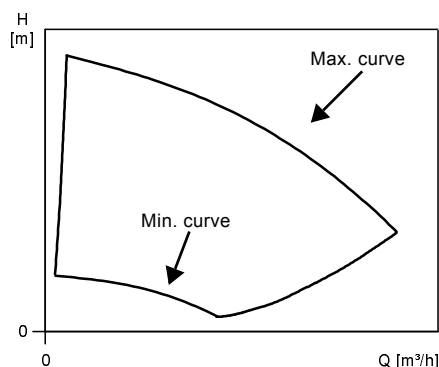


Fig. 25 Minimum and maximum performance curves

In situations where you cannot select a duty point close to the maximum curve, use the affinity equations below. The head (H), the flow rate (Q) and the input power (P) are the appropriate variables for calculating the motor speed (n).

Note: The approximated formulas apply on condition that the system characteristic remains unchanged for n_n and n_x and that it is based on the formula $H = k \times Q^2$ where k is a constant.

The power equation implies that the pump efficiency is unchanged at the two speeds. In practice, this is not quite correct.

Finally, it is worth noting that the efficiency of the frequency converter and the motor must be taken into account if a precise calculation of the power saving resulting from a reduction of the pump speed is wanted.

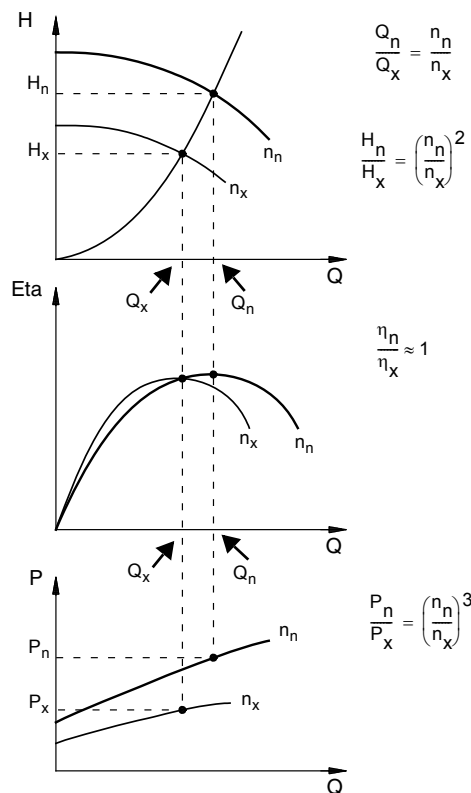


Fig. 26 Affinity equations

Legend

- H_n : Rated head [m]
- H_x : Current head [m]
- Q_n : Rated flow rate [m^3/h]
- Q_x : Current flow rate [m^3/h]
- n_n : Rated motor speed [min^{-1}]
- n_x : Current motor speed [min^{-1}]
- η_n : Rated efficiency [%]
- η_x : Current efficiency [%].

TM01 4916 4803

TM00 8720 3496

11. Grundfos CUE

CM pumps connected to Grundfos CUE, external frequency converters

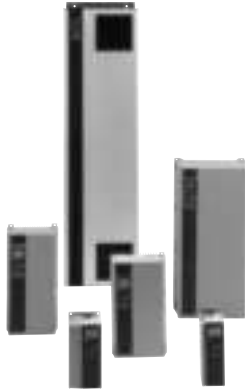


Fig. 27 Grundfos CUE product range

Grundfos CUE is a complete range of frequency converters for pump control in a wide range of applications. Grundfos CUE is designed for wall mounting.

Grundfos CUE provides a variety of benefits to the end-user.

The benefits include

- Grundfos CME pump functionality and user interface
- application- and pump family-related functions
- increased comfort compared to mains-operated pump solutions
- simple installation and commissioning compared to standard frequency converters.

GrA4404

Functions

Intuitive startup guide

The startup guide enables easy installation and commissioning as well as plug-and-pump convenience. Few settings need to be made by the installer as the rest is done automatically or preset from the factory.

Smart user interface



Fig. 28 Grundfos CUE control panel

TM04 3283 4-108

Grundfos CUE features a unique user-friendly control panel with graphic display and easy-to-use buttons. Panel layout resembles the well-known Grundfos R100 remote control, which is used with Grundfos CME pumps.

Controlling the value you choose

Grundfos CUE has a built-in PI controller offering closed-loop control of a desired value.

The values include

- constant differential pressure
- proportional pressure
- constant temperature
- constant flow.

Wide product range

The CUE product range is quite comprehensive, covering five different voltage ranges, enclosure classes IP20/21 (NEMA 1) and IP54/55 (NEMA 12), and a wide range of output powers.

The table below provides a general overview.

Input voltage [V]	Output voltage [V]	Motor [kW]
1 x 200-240	3 x 200-240	1.1 - 7.5
3 x 200-240	3 x 200-240	0.75 - 45
3 x 380-500	3 x 380-500	0.55 - 250
3 x 525-600	3 x 525-600	0.75 - 7.5

12. Approvals and markings

CM, CME pumps

Approvals

- RCM mark, New Zealand and Australian EMC.
- EAC certificate.

cULus

The cULus approval covers the standard product range within the following supply voltages:

- 1 x 115/230 V, 60 Hz (supply voltage B)
- 3 x 575 V, 60 Hz (supply voltage H, IE2)
- 1 x 115/230 V, 60 Hz (supply voltage B1)
- 3 x 400 V, 50/60 Hz (supply voltage I, IE2)

Contact Grundfos for further information.

Pumps

UL778 and C22.2 No 108-01
NEMA 250 (IP code).

Overheating protection

UL2111 and C22.2 No 77-95.

Note: cULus/cURus-approved motors have no internal protection. Motors fitted with PTC/PTO have no cULus/cURus approval.

cURus IE3 motors

The cURus approval covers the IE3 motors mentioned in the following:

IE3 motors for the below listed supply voltages comply with UL1004-1 and CSA22.2 No. 100-04.

- 3 x 208-230/440-480 V, 60 Hz (supply voltage E/E1)
- 3 x 220-240/380-415 V, 50 Hz; 3 x 220-255/380-440 V, 60 Hz (supply voltage O)
- 3 x 380-415 V, 50 Hz; 440-480 V, 60 Hz (supply voltage J).

cURus E-motors

The cURus approval covers the CME motors mentioned in the following:

CME motors for the below listed supply voltages comply with UL 60730-1 and CSA E 60730-1.

- 3 x 380-500 V, 50/60 Hz (supply voltage S)
- 3 x 440-480 V, 50/60 Hz (supply voltage T)
- 1 x 200-230 V, 50/60 Hz (supply voltage U).

Other approvals and compliance with directives

- EAC (Russia, Belarus, Kazakhstan)
- Compliance with RoHS, directive 2002/96/EC
- CCC
- CEL
- EuP
- KEA
- PSE.

Drinking water approvals

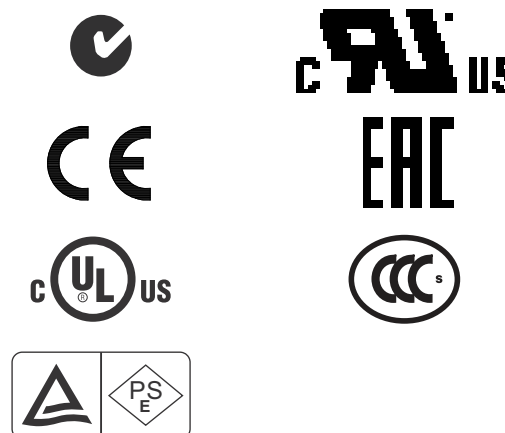
- WRAS
- ACS
- NSF61.

Energy approvals

The following energy approvals are available on request:

- Energy Independence and Security Act (EISA) for the USA (CC marking).
- Minimum energy performance standard (MEPS) for Korea, Taiwan, China and Brazil (pending).

Markings



CM self-priming pumps

The following approvals and markings are available as standard. Further approvals and markings are available on request. Contact Grundfos for further information.

Approvals

- TR certificate.

Other approvals and compliance with directives

- EAC
- Compliance with RoHS, directive 2002/96/EC
- CCC
- CEL
- EuP.

Drinking water approvals

- WRAS
- ACS.

Markings



13. Certificates

Certificate	Description
Certificate of compliance with the order	According to EN 10204, 2.1. Grundfos document certifying that the pump supplied is in compliance with the order specifications.
Test certificate. Non-specific inspection and testing	According to EN 10204, 2.2. Certificate with inspection and test results of a non-specific pump.
Inspection certificate 3.1	Grundfos document certifying that the pump supplied is in compliance with the order specifications. Inspection and test results are mentioned in the certificate.
Inspection certificate	Grundfos document certifying that the pump supplied is in compliance with the order specifications. Inspection and test results are mentioned in the certificate. Certificate from the surveyor is included. We offer the following inspection certificates: <ul style="list-style-type: none"> • Lloyds Register of Shipping (LRS) • Det Norske Veritas (DNV) • Germanischer Lloyd (GL) • Bureau Veritas (BV) • American Bureau of Shipping (ABS) • Registro Italiano Navale Agenture (RINA) • China Classification Society (CCS) • Russian maritime register of Shipping (RS) • Biro Klassifikasio Indonesia (BKI) • United States Coast Guard (USCG) • Nippon Kaiji Koykai (NKK).
Standard test report	Certifies that the main components of the specific pump are manufactured by Grundfos, and that the pump has been QH-tested, inspected and conforms to the full requirements of the appropriate catalogues, drawings and specifications.
Material specification report	Certifies the material used for the main components of the specific pump.
Material specification report with certificate from raw material supplier	Certifies the material used for the main components of the specific pump. A material certificate, EN 10204, 3.1, will be supplied for each main component.
Duty-point verification report	Certifies a test point specified by the customer. Issued according to ISO 9906:2012 concerning "Duty point verification".
Surface-roughness	Shows the measured roughness of the cast pump base of the specific pump. The report indicates the values measured at the base inlet and outlet according to ISO 1302.
Vibration report	Vibration report indicating the values measured during the performance test of the specific pump according to ISO 10816.
Motor test report	Shows the performance test of the specific motor, including power output, current, temperature, stator windings resistance and insulation test.
Cleaned and dried pump	Confirms that the specific pump has been cleaned and dried, and how it was done.
Electro-polished pump	Confirms that the specific pump has been electro-polished. The maximum surface roughness is specified in the report.

Examples of the certificates are shown on pages 34 and 35.

Note: Other certificates are available on request.

Examples of certificates

Certificate of compliance with the order

BE > THINK > INNOVATE > GRUNDFOS

Certificate of compliance with the order

EN 10204 2.1

Customer name	
Customer order no.	
Customer TAG no.	
GRUNDFOS order no.	
Product type	

We the undersigned hereby guarantee and certify that the materials and/or parts for the above mentioned product were manufactured, tested, inspected, and conform to the full requirements of the appropriate catalogues, drawings and/or specifications relative thereto.

GRUNDFOS
Date: _____
Signature: _____
Name: _____
Dept.: _____

Part no. 96 50 78 95/1001002

TM03 4165 1706

Test certificate

BE > THINK > INNOVATE > GRUNDFOS

Test certificate

Non-specific inspection and testing

EN 10204 2.2

Customer name	
Customer order no.	
Customer TAG no.	
GRUNDFOS order no.	

Pump	
Pump type	Part number
Motor make	Part number
Flow	m ³ /h
Head	m
Power P2	kW
Voltage	V
Frequency	Hz
Full load current	A
Motor speed	min ⁻¹

We the undersigned hereby guarantee and certify that the materials and/or parts for the above mentioned product were manufactured, tested, inspected, and conform to the full requirements of the appropriate catalogues, drawings and / or specifications relative thereto.

GRUNDFOS
Date: _____
Signature: _____
Name: _____
Dept.: _____

Part no. 96 50 78 96/1001002

TM03 4163 1706

Inspection certificate 3.1

BE > THINK > INNOVATE > GRUNDFOS

Inspection certificate.

EN 10204 3.1

Manufactured by	
GRUNDFOS order no.	
GRUNDFOS DUT id.	
Customer order no.	
Customer name and address	
Shipyard / factory	
Ship / new building	
Customer TAG no.	
Classifying society	GRUNDFOS authorized department

Pump		Motor	
Pump type		Make	
Part number		Part number	
Serial no.		Serial No.	
Flow rate (m ³ /h)		P2 (kW)	
Head (m)		Voltage (V)	
Max. ope. P/t (bar / °C)		Current (A)	
	Din / W. - No.	n(min ⁻¹)	
Base/Pump head cover		Frequency (Hz)	
Impeller/guide vanes		Insulation class	
Shaft/sleeve		Power factor	

Customer's requirements	
Flow rate (m ³ /h)	Head (m)

Test result ref. requirements				
Q(m ³ /h)	H(m)	n(min ⁻¹)	I(A)	P1(kW)

Hydrostatic test: Bar - no leaks or deformation observed

GRUNDFOS
Date: _____
Signature: _____
Name: _____
Dept.: _____

Part no. 96 50 78 97/1014142

TM03 4162 3607

Inspection certificate

BE > THINK > INNOVATE > GRUNDFOS

Inspection certificate.

Russian Maritime Register of Shipping

Manufactured by	
GRUNDFOS order no.	
GRUNDFOS DUT id.	
Customer order no.	
Customer name and address	
Shipyard / factory	
Ship / new building	
Customer TAG no.	
Classifying society	Russian Maritime Register of Shipping (RS)

Pump		Motor	
Pump type		Make	
Part number		Part number	
Serial no.		Serial No.	
Flow rate (m ³ /h)		P2 (kW)	
Head (m)		Voltage (V)	
Max. ope. P/t (bar / °C)		Current (A)	
Service		n(min ⁻¹)	
Medium		Frequency (Hz)	
Base/Pump head cover	Din / W. - No.	Insulation class	
Impeller/guide vanes		Power factor	
Shaft/sleeve			

Customer's requirements	
Flow rate (m ³ /h)	Head (m)

Test result ref. requirements				
Q(m ³ /h)	H(m)	n(min ⁻¹)	I(A)	P1(kW)

Hydrostatic test: Bar - no leaks or deformation observed

The pump has been marked

Surveyor signature: _____ GRUNDFOS
Tested date: _____ Date: _____
Signature: _____
Name: _____
Dept.: _____

Part no. 96 50 78 25/1014142

TM03 4156 3607

Standard test report

BE > THINK > INNOVATE > **GRUNDFOS**

Standard test report

Customer name	
Customer order no.	
Customer Tag no.	
GRUNDFOS order no.	
Product type	
GRUNDFOS DUT id.	
Part number	

We the undersigned hereby guarantee and certify that the materials and/or parts for the above mentioned product were manufactured by GRUNDFOS, tested, inspected, and conform to the full requirements of the appropriate catalogues, drawings and/or specifications relative thereto.
The attached test result is from the above mentioned pump.

GRUNDFOS
Date: _____
Signature: _____
Name: _____
Dept.: _____

Part no. 96 50 79 30 P03 /A72775

TM03 4143 1706

Material specification report

BE > THINK > INNOVATE > **GRUNDFOS**

Material specification report.

Customer name	
Customer order no.	
Customer TAG no.	
GRUNDFOS order no.	
Pump type	
GRUNDFOS DUT id.	
Part number	
Production code	

Pump	Materials	DIN W.-Nr.	AISI / ASTM
Pump head			
Pump head cover			
Shaft			
Impeller			
Chamber			
Outer sleeve			
Base			

We the undersigned hereby guarantee and certify that the materials and/or parts for the above mentioned product were manufactured, tested, inspected, and conform to the full requirements of the appropriate catalogues, drawings and/or specifications relative thereto.

GRUNDFOS
Date: _____
Signature: _____
Name: _____
Dept.: _____

Part no. 96 50 79 28 /A72775

TM03 4150 1706

Material specification report with certificate from raw material supplier

be think innovate **GRUNDFOS**

Material specification report with EN10204 material certificate from raw material supplier

Customer name	
Customer order no.	
Customer TAG no.	
GRUNDFOS order no.	
Pump type	
GRUNDFOS DUT id.	
Part number	

Pump part	EN 10204: 3.1 2.2	Raw material no.	Raw material standard	Supplier certificate no./ heat no.
Pump head				
Pump head cover				
Base				
Outer sleeve				
Shaft				
Impeller				
Chamber				

We the undersigned hereby guarantee and certify that the materials and/or parts for the above mentioned product were manufactured, tested, inspected, and conform to the full requirements of the appropriate catalogues, drawings and/or specifications relative thereto.

GRUNDFOS
Date: _____
Signature: _____
Name: _____
Dept.: _____

Part no. 96 50 79 29 /PM/000/1135258

Viewed from SAP #P02 20160806 120551 by GMD/DSB/Strikus_Philipp_Versuch_05_07/2016_20160820

TM03 4149 3607

Duty-point verification report

BE > THINK > INNOVATE > **GRUNDFOS**

Duty point verification report

Customer name	
Customer order no.	
Customer Tag no.	
GRUNDFOS order no.	
Product type	
GRUNDFOS DUT id.	
Part number	

We the undersigned hereby guarantee and certify that the materials and/or parts for the above mentioned product were manufactured by GRUNDFOS, tested, inspected, and conform to the full requirements of the appropriate catalogues, drawings and/or specifications relative thereto.

GRUNDFOS
Date: _____
Signature: _____
Name: _____
Dept.: _____

Part no. 96 53 96 99 /A72775

TM03 4148 1706

14. Selection and sizing

Selection of pumps

Selection of pumps should be based on these elements:

- the duty point of the pump (see below)
- dimensional data such as pressure loss as a result of height differences, friction loss in the pipework, pump efficiency, etc. (see below)
- pump materials (see page 37)
- pump connections (see page 37)
- shaft seal (see page 21).

Duty point of the pump

From a duty point you can select a pump on the basis of the curve charts starting on page 39.

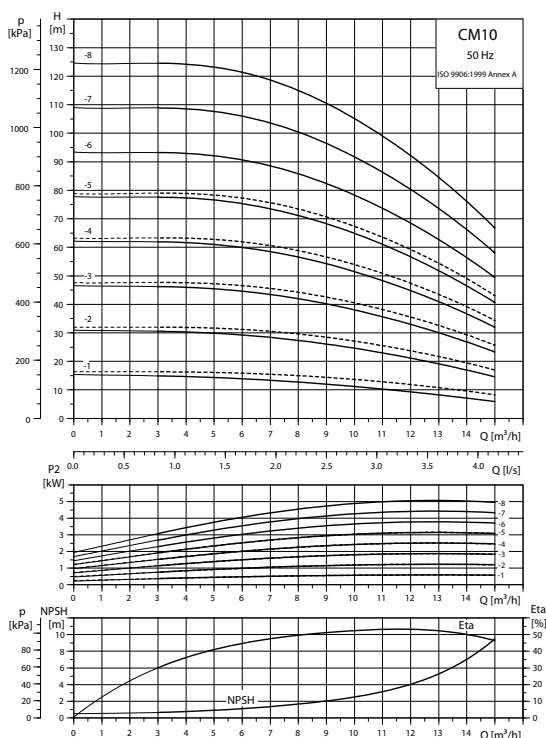


Fig. 29 Example of a curve chart

TM04 6404 5112

Dimensional data

When sizing a pump, take the following factors into account:

- Required flow and pressure at the draw-off point.
 - Pressure loss as a result of height differences (H_{geo}).
 - Friction loss in the pipework (H_f).
- It may be necessary to account for pressure loss in connection with long pipes, bends or valves, etc.
- Best efficiency at the estimated duty point.*
 - NPSH value.

For calculation of the NPSH value, see *Minimum inlet pressure, NPSH* on page 22.

- * See *Selection of CME pumps* on page 37 for further information about sizing CME pumps.

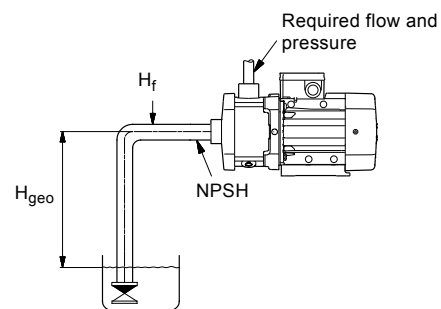


Fig. 30 Dimensional data

TM04 3486 4508

Pump efficiency

When sizing the pump, the efficiency (η) should be considered so that the pump will operate at or near its maximum efficiency, for instance on the right-hand side in the curve example in fig. 31.

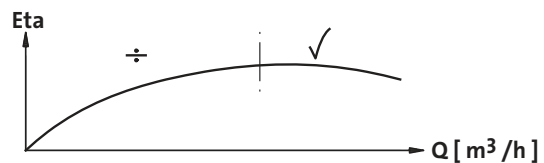


Fig. 31 Best efficiency

TM00 9190 1303

Before determining the best efficiency point, the operation pattern of the pump needs to be identified. If the pump is expected to operate at the same duty point, then select a CM pump which is operating at a duty point corresponding with the best efficiency of the pump. The example in fig. 32 shows how to check the pump efficiency when selecting a CM pump.

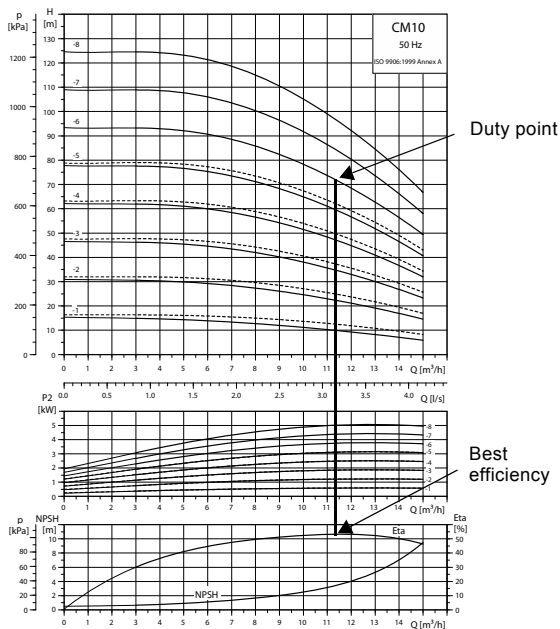


Fig. 32 Example of a CM pump's duty point

Pump materials

Select the material variant on the basis of the liquid to be pumped. The table below gives a general recommendation regarding selection of pump material.

Liquid to be pumped	Material in contact with pump media	Pump type
Clean, non-aggressive liquids such as potable water and oils	Cast iron* (EN-GJL-200)	CM(E)-A
	Stainless steel (EN 1.4301/AISI 304)	CM(E)-I
Industrial liquids and acids	Stainless steel (EN 1.4401/AISI 316)	CM(E)-G

* The impeller, chamber and filling plugs are made of stainless steel (EN 1.4301/AISI 304). The pump shaft is made of stainless steel (EN 1.4301/AISI 316).

Contact Grundfos for more specific selection based on the pumped liquid.

Pump connections



Fig. 33 Examples of pump connections

Selection of pump connection depends on the rated pressure and pipework. To meet any requirement, the CM and CME pumps offer a wide range of flexible connections such as:

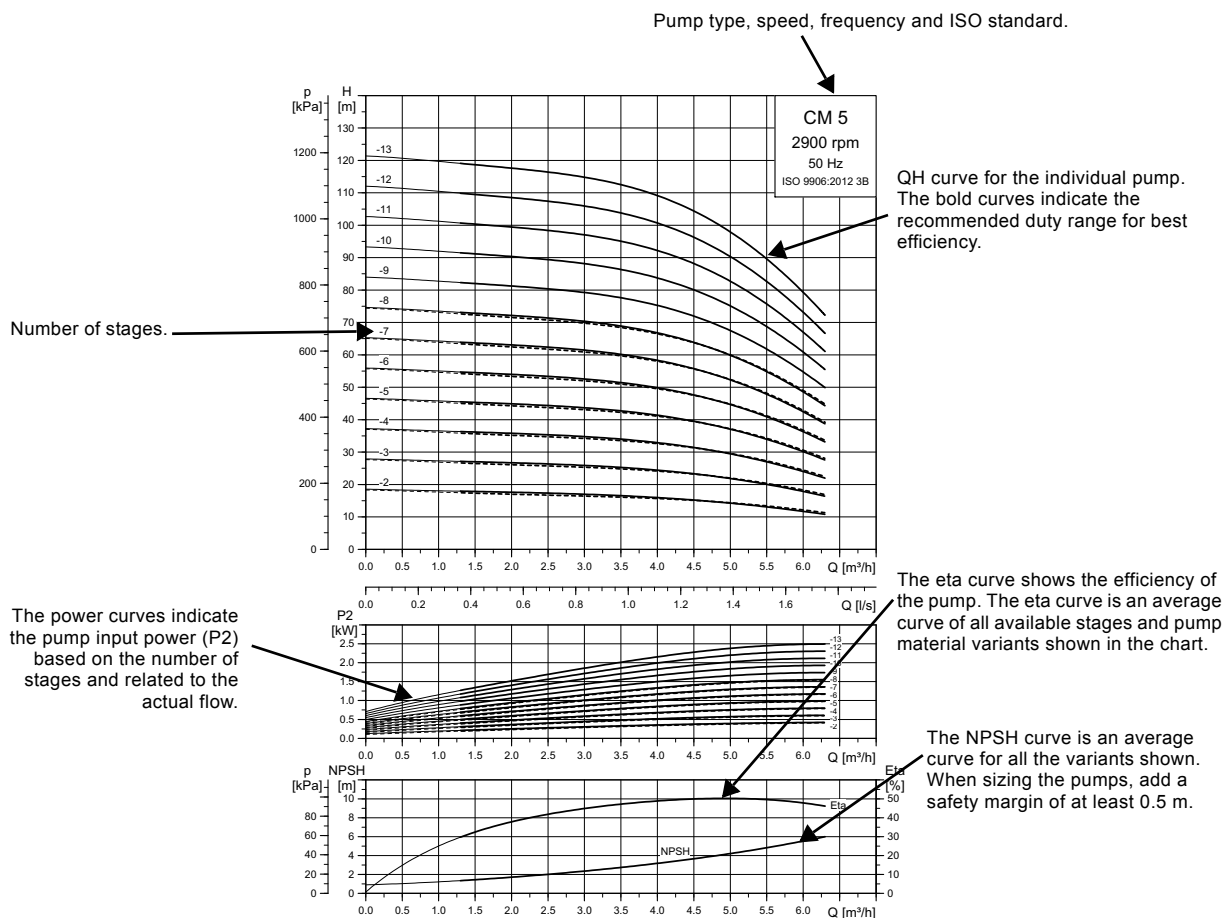
- Tri-Clamp®
- DIN flange
- ANSI flange
- JIS flange
- Victaulic® coupling
- Whitworth thread Rp
- internal NPT thread.

Selection of CME pumps

CME pumps are normally used in applications characterised by a variable flow. Consequently, you cannot select a pump that is constantly operating at its optimum efficiency. In order to achieve optimum operating economy, the duty point should therefore be close to the optimum efficiency (eta) for most operating hours. For further information, see *CME pumps* on page 29.

Note: Irrespective of the input frequency, the 100 % speed of CME pumps is approximately 3400 min⁻¹. See CME performance curves on pages 64 to 69.

15. How to read the curve charts



TM04 3336 4616

Fig. 34 How to read the curve charts

Guidelines for performance curves

The guidelines below apply to the curves shown on the following pages:

- Tolerances to ISO 9906:2012 3B.
- Measurements have been made with airless water at a temperature of 20 °C.
- The curves apply to the following kinematic viscosity: $\nu = 1 \text{ mm}^2/\text{s}$ (1 cSt).
- The QH curves apply to fixed speeds of 2900 min^{-1} (50 Hz) and 3480 min^{-1} (60 Hz).
Note: The actual speed will in most cases deviate from the above-mentioned speeds. So for realistic curves, please refer to the Grundfos Product Center (<http://product-selection.grundfos.com/>) where the pump curves include the characteristics of the selected motor and therefore show curves at actual speeds. In the Grundfos Product Center, you can also adjust the curves depending on the density and viscosity.
- The conversion between head H (m) and pressure p (kPa) applies to a water density of $\rho = 1000 \text{ kg/m}^3$.

- Due to the risk of overheating, the pumps are not to be used at a flow below the minimum flow rate. The curve in fig. 35 shows the minimum flow rate as a percentage of the rated flow rate in relation to the liquid temperature.

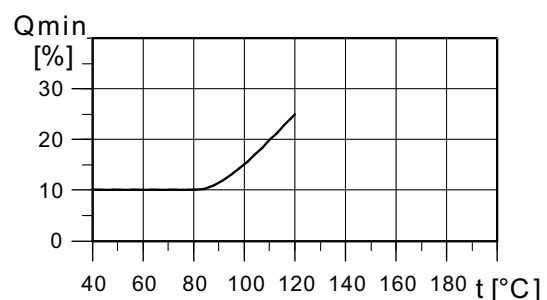
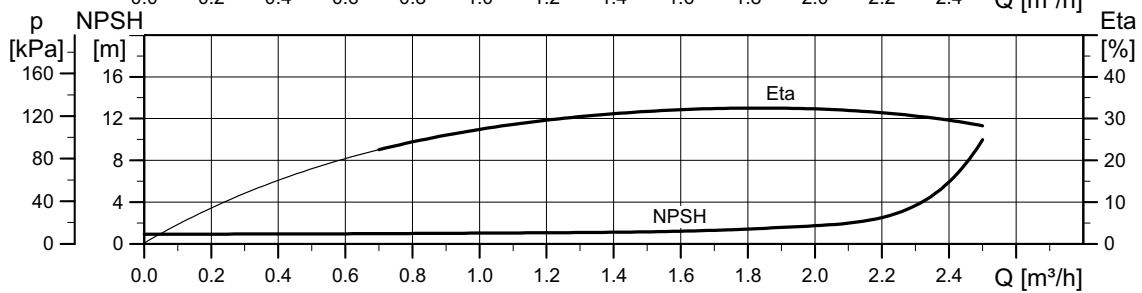
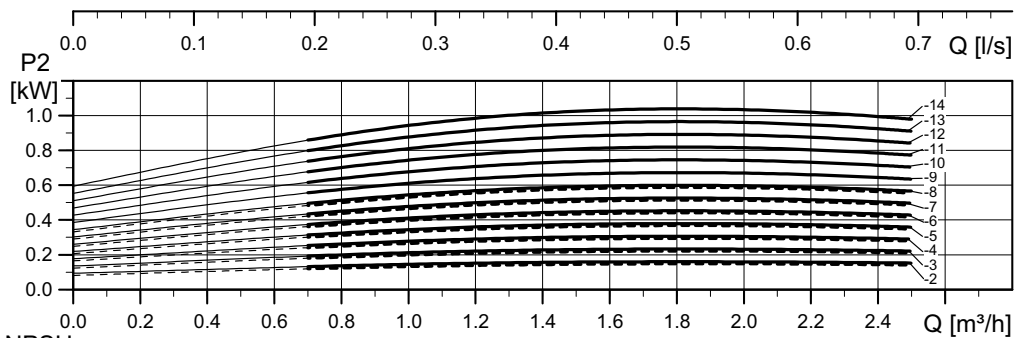
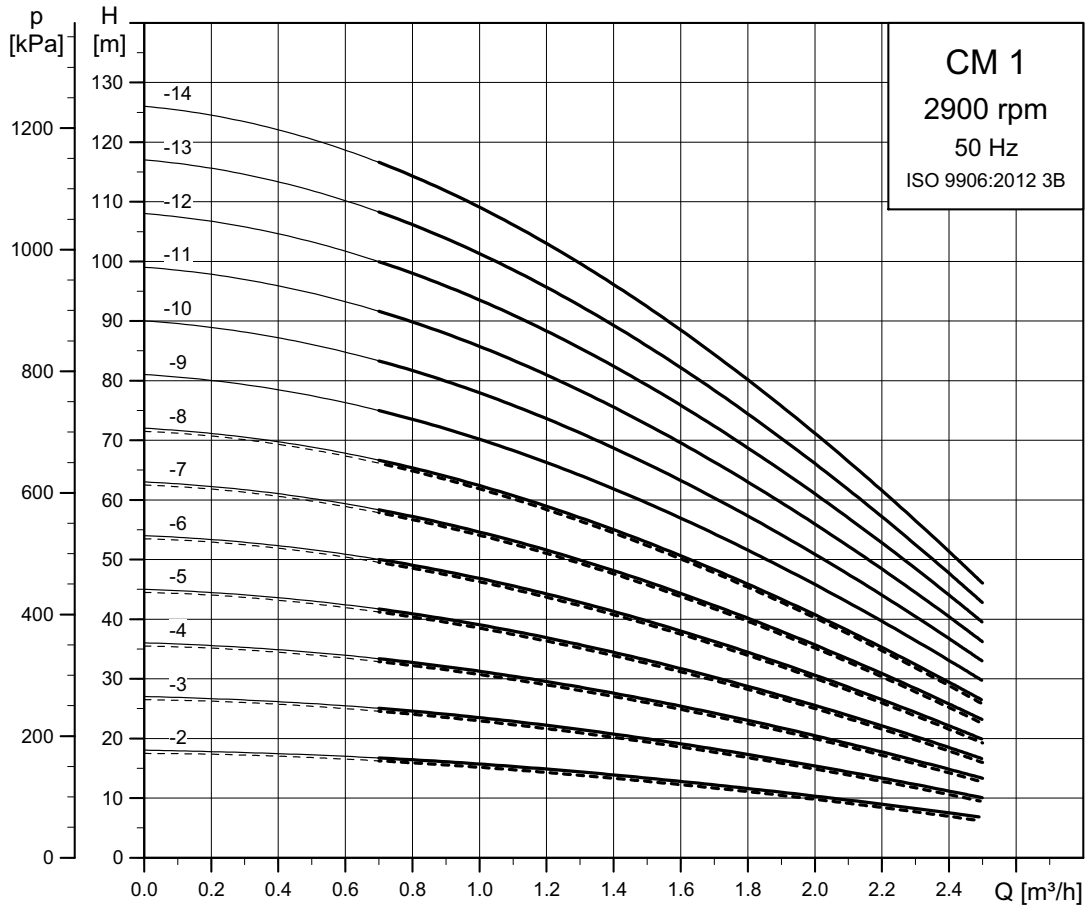


Fig. 35 Minimum flow rate

TM04 3791 5005

16. Performance curves, CM 50 Hz

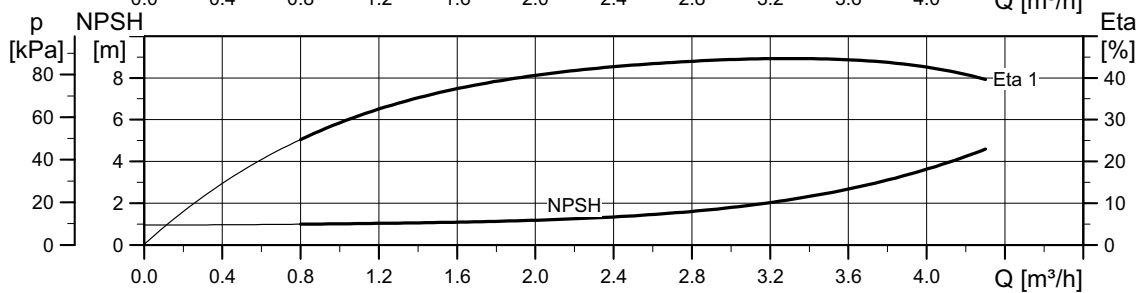
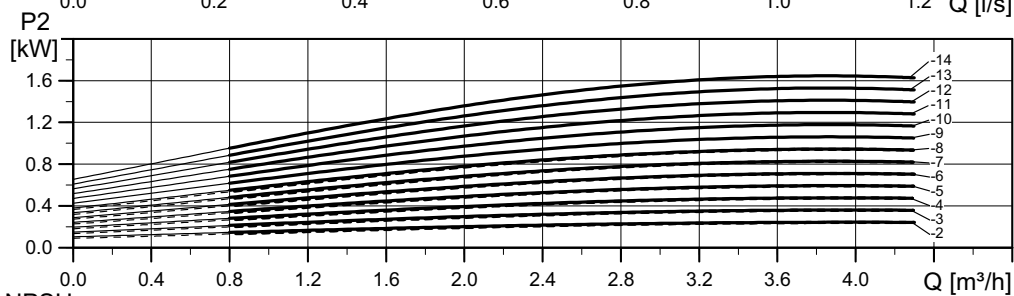
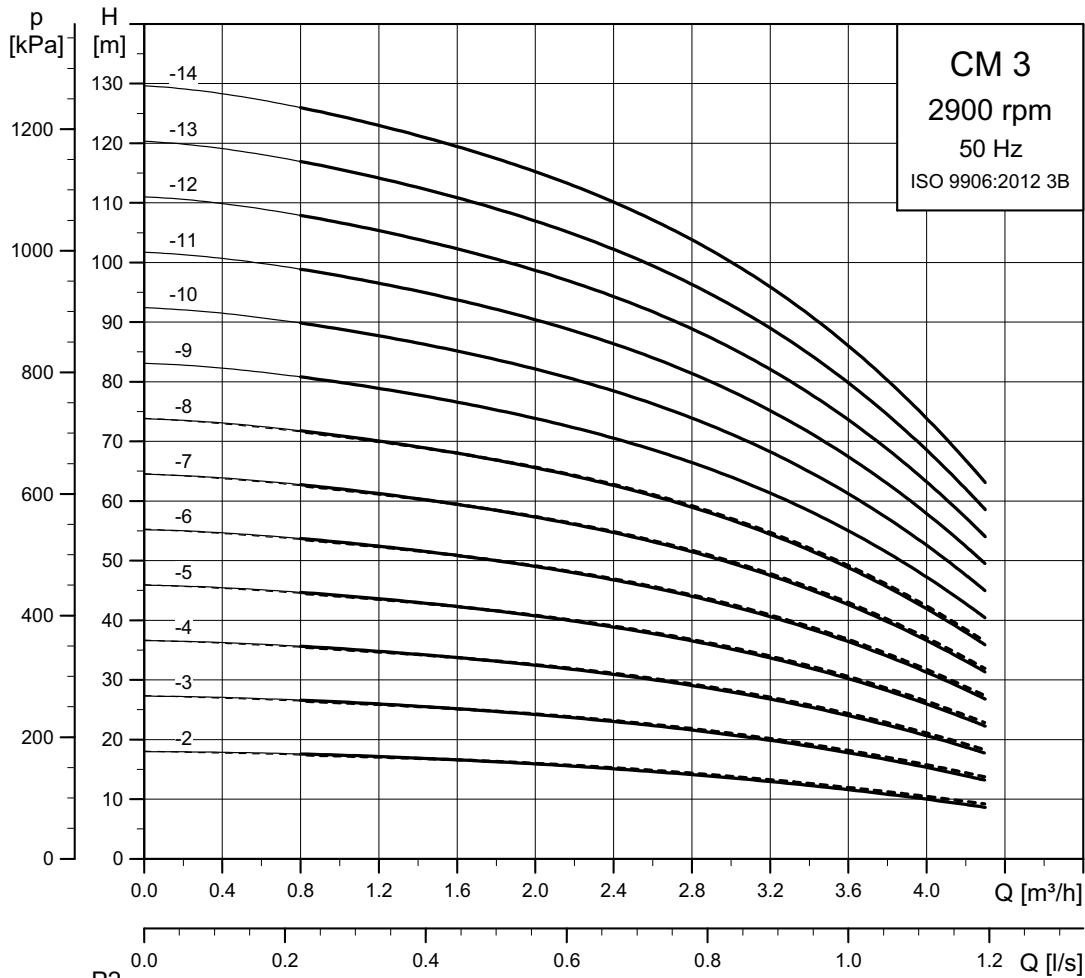
CM 1



----- CM-A
———— CM-I/G

TM04 3334 4616

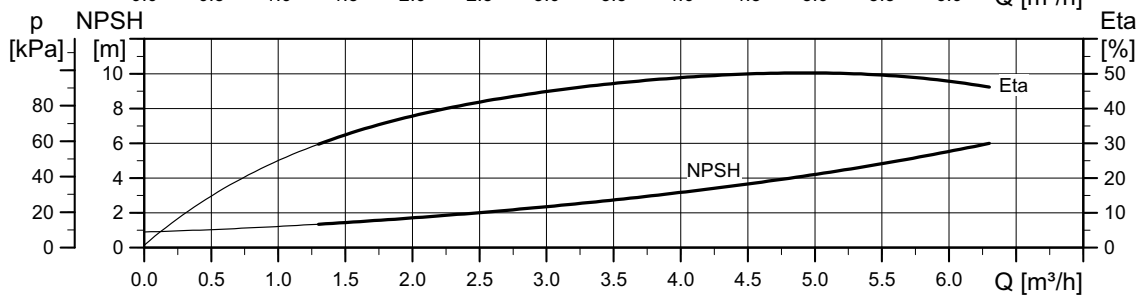
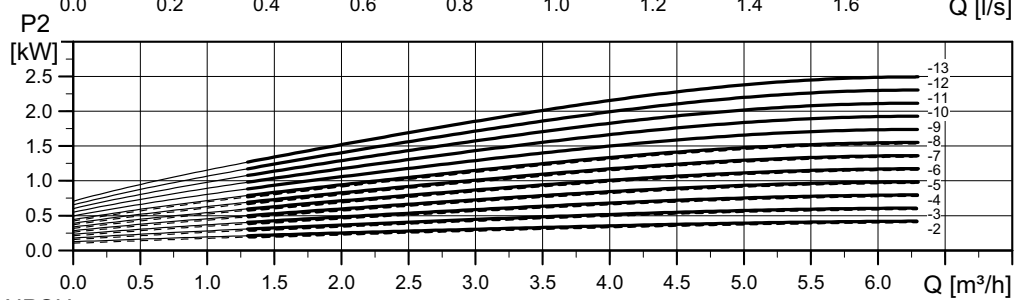
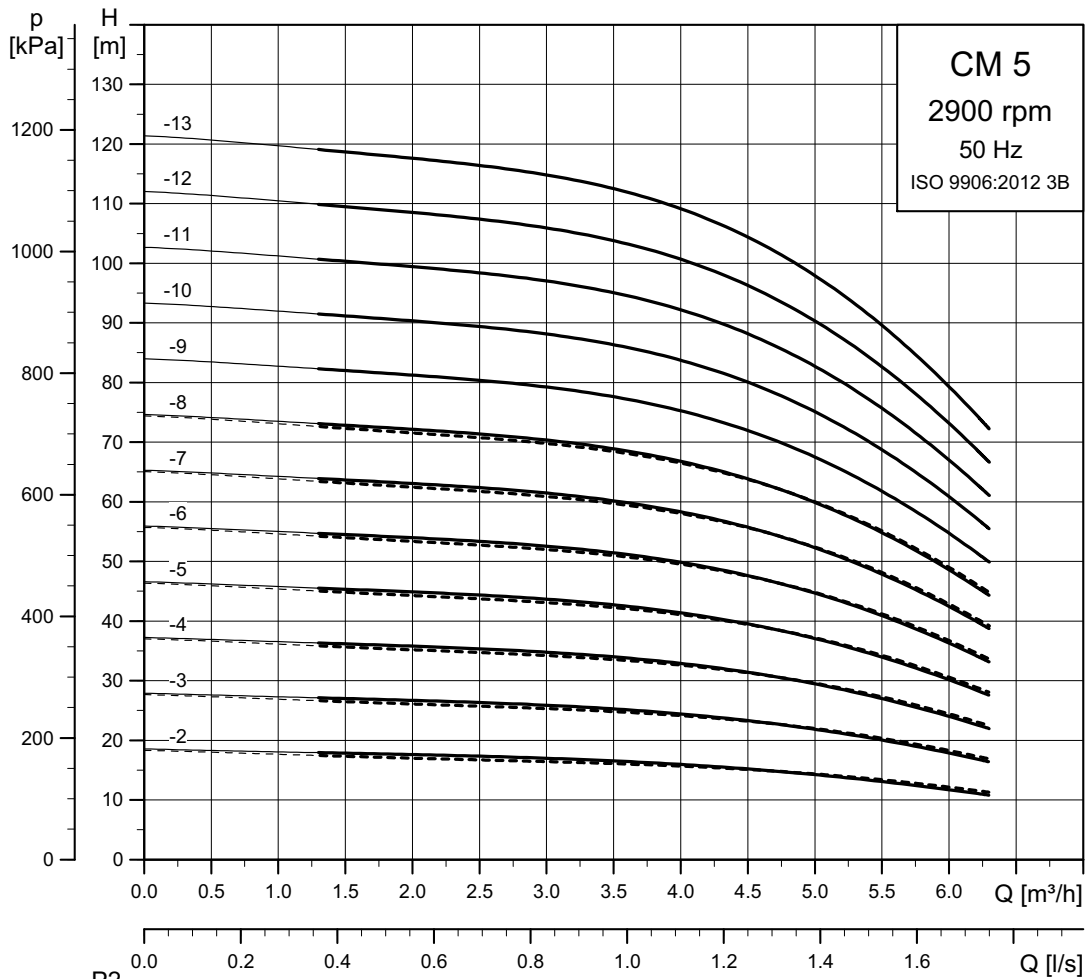
CM 3



----- CM-A
———— CM-I/G

TM04 3335 4616

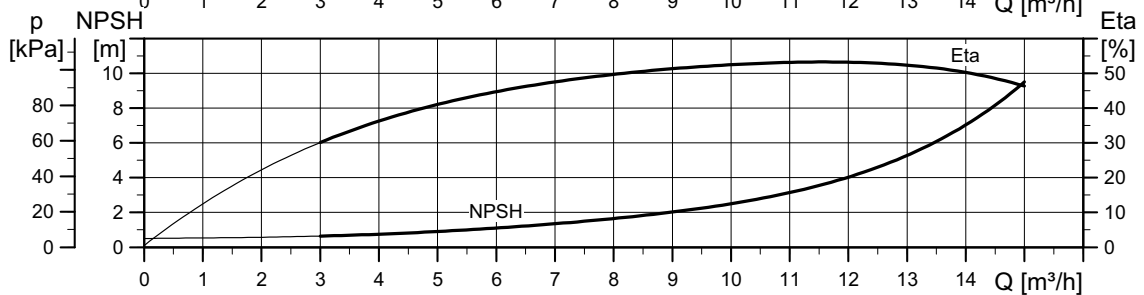
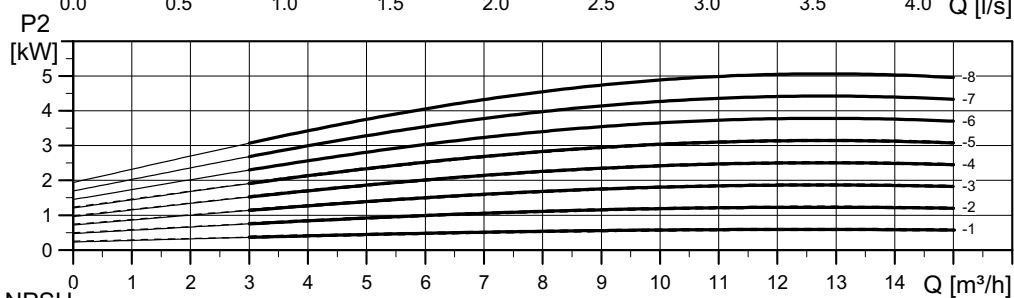
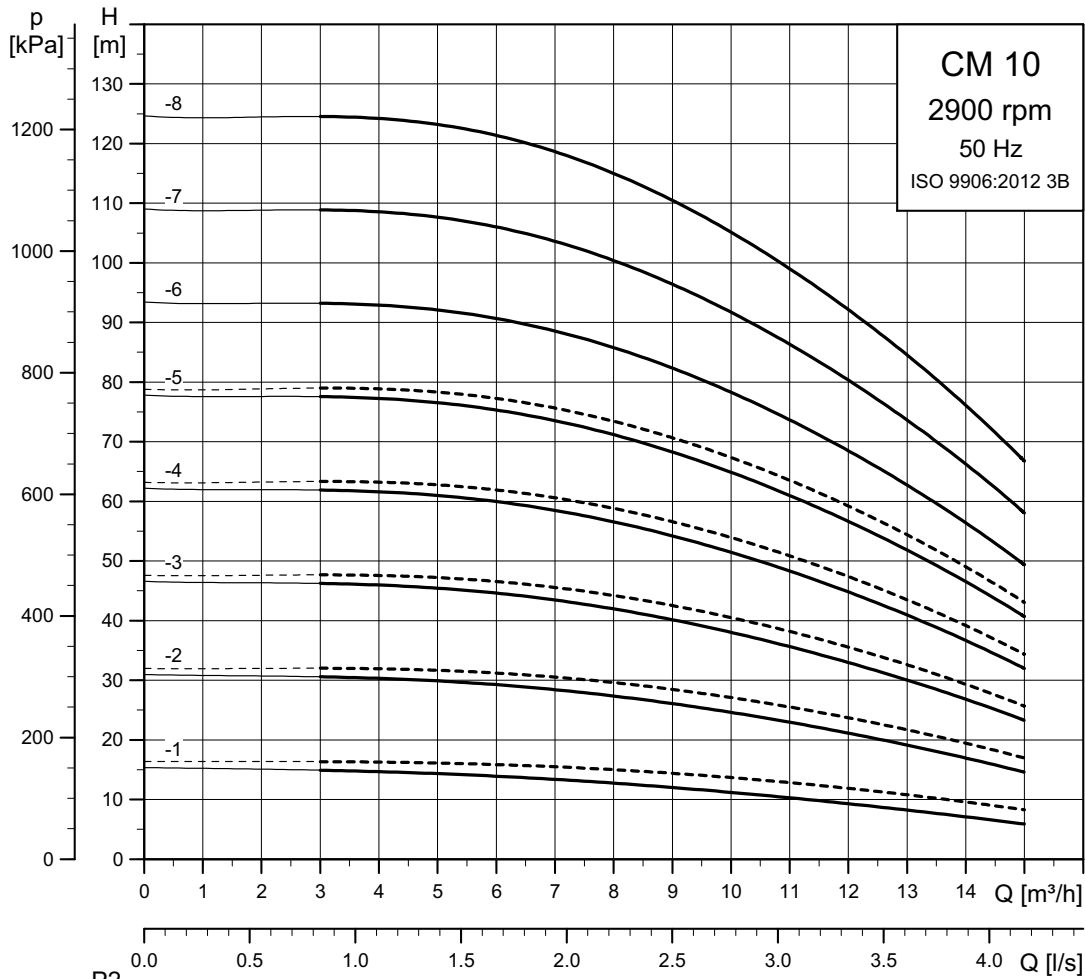
CM 5



----- CM-A
———— CM-I/G

TM04 3336 4616

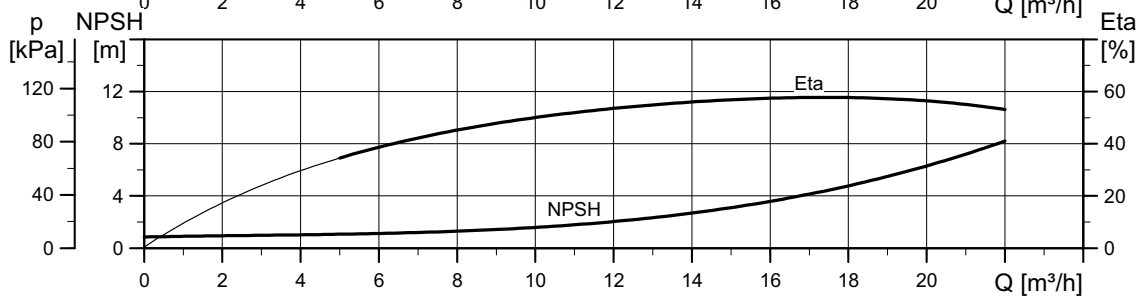
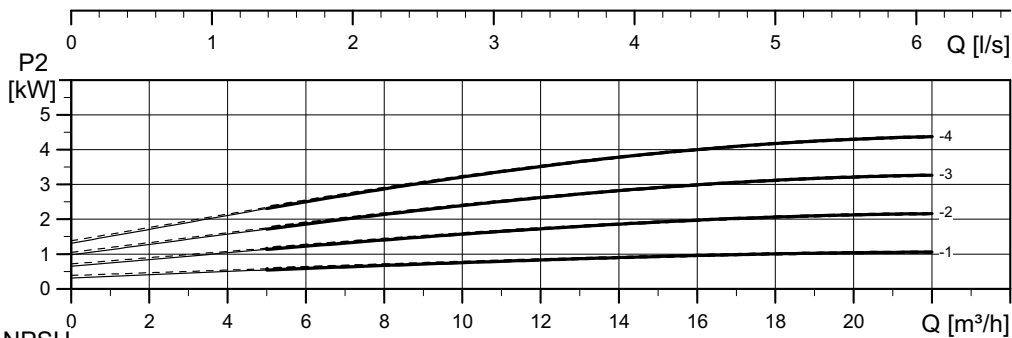
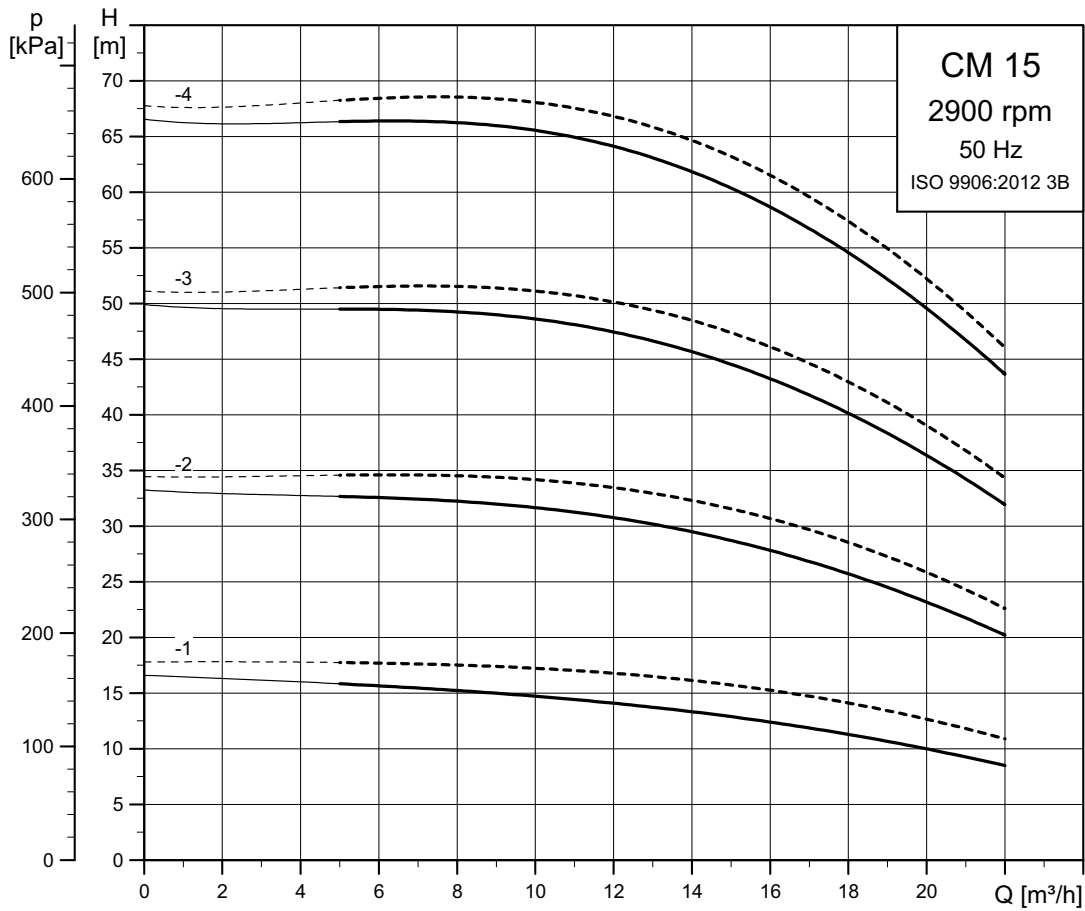
CM 10



----- CM-A
———— CM-I/G

TM04 3337 4616

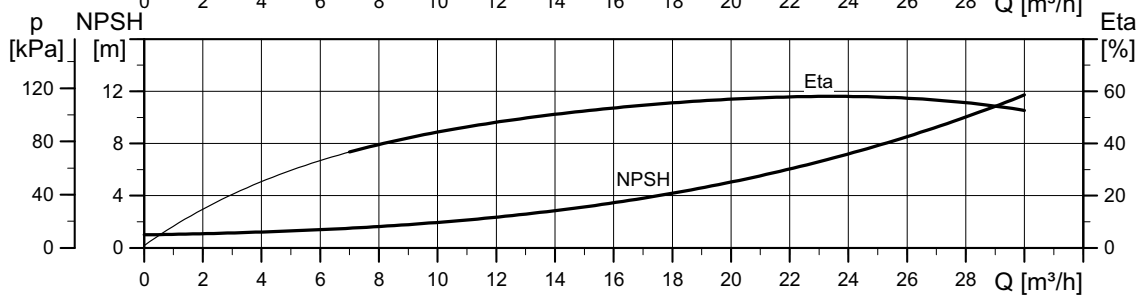
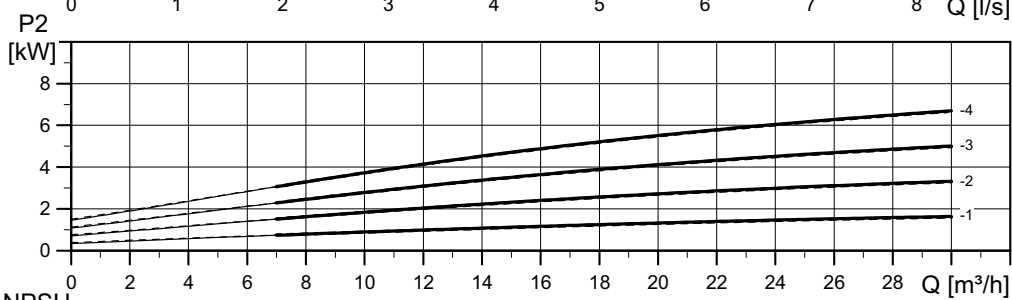
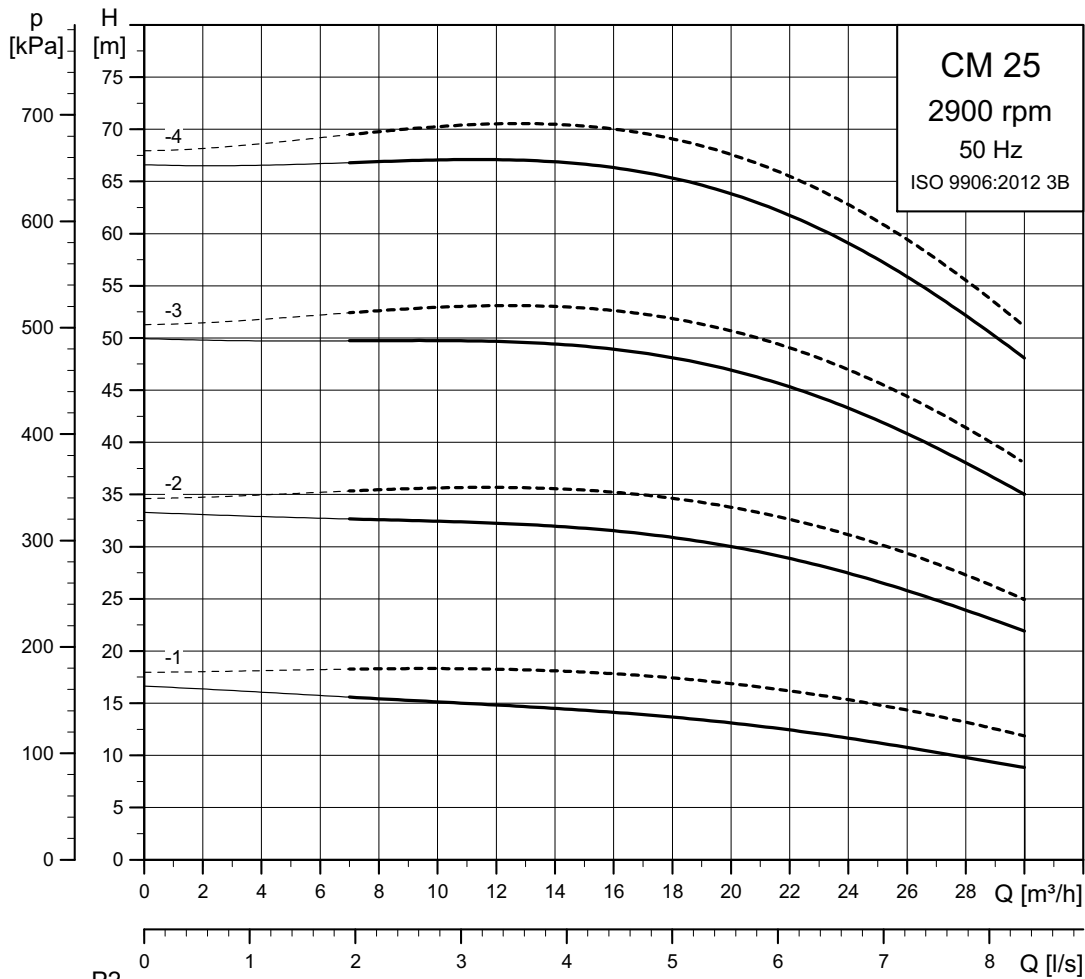
CM 15



----- CM-A
 ——— CM-I/G

TM04 3338 46 16

CM 25

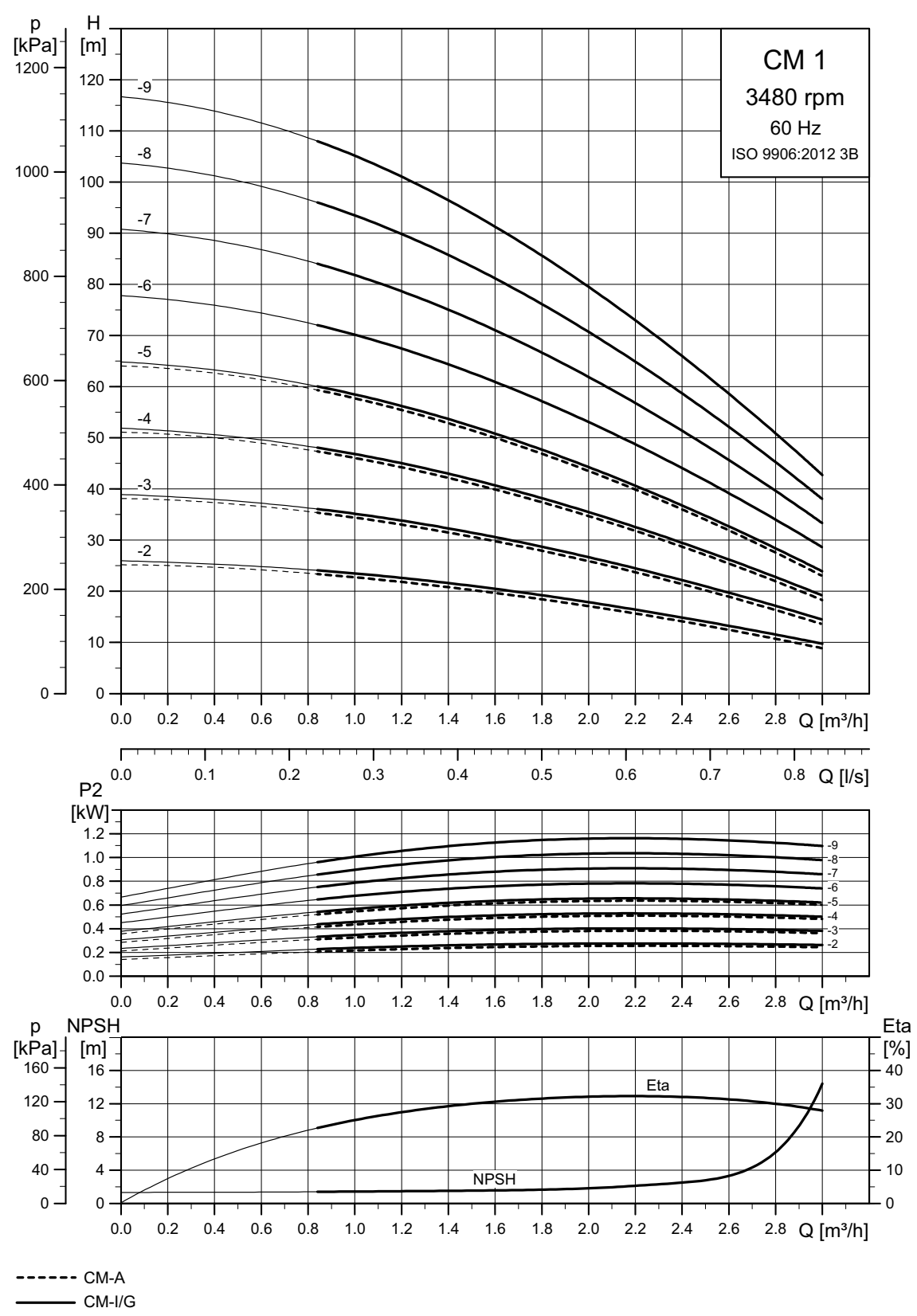


----- CM-A
———— CM-I/G

TM04 3339 46 16

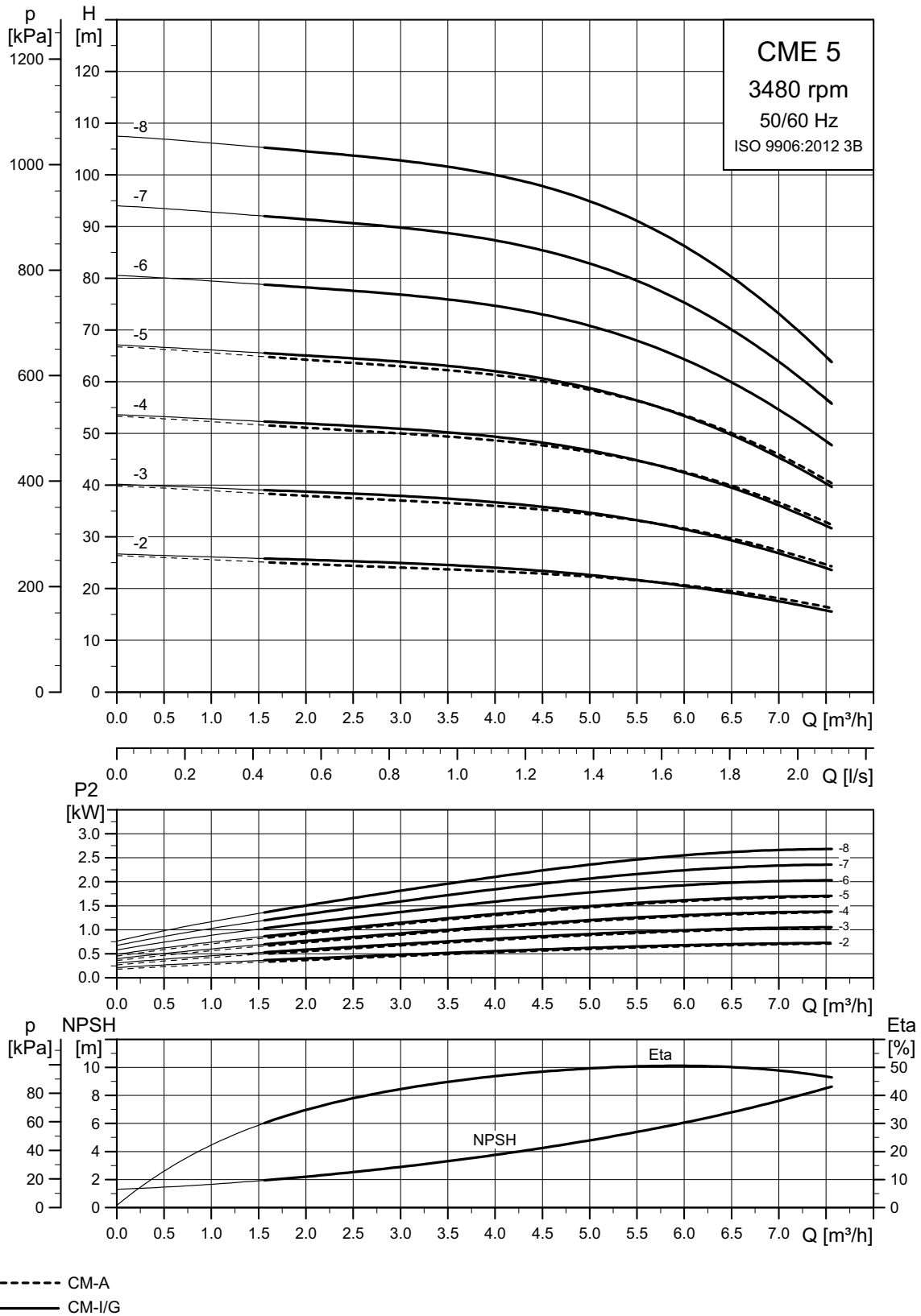
17. Performance curves, CM 60 Hz

CM 1



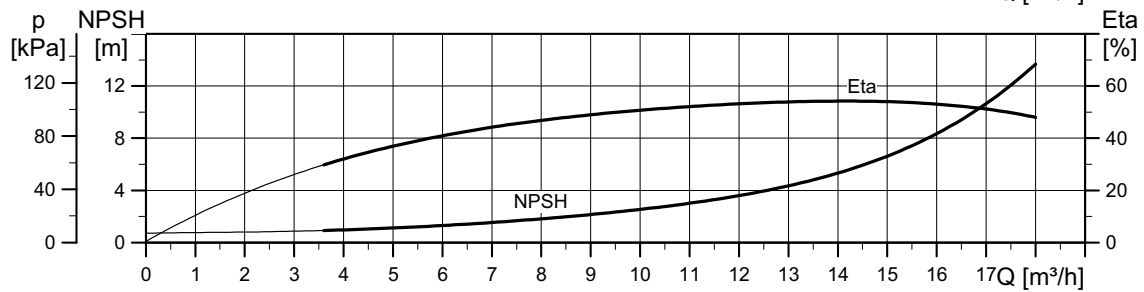
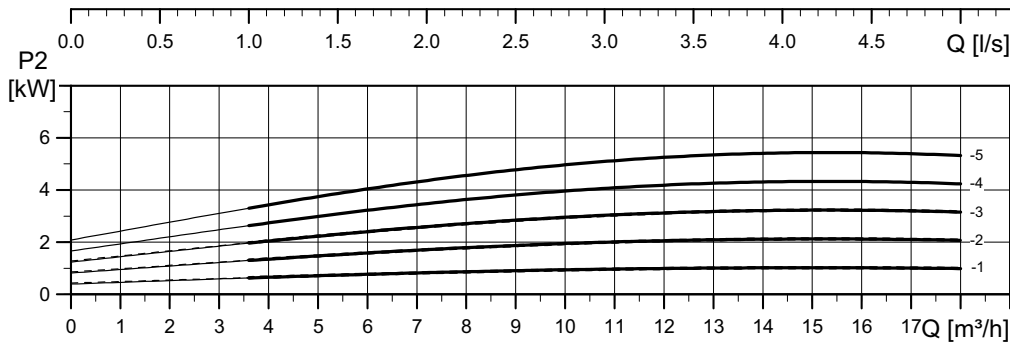
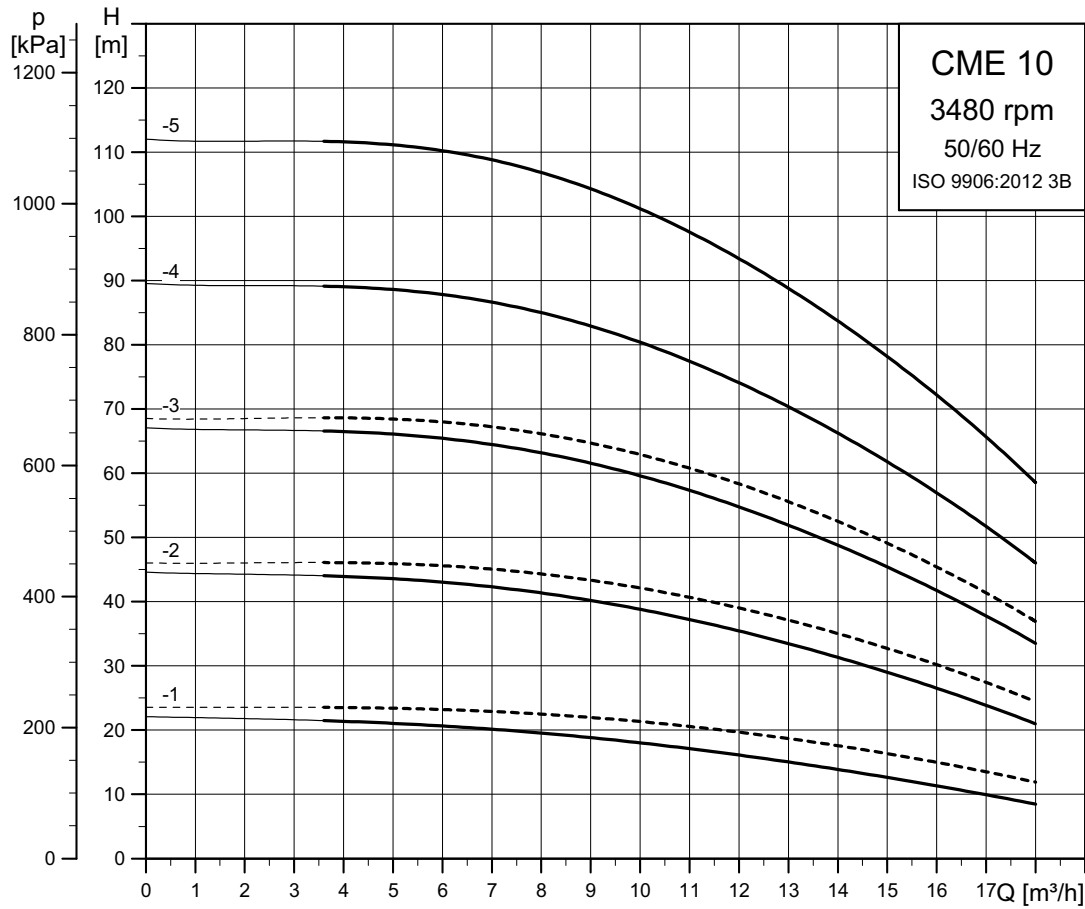
TM04 3370 4616

CM 3



TM04 3371 4616

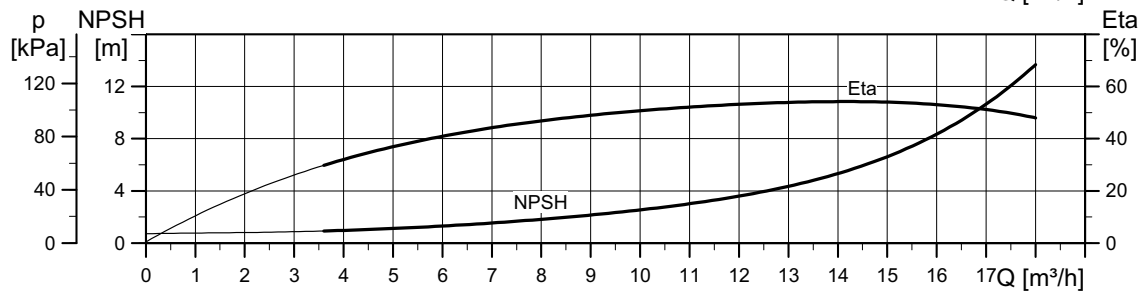
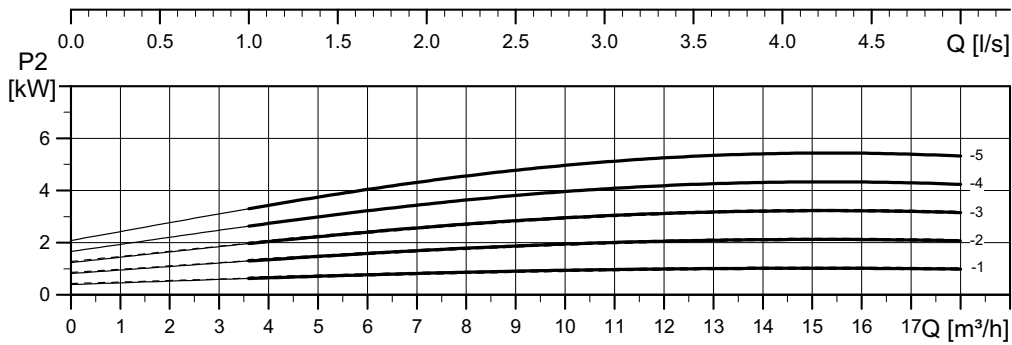
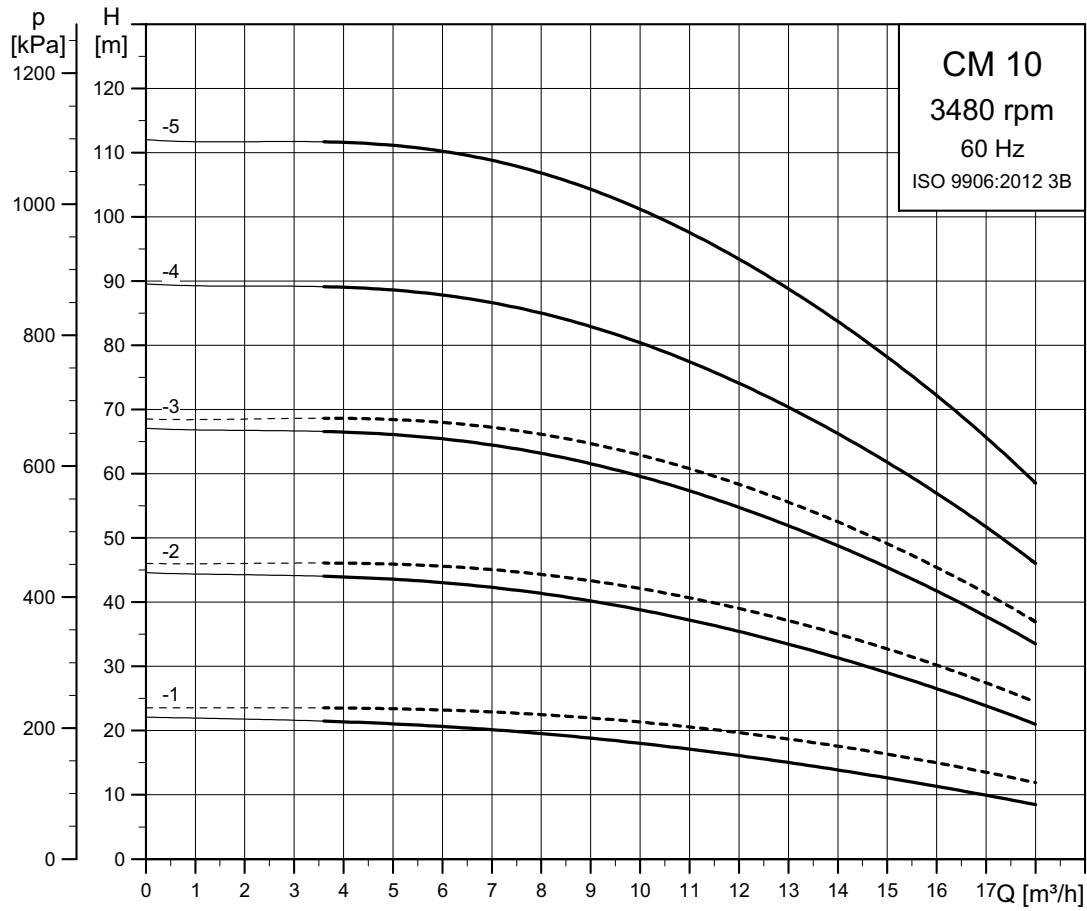
CM 5



----- CM-A
———— CM-I/G

TMD4 3372 4616

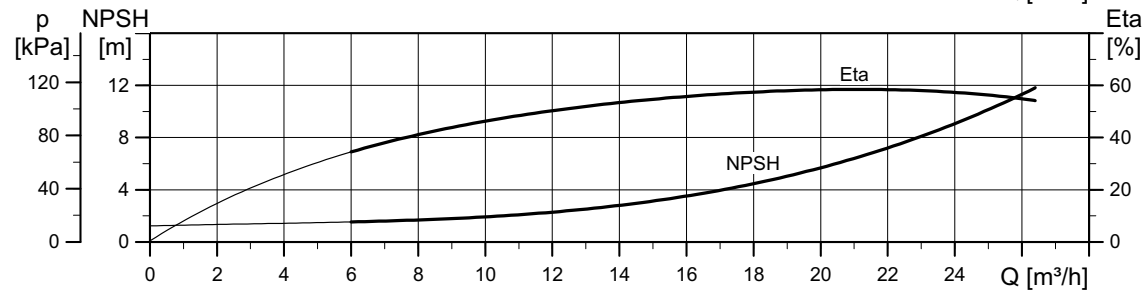
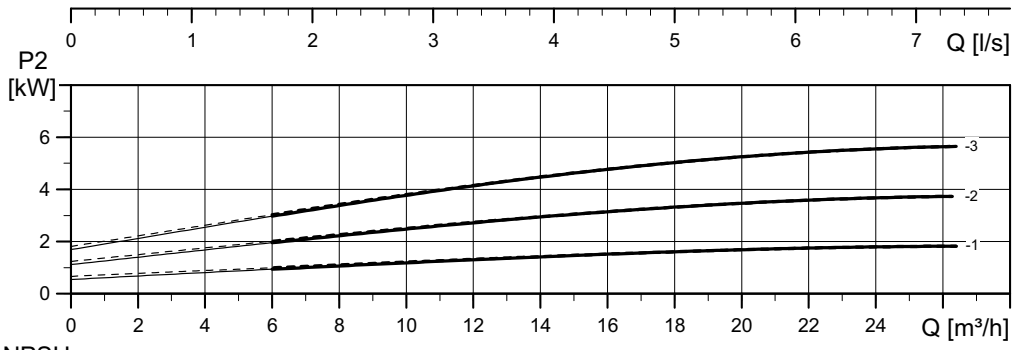
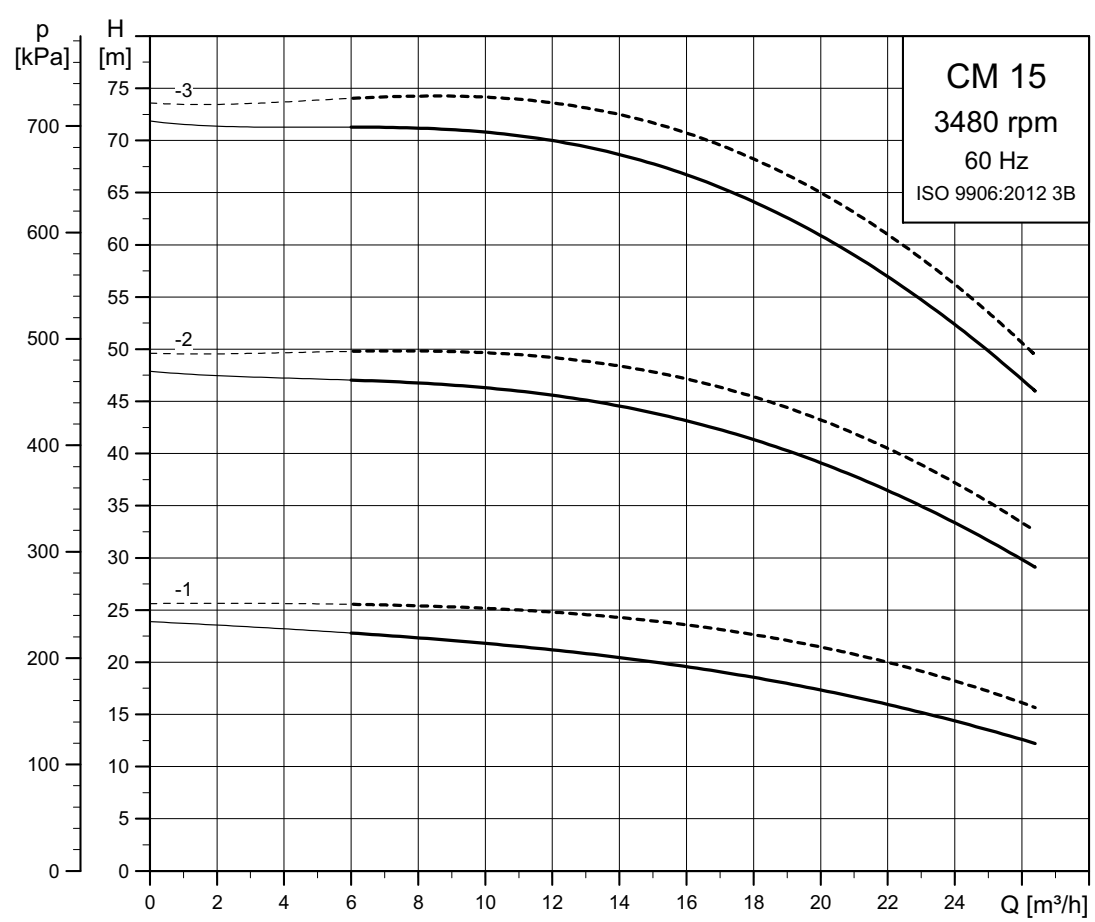
CM 10



----- CM-A
 ——— CM-I/G

TM04 3373 4616

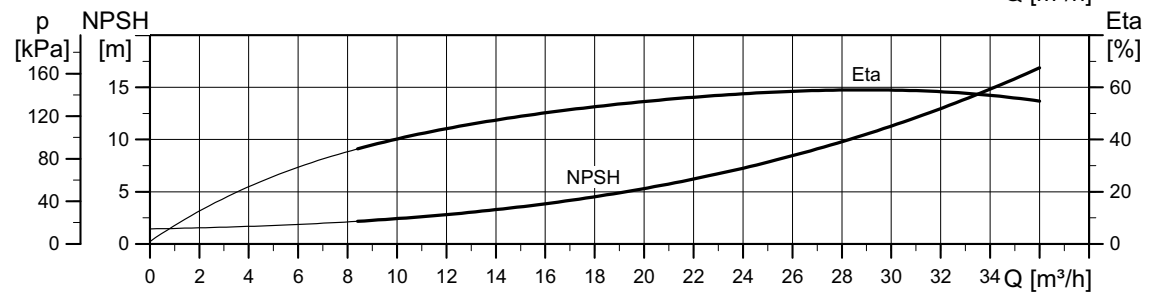
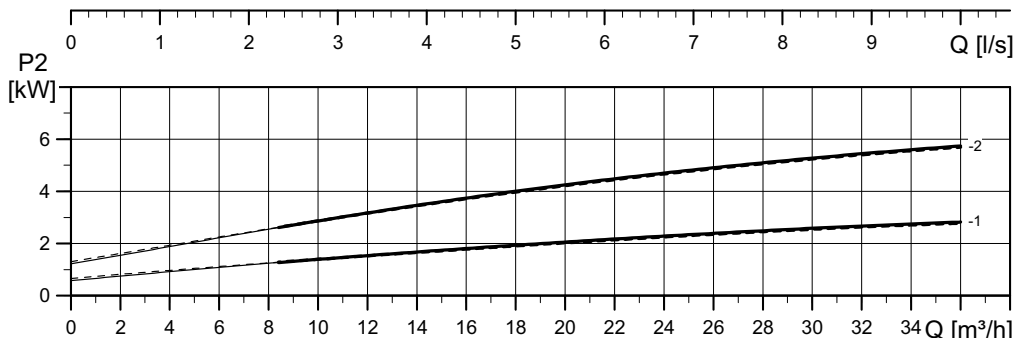
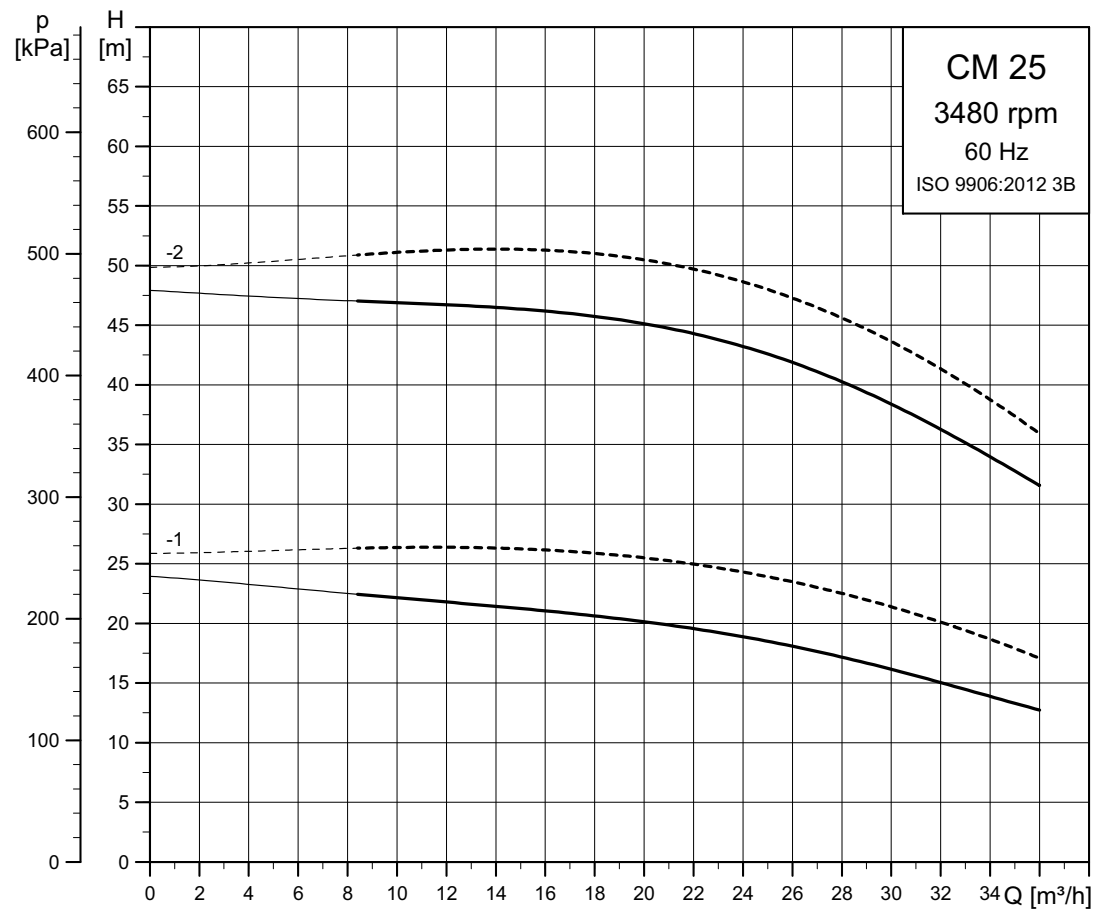
CM 15



----- CM-A
 ——— CM-I/G

TM04 3374 4616

CM 25

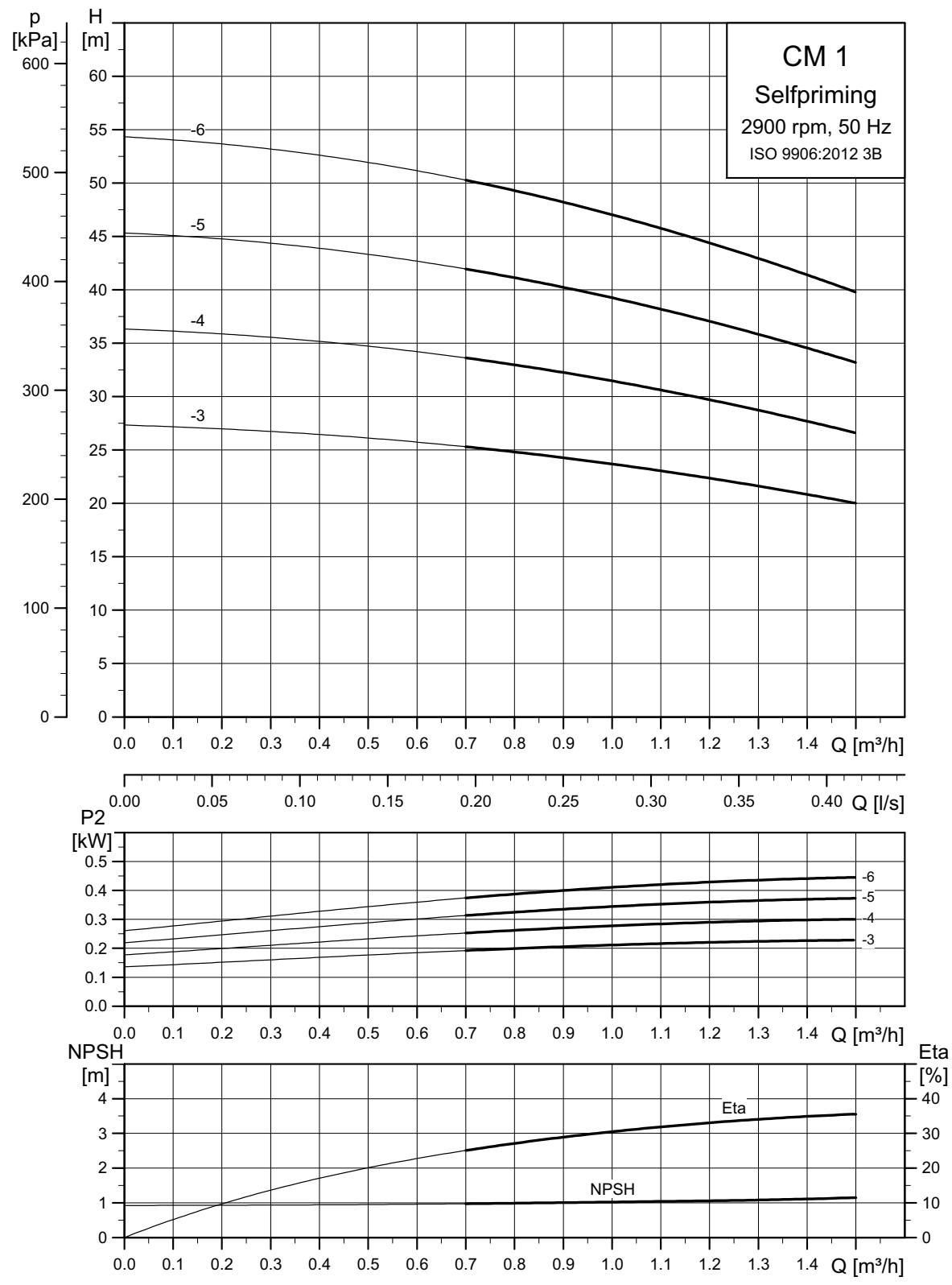


----- CM-A
 ——— CM-I/G

TM04 3375 4616

18. Performance curves, CM self-priming, 50 Hz

CM 1



Note: Pump performance is influenced by the suction lift. See page 52.

TM05 8756 4616

Pump performance in relation to suction lift

CM 1-3

Pump head [m]		Flow [m ³ /h]						
		0	0.25	0.5	0.75	1	1.25	1.5
Suction lift [m]	0	27.3	26.9	26.1	25.1	23.7	22.0	20.0
	1	26.3	25.9	25.1	24.1	22.7	21.0	19.0
	2	25.3	24.9	24.1	23.1	21.7	20.0	18.0
	3	24.3	23.9	23.1	22.1	20.7	19.0	17.0
	4	23.3	22.9	22.1	21.1	19.7	18.0	16.0

CM 1-4

Pump head [m]		Flow [m ³ /h]						
		0	0.25	0.5	0.75	1	1.25	1.5
Suction lift [m]	0	36.3	35.7	34.7	33.3	31.5	29.2	26.6
	1	35.3	34.7	33.7	32.3	30.5	28.2	25.6
	2	34.3	33.7	32.7	31.3	29.5	27.2	24.6
	3	33.3	32.7	31.7	30.3	28.5	26.2	23.6
	4	32.3	31.7	30.7	29.3	27.5	25.2	22.6

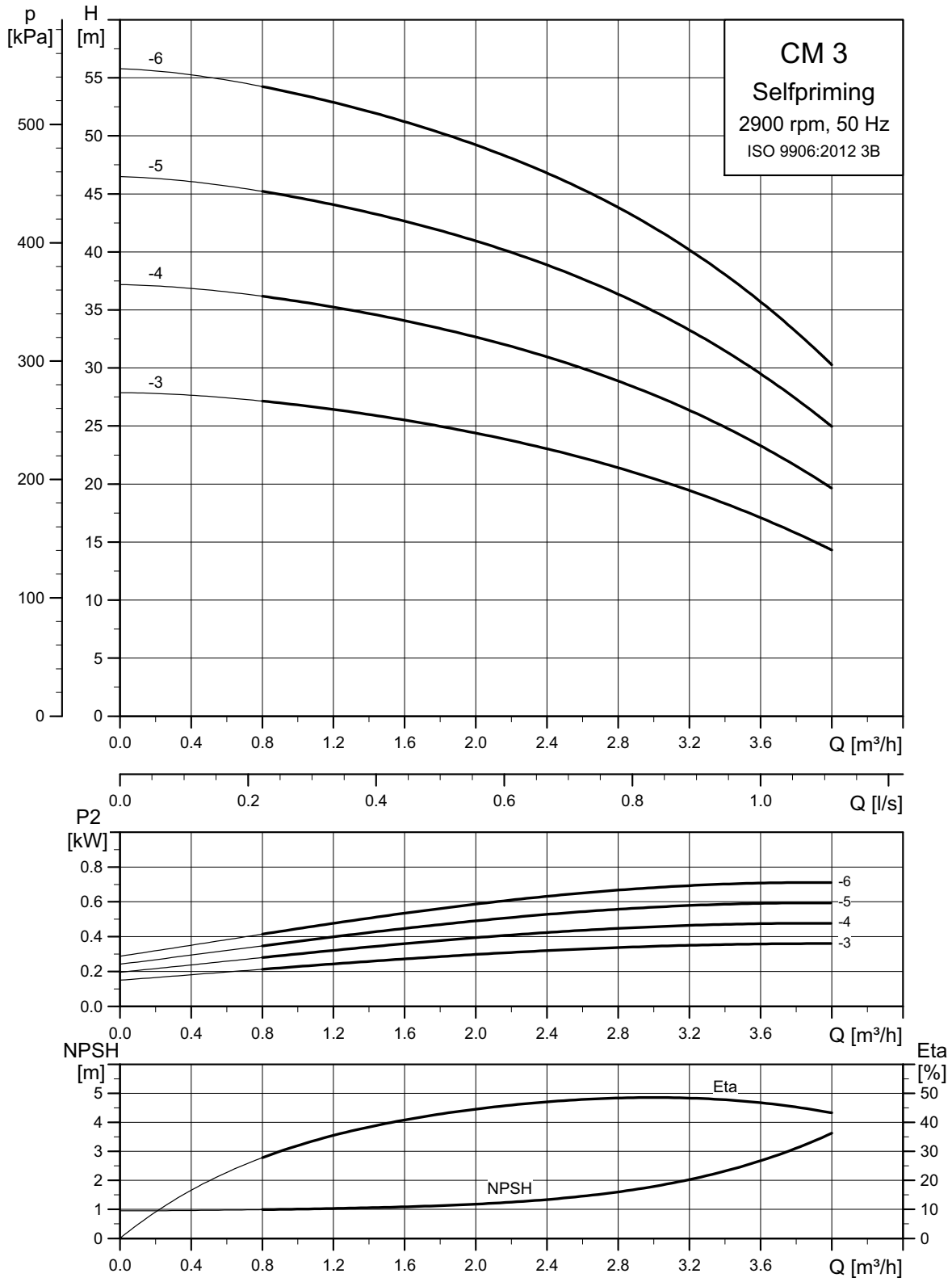
CM 1-5

Pump head [m]		Flow [m ³ /h]						
		0	0.25	0.5	0.75	1	1.25	1.5
Suction lift [m]	0	45.3	44.6	43.3	41.6	39.3	36.5	33.2
	1	44.3	43.6	42.3	40.6	38.3	35.5	32.2
	2	43.3	42.6	41.3	39.6	37.3	34.5	31.2
	3	42.3	41.6	40.3	38.6	36.3	33.5	30.2
	4	41.3	40.6	39.3	37.6	35.3	32.5	29.2

CM 1-6

Pump head [m]		Flow [m ³ /h]						
		0	0.25	0.5	0.75	1	1.25	1.5
Suction lift [m]	0	54.3	53.4	51.9	49.8	47.0	43.7	39.8
	1	53.3	52.4	50.9	48.8	46.0	42.7	38.8
	2	52.3	51.4	49.9	47.8	45.0	41.7	37.8
	3	51.3	50.4	48.9	46.8	44.0	40.7	36.8
	4	50.3	49.4	47.9	45.8	43.0	39.7	35.8

CM 3



Note: Pump performance is influenced by the suction lift. See page 54.

TM05 8757 4616

Pump performance in relation to suction lift

CM 3-3

Pump head [m]		Flow [m ³ /h]								
		0	0.5	1	1.5	2	2.5	3	3.5**	4**
Suction lift [m]	0	27.9	27.5	26.8	25.8	24.4	22.7	20.5	17.7	14.3
	1	26.9	26.5	25.8	24.8	23.4	21.7	19.5	16.7	13.3
	2	25.9	25.5	24.8	23.8	22.4	20.7	18.5	15.7	12.3
	3	24.9	24.5	23.8	22.8	21.4	19.7	17.5	14.7	11.3
	4	23.9	23.5	22.8	21.8	20.4	18.7	16.5	13.7	10.3
	5*	22.9	22.5	21.8	20.8	19.4	17.7	15.5	-	-
	6*	21.9	21.5	20.8	19.8	18.4	16.7	14.5	-	-
	7*	20.9	20.5	19.8	18.8	17.4	15.7	-	-	-
	8*	19.9	19.5	18.8	17.8	-	-	-	-	-

CM 3-4

Pump head [m]		Flow [m ³ /h]								
		0	0.5	1	1.5	2	2.5	3	3.5**	4**
Suction lift [m]	0	37.2	36.7	35.7	34.4	32.7	30.5	27.7	24.1	19.6
	1	36.2	35.7	34.7	33.4	31.7	29.5	26.7	23.1	18.6
	2	35.2	34.7	33.7	32.4	30.7	28.5	25.7	22.1	17.6
	3	34.2	33.7	32.7	31.4	29.7	27.5	24.7	21.1	16.6
	4	33.2	32.7	31.7	30.4	28.7	26.5	23.7	20.1	15.6
	5*	32.2	31.7	30.7	29.4	27.7	25.5	22.7	-	-
	6*	31.2	30.7	29.7	28.4	26.7	24.5	21.7	-	-
	7*	30.2	29.7	28.7	27.4	25.7	23.5	-	-	-
	8*	29.2	28.7	27.7	26.4	-	-	-	-	-

CM 3-5

Pump head [m]		Flow [m ³ /h]								
		0	0.5	1	1.5	2	2.5	3	3.5**	4**
Suction lift [m]	0	46.5	45.9	44.7	43.0	40.9	38.3	34.9	30.5	25.0
	1	45.5	44.9	43.7	42.0	39.9	37.3	33.9	29.5	24.0
	2	44.5	43.9	42.7	41.0	38.9	36.3	32.9	28.5	23.0
	3	43.5	42.9	41.7	40.0	37.9	35.3	31.9	27.5	22.0
	4	42.5	41.9	40.7	39.0	36.9	34.3	30.9	26.5	21.0
	5*	41.5	40.9	39.7	38.0	35.9	33.3	29.9	-	-
	6*	40.5	39.9	38.7	37.0	34.9	32.3	28.9	-	-
	7*	39.5	38.9	37.7	36.0	33.9	31.3	-	-	-
	8*	38.5	37.9	36.7	35.0	-	-	-	-	-

CM 3-6

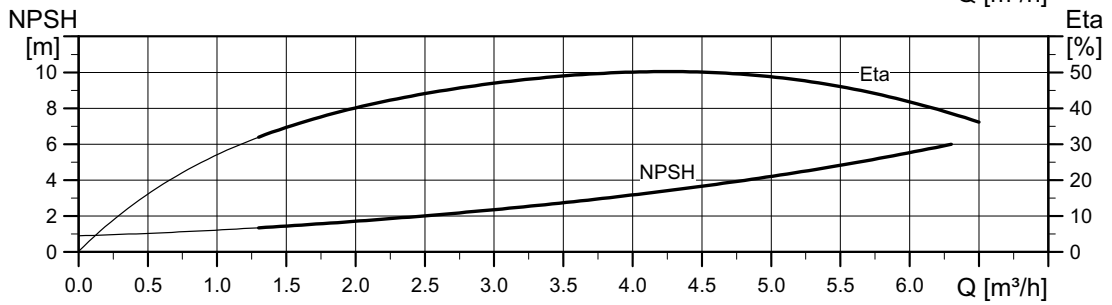
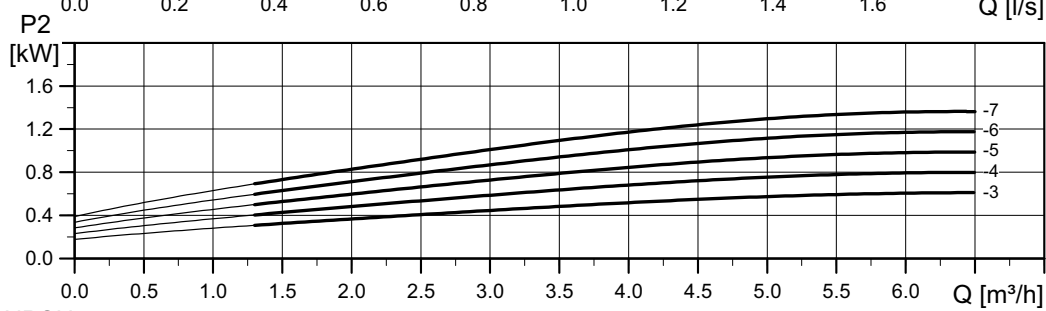
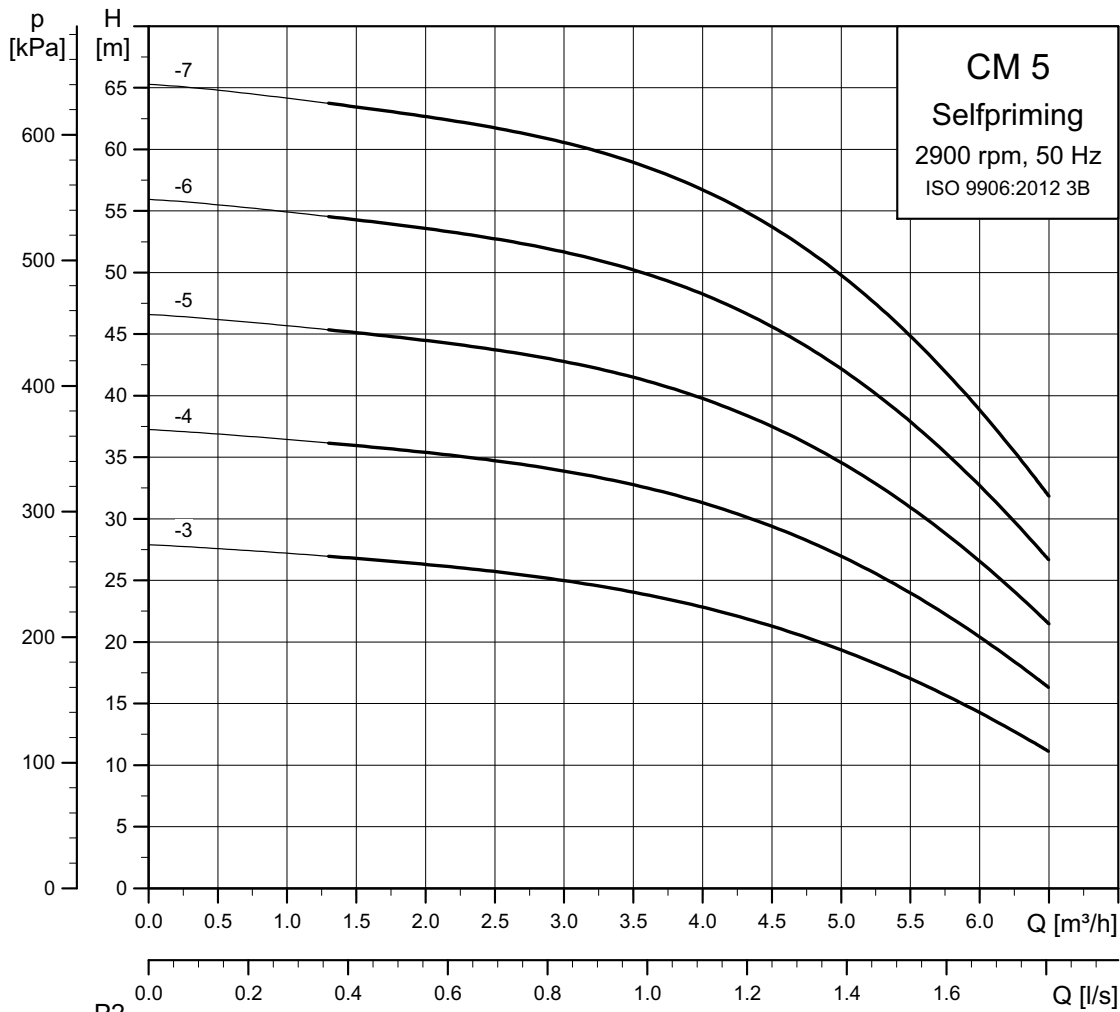
Pump head [m]		Flow [m ³ /h]								
		0	0.5	1	1.5	2	2.5	3	3.5**	4**
Suction lift [m]	0	55.8	55.0	53.6	51.7	49.2	46.1	42.1	36.9	30.3
	1	54.8	54.0	52.6	50.7	48.2	45.1	41.1	35.9	29.3
	2	53.8	53.0	51.6	49.7	47.2	44.1	40.1	34.9	28.3
	3	52.8	52.0	50.6	48.7	46.2	43.1	39.1	33.9	27.3
	4	51.8	51.0	49.6	47.7	45.2	42.1	38.1	32.9	26.3
	5*	50.8	50.0	48.6	46.7	44.2	41.1	37.1	-	-
	6*	49.8	49.0	47.6	45.7	43.2	40.1	36.1	-	-
	7*	48.8	48.0	46.6	44.7	42.2	39.1	-	-	-
	8*	47.8	47.0	45.6	43.7	-	-	-	-	-

Note: Depending on the pump model, the maximum suction depth varies between 7.5 and 8.5 m.

* Only available in O-version

** Only available in S-version

CM 5



Note: Pump performance is influenced by the suction lift. See page 56.

TM05 8758 4616

Pump performance in relation to suction lift

CM 5-3

Pump head [m]	Flow [m ³ /h]													
	0	0.5	1	1.5	2	2.5	3	3.5	4	4.5	5	5.5**	6**	6.5**
0	27.9	27.6	27.2	26.8	26.3	25.7	25.0	24.0	22.8	21.3	19.4	17.0	14.3	11.1
1	26.9	26.6	26.2	25.8	25.3	24.7	24.0	23.0	21.8	20.3	18.4	16.0	13.3	10.1
2	25.9	25.6	25.2	24.8	24.3	23.7	23.0	22.0	20.8	19.3	17.4	15.0	12.3	-
3	24.9	24.6	24.2	23.8	23.3	22.7	22.0	21.0	19.8	18.3	16.4	-	-	-
4	23.9	23.6	23.2	22.8	22.3	21.7	21.0	20.0	18.8	17.3	-	-	-	-
5*	22.9	22.6	22.2	21.8	21.3	20.7	20.0	19.0	17.8	-	-	-	-	-
6*	21.9	21.6	21.2	20.8	20.3	19.7	19.0	-	-	-	-	-	-	-
7*	20.9	20.6	20.2	19.8	19.3	-	-	-	-	-	-	-	-	-
8*	19.9	19.6	19.2	18.8	-	-	-	-	-	-	-	-	-	-

CM 5-4

Pump head [m]	Flow [m ³ /h]													
	0	0.5	1	1.5	2	2.5	3	3.5	4	4.5	5	5.5**	6**	6.5**
0	37.3	36.9	36.4	35.9	35.4	34.7	33.9	32.8	31.3	29.4	27.0	24.0	20.4	16.3
1	36.3	35.9	35.4	34.9	34.4	33.7	32.9	31.8	30.3	28.4	26.0	23.0	19.4	15.3
2	35.3	34.9	34.4	33.9	33.4	32.7	31.9	30.8	29.3	27.4	25.0	22.0	18.4	-
3	34.3	33.9	33.4	32.9	32.4	31.7	30.9	29.8	28.3	26.4	24.0	-	-	-
4	33.3	32.9	32.4	31.9	31.4	30.7	29.9	28.8	27.3	25.4	-	-	-	-
5*	32.3	31.9	31.4	30.9	30.4	29.7	28.9	27.8	26.3	-	-	-	-	-
6*	31.3	30.9	30.4	29.9	29.4	28.7	27.9	-	-	-	-	-	-	-
7*	30.3	29.9	29.4	28.9	28.4	-	-	-	-	-	-	-	-	-
8*	29.3	28.9	28.4	27.9	-	-	-	-	-	-	-	-	-	-

CM 5-5

Pump head [m]	Flow [m ³ /h]													
	0	0.5	1	1.5	2	2.5	3	3.5	4	4.5	5	5.5**	6**	6.5**
0	46.6	46.2	45.7	45.1	44.5	43.7	42.8	41.5	39.8	37.5	34.6	30.9	26.5	21.5
1	45.6	45.2	44.7	44.1	43.5	42.7	41.8	40.5	38.8	36.5	33.6	29.9	25.5	20.5
2	44.6	44.2	43.7	43.1	42.5	41.7	40.8	39.5	37.8	35.5	32.6	28.9	24.5	-
3	43.6	43.2	42.7	42.1	41.5	40.7	39.8	38.5	36.8	34.5	31.6	-	-	-
4	42.6	42.2	41.7	41.1	40.5	39.7	38.8	37.5	35.8	33.5	-	-	-	-
5*	41.6	41.2	40.7	40.1	39.5	38.7	37.8	36.5	34.8	-	-	-	-	-
6*	40.6	40.2	39.7	39.1	38.5	37.7	36.8	-	-	-	-	-	-	-
7*	39.6	39.2	38.7	38.1	37.5	-	-	-	-	-	-	-	-	-
8*	38.6	38.2	37.7	37.1	-	-	-	-	-	-	-	-	-	-

Note: Depending on the pump model, the maximum suction depth varies between 7.5 and 8.5 m.

* Only available in O-version

** Only available in S-version

CM 5-6

Pump head [m]	Flow [m ³ /h]													
	0	0.5	1	1.5	2	2.5	3	3.5	4	4.5	5	5.5**	6**	6.5**
0	55.9	55.5	54.9	54.3	53.6	52.7	51.7	50.2	48.2	45.6	42.2	37.9	32.7	26.6
1	54.9	54.5	53.9	53.3	52.6	51.7	50.7	49.2	47.2	44.6	41.2	36.9	31.7	25.6
2	53.9	53.5	52.9	52.3	51.6	50.7	49.7	48.2	46.2	43.6	40.2	35.9	30.7	-
3	52.9	52.5	51.9	51.3	50.6	49.7	48.7	47.2	45.2	42.6	39.2	-	-	-
4	51.9	51.5	50.9	50.3	49.6	48.7	47.7	46.2	44.2	41.6	-	-	-	-
5*	50.9	50.5	49.9	49.3	48.6	47.7	46.7	45.2	43.2	-	-	-	-	-
6*	49.9	49.5	48.9	48.3	47.6	46.7	45.7	-	-	-	-	-	-	-
7*	48.9	48.5	47.9	47.3	46.6	-	-	-	-	-	-	-	-	-
8*	47.9	47.5	46.9	46.3	-	-	-	-	-	-	-	-	-	-

CM 5-7

Pump head [m]	Flow [m ³ /h]													
	0	0.5	1	1.5	2	2.5	3	3.5	4	4.5	5	5.5**	6**	6.5**
0	65.3	64.8	64.2	63.4	62.7	61.7	60.6	58.9	56.7	53.7	49.8	44.8	38.8	31.1
1	64.3	63.8	63.2	62.4	61.7	60.7	59.6	57.9	55.7	52.7	48.8	43.8	37.8	30.1
2	63.3	62.8	62.2	61.4	60.7	59.7	58.6	56.9	54.7	51.7	47.8	42.8	36.8	-
3	62.3	61.8	61.2	60.4	59.7	58.7	57.6	55.9	53.7	50.7	46.8	-	-	-
4	61.3	60.8	60.2	59.4	58.7	57.7	56.6	54.9	52.7	49.7	-	-	-	-
5*	60.3	59.8	59.2	58.4	57.7	56.7	55.6	53.9	51.7	-	-	-	-	-
6*	59.3	58.8	58.2	57.4	56.7	55.7	54.6	-	-	-	-	-	-	-
7*	58.3	57.8	57.2	56.4	55.7	-	-	-	-	-	-	-	-	-
8*	57.3	56.8	56.2	55.4	-	-	-	-	-	-	-	-	-	-

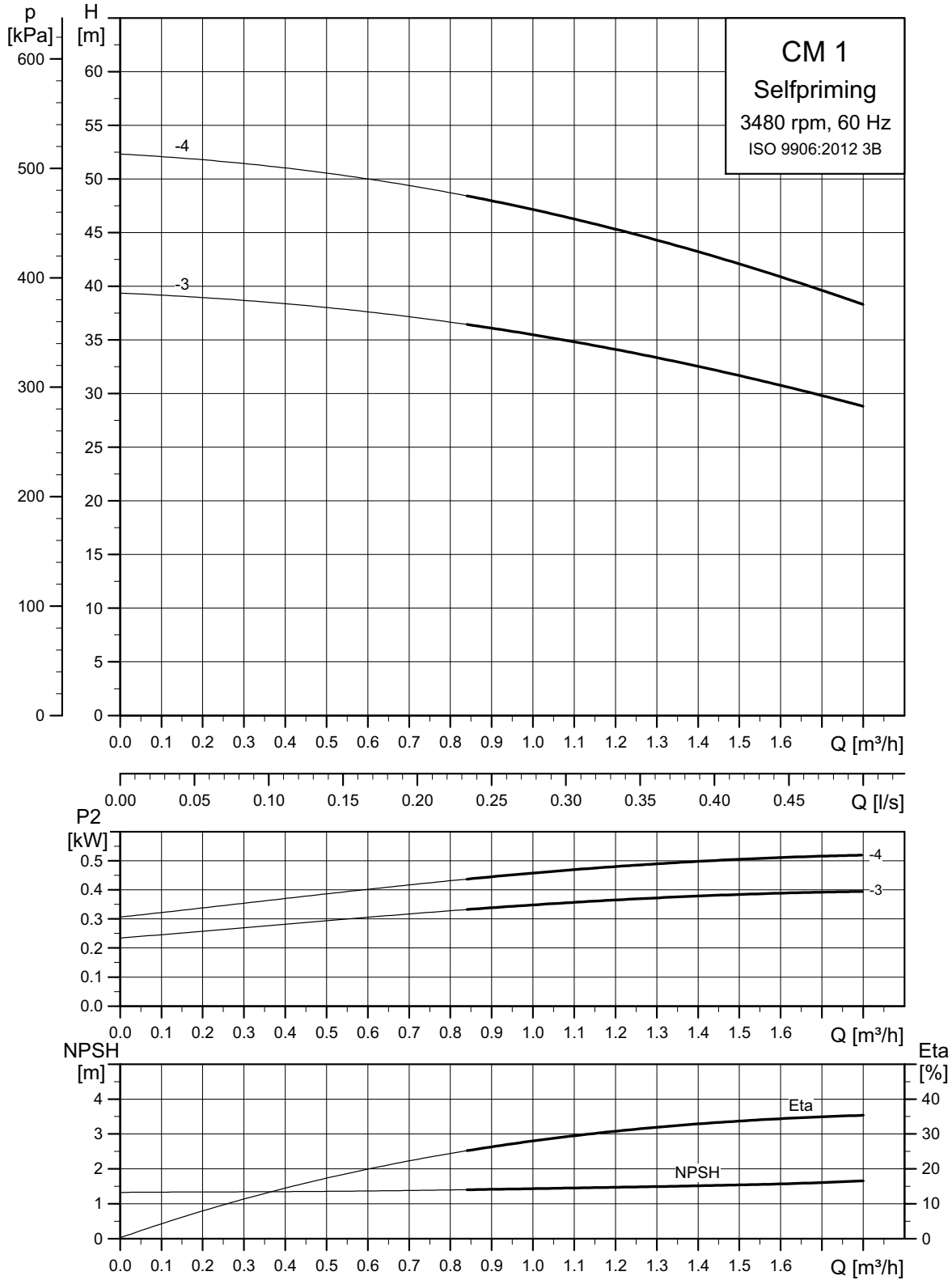
Note: Depending on the pump model, the maximum suction depth varies between 7.5 and 8.5 m.

* Only available in O-version

** Only available in S-version

19. Performance curves, CM self-priming, 60 Hz

CM 1



Note: Pump performance is influenced by the suction lift. See page 59.

TM05 8793 4616

Pump performance in relation to suction lift

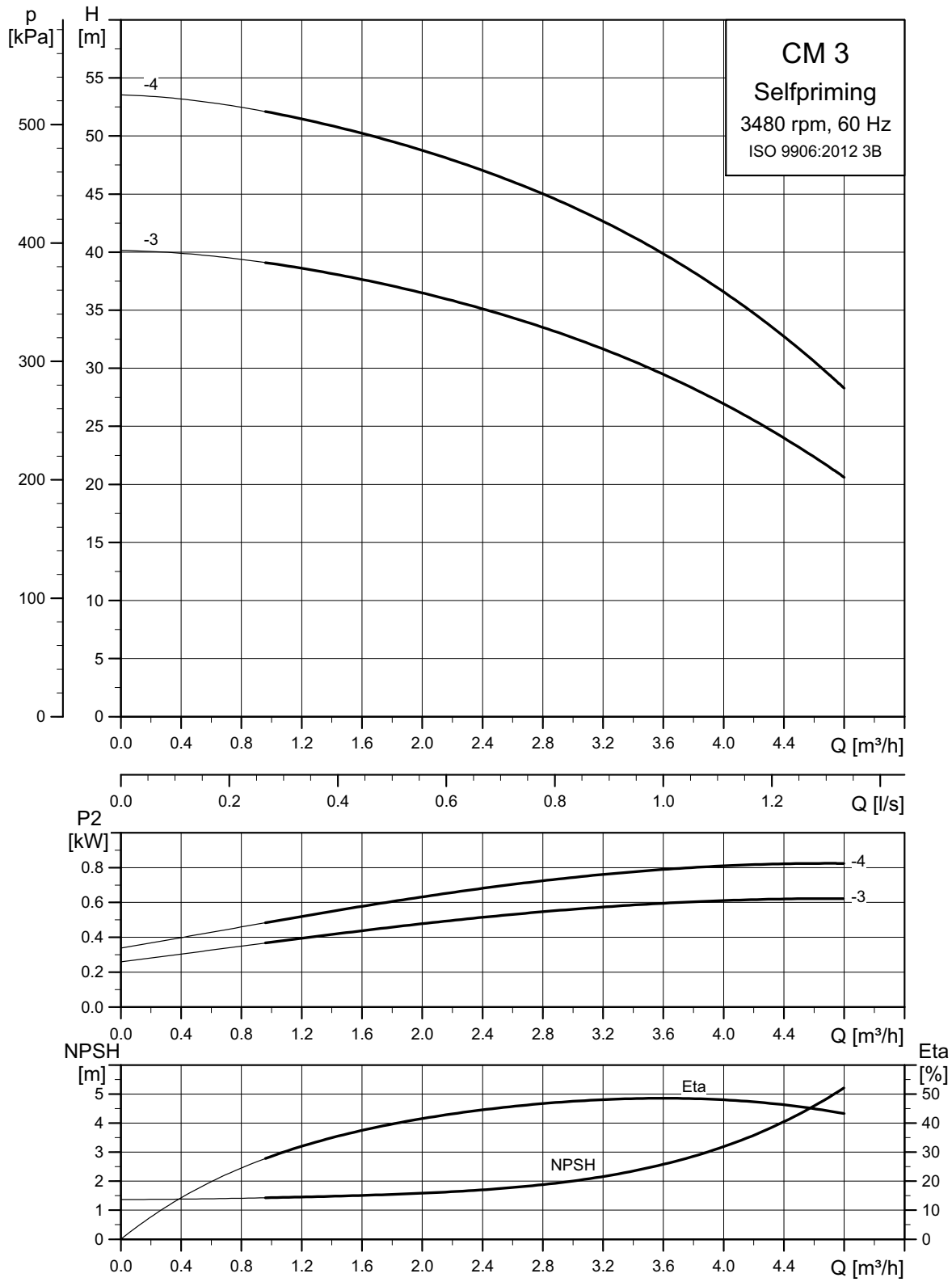
CM 1-3

Pump head [m]		Flow [m ³ /h]										
		0	0.25	0.5	0.75	1	1.25	1.5	1.75	2	2.25	2.5
Suction lift [m]	0	39.4	38.8	38.0	36.9	35.5	33.7	31.7	29.3	26.7	23.8	20.8
	1	38.4	37.8	37.0	35.9	34.5	32.7	30.7	28.3	25.7	22.8	19.8
	2	37.4	36.8	36.0	34.9	33.5	31.7	29.7	27.3	24.7	21.8	18.8
	3	36.4	35.8	35.0	33.9	32.5	30.7	28.7	26.3	23.7	20.8	17.8
	4	35.4	34.8	34.0	32.9	31.5	29.7	27.7	25.3	22.7	19.8	16.8

CM 1-4

Pump head [m]		Flow [m ³ /h]										
		0	0.25	0.5	0.75	1	1.25	1.5	1.75	2	2.25	2.5
Suction lift [m]	0	52.3	51.6	50.5	49.1	47.2	44.8	42.1	39.0	35.5	31.7	27.7
	1	51.3	50.6	49.5	48.1	46.2	43.8	41.1	38.0	34.5	30.7	26.7
	2	50.3	49.6	48.5	47.1	45.2	42.8	40.1	37.0	33.5	29.7	25.7
	3	49.3	48.6	47.5	46.1	44.2	41.8	39.1	36.0	32.5	28.7	24.7
	4	48.3	47.6	46.5	45.1	43.2	40.8	38.1	35.0	31.5	27.7	23.7

CM 3



Note: Pump performance is influenced by the suction lift. See page 61.

TM05 8794 4616

Pump performance in relation to suction lift

CM 3-3

Pump head [m]	Flow [m ³ /h]											
	0	0.5	1	1.5	2	2.5	3	3.5	4**	4.5**	5**	
Suction lift [m]	0	40.1	39.8	39.0	37.9	36.5	34.7	32.6	30.1	26.9	23.2	18.7
	1	39.1	38.8	38.0	36.9	35.5	33.7	31.6	29.1	25.9	22.2	17.7
	2	38.1	37.8	37.0	35.9	34.5	32.7	30.6	28.1	24.9	21.2	16.7
	3	37.1	36.8	36.0	34.9	33.5	31.7	29.6	27.1	23.9	20.2	-
	4	36.1	35.8	35.0	33.9	32.5	30.7	28.6	26.1	22.9	-	-
	5*	35.1	34.8	34.0	32.9	31.5	29.7	27.6	-	-	-	-
	6*	34.1	33.8	33.0	31.9	30.5	28.7	26.6	-	-	-	-
	7*	33.1	32.8	32.0	30.9	29.5	27.7	-	-	-	-	-
	8*	32.1	31.8	31.0	29.9	-	-	-	-	-	-	-

CM 3-4

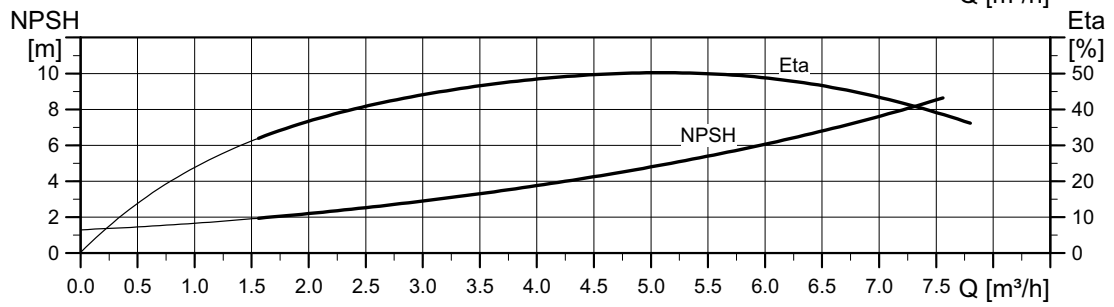
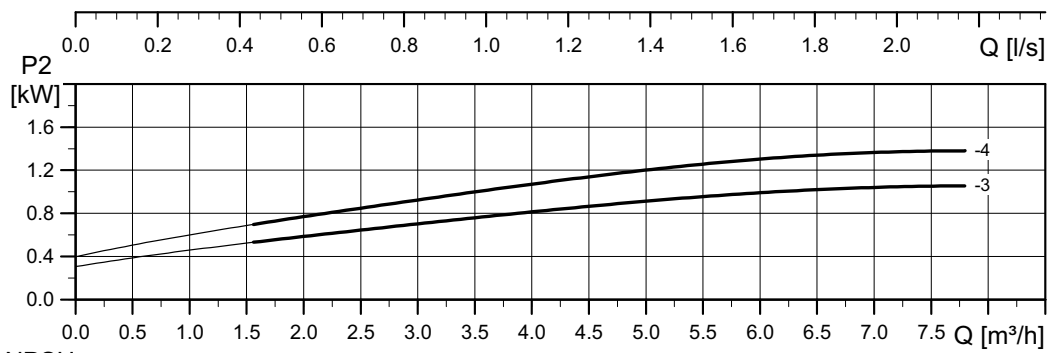
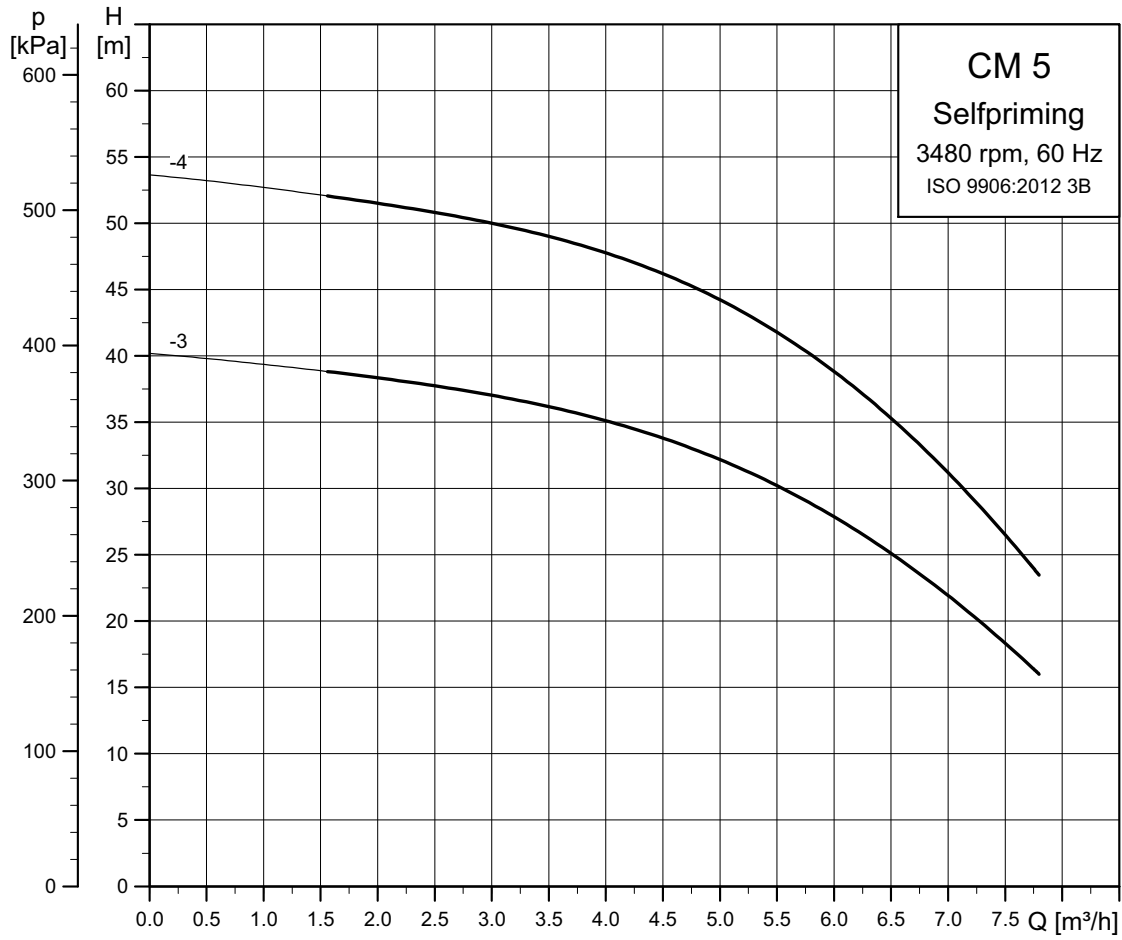
Pump head [m]	Flow [m ³ /h]											
	0	0.5	1	1.5	2	2.5	3	3.5	4**	4.5**	5**	
Suction lift [m]	0	53.5	53.0	52.0	50.6	48.8	46.6	43.9	40.6	36.6	31.7	25.8
	1	52.5	52.0	51.0	49.6	47.8	45.6	42.9	39.6	35.6	30.7	24.8
	2	51.5	51.0	50.0	48.6	46.8	44.6	41.9	38.6	34.6	29.7	23.8
	3	50.5	50.0	49.0	47.6	45.8	43.6	40.9	37.6	33.6	28.7	-
	4	49.5	49.0	48.0	46.6	44.8	42.6	39.9	36.6	32.6	-	-
	5*	48.5	48.0	47.0	45.6	43.8	41.6	38.9	-	-	-	-
	6*	47.5	47.0	46.0	44.6	42.8	40.6	37.9	-	-	-	-
	7*	46.5	46.0	45.0	43.6	41.8	39.6	-	-	-	-	-
	8*	45.5	45.0	44.0	42.6	-	-	-	-	-	-	-

Note: Depending on the pump model, the maximum suction depth varies between 7.5 and 8.5 m.

* Only available in O-version

** Only available in S-version

CM 5



Note: Pump performance is influenced by the suction lift. See page 63.

TM05 8795 4616

Pump performance in relation to suction lift

CM 5-3

Pump head [m]	Flow [m ³ /h]																
	0	0.5	1	1.5	2	2.5	3	3.5	4	4.5	5	5.5	6	6.5**	7**	7.5**	
Suction lift [m]	0	40.2	39.8	39.4	38.9	38.3	37.7	37.0	36.2	35.1	33.8	32.2	30.2	27.9	25.1	21.9	18.3
	1	39.2	38.8	38.4	37.9	37.3	36.7	36.0	35.2	34.1	32.8	31.2	29.2	26.9	24.1	-	-
	2	38.2	37.8	37.4	36.9	36.3	35.7	35.0	34.2	33.1	31.8	30.2	28.2	25.9	-	-	-
	3	37.2	36.8	36.4	35.9	35.3	34.7	34.0	33.2	32.1	30.8	29.2	-	-	-	-	-
	4	36.2	35.8	35.4	34.9	34.3	33.7	33.0	32.2	31.1	29.8	-	-	-	-	-	-
	5*	35.2	34.8	34.4	33.9	33.3	32.7	32.0	31.2	30.1	-	-	-	-	-	-	-
	6*	34.2	33.8	33.4	32.9	32.3	31.7	31.0	-	-	-	-	-	-	-	-	-
	7*	33.2	32.8	32.4	31.9	31.3	-	-	-	-	-	-	-	-	-	-	-
	8*	32.2	31.8	31.4	30.9	-	-	-	-	-	-	-	-	-	-	-	-

CM 5-4

Pump head [m]	Flow [m ³ /h]																
	0	0.5	1	1.5	2	2.5	3	3.5	4	4.5	5	5.5	6	6.5**	7**	7.5**	
Suction lift [m]	0	53.6	53.2	52.7	52.1	51.5	50.8	50.0	49.0	47.8	46.2	44.2	41.8	38.8	35.3	31.2	26.5
	1	52.6	52.2	51.7	51.1	50.5	49.8	49.0	48.0	46.8	45.2	43.2	40.8	37.8	34.3	-	-
	2	51.6	51.2	50.7	50.1	49.5	48.8	48.0	47.0	45.8	44.2	42.2	39.8	36.8	-	-	-
	3	50.6	50.2	49.7	49.1	48.5	47.8	47.0	46.0	44.8	43.2	41.2	-	-	-	-	-
	4	49.6	49.2	48.7	48.1	47.5	46.8	46.0	45.0	43.8	42.2	-	-	-	-	-	-
	5*	48.6	48.2	47.7	47.1	46.5	45.8	45.0	44.0	42.8	-	-	-	-	-	-	-
	6*	47.6	47.2	46.7	46.1	45.5	44.8	44.0	-	-	-	-	-	-	-	-	-
	7*	46.6	46.2	45.7	45.1	44.5	-	-	-	-	-	-	-	-	-	-	-
	8*	45.6	45.2	44.7	44.1	-	-	-	-	-	-	-	-	-	-	-	-

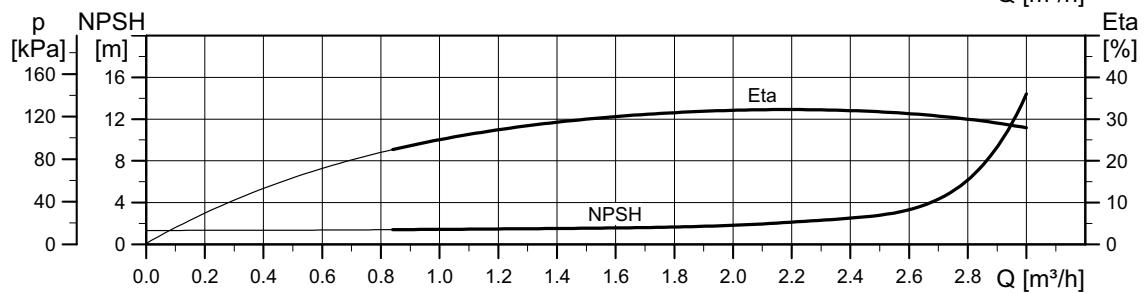
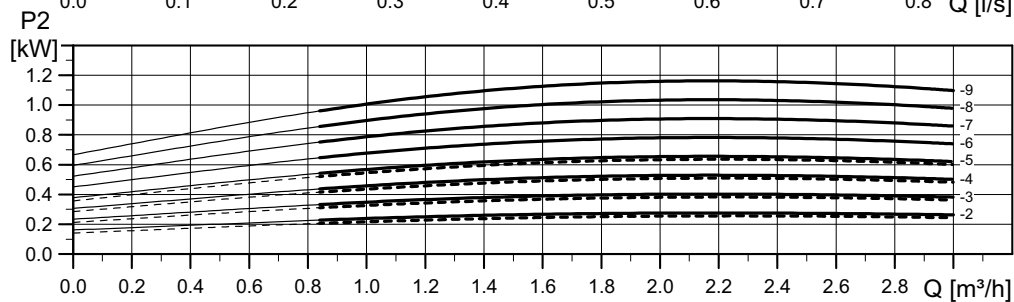
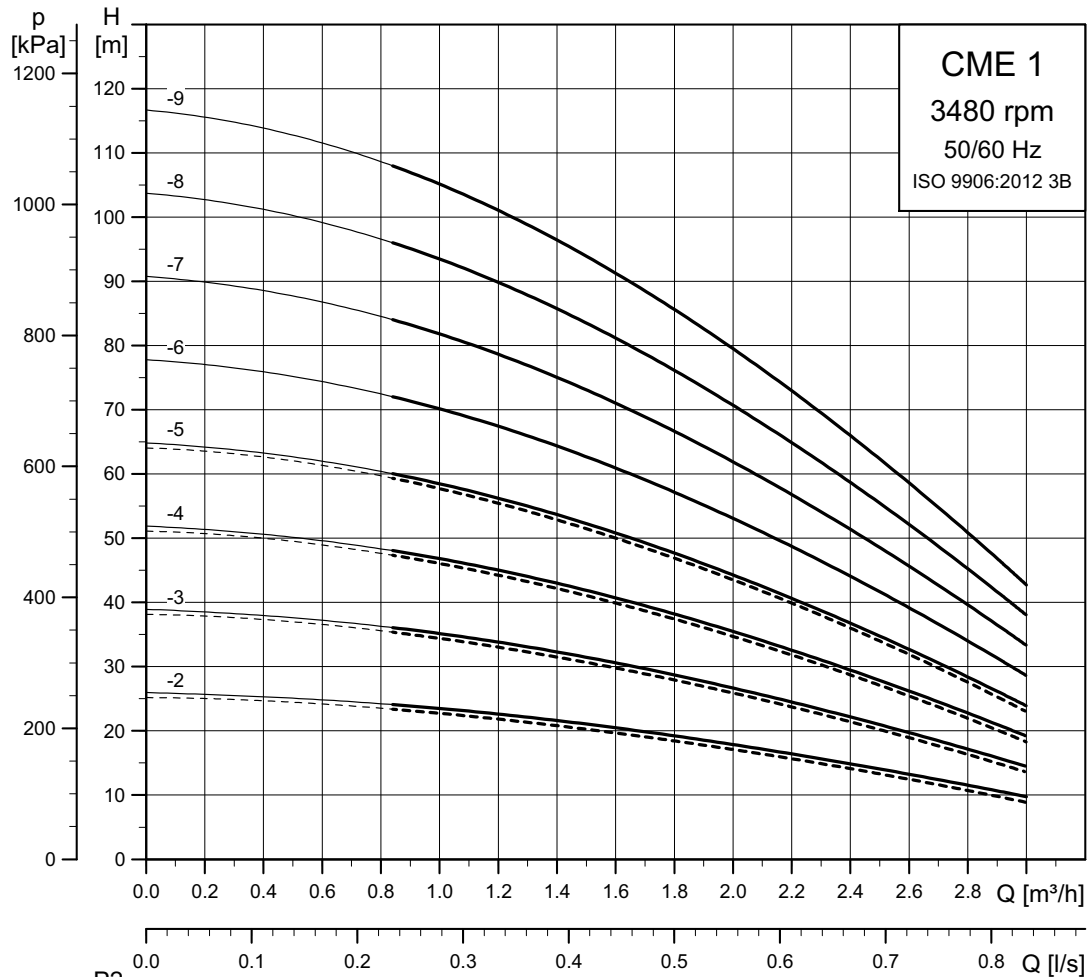
Note: Depending on the pump model, the maximum suction depth varies between 7.5 and 8.5 m.

* Only available in O-version

** Only available in S-version

20. Performance curves, CME 50/60 Hz

CME 1

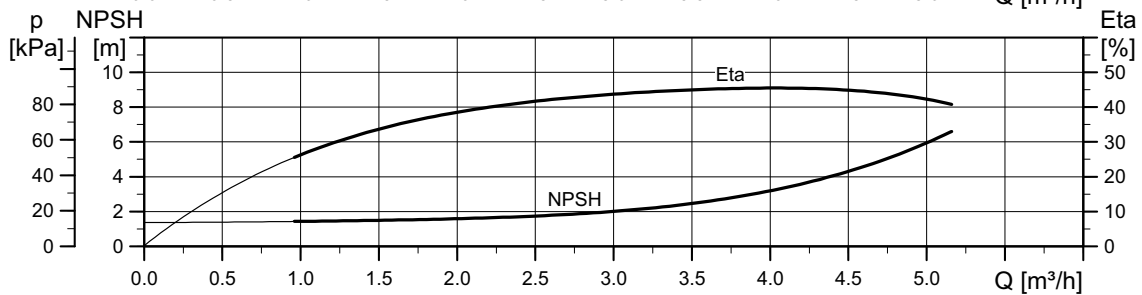
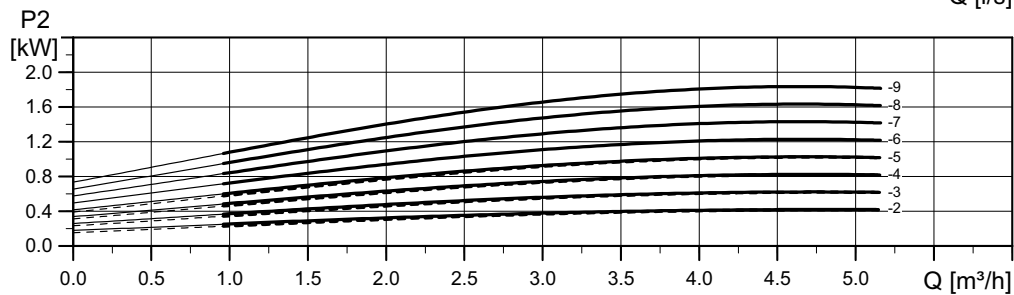
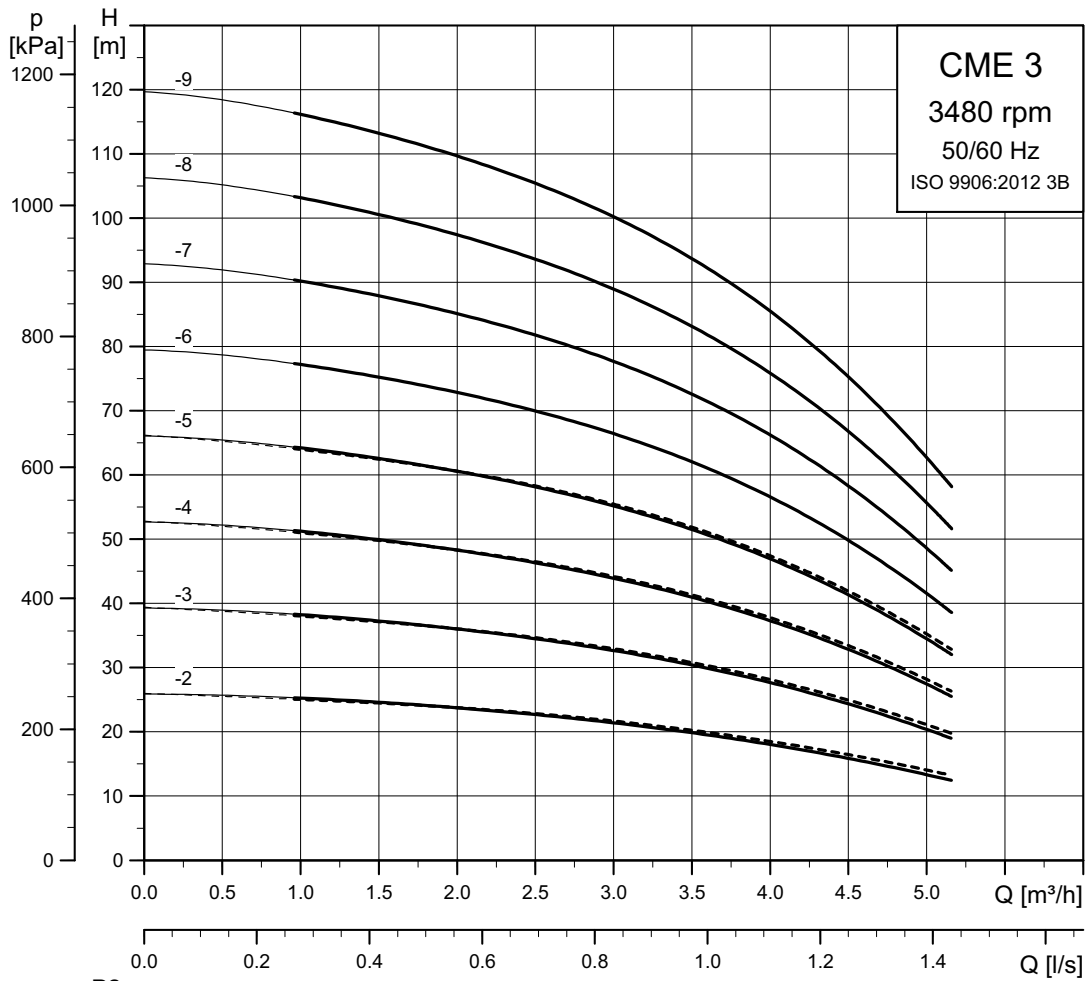


----- CME-A
———— CME-I/G

Note: Irrespective of the input frequency, the 100 % speed of CME pumps is approximately 3400 min⁻¹.

TM04 3569 4616

CME 3

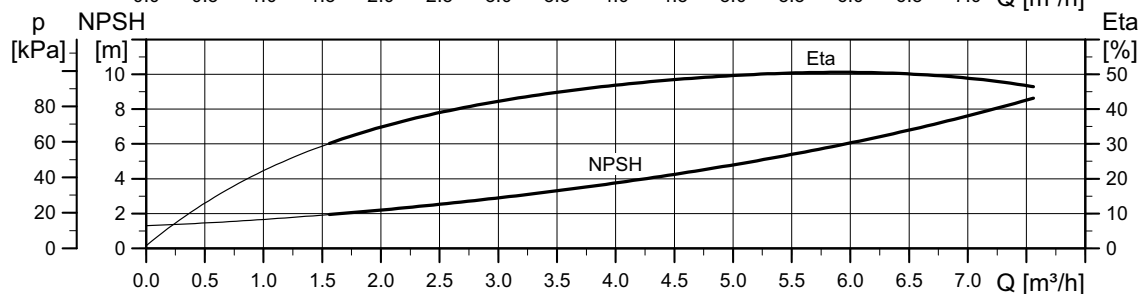
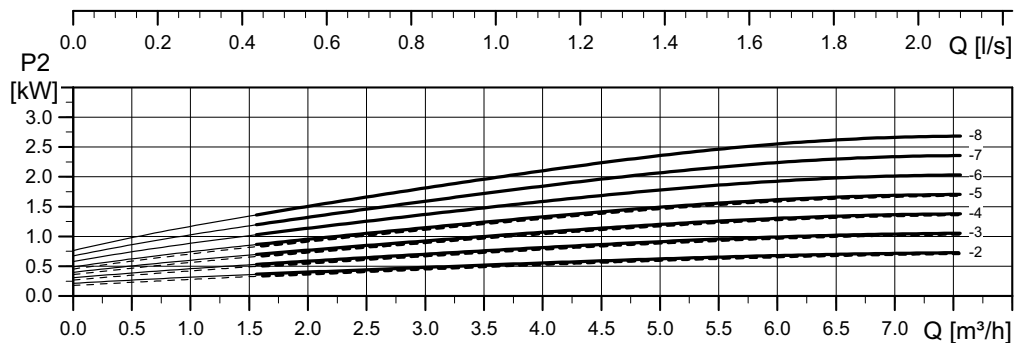
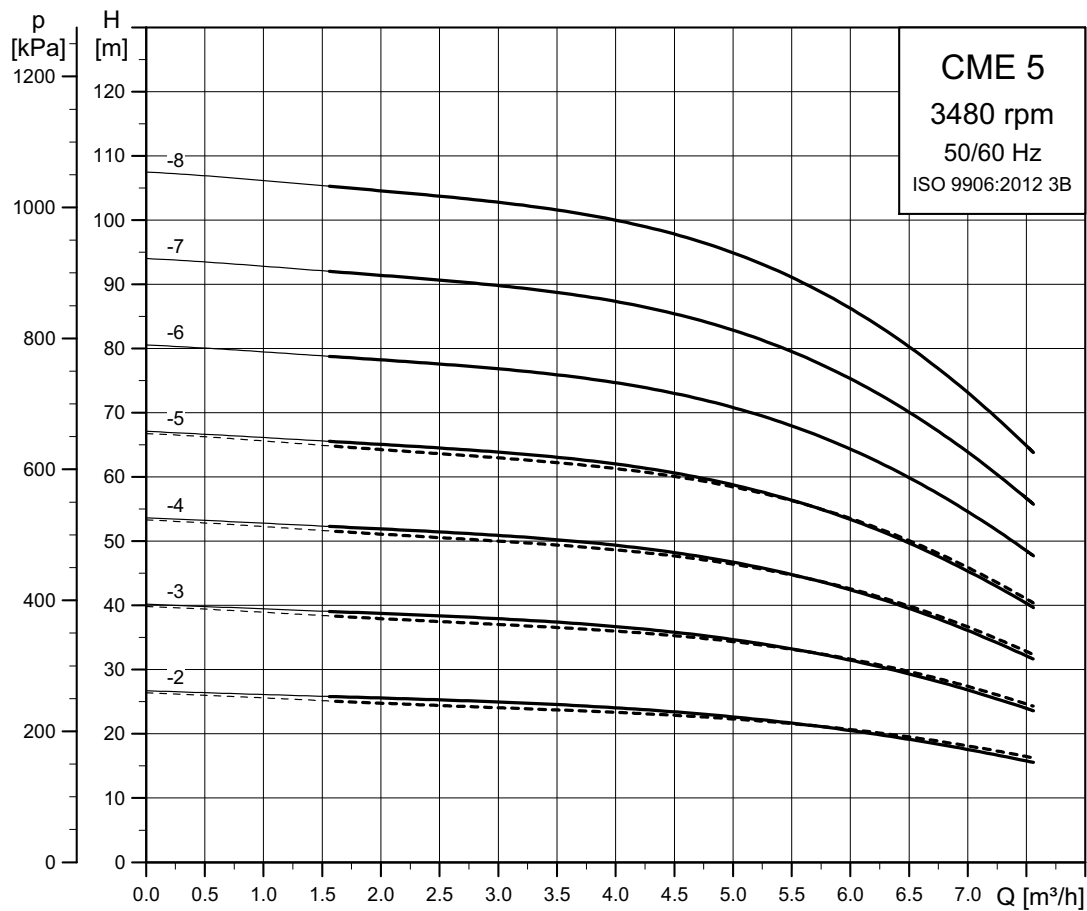


----- CME-A
———— CME-I/G

Note: Irrespective of the input frequency, the 100 % speed of CME pumps is approximately 3400 min⁻¹.

TM04 3570 4616

CME 5

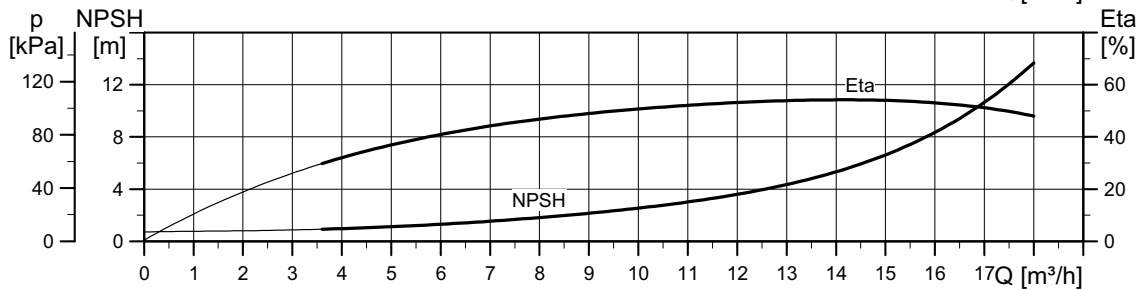
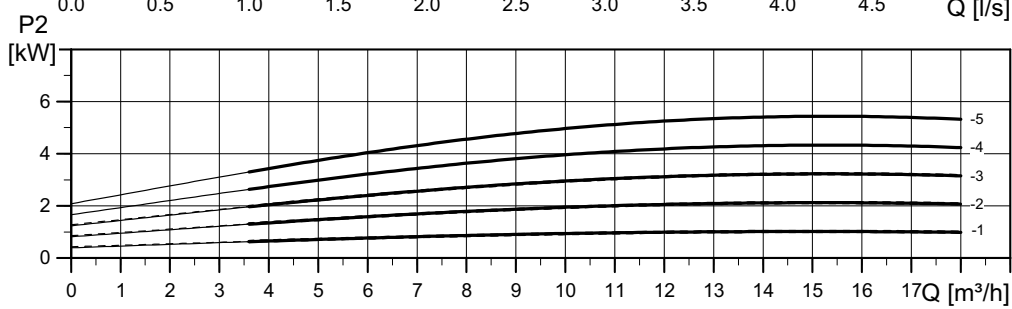
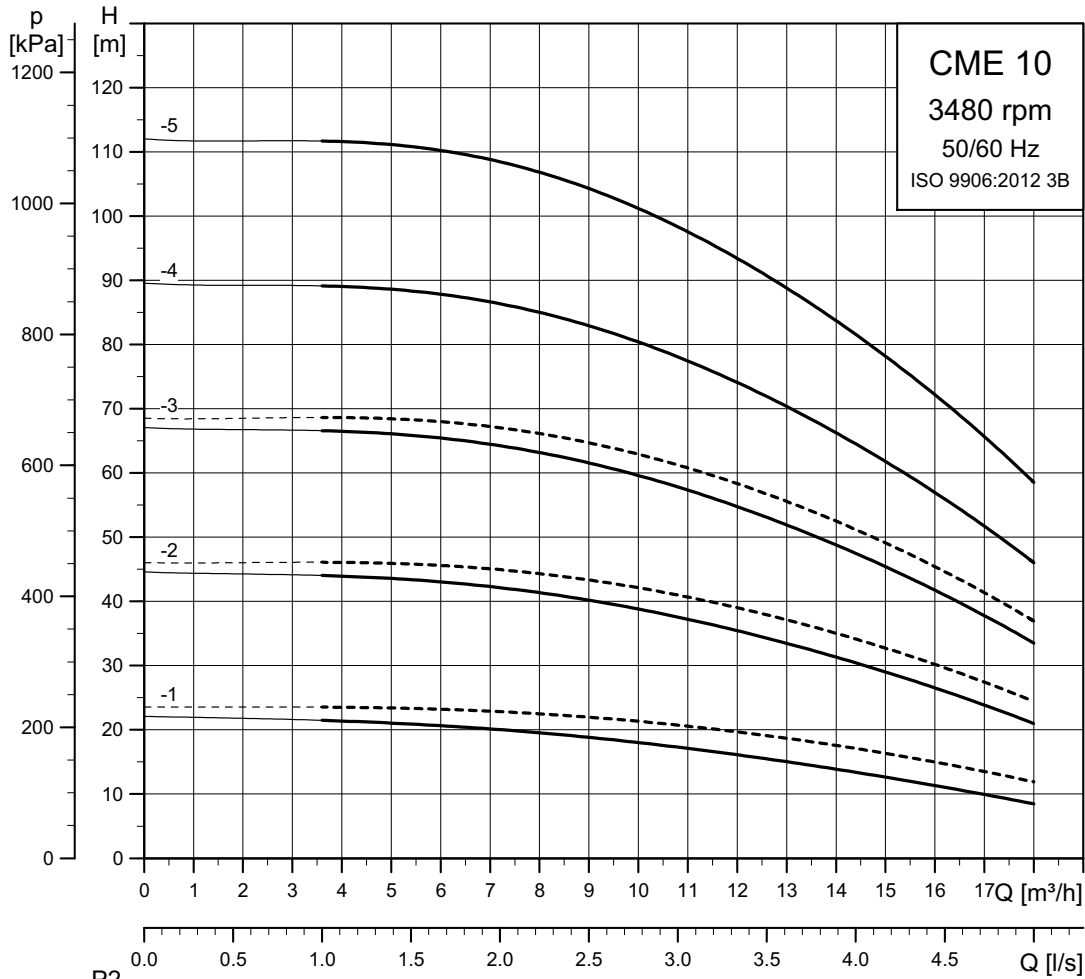


----- CME-A
———— CME-I/G

Note: Irrespective of the input frequency, the 100 % speed of CME pumps is approximately 3400 min⁻¹.

TM04 3571 4616

CME 10

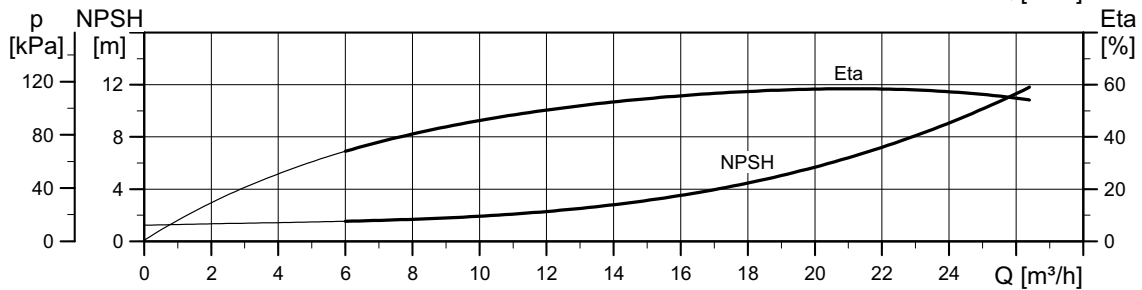
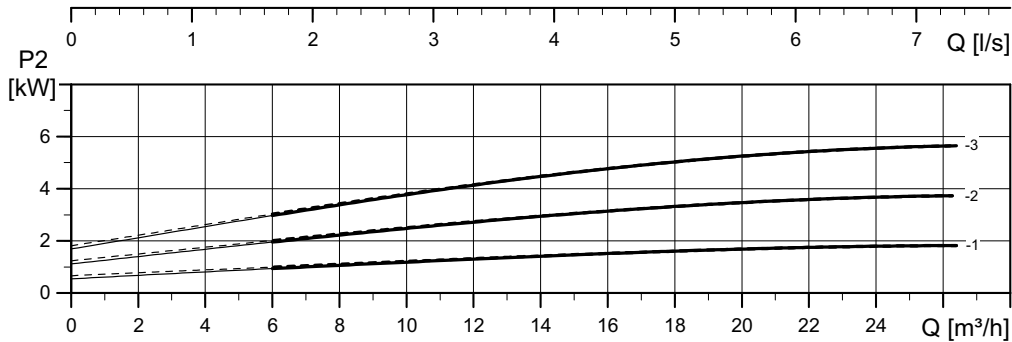
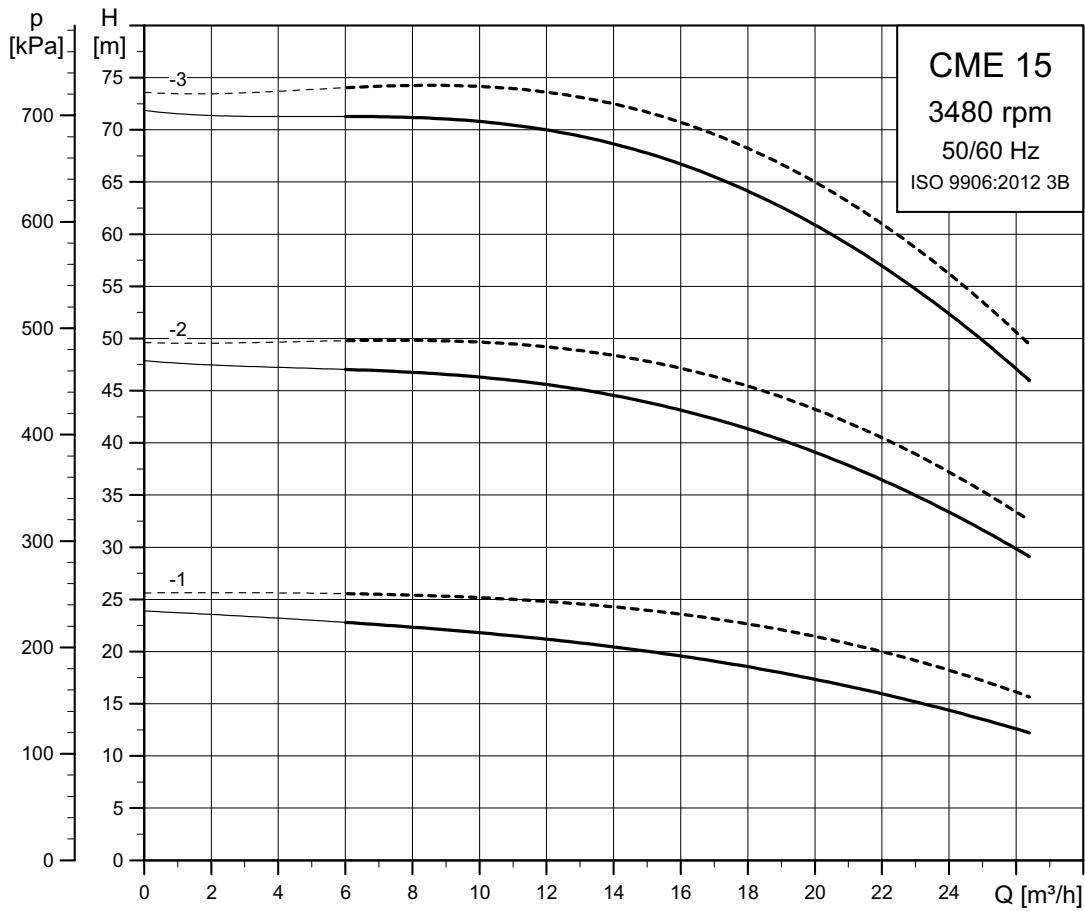


----- CME-A
———— CME-I/G

Note: Irrespective of the input frequency, the 100 % speed of CME pumps is approximately 3400 min⁻¹.

TM04 3572 4616

CME 15

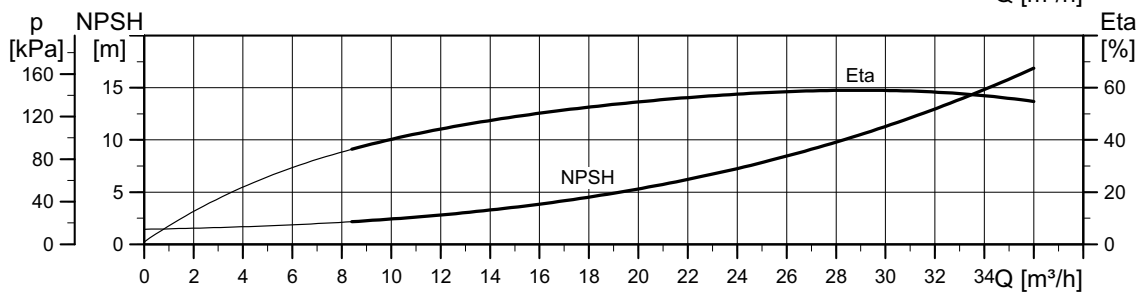
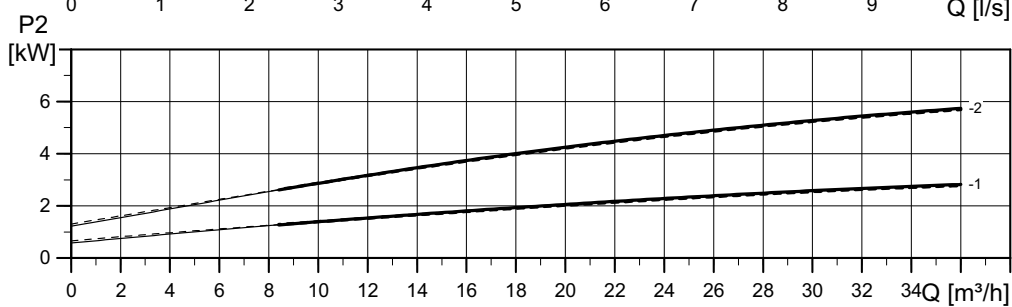
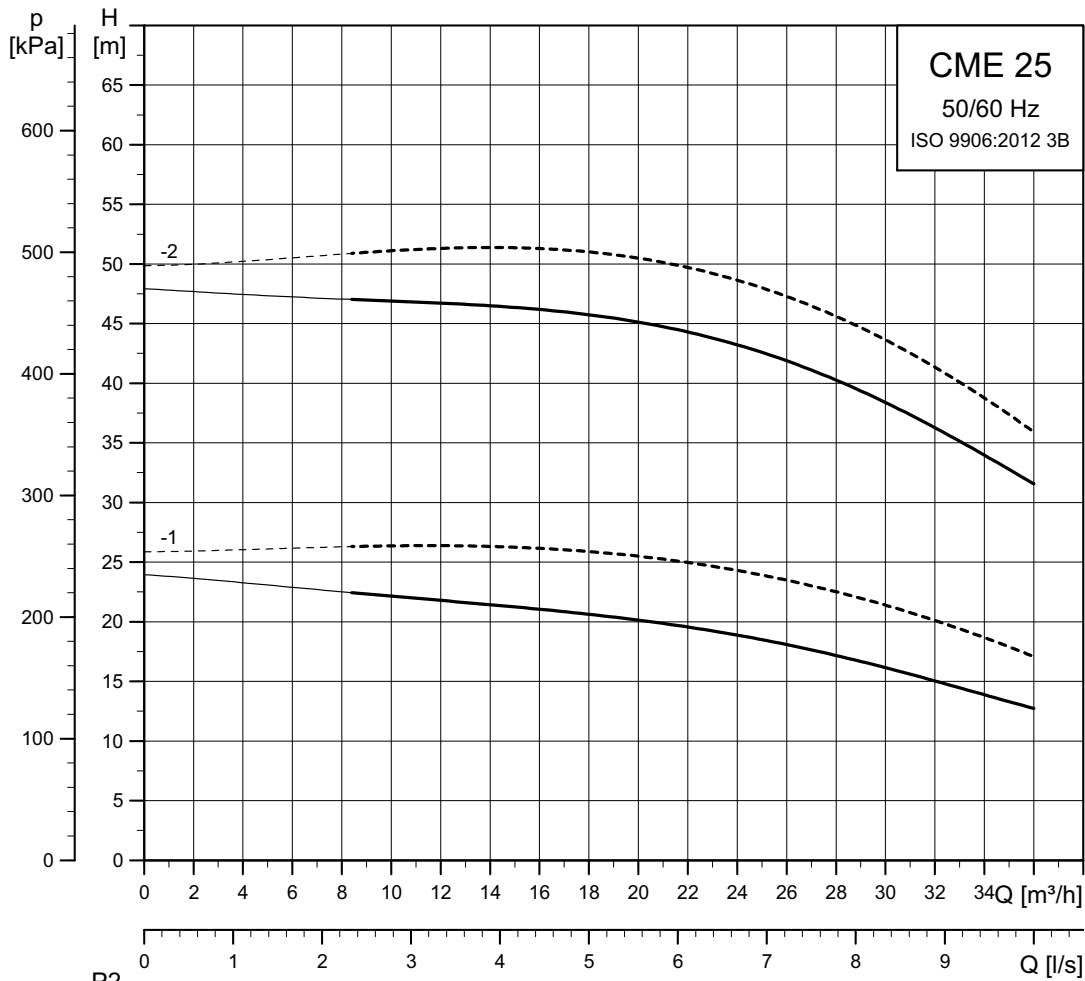


----- CME-A
 ——— CME-I/G

Note: Irrespective of the input frequency, the 100 % speed of CME pumps is approximately 3400 min⁻¹.

TM04 3573 4616

CME 25



----- CME-A
 ——— CME-I/G

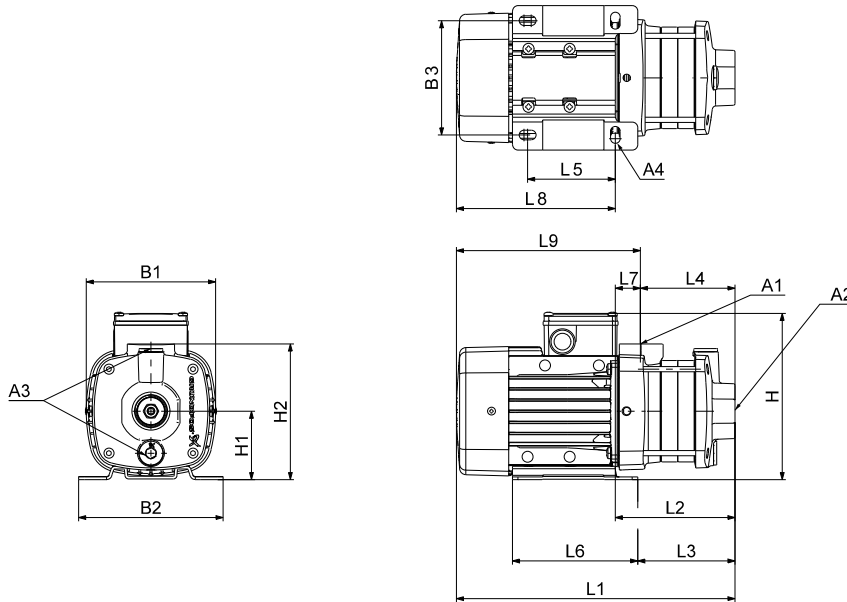
Note: Irrespective of the input frequency, the 100 % speed of CME pumps is approximately 3400 min⁻¹.

TM04 3574 4616

21. Dimensions, CM 50 Hz

CM 1-A

(A = cast iron EN-GJL-200)



TM06 7509 3616

Dimensions

3 x 220-240/380-415 V, 50 Hz (supply voltage F)

Pump type	Frame size	P ₂ [kW]	Dimensions [mm]																		
			A1	A2	A3	A4	B1	B2	B3	H	H1	H2	L1	L2	L3	L4	L5	L6	L7	L8	L9
CM 1-2	71	0.46	1"	1"	3/8"	10.5	141	158	125	184	75	149	286	112	88	85	96	137	27	174	201
CM 1-3	71	0.46	1"	1"	3/8"	10.5	141	158	125	184	75	149	304	130	106	103	96	137	27	174	201
CM 1-4	71	0.46	1"	1"	3/8"	10.5	141	158	125	184	75	149	322	148	124	121	96	137	27	174	201
CM 1-5	71	0.46	1"	1"	3/8"	10.5	141	158	125	184	75	149	340	166	142	139	96	137	27	174	201
CM 1-6	71	0.46	1"	1"	3/8"	10.5	141	158	125	184	75	149	358	184	160	157	96	137	27	174	201
CM 1-7	71	0.65	1"	1"	3/8"	10.5	141	158	125	184	75	149	376	202	178	175	96	137	27	174	201
CM 1-8	71	0.65	1"	1"	3/8"	10.5	141	158	125	184	75	149	394	220	196	193	96	137	27	174	201

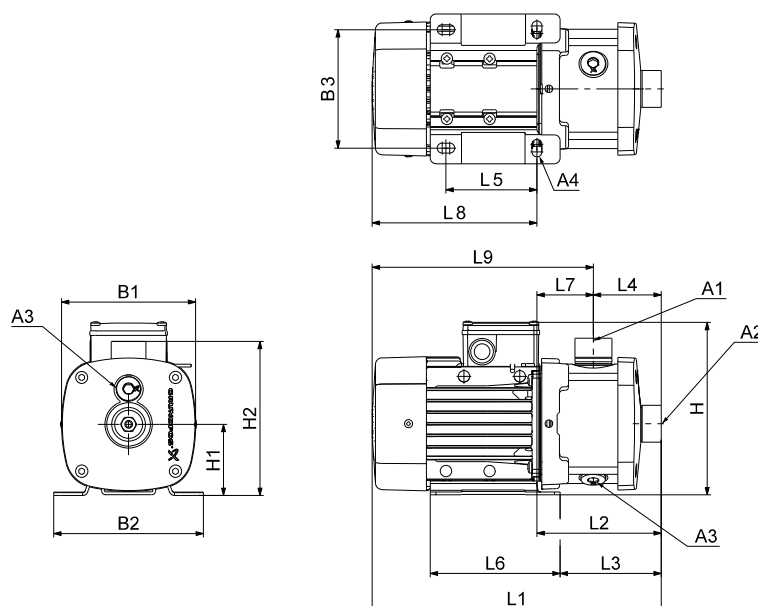
1 x 220-240 V, 50 Hz (supply voltage C)

Pump type	Frame size	P ₂ [kW]	Dimensions [mm]																		
			A1	A2	A3	A4	B1	B2	B3	H	H1	H2	L1	L2	L3	L4	L5	L6	L7	L8	L9
CM 1-2	71	0.30	1"	1"	3/8"	10.5	141	158	125	208	75	149	286	112	88	85	96	137	27	174	201
CM 1-3	71	0.30	1"	1"	3/8"	10.5	141	158	125	208	75	149	304	130	106	103	96	137	27	174	201
CM 1-4	71	0.50	1"	1"	3/8"	10.5	141	158	125	208	75	149	322	148	124	121	96	137	27	174	201
CM 1-5	71	0.50	1"	1"	3/8"	10.5	141	158	125	208	75	149	340	166	142	139	96	137	27	174	201
CM 1-6	71	0.50	1"	1"	3/8"	10.5	141	158	125	208	75	149	358	184	160	157	96	137	27	174	201
CM 1-7	71	0.50	1"	1"	3/8"	10.5	141	158	125	208	75	149	376	202	178	175	96	137	27	174	201
CM 1-8	80	0.67	1"	1"	3/8"	10.5	141	158	125	208	75	151	434	220	196	193	96	137	27	214	241

All dimensions are in mm unless otherwise stated.

CM 1-I and CM 1-G

(I = EN 1.4301/AISI 304 and G = EN 1.4401/AISI 316)



TM06 7507 3616

Dimensions

3 x 220-240/380-415 V, 50 Hz (supply voltage F)

Pump type	Frame size	P ₂ [kW]	Dimensions [mm]																		
			A1	A2	A3	A4	B1	B2	B3	H	H1	H2	L1	L2	L3	L4	L5	L6	L7	L8	L9
CM 1-2	71	0.46	1"	1"	3/8"	10.5	141	158	125	184	75	165	306	132	108	72	96	137	60	174	234
CM 1-3	71	0.46	1"	1"	3/8"	10.5	141	158	125	184	75	165	306	132	108	72	96	137	60	174	234
CM 1-4	71	0.46	1"	1"	3/8"	10.5	141	158	125	184	75	165	324	150	126	90	96	137	60	174	234
CM 1-5	71	0.46	1"	1"	3/8"	10.5	141	158	125	184	75	165	342	168	144	108	96	137	60	174	234
CM 1-6	71	0.46	1"	1"	3/8"	10.5	141	158	125	184	75	165	378	204	180	144	96	137	60	174	234
CM 1-7	71	0.65	1"	1"	3/8"	10.5	141	158	125	184	75	165	378	204	180	144	96	137	60	174	234
CM 1-8	71	0.65	1"	1"	3/8"	10.5	141	158	125	184	75	165	414	240	216	180	96	137	60	174	234
CM 1-9	71	0.65	1"	1"	3/8"	10.5	141	158	125	184	75	165	414	240	216	180	96	137	60	174	234
CM 1-10	80	1.10	1"	1"	3/8"	10.5	141	158	125	184	75	165	510	276	252	216	96	137	60	234	294
CM 1-11	80	1.10	1"	1"	3/8"	10.5	141	158	125	184	75	165	510	276	252	216	96	137	60	234	294
CM 1-12	80	1.10	1"	1"	3/8"	10.5	141	158	125	184	75	165	564	330	306	270	96	137	60	234	294
CM 1-13	80	1.10	1"	1"	3/8"	10.5	141	158	125	184	75	165	564	330	306	270	96	137	60	234	294
CM 1-14	80	1.10	1"	1"	3/8"	10.5	141	158	125	184	75	165	564	330	306	270	96	137	60	234	294

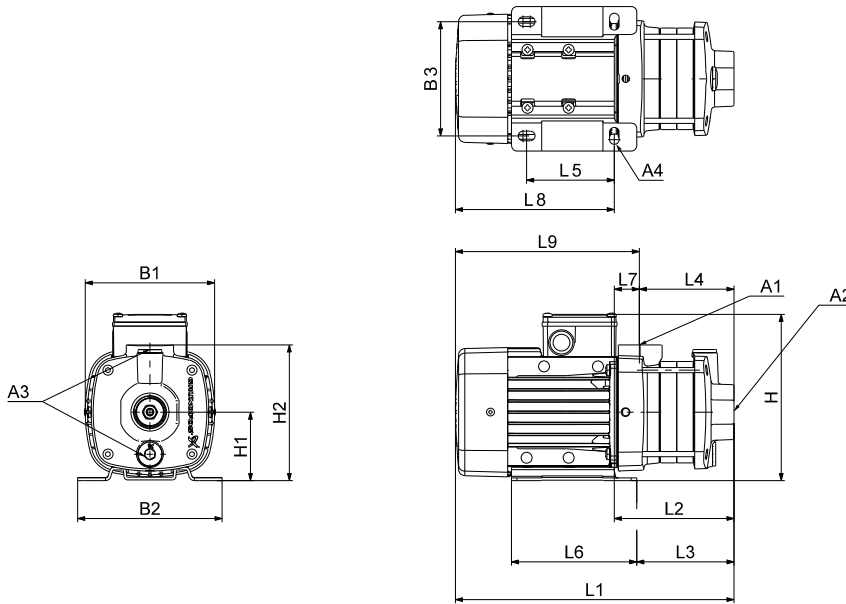
1 x 220-240 V, 50 Hz (supply voltage C)

Pump type	Frame size	P ₂ [kW]	Dimensions [mm]																		
			A1	A2	A3	A4	B1	B2	B3	H	H1	H2	L1	L2	L3	L4	L5	L6	L7	L8	L9
CM 1-2	71	0.30	1"	1"	3/8"	10.5	141	158	125	208	75	165	306	132	108	72	96	137	60	174	234
CM 1-3	71	0.30	1"	1"	3/8"	10.5	141	158	125	208	75	165	306	132	108	72	96	137	60	174	234
CM 1-4	71	0.50	1"	1"	3/8"	10.5	141	158	125	208	75	165	324	150	126	90	96	137	60	174	234
CM 1-5	71	0.50	1"	1"	3/8"	10.5	141	158	125	208	75	165	342	168	144	108	96	137	60	174	234
CM 1-6	71	0.50	1"	1"	3/8"	10.5	141	158	125	208	75	165	378	204	180	144	96	137	60	174	234
CM 1-7	71	0.50	1"	1"	3/8"	10.5	141	158	125	208	75	165	378	204	180	144	96	137	60	174	234
CM 1-8	80	0.67	1"	1"	3/8"	10.5	141	158	125	208	75	165	454	240	216	180	96	137	60	214	274
CM 1-9	80	0.67	1"	1"	3/8"	10.5	141	158	125	208	75	165	454	240	216	180	96	137	60	214	274
CM 1-10	80	0.67	1"	1"	3/8"	10.5	141	158	125	208	75	165	490	276	252	216	96	137	60	214	274
CM 1-11	80	0.90	1"	1"	3/8"	10.5	141	158	125	208	75	165	490	276	252	216	96	137	60	214	274
CM 1-12	80	0.90	1"	1"	3/8"	10.5	141	158	125	208	75	165	544	330	306	270	96	137	60	214	274
CM 1-13	80	0.90	1"	1"	3/8"	10.5	141	158	125	208	75	165	544	330	306	270	96	137	60	214	274
CM 1-14	90	1.30	1"	1"	3/8"	10.0	178	178	140	229	90	180	595	371	356	270	125	155	101	224	325

All dimensions are in mm unless otherwise stated.

CM 3-A

(A = cast iron EN-GJL-200)



TM06 7509 3616

Dimensions

3 x 220-240/380-415 V, 50 Hz (supply voltage F)

Pump type	Frame size	P ₂ [kW]	Dimensions [mm]																		
			A1	A2	A3	A4	B1	B2	B3	H	H1	H2	L1	L2	L3	L4	L5	L6	L7	L8	L9
CM 3-2	71	0.46	1"	1"	3/8"	10.5	141	158	125	184	75	149	286	112	88	85	96	137	27	174	201
CM 3-3	71	0.46	1"	1"	3/8"	10.5	141	158	125	184	75	149	304	130	106	103	96	137	27	174	201
CM 3-4	71	0.46	1"	1"	3/8"	10.5	141	158	125	184	75	149	322	148	124	121	96	137	27	174	201
CM 3-5	71	0.65	1"	1"	3/8"	10.5	141	158	125	184	75	149	340	166	142	139	96	137	27	174	201
CM 3-6	71	0.65	1"	1"	3/8"	10.5	141	158	125	184	75	149	358	184	160	157	96	137	27	174	201
CM 3-7	80	1.10	1"	1"	3/8"	10.5	141	158	125	184	75	149	436	202	178	175	96	137	27	234	261
CM 3-8	80	1.10	1"	1"	3/8"	10.5	141	158	125	184	75	149	454	220	196	193	96	137	27	234	261

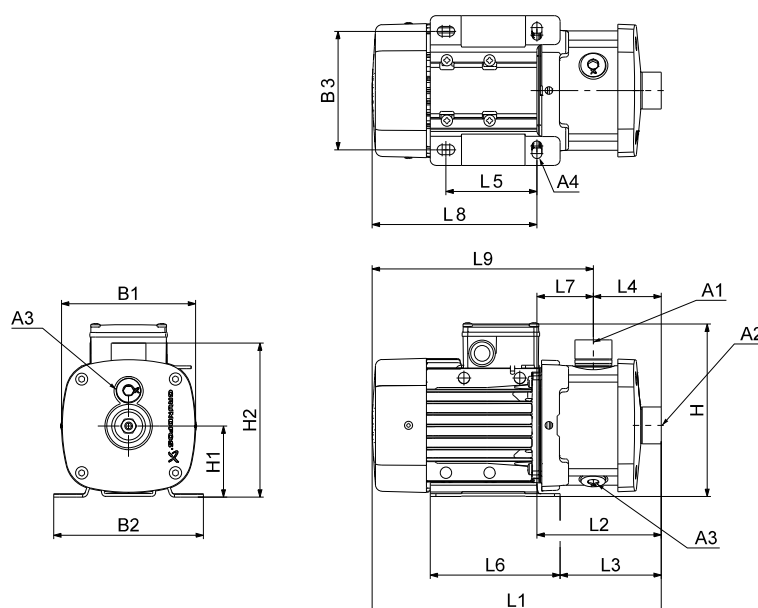
1 x 220-240 V, 50 Hz (supply voltage C)

Pump type	Frame size	P ₂ [kW]	Dimensions [mm]																		
			A1	A2	A3	A4	B1	B2	B3	H	H1	H2	L1	L2	L3	L4	L5	L6	L7	L8	L9
CM 3-2	71	0.30	1"	1"	3/8"	10.5	141	158	125	208	75	149	286	112	88	85	96	137	27	174	201
CM 3-3	71	0.50	1"	1"	3/8"	10.5	141	158	125	208	75	149	304	130	106	103	96	137	27	174	201
CM 3-4	71	0.50	1"	1"	3/8"	10.5	141	158	125	208	75	149	322	148	124	121	96	137	27	174	201
CM 3-5	71	0.50	1"	1"	3/8"	10.5	141	158	125	208	75	149	340	166	142	139	96	137	27	174	201
CM 3-6	80	0.67	1"	1"	3/8"	10.5	141	158	125	208	75	151	398	184	160	157	96	137	27	214	241
CM 3-7	80	0.90	1"	1"	3/8"	10.5	141	158	125	208	75	151	416	202	178	175	96	137	27	214	241
CM 3-8	80	0.90	1"	1"	3/8"	10.5	141	158	125	208	75	151	434	220	196	193	96	137	27	214	241

All dimensions are in mm unless otherwise stated.

CM 3-I and CM 3-G

(I = EN 1.4301/AISI 304 and G = EN 1.4401/AISI 316)



TM06 7507 3616

Dimensions

3 x 220-240/380-415 V, 50 Hz (supply voltage F)

Pump type	Frame size	P ₂ [kW]	Dimensions [mm]																		
			A1	A2	A3	A4	B1	B2	B3	H	H1	H2	L1	L2	L3	L4	L5	L6	L7	L8	L9
CM 3-2	71	0.46	1"	1"	3/8"	10.5	141	158	125	184	75	165	306	132	108	72	96	137	60	174	234
CM 3-3	71	0.46	1"	1"	3/8"	10.5	141	158	125	184	75	165	306	132	108	72	96	137	60	174	234
CM 3-4	71	0.46	1"	1"	3/8"	10.5	141	158	125	184	75	165	324	150	126	90	96	137	60	174	234
CM 3-5	71	0.65	1"	1"	3/8"	10.5	141	158	125	184	75	165	342	168	144	108	96	137	60	174	234
CM 3-6	71	0.65	1"	1"	3/8"	10.5	141	158	125	184	75	165	378	204	180	144	96	137	60	174	234
CM 3-7	80	1.10	1"	1"	3/8"	10.5	141	158	125	184	75	165	438	204	180	144	96	137	60	234	294
CM 3-8	80	1.10	1"	1"	3/8"	10.5	141	158	125	184	75	165	474	240	216	180	96	137	60	234	294
CM 3-9	80	1.10	1"	1"	3/8"	10.5	141	158	125	184	75	165	474	240	216	180	96	137	60	234	294
CM 3-10	90	1.50	1"	1"	3/8"	10.0	178	178	140	200	90	180	541	317	302	216	125	155	101	224	325
CM 3-11	90	1.50	1"	1"	3/8"	10.0	178	178	140	200	90	180	541	317	302	216	125	155	101	224	325
CM 3-12	90	1.50	1"	1"	3/8"	10.0	178	178	140	200	90	180	595	371	356	270	125	155	101	224	325
CM 3-13	90	2.20	1"	1"	3/8"	10.0	178	178	140	200	90	180	636	372	357	270	125	155	102	264	366
CM 3-14	90	2.20	1"	1"	3/8"	10.0	178	178	140	200	90	180	636	372	357	270	125	155	102	264	366

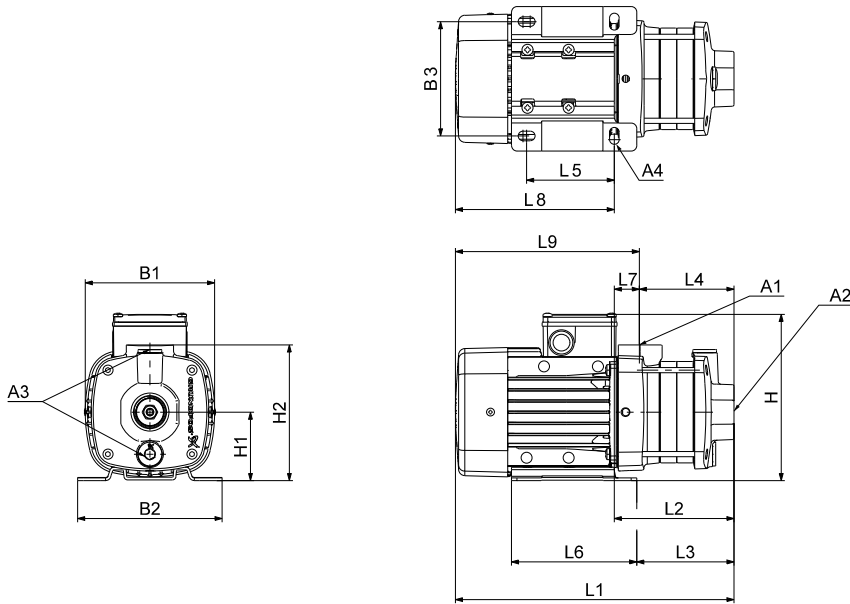
1 x 220-240 V, 50 Hz (supply voltage C)

Pump type	Frame size	P ₂ [kW]	Dimensions [mm]																		
			A1	A2	A3	A4	B1	B2	B3	H	H1	H2	L1	L2	L3	L4	L5	L6	L7	L8	L9
CM 3-2	71	0.30	1"	1"	3/8"	10.5	141	158	125	208	75	165	306	132	108	72	96	137	60	174	234
CM 3-3	71	0.50	1"	1"	3/8"	10.5	141	158	125	208	75	165	306	132	108	72	96	137	60	174	234
CM 3-4	71	0.50	1"	1"	3/8"	10.5	141	158	125	208	75	165	324	150	126	90	96	137	60	174	234
CM 3-5	71	0.50	1"	1"	3/8"	10.5	141	158	125	208	75	165	342	168	144	108	96	137	60	174	234
CM 3-6	80	0.67	1"	1"	3/8"	10.5	141	158	125	208	75	165	418	204	180	144	96	137	60	214	274
CM 3-7	80	0.90	1"	1"	3/8"	10.5	141	158	125	208	75	165	418	204	180	144	96	137	60	214	274
CM 3-8	80	0.90	1"	1"	3/8"	10.5	141	158	125	208	75	165	454	240	216	180	96	137	60	214	274
CM 3-9	90	1.30	1"	1"	3/8"	10.0	178	178	140	229	90	180	505	281	266	180	125	155	101	224	325
CM 3-10	90	1.30	1"	1"	3/8"	10.0	178	178	140	229	90	180	541	317	302	216	125	155	101	224	325
CM 3-11	90	1.30	1"	1"	3/8"	10.0	178	178	140	229	90	180	541	317	302	216	125	155	101	224	325
CM 3-12	90	1.30	1"	1"	3/8"	10.0	178	178	140	229	90	180	595	371	356	270	125	155	101	224	325
CM 3-13	90	1.30	1"	1"	3/8"	10.0	178	178	140	229	90	180	595	371	356	270	125	155	101	224	325
CM 3-14	90	1.90	1"	1"	3/8"	10.0	178	178	140	229	90	180	595	371	356	270	125	155	101	224	325

All dimensions are in mm unless otherwise stated.

CM 5-A

(A = cast iron EN-GJL-200)



TM06 7509 3616

Dimensions

3 x 220-240/380-415 V, 50 Hz (supply voltage F)

Pump type	Frame size	P ₂ [kW]	Dimensions [mm]																		
			A1	A2	A3	A4	B1	B2	B3	H	H1	H2	L1	L2	L3	L4	L5	L6	L7	L8	L9
CM 5-2	71	0.46	1"	1 1/4"	3/8"	10.5	141	158	125	184	75	149	286	112	88	85	96	137	27	174	201
CM 5-3	71	0.65	1"	1 1/4"	3/8"	10.5	141	158	125	184	75	149	304	130	106	103	96	137	27	174	201
CM 5-4	80	1.10	1"	1 1/4"	3/8"	10.5	141	158	125	184	75	149	382	148	124	121	96	137	27	234	261
CM 5-5	80	1.10	1"	1 1/4"	3/8"	10.5	141	158	125	184	75	149	400	166	142	139	96	137	27	234	261
CM 5-6	90	1.50	1"	1 1/4"	3/8"	10.0	178	178	140	200	90	201	456	231	216	144	125	155	88	224	312
CM 5-7	90	1.50	1"	1 1/4"	3/8"	10.0	178	178	140	200	90	201	474	249	234	162	125	155	88	224	312
CM 5-8	90	2.20	1"	1 1/4"	3/8"	10.0	178	178	140	200	90	201	533	268	253	180	125	155	89	264	353

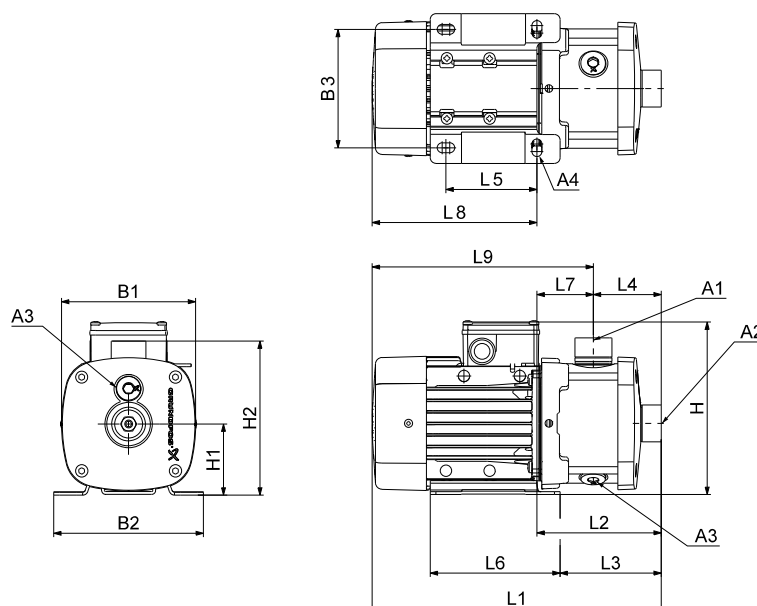
1 x 220-240 V, 50 Hz (supply voltage C)

Pump type	Frame size	P ₂ [kW]	Dimensions [mm]																		
			A1	A2	A3	A4	B1	B2	B3	H	H1	H2	L1	L2	L3	L4	L5	L6	L7	L8	L9
CM 5-2	71	0.50	1"	1 1/4"	3/8"	10.5	141	158	125	208	75	149	286	112	88	85	96	137	27	174	201
CM 5-3	71	0.50	1"	1 1/4"	3/8"	10.5	141	158	125	208	75	149	304	130	106	103	96	137	27	174	201
CM 5-4	80	0.67	1"	1 1/4"	3/8"	10.5	141	158	125	208	75	151	362	148	124	121	96	137	27	214	241
CM 5-5	80	0.90	1"	1 1/4"	3/8"	10.5	141	158	125	208	75	151	380	166	142	139	96	137	27	214	241
CM 5-6	90	1.30	1"	1 1/4"	3/8"	10.0	178	178	140	229	90	201	456	231	216	144	125	155	88	224	312
CM 5-7	90	1.30	1"	1 1/4"	3/8"	10.0	178	178	140	229	90	201	474	249	234	162	125	155	88	224	312
CM 5-8	90	1.30	1"	1 1/4"	3/8"	10.0	178	178	140	229	90	201	492	267	252	180	125	155	88	224	312

All dimensions are in mm unless otherwise stated.

CM 5-I and CM 5-G

(I = EN 1.4301/AISI 304 and G = EN 1.4401/AISI 316)



TM06 7507 3616

Dimensions

3 x 220-240/380-415 V, 50 Hz (supply voltage F)

Pump type	Frame size	P ₂ [kW]	Dimensions [mm]																		
			A1	A2	A3	A4	B1	B2	B3	H	H1	H2	L1	L2	L3	L4	L5	L6	L7	L8	L9
CM 5-2	71	0.46	1"	1 1/4"	3/8"	10.5	141	158	125	184	75	165	306	132	108	72	96	137	60	174	234
CM 5-3	71	0.65	1"	1 1/4"	3/8"	10.5	141	158	125	184	75	165	306	132	108	72	96	137	60	174	234
CM 5-4	80	1.10	1"	1 1/4"	3/8"	10.5	141	158	125	184	75	165	384	150	126	90	96	137	60	234	294
CM 5-5	80	1.10	1"	1 1/4"	3/8"	10.5	141	158	125	184	75	165	402	168	144	108	96	137	60	234	294
CM 5-6	90	1.50	1"	1 1/4"	3/8"	10.0	178	178	140	200	90	180	469	245	230	144	125	155	101	224	325
CM 5-7	90	1.50	1"	1 1/4"	3/8"	10.0	178	178	140	200	90	180	469	245	230	144	125	155	101	224	325
CM 5-8	90	2.20	1"	1 1/4"	3/8"	10.0	178	178	140	200	90	180	546	282	267	180	125	155	102	264	366
CM 5-9	90	2.20	1"	1 1/4"	3/8"	10.0	178	178	140	200	90	180	546	282	267	180	125	155	102	264	366
CM 5-10	90	2.20	1"	1 1/4"	3/8"	10.0	178	178	140	200	90	180	582	318	303	216	125	155	102	264	366
CM 5-11	90	2.20	1"	1 1/4"	3/8"	10.0	178	178	140	200	90	180	582	318	303	216	125	155	102	264	366
CM 5-12	100	3.00	1"	1 1/4"	3/8"	12.0	198	199	160	220	100	190	651	378	363	270	140	170	108	273	381
CM 5-13	100	3.00	1"	1 1/4"	3/8"	12.0	198	199	160	220	100	190	651	378	363	270	140	170	108	273	381

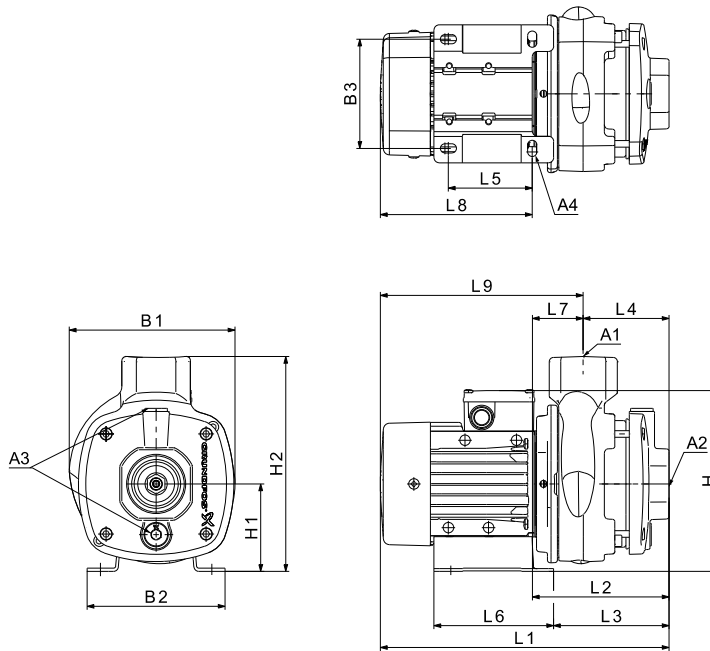
1 x 220-240 V, 50 Hz (supply voltage C)

Pump type	Frame size	P ₂ [kW]	Dimensions [mm]																		
			A1	A2	A3	A4	B1	B2	B3	H	H1	H2	L1	L2	L3	L4	L5	L6	L7	L8	L9
CM 5-2	71	0.50	1"	1 1/4"	3/8"	10.5	141	158	125	208	75	165	306	132	108	72	96	137	60	174	234
CM 5-3	71	0.50	1"	1 1/4"	3/8"	10.5	141	158	125	208	75	165	306	132	108	72	96	137	60	174	234
CM 5-4	80	0.67	1"	1 1/4"	3/8"	10.5	141	158	125	208	75	165	364	150	126	90	96	137	60	214	274
CM 5-5	80	0.90	1"	1 1/4"	3/8"	10.5	141	158	125	208	75	165	382	168	144	108	96	137	60	214	274
CM 5-6	90	1.30	1"	1 1/4"	3/8"	10.0	178	178	140	229	90	180	469	245	230	144	125	155	101	224	325
CM 5-7	90	1.30	1"	1 1/4"	3/8"	10.0	178	178	140	229	90	180	469	245	230	144	125	155	101	224	325
CM 5-8	90	1.30	1"	1 1/4"	3/8"	10.0	178	178	140	229	90	180	505	281	266	180	125	155	101	224	325
CM 5-9	90	1.90	1"	1 1/4"	3/8"	10.0	178	178	140	229	90	180	505	281	266	180	125	155	101	224	325
CM 5-10	90	1.90	1"	1 1/4"	3/8"	10.0	178	178	140	229	90	180	541	317	302	216	125	155	101	224	325
CM 5-11	90	1.90	1"	1 1/4"	3/8"	10.0	178	178	140	229	90	180	541	317	302	216	125	155	101	224	325

All dimensions are in mm unless otherwise stated.

CM 10-A

(A = cast iron EN-GJL-200)



TM06 7512 3616

Dimensions

3 x 220-240/380-415 V, 50 Hz (supply voltage F)

Pump type	Frame size	P ₂ [kW]	Dimensions [mm]																		
			A1	A2	A3	A4	B1	B2	B3	H	H1	H2	L1	L2	L3	L4	L5	L6	L7	L8	L9
CM 10-1	71	0.65	1 1/2"	1 1/2"	3/8"	10.5	190	158	125	209	100	242	330	156	131	97	95	137	59	174	232
CM 10-2	90	1.50	1 1/2"	1 1/2"	3/8"	12.0	190	199	160	210	100	242	420	188	173	97	140	170	91	232	322
CM 10-3	90	2.20	1 1/2"	1 1/2"	3/8"	12.0	190	199	160	210	100	242	490	218	203	127	140	170	91	272	362
CM 10-4	100	3.0	1 1/2"	1 1/2"	3/8"	12.0	198	199	160	220	100	242	537	264	249	157	140	170	107	273	380
CM 10-5	100	3.0	1 1/2"	1 1/2"	3/8"	12.0	198	199	160	220	100	242	567	294	279	187	140	170	107	273	380

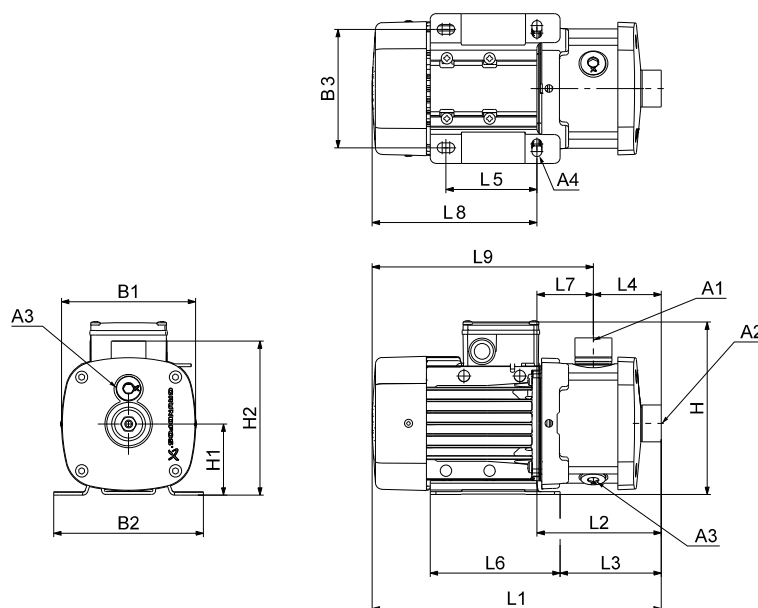
1 x 220-240 V, 50 Hz (supply voltage C)

Pump type	Frame size	P ₂ [kW]	Dimensions [mm]																		
			A1	A2	A3	A4	B1	B2	B3	H	H1	H2	L1	L2	L3	L4	L5	L6	L7	L8	L9
CM 10-1	80	0.67	1 1/2"	1 1/2"	3/8"	10.5	190	158	125	233	100	242	370	156	131	97	95	137	59	214	272
CM 10-2	90	1.30	1 1/2"	1 1/2"	3/8"	12.0	190	199	160	239	100	242	420	188	173	97	140	170	91	232	322
CM 10-3	90	1.90	1 1/2"	1 1/2"	3/8"	12.0	190	199	160	239	100	242	451	219	204	127	140	170	92	232	324

All dimensions are in mm unless otherwise stated.

CM 10-I and CM 10-G

(I = EN 1.4301/AISI 304 and G = EN 1.4401/AISI 316)



TM06 7507 3616

Dimensions

3 x 220-240/380-415 V, 50 Hz (supply voltage F)

Pump type	Frame size	P ₂ [kW]	Dimensions [mm]																		
			A1	A2	A3	A4	B1	B2	B3	H	H1	H2	L1	L2	L3	L4	L5	L6	L7	L8	L9
CM 10-1	71	0.65	1 1/2"	1 1/2"	3/8"	10.5	141	158	125	209	100	219	360	186	161	105	95	137	81	174	255
CM 10-2	90	1.50	1 1/2"	1 1/2"	3/8"	12.0	178	199	160	210	100	219	450	218	203	105	140	170	113	232	345
CM 10-3	90	2.20	1 1/2"	1 1/2"	3/8"	12.0	178	199	160	210	100	219	490	218	203	105	140	170	113	272	385
CM 10-4	100	3.00	1 1/2"	1 1/2"	3/8"	12.0	198	199	160	220	100	219	537	264	249	135	140	170	129	273	402
CM 10-5	100	3.00	1 1/2"	1 1/2"	3/8"	12.0	198	199	160	220	100	219	597	324	309	195	140	170	129	273	402
CM 10-6	112	4.00	1 1/2"	1 1/2"	3/8"	12.0	220	228	190	246	112	231	650	348	332	195	140	172	153	302	455
CM 10-7	132	5.50	1 1/2"	1 1/2"	3/8"	12.0	220	228	190	246	112	231	710	408	392	255	140	172	153	302	455
CM 10-8	132	5.50	1 1/2"	1 1/2"	3/8"	12.0	220	228	190	246	112	231	710	408	392	255	140	172	153	302	455

Please note that the dimension H is smaller than H2 for CM 10-1, CM 10-2 and CM 10-3.

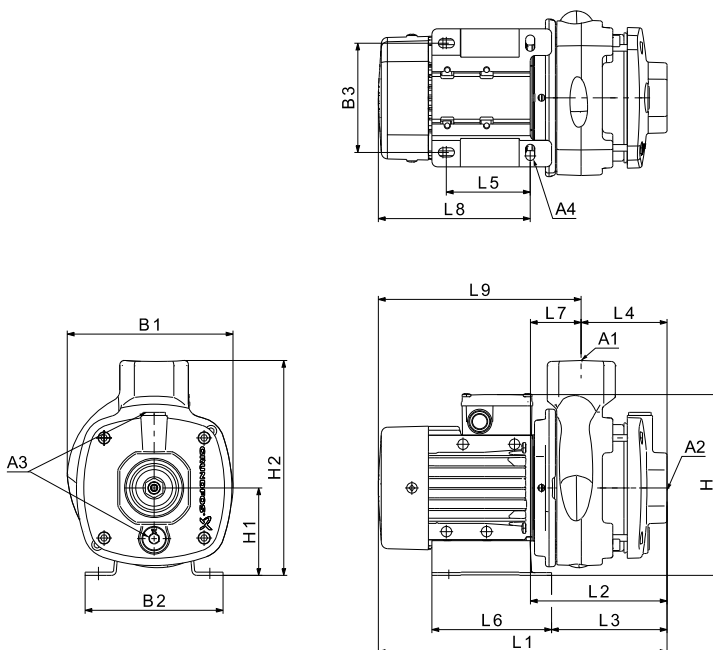
1 x 220-240 V, 50 Hz (supply voltage C)

Pump type	Frame size	P ₂ [kW]	Dimensions [mm]																		
			A1	A2	A3	A4	B1	B2	B3	H	H1	H2	L1	L2	L3	L4	L5	L6	L7	L8	L9
CM 10-1	80	0.67	1 1/2"	1 1/2"	3/8"	10.5	141	158	125	233	100	219	400	186	161	105	95	137	81	214	295
CM 10-2	90	1.30	1 1/2"	1 1/2"	3/8"	12.0	178	199	160	239	100	219	450	218	203	105	140	170	113	232	345
CM 10-3	90	1.90	1 1/2"	1 1/2"	3/8"	12.0	178	199	160	239	100	219	451	219	204	105	140	170	114	232	346

All dimensions are in mm unless otherwise stated.

CM 15-A

(A = cast iron EN-GJL-200)



TM06 7512 3616

Dimensions

3 x 220-240/380-415 V, 50 Hz (supply voltage F)

Pump type	Frame size	P ₂ [kW]	Dimensions [mm]																		
			A1	A2	A3	A4	B1	B2	B3	H	H1	H2	L1	L2	L3	L4	L5	L6	L7	L8	L9
CM 15-1	80	1.1	2"	2"	3/8"	10.5	190	158	125	210	100	242	390	156	131	97	95	137	59	234	292
CM 15-2	90	2.20	2"	2"	3/8"	12.0	190	199	160	210	100	242	460	188	173	97	140	170	91	272	362
CM 15-3	112	4.0	2"	2"	3/8"	12.0	220	228	190	246	112	254	560	258	242	127	140	172	130	302	433
CM 15-4	132	5.5	2"	2"	3/8"	12.0	220	228	190	246	112	254	590	288	272	157	140	172	130	302	433

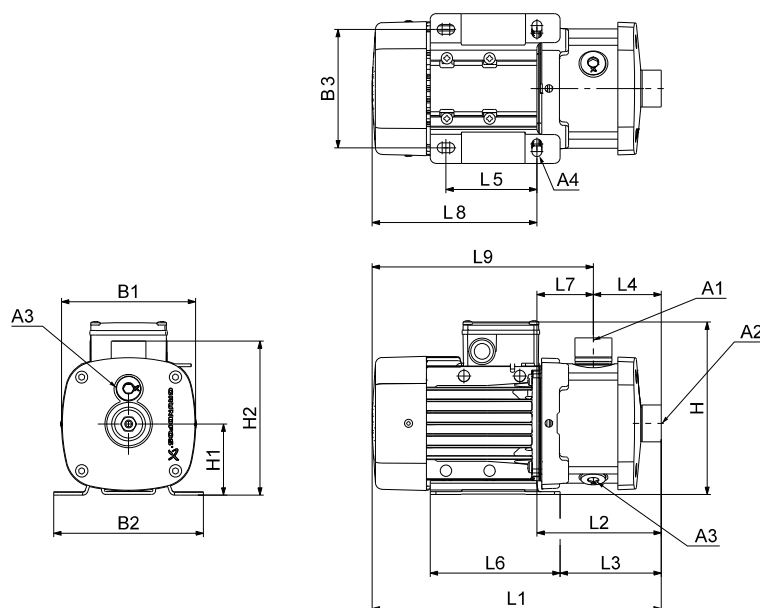
1 x 220-240 V, 50 Hz (supply voltage C)

Pump type	Frame size	P ₂ [kW]	Dimensions [mm]																		
			A1	A2	A3	A4	B1	B2	B3	H	H1	H2	L1	L2	L3	L4	L5	L6	L7	L8	L9
CM 15-1	90	1.30	2"	2"	3/8"	12.0	190	199	160	239	100	242	420	188	173	97	140	170	91	232	322
CM 15-2	90	1.90	2"	2"	3/8"	12.0	190	199	160	239	100	242	421	189	174	97	140	170	92	232	324

All dimensions are in mm unless otherwise stated.

CM 15-I and CM 15-G

(I = EN 1.4301/AISI 304 and G = EN 1.4401/AISI 316)



TM06 7507 3616

Dimensions

3 x 220-240/380-415 V, 50 Hz (supply voltage F)

Pump type	Frame size	P ₂ [kW]	Dimensions [mm]																		
			A1	A2	A3	A4	B1	B2	B3	H	H1	H2	L1	L2	L3	L4	L5	L6	L7	L8	L9
CM 15-1	80	1.10	2"	2"	3/8"	10.5	141	158	125	210	100	217	420	186	161	105	95	137	81	234	315
CM 15-2	90	2.20	2"	2"	3/8"	12.0	178	199	160	210	100	217	490	218	203	105	140	170	113	272	385
CM 15-3	112	4.00	2"	2"	3/8"	12.0	220	228	190	246	112	229	560	258	242	105	140	172	153	302	455
CM 15-4	132	5.50	2"	2"	3/8"	12.0	220	228	190	246	112	229	590	288	272	135	140	172	153	302	455

Please note that the dimension H is smaller than H2 for CM 15-1 and CM 15-2.

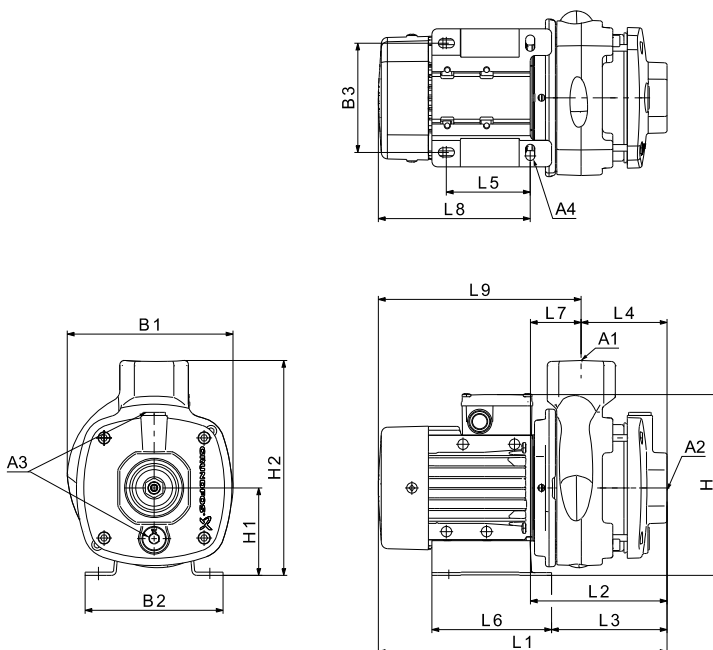
1 x 220-240 V, 50 Hz (supply voltage C)

Pump type	Frame size	P ₂ [kW]	Dimensions [mm]																		
			A1	A2	A3	A4	B1	B2	B3	H	H1	H2	L1	L2	L3	L4	L5	L6	L7	L8	L9
CM 15-1	90	1.30	2"	2"	3/8"	12.0	178	199	160	239	100	217	450	218	203	105	140	170	113	232	345
CM 15-2	90	1.90	2"	2"	3/8"	12.0	178	199	160	239	100	217	451	219	204	105	140	170	114	232	346

All dimensions are in mm unless otherwise stated.

CM 25-A

(A = cast iron EN-GJL-200)



TM06 7512 3616

Dimensions

3 x 220-240/380-415 V, 50 Hz (supply voltage F)

Pump type	Frame size	P ₂ [kW]	Dimensions [mm]																		
			A1	A2	A3	A4	B1	B2	B3	H	H1	H2	L1	L2	L3	L4	L5	L6	L7	L8	L9
CM 25-1	90	2.20	2"	2"	3/8"	12.0	190	199	160	210	100	242	460	188	173	97	140	170	91	272	362
CM 25-2	112	4.0	2"	2"	3/8"	12.0	220	228	190	246	112	254	530	228	212	97	140	172	130	302	433
CM 25-3	132	5.5	2"	2"	3/8"	12.0	220	228	190	246	112	254	560	258	242	127	140	172	130	302	433
CM 25-4*	-	-	-	-	-	-	-	-	-	-	-	-	-	-	-	-	-	-	-	-	-

* Available on request.

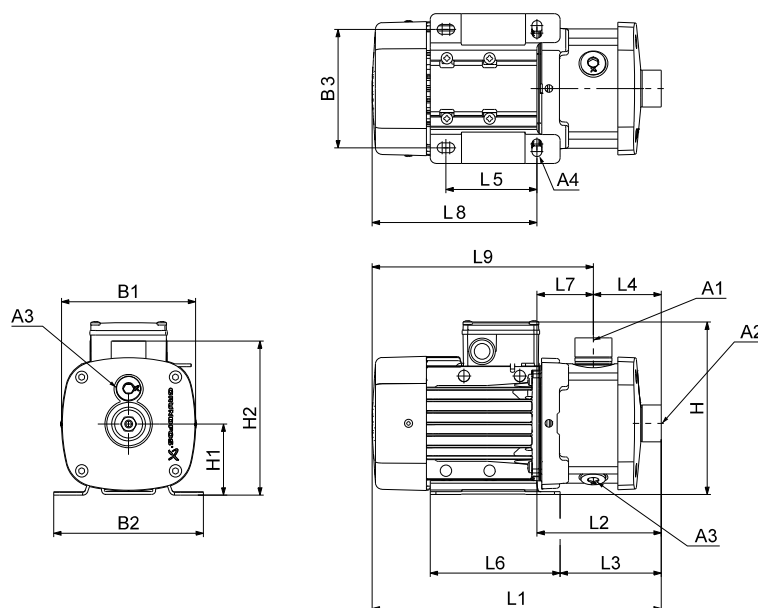
1 x 220-240 V, 50 Hz (supply voltage C)

Pump type	Frame size	P ₂ [kW]	Dimensions [mm]																		
			A1	A2	A3	A4	B1	B2	B3	H	H1	H2	L1	L2	L3	L4	L5	L6	L7	L8	L9
CM 25-1	90	1.90	2"	2"	3/8"	12.0	190	199	160	239	100	242	421	189	174	97	140	170	92	232	324

All dimensions are in mm unless otherwise stated.

CM 25-I and CM 25-G

(I = EN 1.4301/AISI 304 and G = EN 1.4401/AISI 316)



TM06 7507 3616

Dimensions

3 x 220-240/380-415 V, 50 Hz (supply voltage F)

Pump type	Frame size	P ₂ [kW]	Dimensions [mm]																		
			A1	A2	A3	A4	B1	B2	B3	H	H1	H2	L1	L2	L3	L4	L5	L6	L7	L8	L9
CM 25-1	90	2.20	2"	2"	3/8"	12.0	178	199	160	210	100	217	490	218	203	105	140	170	113	272	385
CM 25-2	112	4.00	2"	2"	3/8"	12.0	220	228	190	246	112	229	560	258	242	105	140	172	153	302	455
CM 25-3	132	5.50	2"	2"	3/8"	12.0	220	228	190	246	112	229	560	258	242	105	140	172	153	302	455
CM 25-4*	-	-	-	-	-	-	-	-	-	-	-	-	-	-	-	-	-	-	-	-	-

* Available on request.

Please note that the dimension H is smaller than H2 for CM 25-1.

1 x 220-240 V, 50 Hz (supply voltage C)

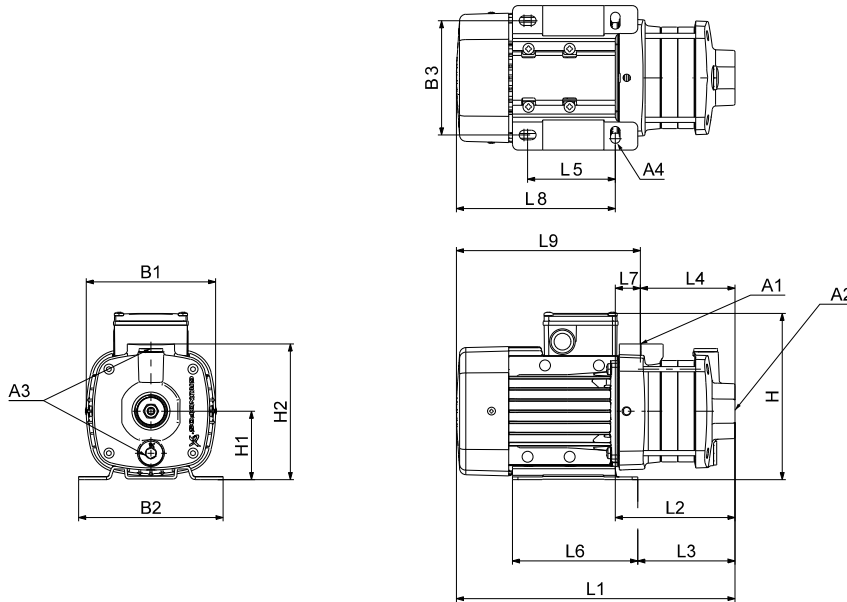
Pump type	Frame size	P ₂ [kW]	Dimensions [mm]																		
			A1	A2	A3	A4	B1	B2	B3	H	H1	H2	L1	L2	L3	L4	L5	L6	L7	L8	L9
CM 25-1	90	1.90	2"	2"	3/8"	12.0	178	199	160	239	100	217	451	219	204	105	140	170	114	232	346

All dimensions are in mm unless otherwise stated.

22. Dimensions, CM 60 Hz and 50/60 Hz

CM 1-A

(A = cast iron EN-GJL-200)



TM06 7509 3616

Dimensions

3 x 208-230/440-480 V, 60 Hz (supply voltage E)
3 x 380-415 V, 50 Hz; 3 x 440-480 V, 60 Hz (supply voltage J)
3 x 220-240/380-415 V, 50 Hz; 3 x 220-255/380-440 V, 60 Hz (supply voltage O)

Pump type	Frame size	P ₂ [kW]		Dimensions [mm]																		
		50 Hz	60 Hz	A1	A2	A3	A4	B1	B2	B3	H	H1	H2	L1	L2	L3	L4	L5	L6	L7	L8	L9
CM 1-2	71	0.25 / 0.43*	0.43 / 0.74*	1"	1"	3/8"	10.5	141	158	125	192	75	151	286	112	88	85	96	137	27	174	201
CM 1-3	71	0.25 / 0.43*	0.43 / 0.74*	1"	1"	3/8"	10.5	141	158	125	192	75	151	304	130	106	103	96	137	27	174	201
CM 1-4	71	0.43	0.74	1"	1"	3/8"	10.5	141	158	125	192	75	151	322	148	124	121	96	137	27	174	201
CM 1-5	71	0.43	0.74	1"	1"	3/8"	10.5	141	158	125	192	75	151	340	166	142	139	96	137	27	174	201

* Applies to supply voltage O.

1 x 115/230 V, 60 Hz (supply voltage B)
1 x 220 V, 60 Hz (supply voltage A)

Pump type	Frame size	P ₂ [kW]	Dimensions [mm]																		
			A1	A2	A3	A4	B1	B2	B3	H	H1	H2	L1	L2	L3	L4	L5	L6	L7	L8	L9
CM 1-2	71	0.60	1"	1"	3/8"	10.5	141	158	125	208	75	149	286	112	88	85	96	137	27	174	201
CM 1-3	71	0.60	1"	1"	3/8"	10.5	141	158	125	208	75	149	304	130	106	103	96	137	27	174	201
CM 1-4	71	0.60	1"	1"	3/8"	10.5	141	158	125	208	75	149	322	148	124	121	96	137	27	174	201
CM 1-5	71	0.60	1"	1"	3/8"	10.5	141	158	125	208	75	149	340	166	142	139	96	137	27	174	201

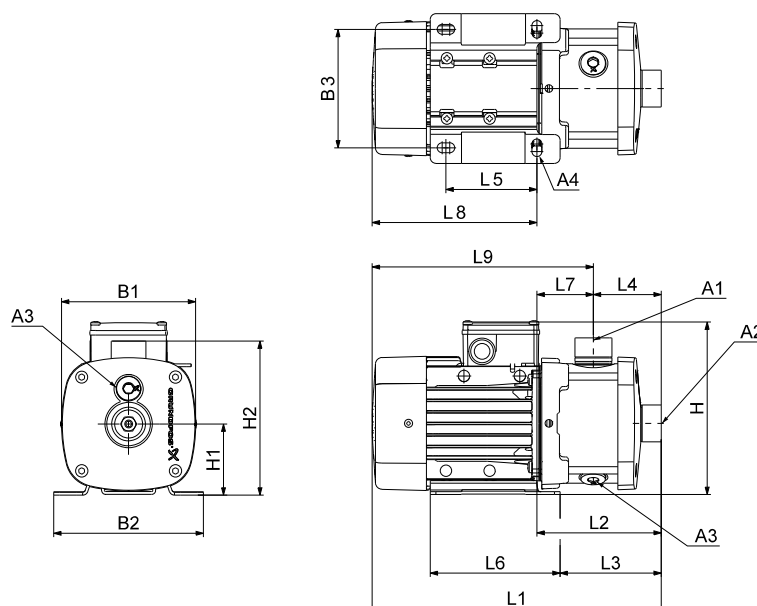
3 x 200/346 V, 50 Hz; 3 x 200-220/346-380 V, 60 Hz (supply voltage G)

Pump type	Frame size	P ₂ [kW]		Dimensions [mm]																		
		50 Hz	60 Hz	A1	A2	A3	A4	B1	B2	B3	H	H1	H2	L1	L2	L3	L4	L5	L6	L7	L8	L9
CM 1-2	71	0.25	0.43	1"	1"	3/8"	10.5	141	158	125	184	75	149	286	112	88	85	96	137	27	174	201
CM 1-3	71	0.25	0.43	1"	1"	3/8"	10.5	141	158	125	184	75	149	304	130	106	103	96	137	27	174	201
CM 1-4	71	0.43	0.74	1"	1"	3/8"	10.5	141	158	125	184	75	149	322	148	124	121	96	137	27	174	201
CM 1-5	71	0.43	0.74	1"	1"	3/8"	10.5	141	158	125	184	75	149	340	166	142	139	96	137	27	174	201

All dimensions are in mm unless otherwise stated.

CM 1-I and CM 1-G

(I = EN 1.4301/AISI 304 and G = EN 1.4401/AISI 316)



TM06 7507 3616

Dimensions

3 x 208-230/440-480 V, 60 Hz (supply voltage E)

3 x 380-415 V, 50 Hz; 3 x 440-480 V, 60 Hz (supply voltage J)

3 x 220-240/380-415 V, 50 Hz; 3 x 220-255/380-440 V, 60 Hz (supply voltage O)

Pump type	Frame size	P ₂ [kW]		Dimensions [mm]																		
		50 Hz	60 Hz	A1	A2	A3	A4	B1	B2	B3	H	H1	H2	L1	L2	L3	L4	L5	L6	L7	L8	L9
CM 1-2	71	0.25 / 0.43*	0.43 / 0.74*	1"	1"	3/8"	10.5	141	158	125	192	75	165	306	132	108	72	96	137	60	174	234
CM 1-3	71	0.25 / 0.43*	0.43 / 0.74*	1"	1"	3/8"	10.5	141	158	125	192	75	165	306	132	108	72	96	137	60	174	234
CM 1-4	71	0.43	0.74	1"	1"	3/8"	10.5	141	158	125	192	75	165	324	150	126	90	96	137	60	174	234
CM 1-5	71	0.43	0.74	1"	1"	3/8"	10.5	141	158	125	192	75	165	342	168	144	108	96	137	60	174	234
CM 1-6	71	0.43	0.74	1"	1"	3/8"	10.5	141	158	125	192	75	165	378	204	180	144	96	137	60	174	234
CM 1-7	71	0.43	0.74	1"	1"	3/8"	10.5	141	158	125	192	75	165	378	204	180	144	96	137	60	174	234
CM 1-8	80	0.64	1.10	1"	1"	3/8"	10.5	141	158	125	192	75	165	454	240	216	180	96	137	60	214	274
CM 1-9	80	0.64	1.10	1"	1"	3/8"	10.5	141	158	125	192	75	165	474	240	216	180	96	137	60	234	294

* Applies to supply voltage O.

1 x 115/230 V, 60 Hz (supply voltage B); 1 x 220 V, 60 Hz (supply voltage A)

Pump type	Frame size	P ₂ [kW]	Dimensions [mm]																		
			A1	A2	A3	A4	B1	B2	B3	H	H1	H2	L1	L2	L3	L4	L5	L6	L7	L8	L9
CM 1-2	71	0.60	1"	1"	3/8"	10.5	141	158	125	208	75	165	306	132	108	72	96	137	60	174	234
CM 1-3	71	0.60	1"	1"	3/8"	10.5	141	158	125	208	75	165	306	132	108	72	96	137	60	174	234
CM 1-4	71	0.60	1"	1"	3/8"	10.5	141	158	125	208	75	165	324	150	126	90	96	137	60	174	234
CM 1-5	71	0.60	1"	1"	3/8"	10.5	141	158	125	208	75	165	342	168	144	108	96	137	60	174	234
CM 1-6	80	0.84* / 0.78	1"	1"	3/8"	10.5	141	158	125	208	75	165	418	204	180	144	96	137	60	214	274
CM 1-7	80	1.14* / 1.10	1"	1"	3/8"	10.5	206	158	125	208	75	165	418	204	180	144	96	137	60	214	274
CM 1-8	80	1.14* / 1.10	1"	1"	3/8"	10.5	206	158	125	208	75	165	454	240	216	180	96	137	60	214	274
CM 1-9	80	1.14* / 1.10	1"	1"	3/8"	10.5	206	158	125	208	75	165	454	240	216	180	96	137	60	214	274

* Applies to supply voltage A.

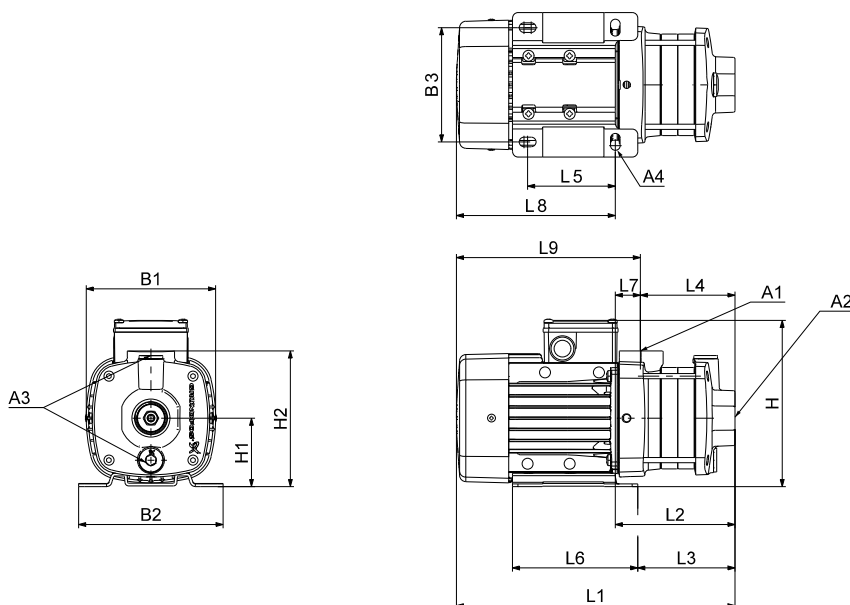
3 x 200/346 V, 50 Hz; 3 x 200-220/346-380 V, 60 Hz (supply voltage G)

Pump type	Frame size	P ₂ [kW]		Dimensions [mm]																		
		50 Hz	60 Hz	A1	A2	A3	A4	B1	B2	B3	H	H1	H2	L1	L2	L3	L4	L5	L6	L7	L8	L9
CM 1-2	71	0.25	0.43	1"	1"	3/8"	10.5	141	158	125	184	75	165	306	132	108	72	96	137	60	174	234
CM 1-3	71	0.25	0.43	1"	1"	3/8"	10.5	141	158	125	184	75	165	306	132	108	72	96	137	60	174	234
CM 1-4	71	0.43	0.74	1"	1"	3/8"	10.5	141	158	125	184	75	165	324	150	126	90	96	137	60	174	234
CM 1-5	71	0.43	0.74	1"	1"	3/8"	10.5	141	158	125	184	75	165	342	168	144	108	96	137	60	174	234
CM 1-6	71	0.43	0.74	1"	1"	3/8"	10.5	141	158	125	184	75	165	378	204	180	144	96	137	60	174	234
CM 1-7	71	0.43	0.74	1"	1"	3/8"	10.5	141	158	125	184	75	165	378	204	180	144	96	137	60	174	234
CM 1-8	80	0.74	1.28	1"	1"	3/8"	10.5	141	158	125	184	75	165	474	240	216	180	96	137	60	234	294
CM 1-9	80	0.74	1.28	1"	1"	3/8"	10.5	141	158	125	184	75	165	474	240	216	180	96	137	60	234	294

All dimensions are in mm unless otherwise stated.

CM 3-A

(A = cast iron EN-GJL-200)



TM06 7509 3616

Dimensions

3 x 208-230/440-480 V, 60 Hz (supply voltage E)

3 x 380-415 V, 50 Hz; 3 x 440-480 V, 60 Hz (supply voltage J)

3 x 220-240/380-415 V, 50 Hz; 3 x 220-255/380-440 V, 60 Hz (supply voltage O)

Pump type	Frame size	P ₂ [kW]		Dimensions [mm]																		
		50 Hz	60 Hz	A1	A2	A3	A4	B1	B2	B3	H	H1	H2	L1	L2	L3	L4	L5	L6	L7	L8	L9
CM 3-2	71	0.25 / 0.43*	0.43 / 0.74*	1"	1"	3/8"	10.5	141	158	125	192	75	151	286	112	88	85	96	137	27	174	201
CM 3-3	71	0.43	0.74	1"	1"	3/8"	10.5	141	158	125	192	75	151	304	130	106	103	96	137	27	174	201
CM 3-4	71	0.43	0.74	1"	1"	3/8"	10.5	141	158	125	192	75	151	322	148	124	121	96	137	27	174	201
CM 3-5	80	0.64	1.10	1"	1"	3/8"	10.5	141	158	125	192	75	149	380	166	142	139	96	137	27	214	241

* Applies to supply voltage O.

1 x 115/230 V, 60 Hz (supply voltage B)

1 x 220 V, 60 Hz (supply voltage A)

Pump type	Frame size	P ₂ [kW]	Dimensions [mm]																		
			A1	A2	A3	A4	B1	B2	B3	H	H1	H2	L1	L2	L3	L4	L5	L6	L7	L8	L9
CM 3-2	71	0.60	1"	1"	3/8"	10.5	141	158	125	208	75	149	286	112	88	85	96	137	27	174	201
CM 3-3	71	0.60	1"	1"	3/8"	10.5	141	158	125	208	75	149	304	130	106	103	96	137	27	174	201
CM 3-4	80	0.84* / 0.78	1"	1"	3/8"	10.5	141	158	125	208	75	149	362	148	124	121	96	137	27	214	241
CM 3-5	80	1.14* / 1.10	1"	1"	3/8"	10.5	206	158	125	208	75	149	380	166	142	139	96	137	27	214	241

* Applies to supply voltage A.

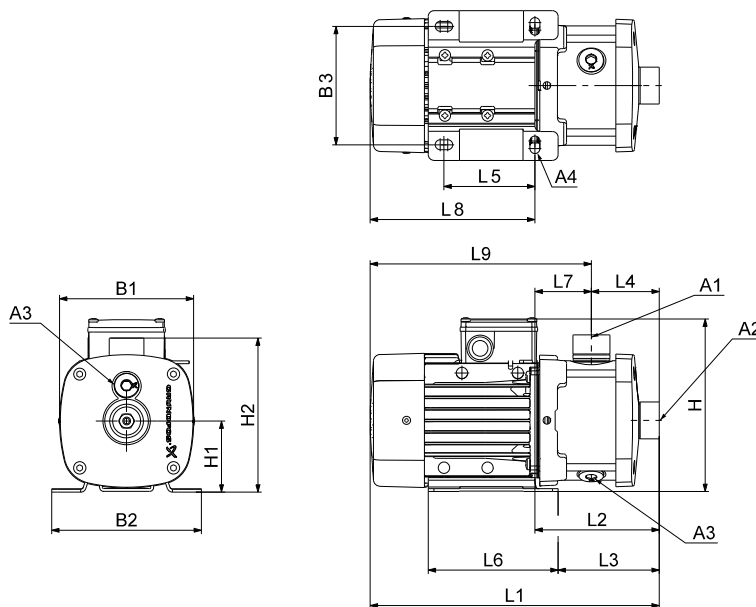
3 x 200/346 V, 50 Hz; 3 x 200-220/346-380 V, 60 Hz (supply voltage G)

Pump type	Frame size	P ₂ [kW]		Dimensions [mm]																		
		50 Hz	60 Hz	A1	A2	A3	A4	B1	B2	B3	H	H1	H2	L1	L2	L3	L4	L5	L6	L7	L8	L9
CM 3-2	71	0.25	0.43	1"	1"	3/8"	10.5	141	158	125	184	75	149	286	112	88	85	96	137	27	174	201
CM 3-3	71	0.43	0.74	1"	1"	3/8"	10.5	141	158	125	184	75	149	304	130	106	103	96	137	27	174	201
CM 3-4	71	0.43	0.74	1"	1"	3/8"	10.5	141	158	125	184	75	149	322	148	124	121	96	137	27	174	201
CM 3-5	80	0.74	1.28	1"	1"	3/8"	10.5	141	158	125	184	75	149	400	166	142	139	96	137	27	234	261

All dimensions are in mm unless otherwise stated.

CM 3-I and CM 3-G

(I = EN 1.4301/AISI 304 and G = EN 1.4401/AISI 316)



TM06 7507 3616

Dimensions

3 x 208-230/440-480 V, 60 Hz (supply voltage E)

3 x 380-415 V, 50 Hz; 3 x 440-480 V, 60 Hz (supply voltage J)

3 x 220-240/380-415 V, 50 Hz; 3 x 220-255/380-440 V, 60 Hz (supply voltage O)

Pump type	Frame size	P ₂ [kW]		Dimensions [mm]																		
		50 Hz	60 Hz	A1	A2	A3	A4	B1	B2	B3	H	H1	H2	L1	L2	L3	L4	L5	L6	L7	L8	L9
CM 3-2	71	0.25 / 0.43*	0.43 / 0.74*	1"	1"	3/8"	10.5	141	158	125	192	75	165	306	132	108	72	96	137	60	174	234
CM 3-3	71	0.43	0.74	1"	1"	3/8"	10.5	141	158	125	192	75	165	306	132	108	72	96	137	60	174	234
CM 3-4	71	0.43	0.74	1"	1"	3/8"	10.5	141	158	125	192	75	165	324	150	126	90	96	137	60	174	234
CM 3-5	80	0.64	1.10	1"	1"	3/8"	10.5	141	158	125	192	75	165	382	168	144	108	96	137	60	214	274
CM 3-6	80	1.27	2.20	1"	1"	3/8"	10.5	141	158	125	192	75	165	438	204	180	144	96	137	60	234	294
CM 3-7	90	1.27	2.20	1"	1"	3/8"	10.0	178	178	140	200	90	180	469	245	230	144	125	155	101	224	325
CM 3-8	90	1.27	2.20	1"	1"	3/8"	10.0	178	178	140	200	90	180	546	282	267	180	125	155	102	264	366
CM 3-9	90	1.27	2.20	1"	1"	3/8"	10.0	178	178	140	200	90	180	546	282	267	180	125	155	102	264	366

* Applies to supply voltage O.

1 x 115/230 V, 60 Hz (supply voltage B); 1 x 220 V, 60 Hz (supply voltage A)

Pump type	Frame size	P ₂ [kW]	Dimensions [mm]																		
			A1	A2	A3	A4	B1	B2	B3	H	H1	H2	L1	L2	L3	L4	L5	L6	L7	L8	L9
CM 3-2	71	0.60	1"	1"	3/8"	10.5	141	158	125	208	75	165	306	132	108	72	96	137	60	174	234
CM 3-3	71	0.60	1"	1"	3/8"	10.5	141	158	125	208	75	165	306	132	108	72	96	137	60	174	234
CM 3-4	80	0.84* / 0.78	1"	1"	3/8"	10.5	141	158	125	208	75	165	364	150	126	90	96	137	60	214	274
CM 3-5	80	1.14* / 1.10	1"	1"	3/8"	10.5	206	158	125	208	75	165	382	168	144	108	96	137	60	214	274
CM 3-6	90	1.54* / 1.50	1"	1"	3/8"	10.0	178	178	140	229	90	180	469	245	230	144	125	155	101	224	325
CM 3-7	90	1.54* / 1.50	1"	1"	3/8"	10.0	178	178	140	229	90	180	469	245	230	144	125	155	101	224	325
CM 3-8	90	1.54* / 1.50	1"	1"	3/8"	10.0	178	178	140	229	90	180	505	281	266	180	125	155	101	224	325

* Applies to supply voltage A.

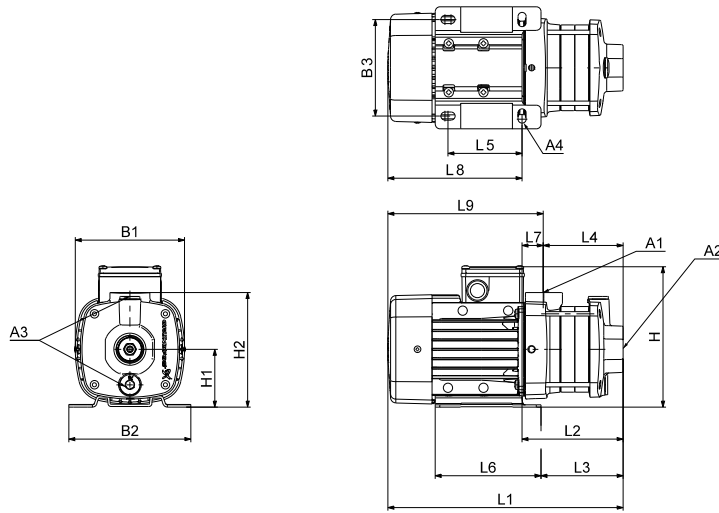
3 x 200/346 V, 50 Hz; 3 x 200-220/346-380 V, 60 Hz (supply voltage G)

Pump type	Frame size	P ₂ [kW]		Dimensions [mm]																		
		50 Hz	60 Hz	A1	A2	A3	A4	B1	B2	B3	H	H1	H2	L1	L2	L3	L4	L5	L6	L7	L8	L9
CM 3-2	71	0.25	0.43	1"	1"	3/8"	10.5	141	158	125	184	75	165	306	132	108	72	96	137	60	174	234
CM 3-3	71	0.43	0.74	1"	1"	3/8"	10.5	141	158	125	184	75	165	306	132	108	72	96	137	60	174	234
CM 3-4	71	0.43	0.74	1"	1"	3/8"	10.5	141	158	125	184	75	165	324	150	126	90	96	137	60	174	234
CM 3-5	80	0.74	1.28	1"	1"	3/8"	10.5	141	158	125	184	75	165	402	168	144	108	96	137	60	234	294
CM 3-6	80	0.74	1.28	1"	1"	3/8"	10.5	141	158	125	184	75	165	438	204	180	144	96	137	60	234	294
CM 3-7	90	1.27	2.20	1"	1"	3/8"	10.0	178	178	140	200	90	180	510	246	231	144	125	155	102	264	366
CM 3-8	90	1.27	2.20	1"	1"	3/8"	10.0	178	178	140	200	90	180	546	282	267	180	125	155	102	264	366
CM 3-9	90	1.27	2.20	1"	1"	3/8"	10.0	178	178	140	200	90	180	546	282	267	180	125	155	102	264	366

All dimensions are in mm unless otherwise stated.

CM 5-A

(A = cast iron EN-GJL-200)



TM06 7509 3616

Dimensions

3 x 208-230/440-480 V, 60 Hz (supply voltage E)
3 x 380-415 V, 50 Hz; 3 x 440-480 V, 60 Hz (supply voltage J)
3 x 220-240/380-415 V, 50 Hz; 3 x 220-255/380-440 V, 60 Hz (supply voltage O)

Pump type	Frame size	P ₂ [kW]		Dimensions [mm]																		
		50 Hz	60 Hz	A1	A2	A3	A4	B1	B2	B3	H	H1	H2	L1	L2	L3	L4	L5	L6	L7	L8	L9
CM 5-2	71	0.43	0.74	1"	1 1/4"	3/8"	10.5	141	158	125	192	75	151	286	112	88	85	96	137	27	174	201
CM 5-3	71	0.64	1.10	1"	1 1/4"	3/8"	10.5	141	158	125	192	75	149	344	130	106	103	96	137	27	214	241
CM 5-4	71	1.27	2.20	1"	1 1/4"	3/8"	10.0	178	178	140	200	90	201	420	195	180	108	125	155	88	224	312
CM 5-5	80	1.27	2.20	1"	1 1/4"	3/8"	10.0	178	178	140	200	90	201	479	214	199	126	125	155	89	264	353

1 x 115/230 V, 60 Hz (supply voltage B); 1 x 220 V, 60 Hz (supply voltage A)

Pump type	Frame size	P ₂ [kW]	Dimensions [mm]																		
			A1	A2	A3	A4	B1	B2	B3	H	H1	H2	L1	L2	L3	L4	L5	L6	L7	L8	L9
CM 5-2	80	0.84* / 0.78	1"	1 1/4"	3/8"	10.5	141	158	125	208	75	149	326	112	88	85	96	137	27	214	241
CM 5-3	80	1.14* / 1.10	1"	1 1/4"	3/8"	10.5	206	158	125	208	75	149	344	130	106	103	96	137	27	214	241
CM 5-4	90	1.54* / 1.50	1"	1 1/4"	3/8"	10.0	178	178	140	229	90	201	420	195	180	108	125	155	88	224	312
CM 5-5	90	1.50	1"	1 1/4"	3/8"	10.0	178	178	140	229	90	201	438	213	198	126	125	155	88	224	312

* Applies to supply voltage A.

Note: CM 5-5 is not available with supply voltage A.

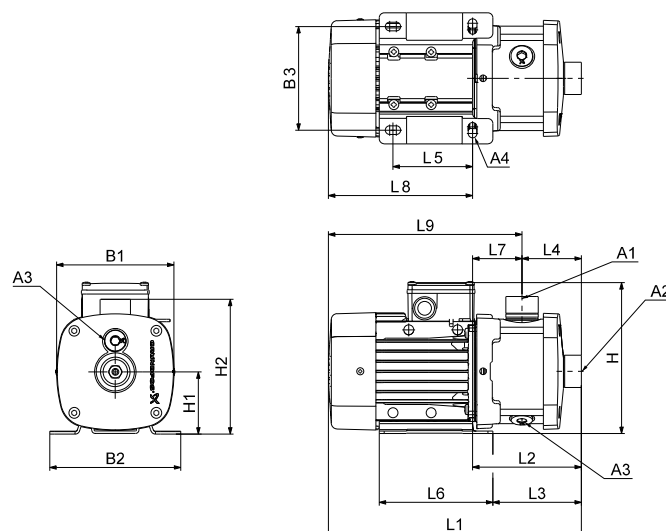
3 x 200/346 V, 50 Hz; 3 x 200-220/346-380 V, 60 Hz (supply voltage G)

Pump type	Frame size	P ₂ [kW]		Dimensions [mm]																		
		50 Hz	60 Hz	A1	A2	A3	A4	B1	B2	B3	H	H1	H2	L1	L2	L3	L4	L5	L6	L7	L8	L9
CM 5-2	71	0.43	0.74	1"	1 1/4"	3/8"	10.5	141	158	125	184	75	149	286	112	88	85	96	137	27	174	201
CM 5-3	80	0.74	1.28	1"	1 1/4"	3/8"	10.5	141	158	125	184	75	149	364	130	106	103	96	137	27	234	261
CM 5-4	90	1.27	2.20	1"	1 1/4"	3/8"	10.0	178	178	140	200	90	201	461	196	181	108	125	155	89	264	353
CM 5-5	90	1.27	2.20	1"	1 1/4"	3/8"	10.0	178	178	140	200	90	201	479	214	199	126	125	155	89	264	353

All dimensions are in mm unless otherwise stated.

CM 5-I and CM 5-G

(I = EN 1.4301/AISI 304 and G = EN 1.4401/AISI 316)



TM06 7507 3616

Dimensions

3 x 208-230/440-480 V, 60 Hz (supply voltage E)

3 x 380-415 V, 50 Hz; 3 x 440-480 V, 60 Hz (supply voltage J)

3 x 220-240/380-415 V, 50 Hz; 3 x 220-255/380-440 V, 60 Hz (supply voltage O)

Pump type	Frame size	P ₂ [kW]		Dimensions [mm]																		
		50 Hz	60 Hz	A1	A2	A3	A4	B1	B2	B3	H	H1	H2	L1	L2	L3	L4	L5	L6	L7	L8	L9
CM 5-2	71	0.43	0.74	1"	1 1/4"	3/8"	10.5	141	158	125	192	75	165	306	132	108	72	96	137	60	174	234
CM 5-3	80	0.64	1.10	1"	1 1/4"	3/8"	10.5	141	158	125	192	75	165	346	132	108	72	96	137	60	214	274
CM 5-4	90	1.27	2.20	1"	1 1/4"	3/8"	10.0	178	178	140	200	90	180	415	191	176	90	125	155	101	224	325
CM 5-5	90	1.27	2.20	1"	1 1/4"	3/8"	10.0	178	178	140	200	90	180	474	210	195	108	125	155	102	264	366
CM 5-6	90	1.27	2.20	1"	1 1/4"	3/8"	10.0	178	178	140	200	90	180	510	246	231	144	125	155	102	264	366
CM 5-7	90	1.68	2.90	1"	1 1/4"	3/8"	10.0	178	178	140	200	90	180	510	246	231	144	125	155	102	264	366
CM 5-8	100	1.68	2.90	1"	1 1/4"	3/8"	12.0	198	199	160	220	100	190	561	288	273	180	140	170	108	273	381

1 x 115/230 V, 60 Hz (supply voltage B)

1 x 220 V, 60 Hz (supply voltage A)

Pump type	Frame size	P ₂ [kW]	Dimensions [mm]																		
			A1	A2	A3	A4	B1	B2	B3	H	H1	H2	L1	L2	L3	L4	L5	L6	L7	L8	L9
CM 5-2	80	0.84* / 0.78	1"	1 1/4"	3/8"	10.5	141	158	125	208	75	165	346	132	108	72	96	137	60	214	274
CM 5-3	80	1.14* / 1.10	1"	1 1/4"	3/8"	10.5	206	158	125	208	75	165	346	132	108	72	96	137	60	214	274
CM 5-4	90	1.54* / 1.50	1"	1 1/4"	3/8"	10.0	178	178	140	229	90	180	415	191	176	90	125	155	101	224	325
CM 5-5	90	1.50	1"	1 1/4"	3/8"	10.0	178	178	140	229	90	180	433	209	194	108	125	155	101	224	325

* Applies to supply voltage A.

Note: CM 5-5 is not available with supply voltage A.

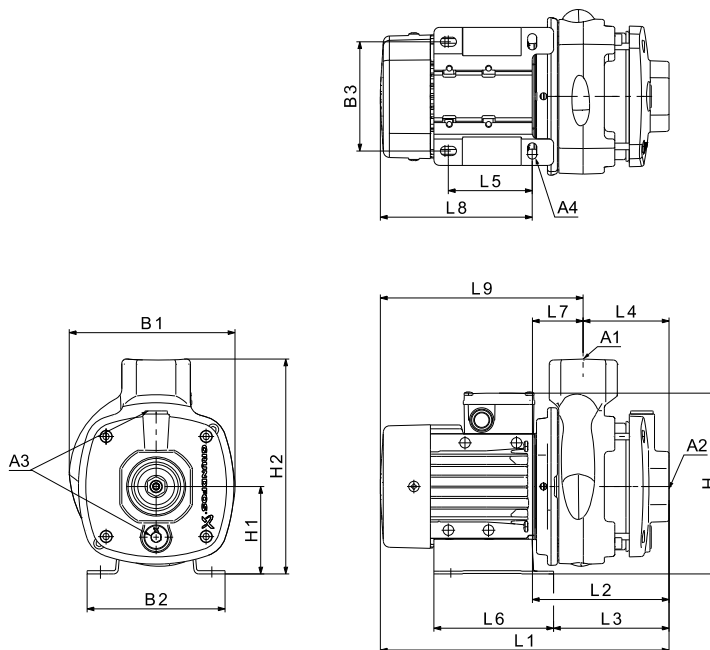
3 x 200/346 V, 50 Hz; 3 x 200-220/346-380 V, 60 Hz (supply voltage G)

Pump type	Frame size	P ₂ [kW]		Dimensions [mm]																		
		50 Hz	60 Hz	A1	A2	A3	A4	B1	B2	B3	H	H1	H2	L1	L2	L3	L4	L5	L6	L7	L8	L9
CM 5-2	71	0.43	0.74	1"	1 1/4"	3/8"	10.5	141	158	125	184	75	165	306	132	108	72	96	137	60	174	234
CM 5-3	80	0.74	1.28	1"	1 1/4"	3/8"	10.5	141	158	125	184	75	165	366	132	108	72	96	137	60	234	294
CM 5-4	90	1.27	2.20	1"	1 1/4"	3/8"	10.0	178	178	140	200	90	180	456	192	177	90	125	155	102	264	366
CM 5-5	90	1.27	2.20	1"	1 1/4"	3/8"	10.0	178	178	140	200	90	180	474	210	195	108	125	155	102	264	366
CM 5-6	90	1.27	2.20	1"	1 1/4"	3/8"	10.0	178	178	140	200	90	180	510	246	231	144	125	155	102	264	366
CM 5-7	100	1.68	2.90	1"	1 1/4"	3/8"	12.0	198	199	160	220	100	190	525	252	237	144	140	170	108	273	381
CM 5-8	100	1.68	2.90	1"	1 1/4"	3/8"	12.0	198	199	160	220	100	190	561	288	273	180	140	170	108	273	381

All dimensions are in mm unless otherwise stated.

CM 10-A

(A = cast iron EN-GJL-200)



TM06 7512 3616

Dimensions

3 x 208-230/440-480 V, 60 Hz (supply voltage E)
3 x 380-415 V, 50 Hz; 3 x 440-480 V, 60 Hz (supply voltage J)
3 x 220-240/380-415 V, 50 Hz; 3 x 220-255/380-440 V, 60 Hz (supply voltage O)

Pump type	Frame size	P ₂ [kW]		Dimensions [mm]																		
		50 Hz	60 Hz	A1	A2	A3	A4	B1	B2	B3	H	H1	H2	L1	L2	L3	L4	L5	L6	L7	L8	L9
CM 10-1	80	0.64	1.10	1 1/2"	1 1/2"	3/8"	10.5	190	158	125	217	100	242	390	156	131	97	95	137	59	234	292
CM 10-2	90	1.27	2.20	1 1/2"	1 1/2"	3/8"	12.0	190	199	160	210	100	242	460	188	173	97	140	170	91	272	362
CM 10-3	100	2.30	4.00	1 1/2"	1 1/2"	3/8"	12.0	198	199	160	220	100	242	507	234	219	127	140	170	107	273	380

1 x 115/230 V, 60 Hz (supply voltage B)
1 x 220 V, 60 Hz (supply voltage A)

Pump type	Frame size	P ₂ [kW]	Dimensions [mm]																		
			A1	A2	A3	A4	B1	B2	B3	H	H1	H2	L1	L2	L3	L4	L5	L6	L7	L8	L9
CM 10-1	80	1.14* / 1.10	1 1/2"	1 1/2"	3/8"	10.5	255	158	125	233	100	242	370	156	131	97	95	137	59	214	272

* Applies to supply voltage A.

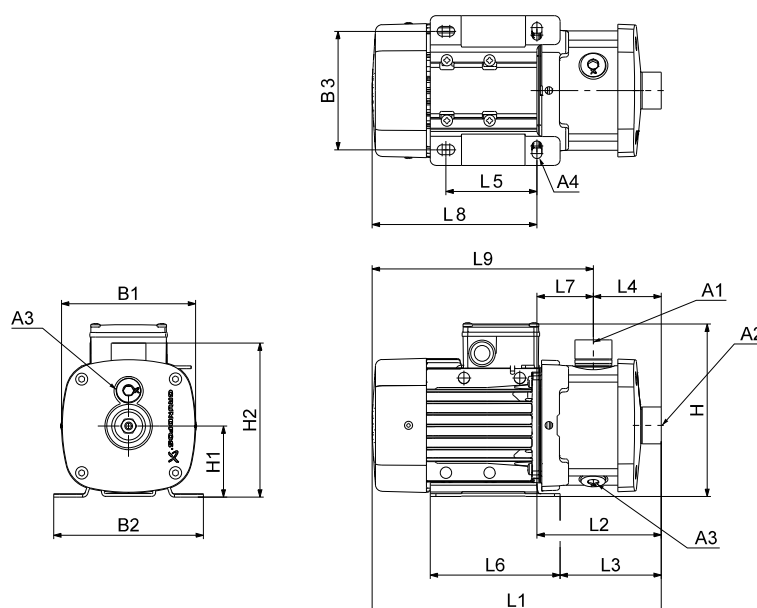
3 x 200/346 V, 50 Hz; 3 x 200-220/346-380 V, 60 Hz (supply voltage G)

Pump type	Frame size	P ₂ [kW]		Dimensions [mm]																		
		50 Hz	60 Hz	A1	A2	A3	A4	B1	B2	B3	H	H1	H2	L1	L2	L3	L4	L5	L6	L7	L8	L9
CM 10-1	80	0.74	1.28	1 1/2"	1 1/2"	3/8"	10.5	190	158	125	209	100	242	390	156	131	97	95	137	59	234	292
CM 10-2	90	1.27	2.20	1 1/2"	1 1/2"	3/8"	12.0	190	199	160	210	100	242	460	188	173	97	140	170	91	272	362
CM 10-3	112	2.30	4.00	1 1/2"	1 1/2"	3/8"	12.0	220	228	190	246	112	254	560	258	242	127	140	172	130	302	433

All dimensions are in mm unless otherwise stated.

CM 10-I and CM 10-G

(I = EN 1.4301/AISI 304 and G = EN 1.4401/AISI 316)



TM06 7507 3616

Dimensions

3 x 208-230/440-480 V, 60 Hz (supply voltage E)

3 x 380-415 V, 50 Hz; 3 x 440-480 V, 60 Hz (supply voltage J)

3 x 220-240/380-415 V, 50 Hz; 3 x 220-255/380-440 V, 60 Hz (supply voltage O)

Pump type	Frame size	P ₂ [kW]		Dimensions [mm]																		
		50 Hz	60 Hz	A1	A2	A3	A4	B1	B2	B3	H	H1	H2	L1	L2	L3	L4	L5	L6	L7	L8	L9
CM 10-1	80	0.64	1.10	1 1/2"	1 1/2"	3/8"	10.5	180	158	125	217	100	219	420	186	161	105	95	137	81	234	315
CM 10-2	90	1.27	2.20	1 1/2"	1 1/2"	3/8"	12.0	178	199	160	210	100	219	490	218	203	105	140	170	113	272	385
CM 10-3	100	2.30	4.00	1 1/2"	1 1/2"	3/8"	12.0	198	199	160	220	100	219	507	234	219	105	140	170	129	273	402
CM 10-4	132	3.18	5.50	1 1/2"	1 1/2"	3/8"	12.0	220	228	190	246	112	231	590	288	272	135	140	172	153	302	455
CM 10-5	132	3.18	5.50	1 1/2"	1 1/2"	3/8"	12.0	220	228	190	246	112	231	650	348	332	195	140	172	153	302	455

Note: The dimension H is smaller than H2 for CM 10-1 and CM 10-2.

1 x 115/230 V, 60 Hz (supply voltage B)

1 x 220 V, 60 Hz (supply voltage A)

Pump type	Frame size	P ₂ [kW]	Dimensions [mm]																		
			A1	A2	A3	A4	B1	B2	B3	H	H1	H2	L1	L2	L3	L4	L5	L6	L7	L8	L9
CM 10-1	80	1.14* / 1.10	1 1/2"	1 1/2"	3/8"	10.5	206	158	125	233	100	219	400	186	161	105	95	137	81	214	295

* Applies to supply voltage A.

3 x 200/346 V, 50 Hz; 3 x 200-220/346-380 V, 60 Hz (supply voltage G)

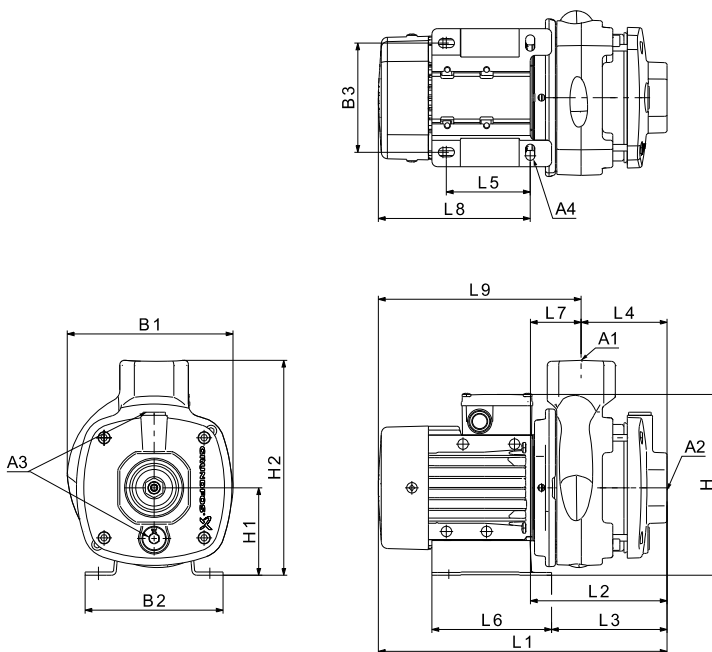
Pump type	Frame size	P ₂ [kW]		Dimensions [mm]																		
		50 Hz	60 Hz	A1	A2	A3	A4	B1	B2	B3	H	H1	H2	L1	L2	L3	L4	L5	L6	L7	L8	L9
CM 10-1	80	0.74	1.28	1 1/2"	1 1/2"	3/8"	10.5	180	158	125	209	100	219	420	186	161	105	95	137	81	234	315
CM 10-2	90	1.27	2.20	1 1/2"	1 1/2"	3/8"	12.0	178	199	160	210	100	219	490	218	203	105	140	170	113	272	385
CM 10-3	112	2.30	4.00	1 1/2"	1 1/2"	3/8"	12.0	220	228	190	246	112	231	560	258	242	105	140	172	153	302	455
CM 10-4	132	3.18	5.50	1 1/2"	1 1/2"	3/8"	12.0	220	228	190	246	112	231	590	288	272	135	140	172	153	302	455
CM 10-5	132	3.18	5.50	1 1/2"	1 1/2"	3/8"	12.0	220	228	190	246	112	231	650	348	332	195	140	172	153	302	455

All dimensions are in mm unless otherwise stated.

Note: The dimension H is smaller than H2 for CM 10-1 and CM 10-2.

CM 15-A

(A = cast iron EN-GJL-200)



TM06 7512 3616

Dimensions

3 x 208-230/440-480 V, 60 Hz (supply voltage E)
 3 x 380-415 V, 50 Hz; 3 x 440-480 V, 60 Hz (supply voltage J)
 3 x 220-240/380-415 V, 50 Hz; 3 x 220-255/380-440 V, 60 Hz (supply voltage O)

Pump type	Frame size	P ₂ [kW]		Dimensions [mm]																		
		50 Hz	60 Hz	A1	A2	A3	A4	B1	B2	B3	H	H1	H2	L1	L2	L3	L4	L5	L6	L7	L8	L9
CM 15-1	90	1.27	2.20	2"	2"	3/8"	12.0	190	199	160	210	100	242	460	188	173	97	140	170	91	272	362
CM 15-2	100	2.30	4.00	2"	2"	3/8"	12.0	198	199	160	220	100	242	477	204	189	97	140	170	107	273	380
CM 15-3	132	3.70	6.40	2"	2"	3/8"	12.0	220	228	190	246	112	254	560	258	242	127	140	172	130	302	433

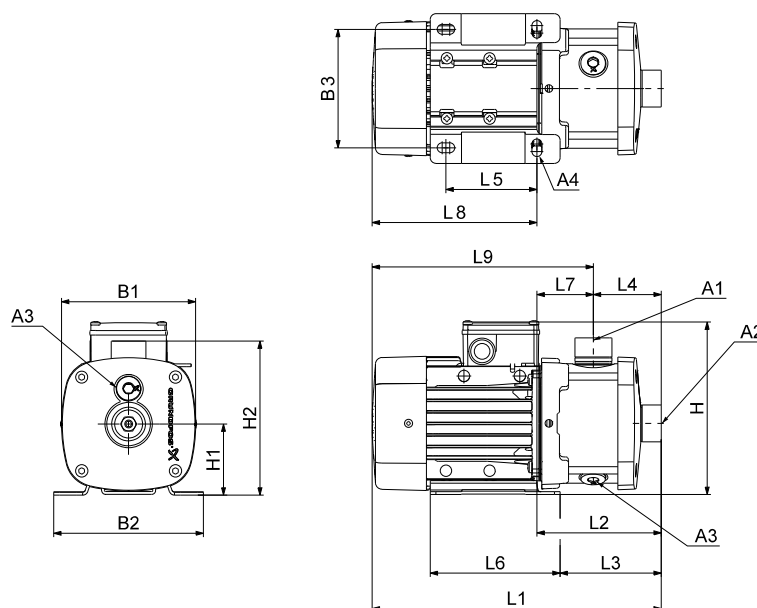
3 x 200/346 V, 50 Hz; 3 x 200-220/346-380 V, 60 Hz (supply voltage G)

Pump type	Frame size	P ₂ [kW]		Dimensions [mm]																		
		50 Hz	60 Hz	A1	A2	A3	A4	B1	B2	B3	H	H1	H2	L1	L2	L3	L4	L5	L6	L7	L8	L9
CM 15-1	90	1.27	2.20	2"	2"	3/8"	12.0	190	199	160	210	100	242	460	188	173	97	140	170	91	272	362
CM 15-2	112	2.30	4.00	2"	2"	3/8"	12.0	220	228	190	246	112	254	530	228	212	97	140	172	130	302	433
CM 15-3	132	3.70	6.40	2"	2"	3/8"	12.0	220	228	190	246	112	254	560	258	242	127	140	172	130	302	433

All dimensions are in mm unless otherwise stated.

CM 15-I and CM 15-G

(I = EN 1.4301/AISI 304 and G = EN 1.4401/AISI 316)



TM06 7507 3616

Dimensions

3 x 208-230/440-480 V, 60 Hz (supply voltage E)

3 x 380-415 V, 50 Hz; 3 x 440-480 V, 60 Hz (supply voltage J)

3 x 220-240/380-415 V, 50 Hz; 3 x 220-255/380-440 V, 60 Hz (supply voltage O)

Pump type	Frame size	P ₂ [kW]		Dimensions [mm]																		
		50 Hz	60 Hz	A1	A2	A3	A4	B1	B2	B3	H	H1	H2	L1	L2	L3	L4	L5	L6	L7	L8	L9
CM 15-1	90	1.27	2.20	2"	2"	3/8"	12.0	178	199	160	210	100	217	490	218	203	105	140	170	113	272	385
CM 15-2	100	2.30	4.00	2"	2"	3/8"	12.0	198	199	160	220	100	217	507	234	219	105	140	170	129	273	402
CM 15-3	132	3.70	6.40	2"	2"	3/8"	12.0	220	228	190	246	112	229	560	258	242	105	140	172	153	302	455

Note: The dimension H is smaller than H2 for CM 15-1.

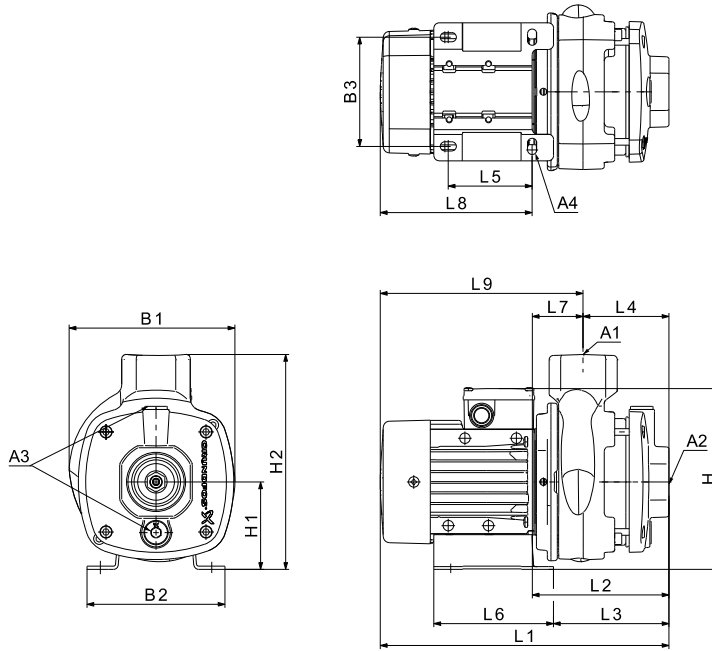
3 x 200/346 V, 50 Hz; 3 x 200-220/346-380 V, 60 Hz (supply voltage G)

Pump type	Frame size	P ₂ [kW]		Dimensions [mm]																		
		50 Hz	60 Hz	A1	A2	A3	A4	B1	B2	B3	H	H1	H2	L1	L2	L3	L4	L5	L6	L7	L8	L9
CM 15-1	90	1.27	2.20	2"	2"	3/8"	12.0	178	199	160	210	100	217	490	218	203	105	140	170	113	272	385
CM 15-2	112	2.30	4.00	2"	2"	3/8"	12.0	220	228	190	246	112	229	560	258	242	105	140	172	153	302	455
CM 15-3	132	3.70	6.40	2"	2"	3/8"	12.0	220	228	190	246	112	229	560	258	242	105	140	172	153	302	455

Note: The dimension H is smaller than H2 for CM 15-1.
All dimensions are in mm unless otherwise stated.

CM 25-A

(A = cast iron EN-GJL-200)



TM06 7512 3616

Dimensions

3 x 208-230/440-480 V, 60 Hz (supply voltage E)

3 x 380-415 V, 50 Hz; 3 x 440-480 V, 60 Hz (supply voltage J)

3 x 220-240/380-415 V, 50 Hz; 3 x 220-255/380-440 V, 60 Hz (supply voltage O)

Pump type	Frame size	P ₂ [kW]		Dimensions [mm]																		
		50 Hz	60 Hz	A1	A2	A3	A4	B1	B2	B3	H	H1	H2	L1	L2	L3	L4	L5	L6	L7	L8	L9
CM 25-1	100	2.30	4.00	2"	2"	3/8"	12.0	198	199	160	220	100	242	477	204	189	97	140	170	107	273	380
CM 25-2	132	3.70	6.40	2"	2"	3/8"	12.0	220	228	190	246	112	254	530	228	212	97	140	172	130	302	433

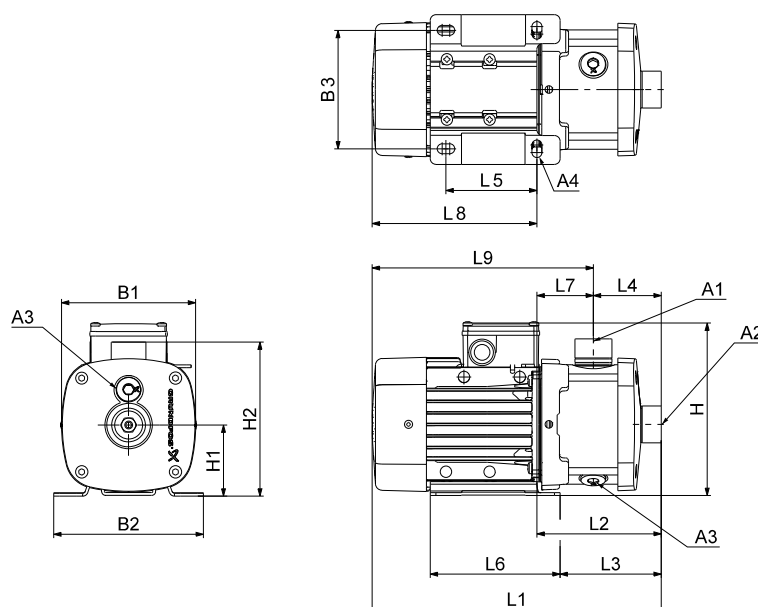
3 x 200/346 V, 50 Hz; 3 x 200-220/346-380 V, 60 Hz (supply voltage G)

Pump type	Frame size	P ₂ [kW]		Dimensions [mm]																		
		50 Hz	60 Hz	A1	A2	A3	A4	B1	B2	B3	H	H1	H2	L1	L2	L3	L4	L5	L6	L7	L8	L9
CM 25-1	112	2.30	4.00	2"	2"	3/8"	12.0	220	228	190	246	112	254	530	228	212	97	140	172	130	302	433
CM 25-2	132	3.70	6.40	2"	2"	3/8"	12.0	220	228	190	246	112	254	530	228	212	97	140	172	130	302	433

All dimensions are in mm unless otherwise stated.

CM 25-I and CM 25-G

(I = EN 1.4301/AISI 304 and G = EN 1.4401/AISI 316)



TM06 7507 3616

Dimensions

3 x 208-230/440-480 V, 60 Hz (supply voltage E)

3 x 380-415 V, 50 Hz; 3 x 440-480 V, 60 Hz (supply voltage J)

3 x 220-240/380-415 V, 50 Hz; 3 x 220-255/380-440 V, 60 Hz (supply voltage O)

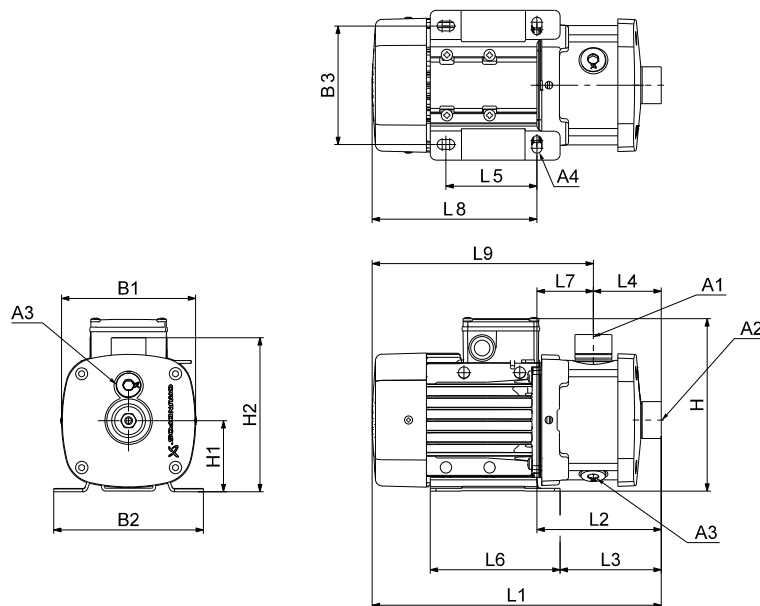
Pump type	Frame size	P ₂ [kW]		Dimensions [mm]																		
		50 Hz	60 Hz	A1	A2	A3	A4	B1	B2	B3	H	H1	H2	L1	L2	L3	L4	L5	L6	L7	L8	L9
CM 25-1	100	2.30	4	2"	2"	3/8"	12.0	198	199	160	220	100	217	507	234	219	105	140	170	129	273	402
CM 25-2	132	3.70	6.4	2"	2"	3/8"	12.0	220	228	190	246	112	229	560	258	242	105	140	172	153	302	455

3 x 200/346 V, 50 Hz; 3 x 200-220/346-380 V, 60 Hz (supply voltage G)

Pump type	Frame size	P ₂ [kW]		Dimensions [mm]																		
		50 Hz	60 Hz	A1	A2	A3	A4	B1	B2	B3	H	H1	H2	L1	L2	L3	L4	L5	L6	L7	L8	L9
CM 25-1	112	2.30	4.00	2"	2"	3/8"	12.0	220	228	190	246	112	229	560	258	242	105	140	172	153	302	455
CM 25-2	132	3.70	6.40	2"	2"	3/8"	12.0	220	228	190	246	112	229	560	258	242	105	140	172	153	302	455

All dimensions are in mm unless otherwise stated.

23. Dimensions, CM self-priming 50 Hz and 60 Hz



TM06 7507 3616

Dimensions

1 x 220-240 V, 50 Hz (supply voltage C)

Pump type	Frame size	P ₂ [kW]	Dimensions [mm]																		
			A1	A2	A3	A4	B1	B2	B3	H	H1	H2	L1	L2	L3	L4	L5	L6	L7	L8	L9
CM 1-3	71	0.30	1"	1"	3/8"	10.5	141	158	125	208	75	165	378	204	180	144	96	137	60	174	234
CM 1-4	71	0.50	1"	1"	3/8"	10.5	141	158	125	208	75	165	378	204	180	144	96	137	60	174	234
CM 1-5	71	0.50	1"	1"	3/8"	10.5	141	158	125	208	75	165	414	240	216	180	96	137	60	174	234
CM 1-6	71	0.50	1"	1"	3/8"	10.5	141	158	125	208	75	165	414	240	216	180	96	137	60	174	234
CM 3-3	71	0.50	1"	1"	3/8"	10.5	141	158	125	208	75	165	378	204	180	144	96	137	60	174	234
CM 3-4	71	0.50	1"	1"	3/8"	10.5	141	158	125	208	75	165	378	204	180	144	96	137	60	174	234
CM 3-5	71	0.50	1"	1"	3/8"	10.5	141	158	125	208	75	165	414	240	216	180	96	137	60	174	234
CM 3-6	80	0.67	1"	1"	3/8"	10.5	141	158	125	208	75	165	454	240	216	180	96	137	60	214	274
CM 5-3	71	0.50	1"	1"	3/8"	10.5	141	158	125	208	75	165	378	204	180	144	96	137	60	174	234
CM 5-4	80	0.67	1"	1"	3/8"	10.5	141	158	125	208	75	165	418	204	180	144	96	137	60	214	274
CM 5-5	80	0.90	1"	1"	3/8"	10.5	141	158	125	208	75	165	454	240	216	180	96	137	60	214	274
CM 5-6	90	1.30	1"	1"	3/8"	10.0	178	178	140	229	90	180	505	281	266	180	125	155	101	224	325
CM 5-7	90	1.30	1"	1"	3/8"	10.0	178	178	140	229	90	180	541	317	302	216	125	155	101	224	325

1 x 220 V, 60 Hz (supply voltage A)

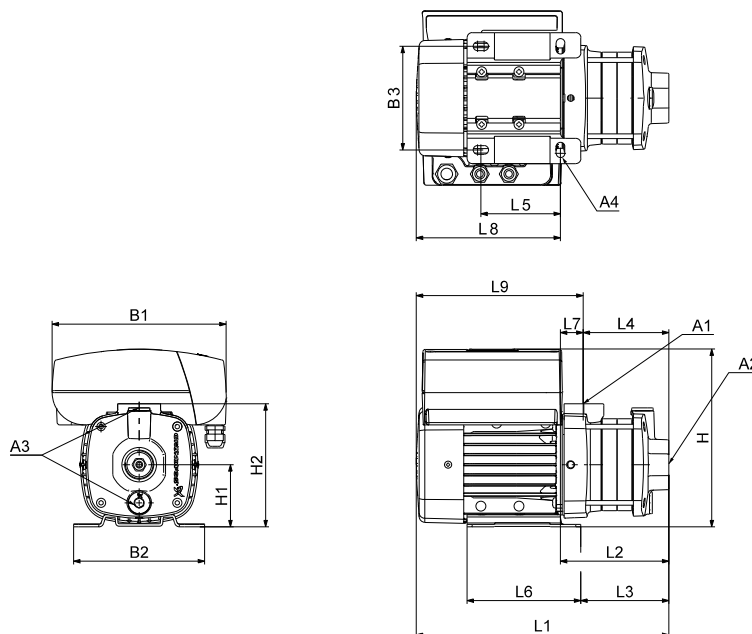
Pump type	Frame size	P ₂ [kW]	Dimensions [mm]																		
			A1	A2	A3	A4	B1	B2	B3	H	H1	H2	L1	L2	L3	L4	L5	L6	L7	L8	L9
CM 1-3	71	0.60	1"	1"	3/8"	10.5	141	158	125	208	75	165	378	204	180	144	96	137	60	174	234
CM 1-4	71	0.60	1"	1"	3/8"	10.5	141	158	125	208	75	165	378	204	180	144	96	137	60	174	234
CM 3-3	71	0.60	1"	1"	3/8"	10.5	141	158	125	208	75	165	378	204	180	144	96	137	60	174	234
CM 3-4	80	0.84	1"	1"	3/8"	10.5	141	158	125	208	75	165	418	204	180	144	96	137	60	214	274
CM 5-3	80	1.14	1"	1"	3/8"	10.5	141	158	125	208	75	165	418	204	180	144	96	137	60	214	274
CM 5-4	90	1.54	1"	1"	3/8"	10.0	178	178	140	229	90	180	469	245	230	144	125	155	101	224	325

All dimensions are in mm unless otherwise stated.

24. Dimensions, CME 60 Hz and 50/60 Hz

CME 1-A

(A = cast iron EN-GJL-200)



TM06 7510 3616

Dimensions

3 x 380-500 V, 50/60 Hz (supply voltage S)

3 x 440-480 V, 50/60 Hz (supply voltage T)

Pump type	Frame size	P ₂ [kW]	Dimensions [mm]																		
			A1	A2	A3	A4	B1	B2	B3	H	H1	H2	L1	L2	L3	L4	L5	L6	L7	L8	L9
CME 1-2	71	0.55	1"	1"	3/8"	10.5	267	158	125	233	75	149	348	112	87	85	96	137	27	236	263
CME 1-3	71	0.55	1"	1"	3/8"	10.5	267	158	125	233	75	149	366	130	105	103	96	137	27	236	263
CME 1-4	71	0.55	1"	1"	3/8"	10.5	267	158	125	233	75	149	384	148	123	121	96	137	27	236	263
CME 1-5	80	1.10	1"	1"	3/8"	10.5	267	158	125	233	75	149	402	166	141	139	96	137	27	236	263

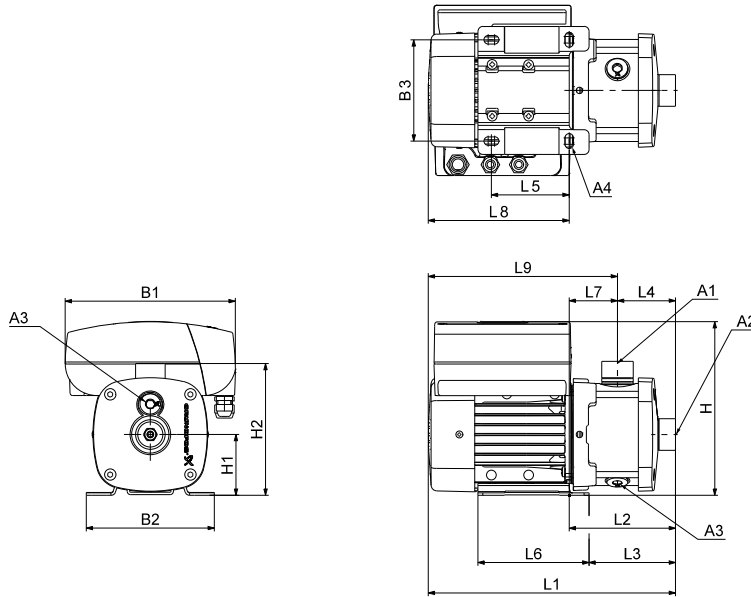
1 x 200-240 V, 50/60 Hz (supply voltage U)

Pump type	Frame size	P ₂ [kW]	Dimensions [mm]																		
			A1	A2	A3	A4	B1	B2	B3	H	H1	H2	L1	L2	L3	L4	L5	L6	L7	L8	L9
CME 1-2	71	0.55	1"	1"	3/8"	10.5	212	158	125	233	75	149	308	112	87	85	96	137	27	196	223
CME 1-3	71	0.55	1"	1"	3/8"	10.5	212	158	125	233	75	149	326	130	105	103	96	137	27	196	223
CME 1-4	71	0.55	1"	1"	3/8"	10.5	212	158	125	233	75	149	344	148	123	121	96	137	27	196	223
CME 1-5	80	1.10	1"	1"	3/8"	10.5	212	158	125	233	75	149	362	166	141	139	96	137	27	196	223

All dimensions are in mm unless otherwise stated.

CME 1-I and CME 1-G

(I = EN 1.4301/AISI 304 and G = EN 1.4401/AISI 316)



TM06 7508 3616

Dimensions

3 x 380-500 V, 50/60 Hz (supply voltage S)
3 x 440-480 V, 50/60 Hz (supply voltage T)

Pump type	Frame size	P ₂ [kW]	Dimensions [mm]																		
			A1	A2	A3	A4	B1	B2	B3	H	H1	H2	L1	L2	L3	L4	L5	L6	L7	L8	L9
CME 1-2	71	0.55	1"	1"	3/8"	10.5	267	158	125	233	75	165	368	132	107	72	96	137	60	236	296
CME 1-3	71	0.55	1"	1"	3/8"	10.5	267	158	125	233	75	165	368	132	107	72	96	137	60	236	296
CME 1-4	71	0.55	1"	1"	3/8"	10.5	267	158	125	233	75	165	386	150	125	90	96	137	60	236	296
CME 1-5	80	1.10	1"	1"	3/8"	10.5	267	158	125	233	75	165	404	168	143	108	96	137	60	236	296
CME 1-6	80	1.10	1"	1"	3/8"	10.5	267	158	125	233	75	165	440	204	179	144	96	137	60	236	296
CME 1-7	80	1.10	1"	1"	3/8"	10.5	267	158	125	233	75	165	440	204	179	144	96	137	60	236	296
CME 1-8	80	1.10	1"	1"	3/8"	10.5	267	158	125	233	75	165	476	240	215	180	96	137	60	236	296
CME 1-9	90	1.50	1"	1"	3/8"	10.5	267	178	140	248	90	181	482	285	270	180	125	155	105	198	303

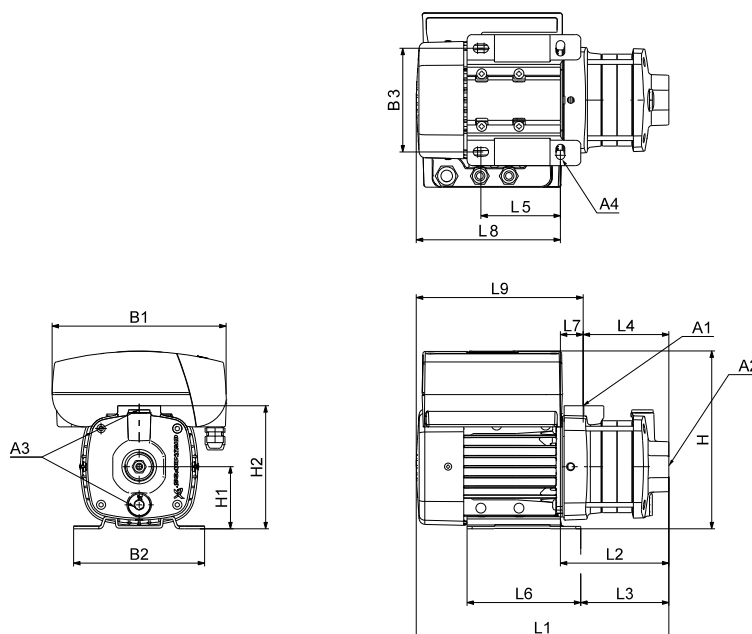
1 x 200-240 V, 50/60 Hz (supply voltage U)

Pump type	Frame size	P ₂ [kW]	Dimensions [mm]																		
			A1	A2	A3	A4	B1	B2	B3	H	H1	H2	L1	L2	L3	L4	L5	L6	L7	L8	L9
CME 1-2	71	0.55	1"	1"	3/8"	10.5	212	158	125	233	75	165	328	132	107	72	96	137	60	196	256
CME 1-3	71	0.55	1"	1"	3/8"	10.5	212	158	125	233	75	165	328	132	107	72	96	137	60	196	256
CME 1-4	71	0.55	1"	1"	3/8"	10.5	212	158	125	233	75	165	346	150	125	90	96	137	60	196	256
CME 1-5	80	1.10	1"	1"	3/8"	10.5	212	158	125	233	75	165	364	168	143	108	96	137	60	196	256
CME 1-6	80	1.10	1"	1"	3/8"	10.5	212	158	125	233	75	165	400	204	179	144	96	137	60	196	256
CME 1-7	80	1.10	1"	1"	3/8"	10.5	212	158	125	233	75	165	400	204	179	144	96	137	60	196	256
CME 1-8	80	1.10	1"	1"	3/8"	10.5	212	158	125	233	75	165	436	240	215	180	96	137	60	196	256
CME 1-9	90	1.50	1"	1"	3/8"	10.5	212	178	140	248	90	181	443	285	270	180	125	155	105	158	263

All dimensions are in mm unless otherwise stated.

CME 3-A

(A = cast iron EN-GJL-200)



TM06 7510 3616

Dimensions

3 x 380-500 V, 50/60 Hz (supply voltage S)

3 x 440-480 V, 50/60 Hz (supply voltage T)

Pump type	Frame size	P ₂ [kW]	Dimensions [mm]																		
			A1	A2	A3	A4	B1	B2	B3	H	H1	H2	L1	L2	L3	L4	L5	L6	L7	L8	L9
CME 3-2	71	0.55	1"	1"	3/8"	10.5	267	158	125	233	75	149	348	112	87	85	96	137	27	236	263
CME 3-3	80	1.10	1"	1"	3/8"	10.5	267	158	125	233	75	149	366	130	105	103	96	137	27	236	263
CME 3-4	80	1.10	1"	1"	3/8"	10.5	267	158	125	233	75	149	384	148	123	121	96	137	27	236	263
CME 3-5	80	1.10	1"	1"	3/8"	10.5	267	158	125	233	75	149	402	166	141	139	96	137	27	236	263

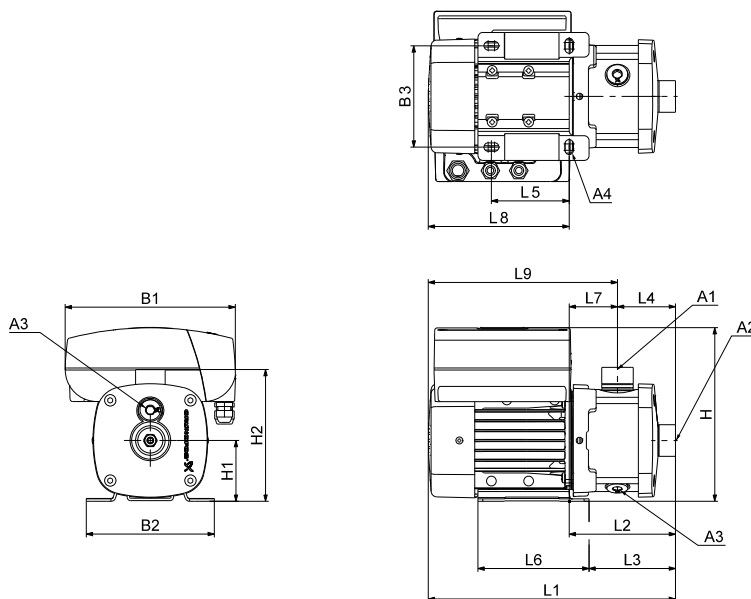
1 x 200-240 V, 50/60 Hz (supply voltage U)

Pump type	Frame size	P ₂ [kW]	Dimensions [mm]																		
			A1	A2	A3	A4	B1	B2	B3	H	H1	H2	L1	L2	L3	L4	L5	L6	L7	L8	L9
CME 3-2	71	0.55	1"	1"	3/8"	10.5	212	158	125	233	75	149	308	112	87	85	96	137	27	196	223
CME 3-3	80	1.10	1"	1"	3/8"	10.5	212	158	125	233	75	149	326	130	105	103	96	137	27	196	223
CME 3-4	80	1.10	1"	1"	3/8"	10.5	212	158	125	233	75	149	344	148	123	121	96	137	27	196	223
CME 3-5	80	1.10	1"	1"	3/8"	10.5	212	158	125	233	75	149	362	166	141	139	96	137	27	196	223

All dimensions are in mm unless otherwise stated.

CME 3-I and CME 3-G

(I = EN 1.4301/AISI 304 and G = EN 1.4401/AISI 316)



TM06 7508 3616

Dimensions

3 x 380-500 V, 50/60 Hz (supply voltage S)
3 x 440-480 V, 50/60 Hz (supply voltage T)

Pump type	Frame size	P ₂ [kW]	Dimensions [mm]																		
			A1	A2	A3	A4	B1	B2	B3	H	H1	H2	L1	L2	L3	L4	L5	L6	L7	L8	L9
CME 3-2	71	0.55	1"	1"	3/8"	10.5	267	158	125	233	75	165	368	132	107	72	96	137	60	236	296
CME 3-3	80	1.10	1"	1"	3/8"	10.5	267	158	125	233	75	165	368	132	107	72	96	137	60	236	296
CME 3-4	80	1.10	1"	1"	3/8"	10.5	267	158	125	233	75	165	386	150	125	90	96	137	60	236	296
CME 3-5	80	1.10	1"	1"	3/8"	10.5	267	158	125	233	75	165	404	168	143	108	96	137	60	236	296
CME 3-6	90	1.50	1"	1"	3/8"	10.5	267	178	140	248	90	181	446	249	234	144	125	155	105	198	303
CME 3-7	90	1.50	1"	1"	3/8"	10.5	267	178	140	248	90	181	446	249	234	144	125	155	105	198	303
CME 3-8	90	2.20	1"	1"	3/8"	10.5	267	178	140	248	90	181	482	285	270	180	125	155	105	198	303
CME 3-9	90	2.20	1"	1"	3/8"	10.5	267	178	140	248	90	181	482	285	270	180	125	155	105	198	303

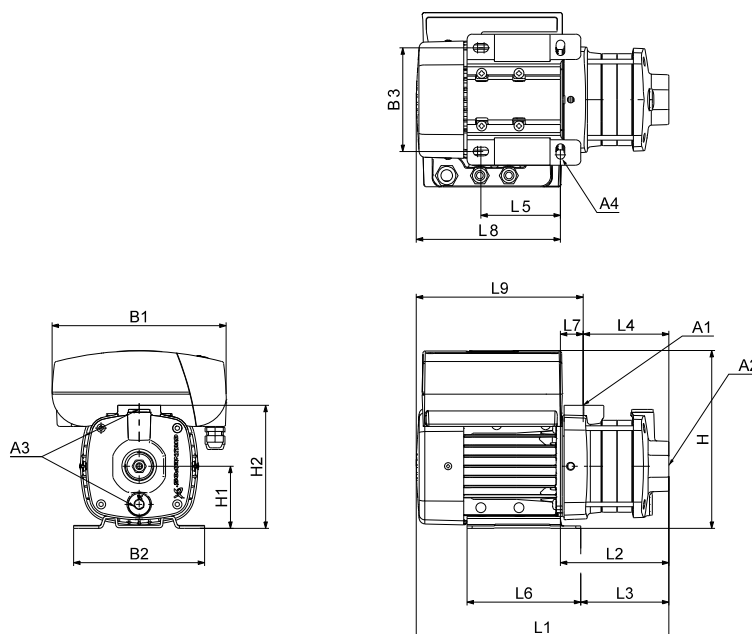
1 x 200-240 V, 50/60 Hz (supply voltage U)

Pump type	Frame size	P ₂ [kW]	Dimensions [mm]																		
			A1	A2	A3	A4	B1	B2	B3	H	H1	H2	L1	L2	L3	L4	L5	L6	L7	L8	L9
CME 3-2	71	0.55	1"	1"	3/8"	10.5	212	158	125	233	75	165	328	132	107	72	96	137	60	196	256
CME 3-3	80	1.10	1"	1"	3/8"	10.5	212	158	125	233	75	165	328	132	107	72	96	137	60	196	256
CME 3-4	80	1.10	1"	1"	3/8"	10.5	212	158	125	233	75	165	346	150	125	90	96	137	60	196	256
CME 3-5	80	1.10	1"	1"	3/8"	10.5	212	158	125	233	75	165	364	168	143	108	96	137	60	196	256
CME 3-6	90	1.50	1"	1"	3/8"	10.5	212	178	140	248	90	181	407	249	234	144	125	155	105	158	263
CME 3-7	90	1.50	1"	1"	3/8"	10.5	212	178	140	248	90	181	407	249	234	144	125	155	105	158	263

All dimensions are in mm unless otherwise stated.

CME 5-A

(A = cast iron EN-GJL-200)



TM06 7510 3616

Dimensions

3 x 380-500 V, 50/60 Hz (supply voltage S)

3 x 440-480 V, 50/60 Hz (supply voltage T)

Pump type	Frame size	P ₂ [kW]	Dimensions [mm]																		
			A1	A2	A3	A4	B1	B2	B3	H	H1	H2	L1	L2	L3	L4	L5	L6	L7	L8	L9
CME 5-2	80	1.10	1"	1 1/4"	3/8"	10.5	267	158	125	233	75	149	348	112	87	85	96	137	27	236	263
CME 5-3	80	1.10	1"	1 1/4"	3/8"	10.5	267	158	125	233	75	149	366	130	105	103	96	137	27	236	263
CME 5-4	90	1.50	1"	1 1/4"	3/8"	10.5	267	178	140	248	90	202	397	199	184	108	125	155	92	198	290
CME 5-5	90	2.20	1"	1 1/4"	3/8"	10.5	267	178	140	248	90	202	415	217	202	126	125	155	92	198	290

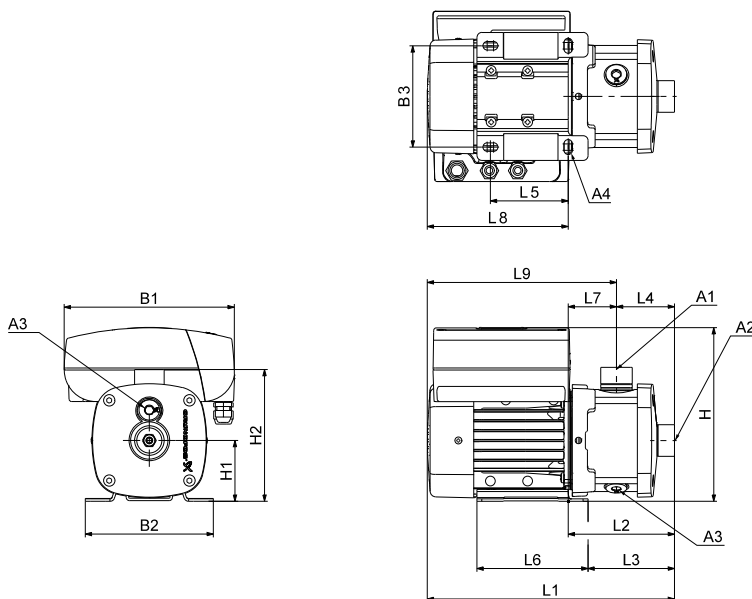
1 x 200-240 V, 50/60 Hz (supply voltage U)

Pump type	Frame size	P ₂ [kW]	Dimensions [mm]																		
			A1	A2	A3	A4	B1	B2	B3	H	H1	H2	L1	L2	L3	L4	L5	L6	L7	L8	L9
CME 5-2	80	1.10	1"	1 1/4"	3/8"	10.5	212	158	125	233	75	149	308	112	87	85	96	137	27	196	223
CME 5-3	80	1.10	1"	1 1/4"	3/8"	10.5	212	158	125	233	75	149	326	130	105	103	96	137	27	196	223
CME 5-4	90	1.50	1"	1 1/4"	3/8"	10.5	212	178	140	248	90	202	357	200	185	108	125	155	92	158	250

All dimensions are in mm unless otherwise stated.

CME 5-I and CME 5-G

(I = EN 1.4301/AISI 304 and G = EN 1.4401/AISI 316)



TM06 7508 3616

Dimensions

3 x 380-500 V, 50/60 Hz (supply voltage S)
3 x 440-480 V, 50/60 Hz (supply voltage T)

Pump type	Frame size	P ₂ [kW]	Dimensions [mm]																		
			A1	A2	A3	A4	B1	B2	B3	H	H1	H2	L1	L2	L3	L4	L5	L6	L7	L8	L9
CME 5-2	80	1.10	1"	1 1/4"	3/8"	10.5	267	158	125	233	75	165	368	132	107	72	96	137	60	236	296
CME 5-3	80	1.10	1"	1 1/4"	3/8"	10.5	267	158	125	233	75	165	368	132	107	72	96	137	60	236	296
CME 5-4	90	1.50	1"	1 1/4"	3/8"	10.5	267	178	140	248	90	181	392	195	180	90	125	155	105	198	303
CME 5-5	90	2.20	1"	1 1/4"	3/8"	10.5	267	178	140	248	90	181	410	213	198	108	125	155	105	198	303
CME 5-6	90	2.20	1"	1 1/4"	3/8"	10.5	267	178	140	248	90	181	446	249	234	144	125	155	105	198	303
CME 5-7	100	3.00	1"	1 1/4"	3/8"	12.0	291	200	160	300	100	190	520	250	233	144	140	173	106	270	376
CME 5-8	100	3.00	1"	1 1/4"	3/8"	12.0	291	200	160	300	100	190	556	286	269	180	140	173	106	270	376

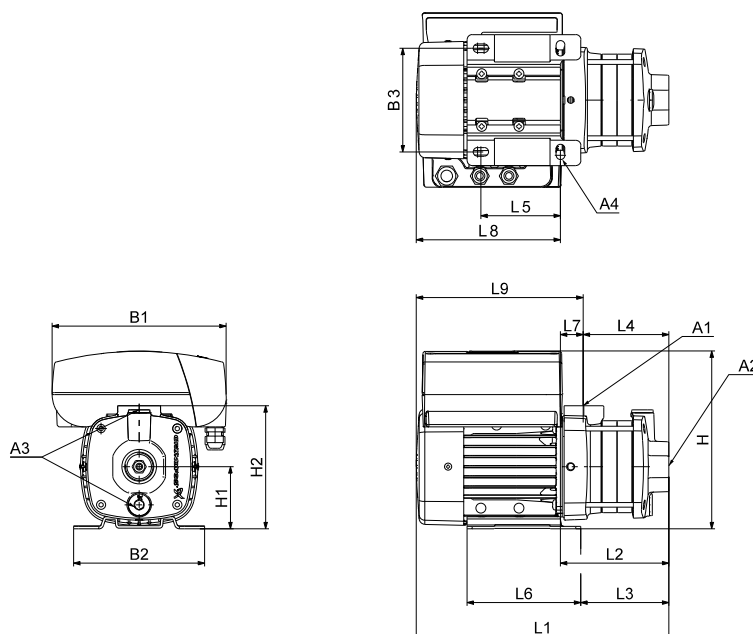
1 x 200-240 V, 50/60 Hz (supply voltage U)

Pump type	Frame size	P ₂ [kW]	Dimensions [mm]																		
			A1	A2	A3	A4	B1	B2	B3	H	H1	H2	L1	L2	L3	L4	L5	L6	L7	L8	L9
CME 5-2	80	1.10	1"	1 1/4"	3/8"	10.5	212	158	125	233	75	165	328	132	107	72	96	137	60	196	256
CME 5-3	80	1.10	1"	1 1/4"	3/8"	10.5	212	158	125	233	75	165	328	132	107	72	96	137	60	196	256
CME 5-4	90	1.50	1"	1 1/4"	3/8"	10.5	212	178	140	248	90	181	353	195	180	90	125	155	105	158	263

All dimensions are in mm unless otherwise stated.

CME 10-A

(A = cast iron EN-GJL-200)



TM06 7510 3616

Dimensions

3 x 380-500 V, 50/60 Hz (supply voltage S)

3 x 440-480 V, 50/60 Hz (supply voltage T)

Pump type	Frame size	P ₂ [kW]	Dimensions [mm]																		
			A1	A2	A3	A4	B1	B2	B3	H	H1	H2	L1	L2	L3	L4	L5	L6	L7	L8	L9
CME 10-1	80	1.10	1 1/2"	1 1/2"	3/8"	10.5	267	158	125	258	100	242	398	162	138	97	95	137	65	236	301
CME 10-2	90	2.20	1 1/2"	1 1/2"	3/8"	12.0	267	199	160	258	100	242	398	190	175	97	140	170	93	209	301
CME 10-3	112	4.00	1 1/2"	1 1/2"	3/8"	12.0	291	230	190	312	112	254	506	242	222	127	140	189	115	264	379

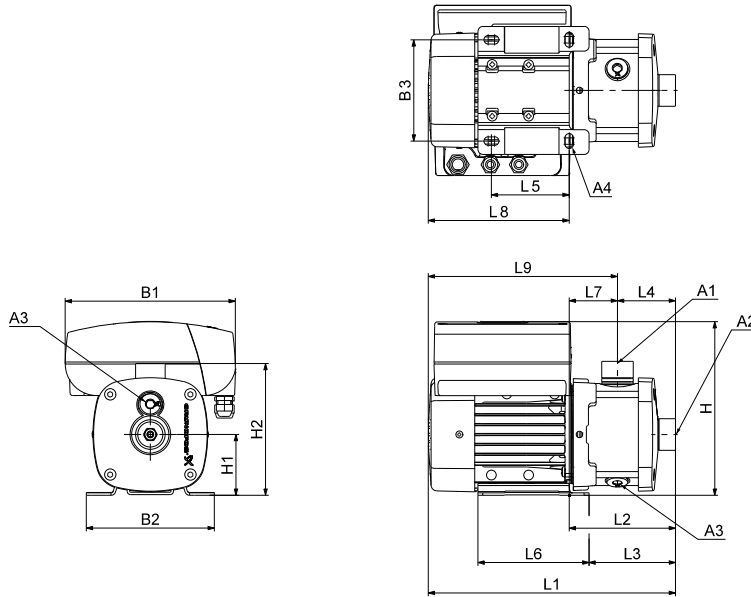
1 x 200-240 V, 50/60 Hz (supply voltage U)

Pump type	Frame size	P ₂ [kW]	Dimensions [mm]																		
			A1	A2	A3	A4	B1	B2	B3	H	H1	H2	L1	L2	L3	L4	L5	L6	L7	L8	L9
CME 10-1	80	1.10	1 1/2"	1 1/2"	3/8"	10.5	212	158	125	258	100	242	352	155	131	97	95	137	58	196	255

All dimensions are in mm unless otherwise stated.

CME 10-I and CME 10-G

(I = EN 1.4301/AISI 304 and G = EN 1.4401/AISI 316)



TM06 7508 3616

Dimensions

3 x 380-500 V, 50/60 Hz (supply voltage S)
3 x 440-480 V, 50/60 Hz (supply voltage T)

Pump type	Frame size	P ₂ [kW]	Dimensions [mm]																		
			A1	A2	A3	A4	B1	B2	B3	H	H1	H2	L1	L2	L3	L4	L5	L6	L7	L8	L9
CME 10-1	80	1.10	1 1/2"	1 1/2"	3/8"	10.5	267	158	125	258	100	219	428	192	168	105	95	137	87	236	323
CME 10-2	90	2.20	1 1/2"	1 1/2"	3/8"	12.0	267	199	160	258	100	219	428	220	205	105	140	170	115	209	323
CME 10-3	112	4.00	1 1/2"	1 1/2"	3/8"	12.0	291	230	190	312	112	230	506	242	222	105	140	189	137	264	401
CME 10-4	112	5.50	1 1/2"	1 1/2"	3/8"	12.0	291	230	190	312	112	230	553	289	269	135	140	189	154	264	418
CME 10-5	112	5.50	1 1/2"	1 1/2"	3/8"	12.0	291	230	190	312	112	230	613	349	329	195	140	189	154	264	418

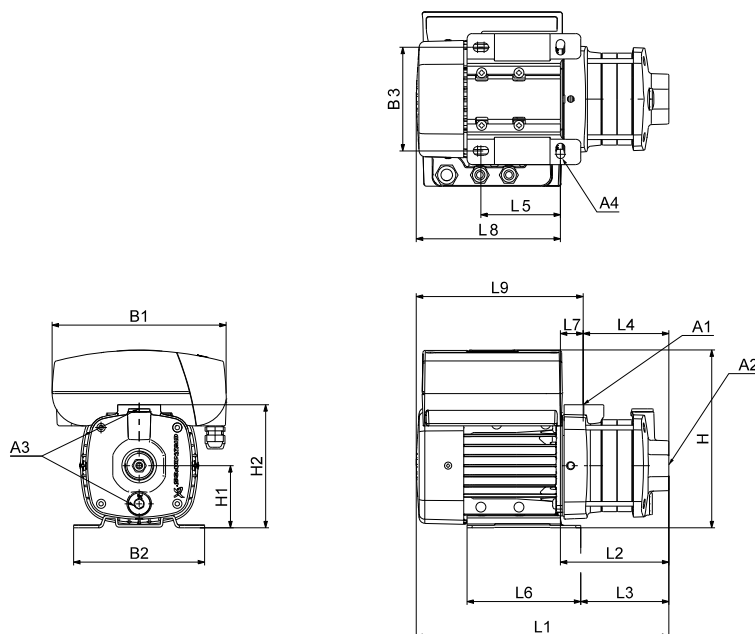
1 x 200-240 V, 50/60 Hz (supply voltage U)

Pump type	Frame size	P ₂ [kW]	Dimensions [mm]																		
			A1	A2	A3	A4	B1	B2	B3	H	H1	H2	L1	L2	L3	L4	L5	L6	L7	L8	L9
CME 10-1	80	1.10	1 1/2"	1 1/2"	3/8"	10.5	212	158	125	258	100	219	382	185	161	105	95	137	80	196	277

All dimensions are in mm unless otherwise stated.

CME 15-A

(A = cast iron EN-GJL-200)



TM06 7510 3616

Dimensions

3 x 380-500 V, 50/60 Hz (supply voltage S)

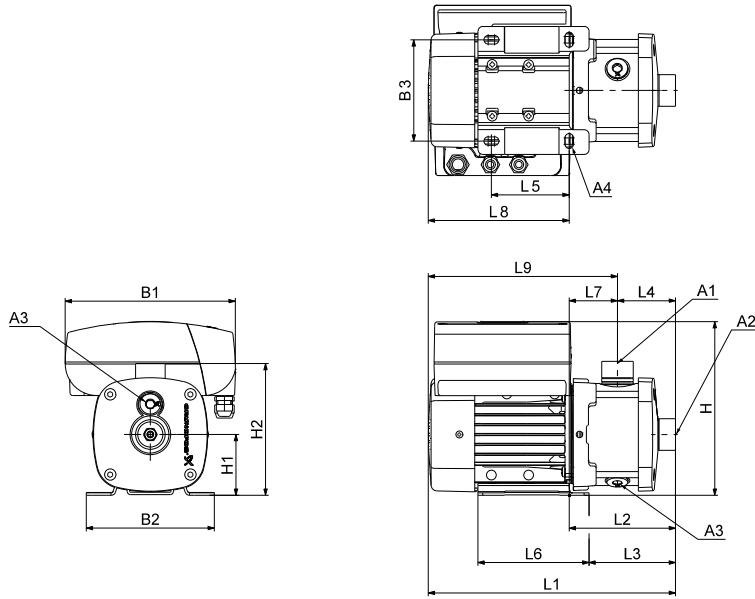
3 x 440-480 V, 50/60 Hz (supply voltage T)

Pump type	Frame size	P ₂ [kW]	Dimensions [mm]																		
			A1	A2	A3	A4	B1	B2	B3	H	H1	H2	L1	L2	L3	L4	L5	L6	L7	L8	L9
CME 15-1	90	2.20	2"	2"	3/8"	12.0	267	199	160	258	100	242	398	190	175	97	140	170	93	209	301
CME 15-2	112	4.00	2"	2"	3/8"	12.0	291	230	190	312	112	254	476	212	192	97	140	189	115	264	379
CME 15-3	132	7.50	2"	2"	3/8"	12.0	346	256	216	368	132	274	559	259	239	127	140	192	132	300	432

All dimensions are in mm unless otherwise stated.

CME 15-I and CME 15-G

(I = EN 1.4301/AISI 304 and G = EN 1.4401/AISI 316)



TM06 7508 3616

Dimensions

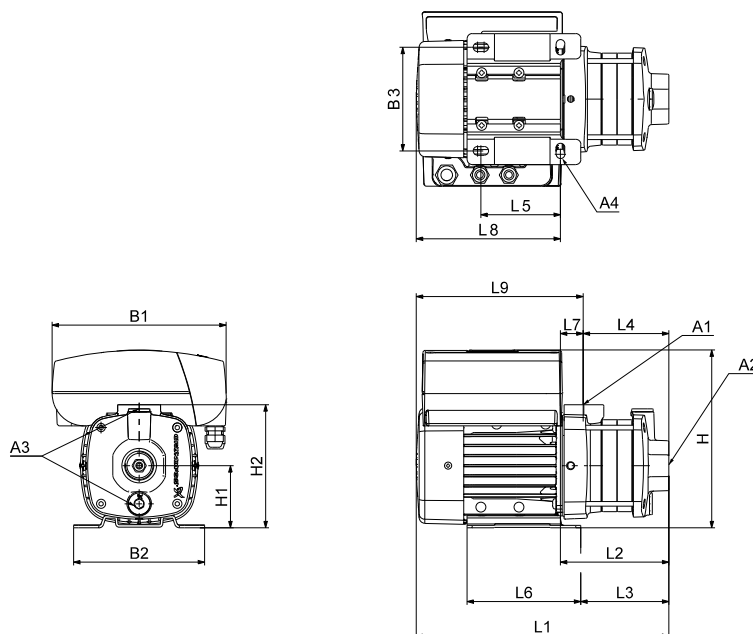
3 x 380-500 V, 50/60 Hz (supply voltage S)
 3 x 440-480 V, 50/60 Hz (supply voltage T)

Pump type	Frame size	P ₂ [kW]	Dimensions [mm]																		
			A1	A2	A3	A4	B1	B2	B3	H	H1	H2	L1	L2	L3	L4	L5	L6	L7	L8	L9
CME 15-1	90	2.20	2"	2"	3/8"	12.0	267	199	160	258	100	217	428	220	205	105	140	170	115	209	323
CME 15-2	112	4.00	2"	2"	3/8"	12.0	291	230	190	312	112	229	506	242	222	105	140	189	137	264	401
CME 15-3	132	7.50	2"	2"	3/8"	12.0	346	256	216	368	132	249	559	259	239	105	140	192	154	300	454

All dimensions are in mm unless otherwise stated.

CME 25-A

(A = cast iron EN-GJL-200)



TM06 7510 3616

Dimensions

3 x 380-500 V, 50/60 Hz (supply voltage S)

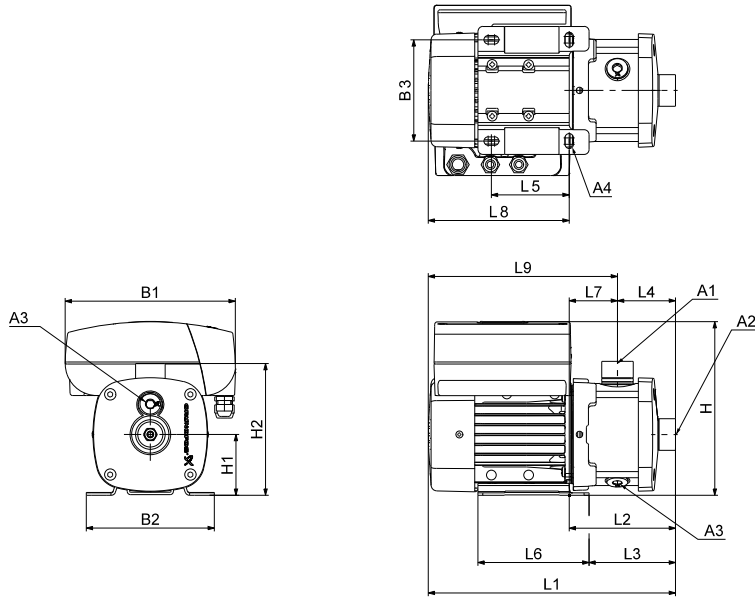
3 x 440-480 V, 50/60 Hz (supply voltage T)

Pump type	Frame size	P ₂ [kW]	Dimensions [mm]																		
			A1	A2	A3	A4	B1	B2	B3	H	H1	H2	L1	L2	L3	L4	L5	L6	L7	L8	L9
CME 25-1	100	3.00	2"	2"	3/8"	12.0	291	200	160	300	100	242	476	205	189	97	140	173	108	270	379
CME 25-2	132	7.50	2"	2"	3/8"	12.0	346	256	216	368	132	274	529	229	209	97	140	192	132	300	432

All dimensions are in mm unless otherwise stated.

CME 25-I and CME 25-G

(I = EN 1.4301/AISI 304 and G = EN 1.4401/AISI 316)



TM06 7508 3616

Dimensions

3 x 380-500 V, 50/60 Hz (supply voltage S)
3 x 440-480 V, 50/60 Hz (supply voltage T)

Pump type	Frame size	P ₂ [kW]	Dimensions [mm]																		
			A1	A2	A3	A4	B1	B2	B3	H	H1	H2	L1	L2	L3	L4	L5	L6	L7	L8	L9
CME 25-1	100	3.00	2"	2"	3/8"	12.0	291	200	160	300	100	217	506	235	219	105	140	173	130	270	401
CME 25-2	132	7.50	2"	2"	3/8"	12.0	346	256	216	368	132	249	559	259	239	105	140	192	154	300	454

All dimensions are in mm unless otherwise stated.

25. Weights and shipping volume

All weights and volumes refer to pumps with standard pipe connections.

Overview

Pump type	Material variant	Pages
CM non-self-priming	Cast iron	109-111
	Stainless steel	111-113
CM self-priming	Stainless steel	114
CME non-self-priming	Cast iron	114
	Stainless steel	115

CM non-self-priming pumps

Cast iron (A = cast iron EN-GJL-200)

CM non-self-priming pumps Cast iron (A = cast iron EN-GJL-200)	Pump type	Net weight [kg]	Gross weight [kg]	Shipping volume [m ³]	
1 x 220 V, 60 Hz (supply voltage A)	CM 1-2	11.68	14.18	0.02	
	CM 1-3	11.96	14.46	0.02	
	CM 1-4	12.22	14.72	0.02	
	CM 1-5	12.50	15.00	0.02	
	CM 3-2	11.68	14.18	0.02	
	CM 3-3	11.96	14.46	0.02	
	CM 3-4	13.62	16.12	0.03	
	CM 3-5	15.00	17.50	0.04	
	CM 5-2	12.98	15.48	0.02	
	CM 5-3	14.36	16.86	0.04	
	CM 5-4	24.25	26.75	0.04	
	CM 10-1	24.53	27.03	0.04	
	1 x 115/230 V, 60 Hz (supply voltage B)	CM 1-2	23.36	25.86	0.04
		CM 1-3	11.96	14.46	0.02
		CM 1-4	12.22	14.72	0.02
		CM 1-5	12.50	15.00	0.02
		CM 3-2	11.68	14.18	0.02
CM 3-3		11.96	14.46	0.02	
CM 3-4		13.62	16.12	0.03	
CM 3-5		15.00	17.50	0.04	
CM 5-2		12.98	15.48	0.02	
CM 5-3		14.36	16.86	0.04	
CM 5-4		24.25	26.75	0.04	
CM 5-5		24.53	27.03	0.04	
CM 10-1		23.36	25.86	0.04	
1 x 220-240 V, 50 Hz (supply voltage C)		CM 1-2	10.98	13.48	0.02
		CM 1-3	11.26	13.76	0.02
		CM 1-4	12.22	14.72	0.02
		CM 1-5	12.50	15.00	0.02
	CM 1-6	12.77	15.27	0.03	
	CM 1-7	13.04	15.54	0.03	
	CM 1-8	14.71	17.21	0.03	
	CM 3-2	10.98	13.48	0.02	
	CM 3-3	11.96	14.46	0.02	
	CM 3-4	12.22	14.72	0.02	
	CM 3-5	12.50	15.00	0.02	
	CM 3-6	14.17	16.67	0.03	
	CM 3-7	15.54	18.04	0.03	
	CM 3-8	15.81	18.31	0.03	
	CM 5-2	11.58	14.08	0.02	
	CM 5-3	11.86	14.36	0.02	
	CM 5-4	13.53	16.02	0.03	
	CM 5-5	14.90	17.40	0.03	
	CM 5-6	22.70	25.20	0.04	
	CM 5-7	22.97	25.47	0.04	
CM 5-8	23.24	25.74	0.04		
CM 10-1	22.16	24.66	0.04		
CM 10-2	29.83	32.33	0.04		
CM 10-3	32.64	35.14	0.04		

CM non-self-priming pumps Cast iron (A = cast iron EN-GJL-200)	Pump type	Net weight [kg]	Gross weight [kg]	Shipping volume [m ³]	
1 x 220-240 V, 50 Hz (supply voltage C)	CM 15-1	28.53	31.03	0.04	
	CM 15-2	31.27	33.77	0.04	
	CM 25-1	30.63	33.13	0.04	
	CM 1-2	10.98	13.48	0.02	
	CM 1-3	11.26	13.76	0.02	
	CM 1-4	11.52	14.02	0.02	
	CM 1-5	11.80	14.30	0.02	
	CM 1-6	12.07	14.57	0.03	
	CM 1-7	13.04	15.54	0.03	
	CM 1-8	13.31	15.81	0.03	
	CM 3-2	10.98	13.48	0.02	
	CM 3-3	11.26	13.76	0.02	
	CM 3-4	11.52	14.02	0.02	
	CM 3-5	12.50	15.00	0.02	
	CM 3-6	12.77	15.27	0.03	
	CM 3-7	16.54	19.04	0.03	
	CM 3-8	16.81	19.31	0.04	
	CM 5-2	10.88	13.38	0.02	
	CM 5-3	11.86	14.36	0.02	
	CM 5-4	15.63	18.13	0.03	
	CM 5-5	15.90	18.40	0.03	
	CM 5-6	25.50	28.00	0.04	
	CM 5-7	25.77	28.27	0.04	
	CM 5-8	28.94	31.44	0.05	
	CM 10-1	20.86	23.36	0.04	
	CM 10-2	32.63	35.13	0.04	
	CM 10-3	35.84	38.34	0.04	
CM 10-4	41.51	44.01	0.05		
CM 10-5	42.20	44.70	0.05		
CM 15-1	22.54	25.04	0.04		
CM 15-2	35.18	37.68	0.04		
CM 15-3	52.02	54.52	0.08		
CM 15-4	56.40	58.90	0.08		
CM 25-1	33.83	36.33	0.04		
CM 25-2	51.31	53.81	0.08		
CM 25-3	55.72	58.22	0.08		
CM 25-4	56.40	58.90	0.08		
3 x 220-240/380-415 V, 50 Hz (supply voltage F)	CM 1-2	10.98	13.48	0.02	
	CM 1-3	11.26	13.76	0.02	
	CM 1-4	12.22	14.72	0.02	
	CM 1-5	12.50	15.00	0.02	
	CM 3-2	10.98	13.48	0.02	
	CM 3-3	11.96	14.46	0.02	
	CM 3-4	12.22	14.72	0.02	
	CM 3-5	16.00	18.50	0.03	
	CM 5-2	11.58	14.08	0.02	
	CM 5-3	15.36	17.86	0.03	
	CM 5-4	29.45	31.95	0.04	
	CM 5-5	29.73	32.23	0.04	
	CM 10-1	24.36	26.86	0.04	
	CM 10-2	35.84	38.34	0.04	
	CM 10-3	52.68	55.18	0.08	
	CM 15-1	35.83	38.33	0.04	
	CM 15-2	51.31	53.81	0.08	
	CM 15-3	55.32	57.82	0.08	
	CM 25-1	50.67	53.17	0.08	
	CM 25-2	54.61	57.11	0.08	
	3 x 200/346 V, 50 Hz; 3 x 200-220/346-380 V, 60 Hz (supply voltage G)	CM 1-2	11.68	14.18	0.02
		CM 1-3	11.96	14.46	0.02
		CM 1-4	12.22	14.72	0.02
		CM 1-5	12.50	15.00	0.02
CM 3-2		11.68	14.18	0.02	
CM 3-3		11.96	14.46	0.02	
CM 3-4		12.22	14.72	0.02	
CM 3-5		15.63	18.13	0.03	
CM 5-2		11.58	14.08	0.02	
CM 5-3		15.36	17.86	0.03	
CM 5-4		27.85	30.35	0.04	
CM 5-5		28.13	30.63	0.04	
3 x 208-230/440-480 V, 60 Hz (supply voltage E) 3 x 575 V, 60 Hz (supply voltage H) 3 x 400 V, 50/60 Hz (supply voltage I) 3 x 380-415 V, 50 Hz; 3 x 440-480 V, 60 Hz (supply voltage J) 3 x 220-240/380-415 V, 50 Hz; 3 x 220-255/380-440 V, 60 Hz (supply voltage O)		CM 1-2	11.68	14.18	0.02
		CM 1-3	11.96	14.46	0.02
		CM 1-4	12.22	14.72	0.02
		CM 1-5	12.50	15.00	0.02
		CM 3-2	11.68	14.18	0.02
		CM 3-3	11.96	14.46	0.02
		CM 3-4	12.22	14.72	0.02
		CM 3-5	15.63	18.13	0.03
		CM 5-2	11.58	14.08	0.02
		CM 5-3	15.36	17.86	0.03
		CM 5-4	27.85	30.35	0.04
		CM 5-5	28.13	30.63	0.04

CM non-self-priming pumps Cast iron (A = cast iron EN-GJL-200)	Pump type	Net weight [kg]	Gross weight [kg]	Shipping volume [m³]
3 x 208-230/440-480 V, 60 Hz (supply voltage E) 3 x 575 V, 60 Hz (supply voltage H) 3 x 400 V, 50/60 Hz (supply voltage I) 3 x 380-415 V, 50 Hz; 3 x 440-480 V, 60 Hz (supply voltage J) 3 x 220-240/380-415 V, 50 Hz; 3 x 220-255/380-440 V, 60 Hz (supply voltage O)	CM 10-1	23.20	25.70	0.04
	CM 10-2	35.84	38.34	0.04
	CM 10-3	52.68	55.18	0.08
	CM 15-1	33.83	36.33	0.04
	CM 15-2	51.31	53.81	0.08
	CM 15-3	55.32	57.82	0.08
	CM 25-1	50.67	53.17	0.08
	CM 25-2	54.61	57.11	0.08

CM non-self-priming pumps

Stainless steel (I = EN 1.4301/AISI 304 and G = EN 1.4401/AISI 316)

CM non-self-priming pumps Stainless steel (I = EN 1.4301/AISI 304 and G = EN 1.4401/AISI 316)	Pump type	Net weight [kg]	Gross weight [kg]	Shipping volume [m³]
1 x 220 V, 60 Hz (supply voltage A)	CM 1-2	12.31	14.81	0.02
	CM 1-3	12.39	14.89	0.02
	CM 1-4	12.72	15.22	0.02
	CM 1-5	13.07	15.57	0.02
	CM 1-6	15.07	17.57	0.03
	CM 1-7	16.25	18.75	0.04
	CM 1-8	16.84	19.34	0.04
	CM 1-9	16.93	19.43	0.04
	CM 3-2	12.31	14.81	0.02
	CM 3-3	12.39	14.89	0.02
	CM 3-4	14.12	16.62	0.03
	CM 3-5	15.57	18.07	0.04
	CM 3-6	23.95	26.45	0.04
	CM 3-7	24.04	26.54	0.04
	CM 3-8	24.63	27.13	0.04
	CM 5-2	13.68	16.18	0.02
	CM 5-3	14.86	17.36	0.04
	CM 5-4	22.98	25.48	0.04
	CM 10-1	18.75	21.25	0.04
	1 x 115/230 V, 60 Hz (supply voltage B)	CM 1-2	12.31	14.81
CM 1-3		12.39	14.89	0.02
CM 1-4		12.72	15.22	0.02
CM 1-5		13.07	15.57	0.02
CM 1-6		15.07	17.57	0.03
CM 1-7		16.25	18.75	0.04
CM 1-8		16.84	19.34	0.04
CM 1-9		16.93	19.43	0.04
CM 3-2		12.31	14.81	0.02
CM 3-3		12.39	14.89	0.02
CM 3-4		14.12	16.62	0.03
CM 3-5		15.57	18.07	0.04
CM 3-6		23.95	26.45	0.04
CM 3-7		24.04	26.54	0.04
CM 3-8		24.63	27.13	0.04
CM 5-2		13.68	16.18	0.02
CM 5-3		14.86	17.36	0.04
CM 5-4		22.98	25.48	0.04
CM 5-5		23.33	25.83	0.04
CM 10-1		18.75	21.25	0.04
1 x 220-240 V, 50 Hz (supply voltage C)	CM 1-2	11.61	14.11	0.02
	CM 1-3	11.69	14.19	0.02
	CM 1-4	12.72	15.22	0.02
	CM 1-5	13.07	15.57	0.02
	CM 1-6	13.67	16.17	0.03
	CM 1-7	13.75	16.25	0.03
	CM 1-8	15.74	18.25	0.04
	CM 1-9	15.82	18.32	0.04
	CM 1-10	16.44	18.94	0.04
	CM 1-11	17.61	20.11	0.04
	CM 1-12	18.48	20.98	0.05
	CM 1-13	18.55	21.05	0.05
	CM 1-14	24.32	26.82	0.08

CM non-self-priming pumps Stainless steel (I = EN 1.4301/AISI 304 and G = EN 1.4401/AISI 316)		Pump type	Net weight [kg]	Gross weight [kg]	Shipping volume [m ³]				
1 x 220-240 V, 50 Hz (supply voltage C)						CM 3-2	11.61	14.11	0.02
						CM 3-3	12.39	14.89	0.02
						CM 3-4	12.72	15.22	0.02
						CM 3-5	13.07	15.57	0.02
						CM 3-6	15.07	17.57	0.03
						CM 3-7	16.25	18.75	0.03
						CM 3-8	16.84	19.34	0.04
						CM 3-9	22.61	25.11	0.04
						CM 3-10	23.23	25.73	0.05
						CM 3-11	23.30	25.80	0.05
						CM 3-12	24.17	26.67	0.08
						CM 3-13	24.24	26.74	0.08
						CM 3-14	26.42	28.92	0.08
						CM 5-2	12.28	14.78	0.02
CM 5-3	12.36	14.86	0.02						
CM 5-4	14.09	16.59	0.03						
CM 5-5	15.54	18.04	0.03						
CM 5-6	21.83	24.33	0.04						
CM 5-7	21.91	24.41	0.04						
CM 5-8	22.51	25.01	0.04						
CM 5-9	24.69	27.19	0.04						
CM 5-10	25.30	27.80	0.05						
CM 5-11	25.37	27.87	0.05						
CM 10-1	17.56	20.06	0.04						
CM 10-2	24.79	27.29	0.04						
CM 10-3	27.09	29.59	0.04						
CM 15-1	24.48	26.98	0.04						
CM 15-2	26.78	29.28	0.04						
CM 25-1	26.58	29.08	0.04						
3 x 220-240/380-415 V, 50 Hz (supply voltage F)						CM 1-2	11.61	14.11	0.02
						CM 1-3	11.69	14.19	0.02
						CM 1-4	12.02	14.52	0.02
						CM 1-5	12.37	14.87	0.02
						CM 1-6	12.97	15.47	0.03
						CM 1-7	13.75	16.25	0.03
						CM 1-8	14.35	16.84	0.03
						CM 1-9	14.43	16.93	0.03
						CM 1-10	18.54	21.04	0.04
						CM 1-11	18.61	21.11	0.04
						CM 1-12	19.48	21.98	0.05
						CM 1-13	19.55	22.05	0.05
						CM 1-14	19.63	22.13	0.05
						CM 3-2	11.61	14.11	0.02
CM 3-3	11.69	14.19	0.02						
CM 3-4	12.02	14.52	0.02						
CM 3-5	13.07	15.57	0.02						
CM 3-6	13.67	16.17	0.03						
CM 3-7	17.25	19.75	0.03						
CM 3-8	17.84	20.34	0.04						
CM 3-9	17.95	20.45	0.04						
CM 3-10	26.03	28.53	0.05						
CM 3-11	26.10	28.60	0.05						
CM 3-12	26.94	29.44	0.08						
CM 3-13	29.94	32.44	0.08						
CM 3-14	30.02	32.52	0.08						
CM 5-2	11.58	14.08	0.02						
CM 5-3	12.36	14.86	0.02						
CM 5-4	16.19	18.69	0.04						
CM 5-5	16.54	19.04	0.03						
CM 5-6	24.63	27.13	0.04						
CM 5-7	24.71	27.21	0.04						
CM 5-8	28.21	30.71	0.05						
CM 5-9	28.29	30.79	0.05						
CM 5-10	28.90	31.40	0.05						
CM 5-11	30.54	33.04	0.05						
CM 5-12	31.49	33.99	0.08						
CM 5-13	31.56	34.06	0.08						
CM 10-1	16.25	18.75	0.04						

CM non-self-priming pumps Stainless steel (I = EN 1.4301/AISI 304 and G = EN 1.4401/AISI 316)	Pump type	Net weight [kg]	Gross weight [kg]	Shipping volume [m ³]
	CM 10-2	27.59	30.09	0.04
	CM 10-3	30.30	32.80	0.05
	CM 10-4	36.12	38.62	0.05
	CM 10-5	37.51	40.01	0.08
	CM 10-6	49.52	52.02	0.08
	CM 10-7	54.71	57.21	0.08
	CM 10-8	54.91	57.41	0.08
3 x 220-240/380-415 V, 50 Hz (supply voltage F)	CM 15-1	18.48	20.98	0.04
	CM 15-2	30.68	33.18	0.04
	CM 15-3	47.02	49.52	0.05
	CM 15-4	51.57	54.07	0.05
	CM 25-1	29.78	32.28	0.04
	CM 25-2	46.81	49.31	0.05
	CM 25-3	50.73	53.23	0.05
	CM 25-4	51.57	54.07	0.05
	CM 1-2	12.31	14.81	0.02
	CM 1-3	12.39	14.89	0.02
	CM 1-4	12.72	15.22	0.02
	CM 1-5	13.07	15.57	0.02
	CM 1-6	13.67	16.17	0.03
	CM 1-7	13.75	16.25	0.03
	CM 1-8	17.87	20.37	0.04
	CM 1-9	17.95	20.45	0.04
	CM 3-2	12.31	14.81	0.02
	CM 3-3	12.39	14.89	0.02
	CM 3-4	12.72	15.22	0.02
	CM 3-5	16.60	19.10	0.03
	CM 3-6	27.56	30.06	0.04
	CM 3-7	27.64	30.14	0.04
	CM 3-8	28.23	30.73	0.05
	CM 3-9	28.31	30.81	0.05
3 x 208-230/440-480 V, 60 Hz (supply voltage E)	CM 5-2	12.28	14.78	0.02
3 x 575 V, 60 Hz (supply voltage H)	CM 5-3	15.86	18.36	0.03
3 x 400 V, 50/60 Hz (supply voltage I)	CM 5-4	26.58	29.08	0.04
3 x 380-415 V, 50 Hz; 3 x 440-480 V, 60 Hz (supply voltage J)	CM 5-5	26.93	29.43	0.04
3 x 220-240/380-415 V, 50 Hz; 3 x 220-255/380-440 V, 60 Hz (supply voltage O)	CM 5-6	27.53	30.03	0.04
	CM 5-7	29.26	31.76	0.05
	CM 5-8	30.06	32.56	0.05
	CM 10-1	18.59	21.09	0.04
	CM 10-2	30.79	33.29	0.04
	CM 10-3	47.13	49.63	0.05
	CM 10-4	44.28	46.78	0.05
	CM 10-5	45.67	48.17	0.08
	CM 15-1	29.78	32.28	0.04
	CM 15-2	46.81	49.31	0.05
	CM 15-3	50.33	52.83	0.05
	CM 25-1	46.62	49.12	0.05
	CM 25-2	50.12	52.62	0.05

CM self-priming pumps

Stainless steel (I = EN 1.4301/AISI 304)

CM self-priming pumps Stainless steel (I = EN 1.4301/AISI 304)	Pump type	Net weight [kg]	Gross weight [kg]	Shipping volume [m ³]
1 x 220 V, 60 Hz (supply voltage A)	CM 1-3	11.7	14.2	0.02
	CM 1-4	12.0	14.5	0.02
	CM 3-3	11.7	14.2	0.02
	CM 3-4	12.0	14.5	0.02
	CM 5-3	12.4	14.9	0.02
	CM 5-4	15.5	18.0	0.03
1 x 220-240 V, 50 Hz (supply voltage C)	CM 1-3	11.7	14.2	0.02
	CM 1-4	12.7	15.2	0.02
	CM 1-5	13.1	15.6	0.02
	CM 1-6	13.7	16.2	0.03
	CM 3-3	12.4	14.9	0.02
	CM 3-4	12.7	15.2	0.02
	CM 3-5	13.1	15.6	0.02
	CM 3-6	15.1	17.6	0.03
	CM 5-3	12.4	14.9	0.02
	CM 5-4	14.1	16.6	0.03
	CM 5-5	15.5	18.0	0.03
	CM 5-6	21.8	24.3	0.04
	CM 5-7	21.9	24.4	0.04

CME non-self-priming pumps

Cast iron (A = cast iron EN-GJL-200)

CME non-self-priming pumps Cast iron (A = cast iron EN-GJL-200)	Pump type	Net weight [kg]	Gross weight [kg]	Shipping volume [m ³]
3 x 380-500 V, 50/60 Hz (supply voltage S) 3 x 440-480 V, 50/60 Hz (supply voltage T)	CME 1-2	13.68	17.18	0.08
	CME 1-3	13.96	17.46	0.08
	CME 1-4	14.22	17.72	0.08
	CME 1-5	15.30	18.80	0.08
	CME 3-2	13.68	17.18	0.08
	CME 3-3	14.76	18.26	0.08
	CME 3-4	15.02	18.52	0.08
	CME 3-5	15.30	18.80	0.08
	CME 5-2	14.38	17.88	0.08
	CME 5-3	14.66	18.16	0.08
	CME 5-4	18.15	21.65	0.08
	CME 5-5	17.59	21.09	0.08
	CME 10-1	23.56	27.06	0.08
	CME 10-2	27.13	30.63	0.08
	CME 10-3	41.28	44.78	0.09
	CME 15-1	25.83	29.33	0.08
	CME 15-2	39.91	43.41	0.09
	CME 15-3	52.88	56.38	0.09
	CME 25-1	36.05	39.55	0.09
	CME 25-2	52.20	55.70	0.09
1 x 200-240 V, 50/60 Hz (supply voltage U)	CME 1-2	12.78	16.28	0.03
	CME 1-3	13.06	16.56	0.04
	CME 1-4	13.32	16.82	0.04
	CME 1-5	14.40	17.90	0.04
	CME 3-2	12.78	16.28	0.03
	CME 3-3	13.86	17.36	0.04
	CME 3-4	14.12	17.62	0.04
	CME 3-5	14.40	17.90	0.04
	CME 5-2	13.48	16.98	0.03
	CME 5-3	13.76	17.26	0.04
CME 5-4	17.35	20.85	0.04	
CME 10-1	22.66	26.16	0.04	

CME non-self-priming pumps

Stainless steel (I = EN 1.4301/AISI 304 and G = EN 1.4401/AISI 316)

CME non-self-priming pumps Stainless steel (I = EN 1.4301/AISI 304 and G = EN 1.4401/AISI 316)	Pump type	Net weight [kg]	Gross weight [kg]	Shipping volume [m ³]
	CME 1-2	14.31	17.81	0.08
	CME 1-3	14.39	17.89	0.08
	CME 1-4	14.72	18.22	0.08
	CME 1-5	15.77	19.27	0.08
	CME 1-6	16.37	19.87	0.08
	CME 1-7	16.45	19.95	0.08
	CME 1-8	17.05	20.55	0.08
	CME 1-9	18.61	22.11	0.08
	CME 3-2	14.31	17.81	0.08
	CME 3-3	15.09	18.59	0.08
	CME 3-4	15.42	18.92	0.08
	CME 3-5	15.77	19.27	0.08
	CME 3-6	17.86	21.36	0.08
	CME 3-7	17.93	21.43	0.08
	CME 3-8	19.93	23.43	0.08
	CME 3-9	20.01	23.51	0.08
	CME 5-2	14.98	18.48	0.08
	CME 5-3	15.06	18.56	0.08
	CME 5-4	16.88	20.38	0.08
	CME 5-5	18.63	22.13	0.08
	CME 5-6	19.23	22.73	0.08
	CME 5-7	29.29	32.79	0.09
	CME 5-8	29.88	33.38	0.09
	CME 10-1	18.95	22.45	0.08
	CME 10-2	22.09	25.59	0.08
	CME 10-3	35.73	39.23	0.09
	CME 10-4	45.87	49.37	0.09
	CME 10-5	47.27	50.77	0.09
	CME 15-1	21.78	25.28	0.08
	CME 15-2	35.41	38.91	0.09
	CME 15-3	52.88	56.38	0.09
	CME 25-1	31.99	35.49	0.09
	CME 25-2	52.20	55.70	0.09
	CME 1-2	13.51	17.01	0.04
	CME 1-3	13.59	17.09	0.04
	CME 1-4	13.92	17.42	0.04
	CME 1-5	14.97	18.47	0.04
	CME 1-6	15.57	19.07	0.04
	CME 1-7	15.65	19.15	0.04
	CME 1-8	16.25	19.75	0.04
	CME 1-9	17.81	21.31	0.04
	CME 3-2	13.51	17.01	0.04
	CME 3-3	14.29	17.79	0.04
	CME 3-4	14.62	18.12	0.04
	CME 3-5	14.97	18.47	0.04
	CME 3-6	17.06	20.56	0.04
	CME 3-7	17.14	20.64	0.04
	CME 5-2	14.18	17.68	0.04
	CME 5-3	14.26	17.76	0.04
	CME 5-4	16.08	19.58	0.04
	CME 10-1	18.06	21.56	0.04

3 x 380-500 V, 50/60 Hz (supply voltage S)
3 x 440-480 V, 50/60 Hz (supply voltage T)

1 x 200-240 V, 50/60 Hz (supply voltage U)

26. Motor data

Mains-operated motors, 50 Hz

1 x 220-240 V, 50 Hz (supply voltage C)

Frame size	P ₂ [kW]	I _{1/1} [A]	Cos φ _{1/1}	η [%]	I _{start} [A]	Speed [min ⁻¹]
71A	0.3	1.8 - 2.4	0.95 - 0.86	67.4 - 61.4	6.1 - 8.2	2.800 - 2.830
71B	0.5	3.1 - 2.8	0.97 - 0.99	74-70	16.4 - 14.8	2.730 - 2.740
80A	0.67	4.4 - 4.0	0.99 - 0.99	71.8 - 73	17.2 - 15.6	2.720 - 2.800
80B	0.9	5.4 - 5.0	0.98 - 0.98	76-74	23.2 - 21.5	2.750 - 2.790
90SA	1.3	8.4 - 8.0	0.98 - 0.98	71-71	28.6 - 27.2	2.710 - 2.710
90SB	1.9	11.0 - 10.0	0.99 - 0.98	75-76	40.7 - 37.0	2.755 - 2.770

3 x 220-240/380-415 V, 50 Hz (supply voltage F)

Frame size	P ₂ [kW]	I _{1/1} [A]	Cos φ _{1/1}	η [%]	I _{start} [A]	Speed [min ⁻¹]
71A	0.46	2.0 - 2.2 / 1.0 - 1.2	0.83 - 0.75	73.4 - 73.6	9.8 - 11.7 / 4.9 - 6.4	2.770 - 2.820
71B	0.65	2.8 - 3.1 / 1.6 - 1.8	0.82 - 0.72	73.9 - 72.9	16.2 - 19.2 / 9.3 - 11.2	2.770 - 2.820
80C	1.10	4.4 - 4.5 / 2.55 - 2.6	0.82 - 0.74	83.1 - 83.4	31.7 - 35.1 / 18.4 - 20.3	2.830 - 2.860
90SB	1.50	5.45 - 5.45 / 3.15 - 3.15	0.87 - 0.82	84.2 - 84.9	46.3 - 50.7 / 26.8 - 29.3	2.890 - 2.910
90LC	2.20	7.70 - 7.70 / 4.45 - 4.45	0.89 - 0.87	85.9 - 85.9	65.5 - 73.2 / 37.8 - 42.3	2.890 - 2.910
100LC	3.00	11.0 - 11.0 / 6.30 - 6.30	0.87 - 0.82	87.2 - 87.1	92.4 - 101.2 / 52.9 - 58.0	2.900 - 2.920
112MC	4.00	13.8 - 13.2 / 8.00 - 7.65	0.89 - 0.86	89.2 - 89.2	154.6 - 162.4 / 89.6 - 94.1	2.920 - 2.940
132SC	5.50	19.0 - 19.0 / 11.0 - 11.0	0.87 - 0.82	89.9 - 90.2	212.8 - 243.2 / 123.2 - 140.8	2.920 - 2.940
132SD	6.40	22.8 - 22.6 / 13.2 - 13.0	0.86 - 0.80	89.9 - 90.0	273.6 - NA / 158.4 - NA	2.920 - 2.930

Mains-operated motors, 60 Hz

1 x 220 V, 60 Hz (supply voltage A)

Frame size	P ₂		Service factor	I _{1/1} [A]	Service factor current	Cos φ _{1/1}	η [%]	I _{start} [A]	Speed [min ⁻¹]
	[kW]	[hp]							
71B	0.60	0.80	1	4.1	4.1	0.98	71	16.8	3.300
80A	0.84	1.1	1	5.8	5.8	0.98	69.8	18.6	3.150
80B	1.14	1.5	1	7.35	7.35	0.99	73.5	19.8	3.270
90SB	1.54	2.0	1	9.8	9.8	0.98	74.8	37.2	3.330

1 x 115/230 V, 60 Hz (supply voltage B)

Frame size	P ₂		Service factor	I _{1/1} [A]	Service factor current	Cos φ _{1/1}	η [%]	I _{start} [A]	Speed [min ⁻¹]
	[kW]	[hp]							
71BA	0.60	0.8	1	7.6 / 3.9	7.6 / 3.9	0.76	69-66	19.8 / 10.1	3.240
80AA	0.78	1.06	1	10.6 / 5.4	10.6 / 5.4	0.65	69-68	31.8 / 16.2	3.240
80BA	1.10	1.50	1	14.0 / 7.0	14.0 / 7.0	0.94	71-69	44.8 / 22.4	3.320
90CC	1.50	2.03	1	19.5 / 9.8	19.5 / 9.8	0.97	72.9 - 69	78.0 / 39.2	3.360

3 x 208-230/440-480 V, 60 Hz (supply voltage E)

Frame size	P ₂		Service factor	I _{1/1} [A]	Service factor current	Cos φ _{1/1}	η [%]	I _{start} [A]	Speed [min ⁻¹]
	[kW]	[hp]							
71AA	0.43	0.58	1	1.9 - 1.7 / 1.0 - 0.8	1.9 - 1.7 / 1.0 - 0.8	0.85 - 0.81 / 0.85 - 0.81	76.0 - 78.6	11.2 - 11.1 / 5.9 - 5.2	3.360 - 3.420
71BA	0.74	1.0	1	3.4 - 3.6 / 1.7 - 1.8	3.4 - 3.6 / 1.7 - 1.8	0.89 - 0.83 / 0.89 - 0.83	76.0 - 78.4	20.1 - 23.4 / 10.0 - 11.7	3.220 - 3.370
80CB	1.1	1.47	1	5.2 - 5.1 / 2.55 - 2.65	5.2 - 5.1 / 2.55 - 2.65	0.81 - 0.73 / 0.81 - 0.73	84.8 - 84.7	35.4 - 39.3 / 17.3 - 20.4	3.430 - 3.470
90FA	2.2	2.95	1	8.20 - 7.7 / 4.0 - 3.7	8.20 - 7.7 / 4.0 - 3.7	0.9 - 0.86 / 0.9 - 0.86	86.5 - 87.0	74.6 - 80.9 / 36.4 - 38.9	3.510 - 3.530
100DA	2.9	3.9	1	10.8 - 10.5 / 5.25 - 5.3	10.8 - 10.5 / 5.25 - 5.3	0.85 - 0.78 / 0.85 - 0.78	88.0 - 88.2	129.6 - 91.4 / 63.0 - 46.1	3.520 - 3.530
112CA	4.0	5.36	1	14.6 - 13.6 / 6.95 - 6.65	14.6 - 13.6 / 6.95 - 6.65	0.9 - 0.86 / 0.9 - 0.86	88.6 - 88.5	131.4 - 156.4 / 62.6 - 76.5	3.530 - 3.540
132DA	5.5	7.37	1	20.4 - 19.8 / 9.95 - 9.85	20.4 - 19.8 / 9.95 - 9.85	0.84 - 0.78 / 0.84 - 0.78	90.1 - 90.0	259.1 - 277.2 / 126.4 - 137.9	3.540 - 3.550
132EB	6.4	8.57	1	23.6 - 22.8 / 11.6 - 11.6	23.6 - 22.8 / 11.6 - 11.6	0.84 - 0.78 / 0.84 - 0.78	90.1 - 89.9	144.0 - 143.6 / 70.8 - 73.1	3.530 - 3.550

3 x 575 V, 60 Hz (supply voltage H)*

Frame size	P ₂		Service factor	I _{1/1} [A]	Service factor current	Cos φ _{1/1}	η [%]	I _{start} [A]	Speed [min ⁻¹]
	[kW]	[hp]							
71AA	0.43	0.58	1	0.7	0.7	0.84	76.0	4.6	3.340
71BA	0.74	1.0	1	1.3	1.3	0.84	76	8.5	3.340
80BA	1.04	1.4	1	1.55	1.55	0.8	85.2	11.8	3.450
80CB	1.28	1.7	1	1.84	1.84	0.82	85.7	15.3	3.440
90CC	1.7	2.3	1	2.89	2.89	0.83	85.9	27.7	3.440
90FA	2.5	3.4	1	3.5	3.5	0.9	85.9	20.7	3.490
100BB	4.0	5.4	1	5.7	5.7	0.88	88.5	49.6	3.500
132CA	6	8	1	8.2	8.2	0.86	89.2	106.6	3.520

* Only available with IE2 efficiency motors.

Mains-operated motors, 50/60 Hz

3 x 220-240/380-415 V, 50 Hz; 3 x 220-255/380-440 V, 60 Hz (supply voltage O)

Frame size	P ₂ [kW]	Frequency [Hz]	I _{1/1} [A]	Cos φ _{1/1}	η [%]	I _{start} [A]	Speed [min ⁻¹]
71B	0.43	50	2.3 - 2.6 / 1.3 - 1.5	0.72 - 0.60	78-76	11.5 - 15.6 / 6.5 - 9.0	2.870 - 2.890
	0.74	60	3.1 - 2.75 / 1.78 - 1.58	0.87 - 0.84	75-77	15.5 - 16.5 / 8.9 - 9.5	3.280 - 3.350
80C	0.64	50	3.75 - 4.75 / 2.16 - 2.75	0.56 - 0.43	83.1 - 78.6	36.0 - 42.8 / 20.7 - 24.8	2.920 - 2.930
	1.1	60	4.30 - 4.25 / 2.48 - 2.44	0.83 - 0.72	84.6 - 85.4	28.4 - 33.2 / 16.4 - 19.0	3.420 - 3.470
90LC	1.27	50	5.9 - 6.95 / 3.40 - 4.0	0.70 - 0.55	85.4 - 83.4	85.6 - 95.9 / 49.3 - 55.2	2.960 - 2.970
	2.2	60	7.95 - 7.55 / 4.60 - 4.35	0.88 - 0.84	86.8 - 87.0	71.6 - 90.6 / 41.4 - 52.2	3.520 - 3.530
100LC	1.68	50	7.0 - 7.90 / 4.05 - 4.55	0.73 - 0.62	88.1 - 86.2	98.0 - 110.6 / 56.7 - 63.7	2.950 - 2.960
	2.90	60	10.2 - 9.10 / 5.85 - 5.25	0.90 - 0.85	86.9 - 88.5	88.7 - 88.3 / 50.9 - 50.9	3.490 - 3.520
112MC	2.3	50	9.95 - 10.6 / 5.75 - 6.1	0.73 - 0.63	88.4 - 86.7	159.2 - 173.8 / 92.0 - 100.0	2.970 - 2.970
	4	60	14.0 - 12.8 / 8.05 - 7.35	0.89 - 0.84	89.1 - 89.7	147.0 - 169.0 / 84.5 - 97.0	3.520 - 3.540
132SC	3.18	50	12.4 - 13.0 / 7.20 - 7.45	0.78 - 0.69	90.0 - 89.2	213.3 - 236.6 / 123.8 - 135.6	2.960 - 2.960
	5.5	60	19.0 - 16.8 / 11.0 - 9.75	0.91 - 0.86	89.5 - 90.4	201.4 - 231.0 / 116.6 - 134.1	3.510 - 3.530
132SD	3.7	50	16.4 - 18.4 / 9.45 - 10.6	0.69 - 0.57	89.6 - 87.8	272.2 - 311.0 / 156.9 - 179.1	2.960 - 2.970
	6.4	60	22.2 - 20.4 / 12.8 - 11.8	0.89 - 0.82	90.0 - 90.2	217.6 - 265.2 / 125.4 - 153.4	3.510 - 3.540

3 x 380-415 V, 50 Hz; 3 x 440-480 V, 60 Hz (supply voltage J)

Frame size	P ₂ [kW]	Frequency [Hz]	I _{1/1} [A]	Cos φ _{1/1}	η [%]	I _{start} [A]	Speed [min ⁻¹]
71AA	0.25	50	0.55 - 0.65	0.77 - 0.71	77-76	4.0 - 5.1	2.870 - 2.890
	0.43	60	0.95 - 0.80	0.85 - 0.82	76.0 - 78.6	5.6 - 5.2	3.360 - 3.420
71BA	0.43	50	1.4 - 1.5	0.76 - 0.66	77-76	7.7 - 9.0	2.860 - 2.890
	0.74	60	1.7 - 1.8	0.89 - 0.83	76.0 - 78.4	10.0 - 11.7	3.220 - 3.380
80CB	0.64	50	1.82 - 1.98	0.67 - 0.56	84.2 - 83.1	16.9 - 19.2	2.910 - 2.920
	1.10	60	2.22 - 2.22	0.8 - 0.72	84.9 - 85.4	16.7 - 19.3	3.440 - 3.470
90FA	1.27	50	2.85 - 2.9	0.81 - 0.74	86.7 - 86	34.2 - 37.7	2.950 - 2.960
	2.2	60	4.0 - 3.7	0.88 - 0.84	86.8 - 87.0	36.0 - 40.7	3.520 - 3.530
100DA	1.68	50	4.05 - 4.60	0.73 - 0.62	88.1 - 86.2	48.6 - 62.1	2.950 - 2.960
	2.9	60	5.25 - 5.3	0.85 - 0.79	88.5 - 88.2	63.0 - 46.1	3.520 - 3.540
112CA	2.3	50	5.2 - 5.1	0.8 - 0.74	86.4 - 88.8	80.6 - 78.3	2.960 - 2.970
	4.0	60	6.95 - 6.65	0.88 - 0.84	88.7 - 88.5	84.1 - 89.1	3.540 - 3.550
132DA	3.18	50	7.2 - 7.45	0.78 - 0.69	90.0 - 89.2	123.8 - 135.6	2.960 - 2.960
	5.5	60	9.7 - 9.45	0.86 - 0.82	90.4 - 90.4	133.4 - 145.5	3.530 - 3.550
132EB	3.7	50	9.45 - 10.6	0.69 - 0.57	89.6 - 87.8	156.9 - 179.1	2.960 - 2.970
	6.4	60	11.8 - 12.0	0.82 - 0.74	90.6 - 90.2	153.4 - 174.0	3.540 - 3.550

3 x 200/346 V, 50 Hz; 3 x 200-220/346-380 V, 60 Hz (supply voltage G)

Frame size	P ₂ [kW]	Frequency [Hz]	I _{1/1} [A]	Cos φ _{1/1}	η [%]	I _{start} [A]	Speed [min ⁻¹]
71AA	0.25	50	1.6 / 1.0	0.65	77	11.7 / 7.3	2.900
	0.43	60	2.0 - 1.8 / 1.15 - 1.05	0.85 - 0.8	76.0 - 78.6	11.8 - 11.7 / 6.8 - 6.8	3.370 - 3.424
71B	0.43	50	3.6 / 2.0	0.53	77	19.8 / 11.0	2.904
	0.74	60	3.3 - 3.5 / 2.0 - 2.2	0.83 - 0.76	76 - 78.4	19.5 - 22.8 / 11.8 - 14.3	3.380 - 3.429
80C	0.74	50	5.95 / 3.45	0.46	78.1	37.5 / 21.7	2.920
	1.28	60	5.5 - 5.65 / 3.15 - 3.25	0.80 - 0.71	84.4 - 84.3	34.4 - 37.9 / 19.7 - 21.8	3.410 - 3.450
90LC	1.27	50	6.75 / 3.9	0.69	86.0	99.9 / 57.7	2.960
	2.2	60	8.85 - 8.35 / 5.1 - 4.8	0.88 - 0.85	86.8 - 87.0	92.9 - 100.2 / 53.6 - 57.6	3.510 - 3.520
100LC	1.68	50	7.45 / 4.30	0.73	88.1	59.6 / 34.4	2.950
	2.90	60	10.8 - 10.4 / 6.25 - 6.0	0.91 - 0.87	86.9 - 88.1	81.0 - 96.7 / 46.9 - 55.8	3.490 - 3.510
112MC	2.3	50	10.2 / 5.9	0.77	87.3	157.1 / 90.9	2.960
	4	60	14.6 - 13.6 / 8.45 - 7.85	0.90 - 0.87	88.6 - 89.1	135.8 - 148.9 / 78.6 - 86.0	3.520 - 3.540
132SC	3.18	50	13.6 / 7.85	0.78	90.0	152.3 / 87.9	2.960
	5.5	60	21.0 - 20.0 / 12.1 - 11.6	0.91 - 0.88	89.5 - 90.1	214.2 - 296.0 / 123.4 - 171.7	3.510 - 3.520
132SD	3.7	50	20.0 / 11.6	0.63	88.8	240.0 / 139.2	2.970
	6.4	60	24.6 - 23.6 / 14.2 - 13.8	0.87 - 0.82	90.1 - 90.6	270.6 - 290.3 / 156.2 - 169.7	3.520 - 3.520

3 x 400 V, 50/60 Hz (supply voltage I)*

Frame size	P ₂ [kW]	Frequency [Hz]	I _{1/1} [A]	Cos φ _{1/1}	η [%]	I _{start} [A]	Speed [min ⁻¹]
71AA	0.25	50	0.73	0.68	72.6	4.7	2.890
	0.43	60	1.0	0.86	73.5	6.5	3.320
71BA	0.43	50	1.68	0.53	71.1	10.9	2.890
	0.74	60	1.70	0.84	76.0	11.1	3.320
80BA	0.6	50	1.9	0.59	81.6	13.5	2.910
	1.04	60	2.18	0.83	83	13.5	3.400
80CB	0.74	50	2.28	0.57	82.4	13.9	2.920
	1.28	60	2.65	0.84	83.9	13.8	3.400
90CC	1	50	3	0.59	81.3	26.7	2.960
	1.7	60	3.2	0.87	81.3	23.7	3.510
90FA	1.45	50	3.0	0.83	86.8	36.0	2.920
	2.5	60	4.65	0.91	85.4	41.9	3.500
100BB	2.32	50	5.5	0.7	87	63.3	2.960
	4	60	7.35	0.89	87.6	63.2	3.500
132CA	3.5	50	8.8	0.65	88.2	145.2	2.960
	6	60	11.2	0.87	90	172.9	3.520

* Only available with IE2 efficiency motors.

Speed-controlled motors

3 x 380-500 V, 50/60 Hz (supply voltage S)

Frame size	P ₂ [kW]	I _{1/1} [A]	Cos φ _{1/1}
71	0.55	1.30 - 1.10	0.83 - 0.72
80	1.10	2.15 - 1.80	0.91 - 0.82
90	1.50	2.90 - 2.40	0.92 - 0.84
90	2.20	4.15 - 3.40	0.93 - 0.87
100	3.00	5.80 - 4.80	0.91 - 0.86
112	4.00	7.60 - 6.20	0.92 - 0.87
112	5.50	10.30 - 8.20	0.92 - 0.88
132	7.50	14.10 - 11.20	0.93 - 0.89

3 x 440-480 V, 50/60 Hz (supply voltage T)

Frame size	P ₂		Service factor	I _{1/1} [A]	Service factor current [A]	Cos φ _{1/1}
	[kW]	[hp]				
71	0.55	0.75	1.25	1.20	1.50	0.76
80	1.10	1.50	1.15	1.90	2.10	0.85
90	1.50	2.00	1.15	2.60	2.90	0.87
90	2.20	3.00	1.15	3.70	4.25	0.89
112	3.70	5.00	1.15	6.20 - 5.80	7.00 - 6.60	0.90 - 0.88
112	5.50	7.50	1.15	9.10 - 8.50	10.4 - 9.70	0.91 - 0.89
132	7.50	10.00	1.15	12.4 - 11.5	14.2 - 13.0	0.91 - 0.90

1 x 200-240 V, 50/60 Hz (supply voltage U)

Frame size	P ₂		Service factor	I _{1/1} [A]	Service factor current [A]	Cos φ _{1/1}
	[kW]	[hp]				
71A	0.55	0.75	1	3.40 - 2.90	3.40 - 2.90	0.98
80B	1.1	1.5	1	6.55 - 5.45	6.55 - 5.45	0.99
90C	1.5	2	1	8.90 - 7.45	8.90 - 7.45	0.99

3 x 208-230 V, 50/60 Hz (supply voltage Q)

Frame size	P ₂ [kW]	I _{1/1} [A]	Cos φ _{1/1}
90CC	1.50	5.60 - 5.10	0.95 - 0.95
90SB	1.50	5.60 - 5.10	0.95 - 0.95
90LC	2.20	8.3 - 7.6	0.95 - 0.90
90FA	2.20	8.3 - 7.6	0.95 - 0.90
112MC	4.0	13.4 - 12.8	0.94 - 0.9
132SC	5.5	19.7 - 18.1	0.94 - 0.92

3 x 200-230 V, 50/60 Hz (supply voltage R)

Frame size	P ₂ [kW]	I _{1/1} [A]	Cos φ _{1/1}
90SB	1.50	5.60 - 5.10	0.95 - 0.95
90LC	2.20	8.3 - 7.6	0.95 - 0.90
112MC	4.0	13.4 - 12.8	0.94 - 0.9
132SC	5.5	19.7 - 18.1	0.94 - 0.92

Additional data for speed-controlled motors

Single-phase supply voltage

1 x 200-240 V, 50/60 Hz (supply voltage U)

Recommended fuse size

Motor size [kW]	Min. [A]	Max. [A]
0.12 - 0.75	6	10
1.1 - 1.5	10	16

You can use standard as well as quick-blow or slow-blow fuses.

Leakage current

Earth leakage current less than 3.5 mA, AC.

Earth leakage current less than 10 mA, DC.

The leakage currents are measured in accordance with EN 61800-5-1:2007.

Three-phase supply voltage

3 x 380-500 V, 50/60 Hz (supply voltage S)

3 x 440-480 V, 50/60 Hz (supply voltage T)

Recommended fuse size

Motor size [kW]	Min. [A]	Max. [A]
0.12 - 1.1	6	6
1.5	6	10
2.2	6	16
3	10	16
4	13	16
5.5	16	32
7.5	20	32
11	32	32

You can use standard as well as quick-blow or slow-blow fuses.

Leakage current, AC

Speed [min ⁻¹]	Power [kW]	Mains voltage [V]	Leakage current [mA]
2900-4000	0.25 - 2.2	≤ 400	< 3.5
		> 400	< 5
	3 - 5.5	≤ 400	< 3.5
		> 400	< 3.5
	7.5 - 11	≤ 400	< 3.5
		> 400	< 5
4000-5900	0.25 - 2.2	≤ 400	< 3.5
		> 400	< 5
	3 - 5.5	≤ 400	< 3.5
		> 400	< 3.5
	7.5 - 11	≤ 400	< 3.5
		> 400	< 5

The leakage currents are measured in accordance with EN 61800-5-1:2007.

Inputs and outputs

Earth reference, GND

All voltages refer to GND.

All currents return to GND.

Absolute maximum voltage and current limits

Exceeding the following electrical limits may result in severely reduced operating reliability and motor life:

Relay 1:

Maximum contact load: 250 VAC, 2 A or 30 VDC, 2 A.

Relay 2:

Maximum contact load: 30 VDC, 2 A.

GENI terminals: -5.5 to 9.0 VDC or less than 25 mADC.

Other input or output terminals: -0.5 to 26 VDC or less than 15 mADC.

Digital inputs, DI

Internal pull-up current greater than 10 mA at V_i equal to 0 VDC.

Internal pull-up to 5 VDC (currentless for V_i greater than 5 VDC).

Low logic level: V_i less than 1.5 VDC.

High logic level: V_i greater than 3.0 VDC.

Hysteresis: No.

Screened cable: 0.5 - 1.5 mm², 28-16 AWG.

Maximum cable length: 500 m.

Open-collector digital outputs, OC

Current sinking capability: 75 mADC, no current sourcing.

Load types: Resistive or/and inductive.

Low-state output voltage at 75 mADC: Maximum 1.2 VDC.

Low-state output voltage at 10 mADC: Maximum 0.6 VDC.

Overcurrent protection: Yes.

Screened cable: 0.5 - 1.5 mm², 28-16 AWG.

Maximum cable length: 500 m.

Analog inputs, AI

Voltage signal ranges:

- 0.5 - 3.5 VDC, AL AU.
- 0-5 VDC, AU.
- 0-10 VDC, AU.

Voltage signal: R_i greater than 100 k Ω at 25 °C.

Leak currents may occur at high operating temperatures. Keep the source impedance low.

Current signal ranges:

- 0-20 mADC, AU.
- 4-20 mADC, AL AU.

Current signal: R_i equal to 292 Ω .

Current overload protection: Yes. Change to voltage signal.

Measurement tolerance: - 0/+ 3 % of full scale (maximum-point coverage).

Screened cable: 0.5 - 1.5 mm², 28-16 AWG.

Maximum cable length: 500 m (excl. potentiometer).

Potentiometer connected to +5 V, GND, any AI:

Use maximum 10 k Ω .

Maximum cable length: 100 m.

Analog output, AO

Current sourcing capability only.

Voltage signal:

- Range: 0-10 VDC.
- Minimum load between AO and GND: 1 k Ω .
- Short-circuit protection: Yes.

Current signal:

- Ranges: 0-20 and 4-20 mADC.
- Maximum load between AO and GND: 500 Ω .
- Open-circuit protection: Yes.

Tolerance: - 0/+ 4 % of full scale (maximum-point coverage).

Screened cable: 0.5 - 1.5 mm², 28-16 AWG.

Maximum cable length: 500 m.

Pt100/1000 inputs, PT

Temperature range:

- Minimum -30 °C. 88 Ω / 882 Ω .
- Maximum 180 °C. 168 Ω / 1685 Ω .

Measurement tolerance: \pm 1.5 °C.

Measurement resolution: < 0.3 °C.

Automatic range detection, Pt100 or Pt1000: Yes.

Sensor fault alarm: Yes.

Screened cable: 0.5 - 1.5 mm², 28-16 AWG.

Use Pt100 for short wires.

Use Pt1000 for long wires.

LiqTec sensor inputs*

Use Grundfos LiqTec sensor only.

Screened cable: 0.5 - 1.5 mm², 28-16 AWG.

Grundfos Digital Sensor input and output, GDS*

Use Grundfos Digital Sensor only.

* Only applicable for TPE, TPED Series 2000 and TPE3, TPE3 D pumps.

Power supplies**+5 V:**

- Output voltage: 5 VDC - 5 %/+ 5 %.
- Maximum current: 50 mADC, sourcing only.
- Overload protection: Yes.

+24 V:

- Output voltage: 24 VDC - 5 %/+ 5 %.
- Maximum current: 60 mADC, sourcing only.
- Overload protection: Yes.

Digital outputs, relays

Potential-free changeover contacts.

Minimum contact load when in use: 5 VDC, 10 mA.

Screened cable: 0.5 - 2.5 mm², 28-12 AWG.

Maximum cable length: 500 m.

Bus input

Grundfos GENIbus protocol, RS-485.

Screened 3-core cable: 0.5 - 1.5 mm², 28-16 AWG.

Maximum cable length: 500 m.

EMC (electromagnetic compatibility)

Standard used: EN 61800-3.

The table below indicates the emission category of the motor.

C1: Fulfils the requirements for residential areas.

C3: Fulfils the requirements for industrial areas.

Motor [kW]	Emission category	
	1450-2000 min ⁻¹	2900-4000 min ⁻¹ 4000-5900 min ⁻¹
0.25	C1	C1
0.37	C1	C1
0.55	C1	C1
0.75	C1	C1
1.1	C1	C1
1.5	C1	C1
2.2	C1	C1
3	C1	C1
4	C1	C1
5.5	C3/C1*	C1
7.5	C3/C1*	C3/C1*
11	-	C3/C1*

* C1, if equipped with an external Grundfos EMC filter.

Immunity: Fulfils the requirements for industrial areas.

Contact Grundfos for further information.

Enclosure class

Standard: IP55 (IEC 34-5).

Optional: IP66 (IEC 34-5).

Insulation class

F (IEC 85).

Standby power consumption

5-10 W.

Cable entries

Motor [kW]	Number and size of cable entries	
	2900-4000 min ⁻¹	4000-5900 min ⁻¹
0.25 - 1.5	4 x M20	4 x M20
2.2	4 x M20	4 x M20
3-4	1 x M25 + 4 x M20	1 x M25 + 4 x M20
5.5	1 x M25 + 4 x M20	1 x M25 + 4 x M20
7.5 - 11	1 x M32 + 5 x M20	1 x M32 + 5 x M20

Cable glands delivered with the pump

Motor [kW]	Quantity	Thread size	Cable diameter [mm]
0.25 - 2.2	2	M20 x 1.5	5
	1		7-14
3 - 5.5	4	M20 x 1.5	5
	1		9-18
7.5 - 11	4	M20 x 1.5	5
	1		14-25

Torques

Terminal	Thread size	Maximum torque [Nm]
L1, L2, L3, L, N	M4	1.8
NC, C1, C2, NO	M2.5	0.5
1-26 and A, Y, B	M2	0.5

Sound pressure level

Motor [kW]	Maximum speed stated on nameplate [min ⁻¹]	Speed [min ⁻¹]	Sound pressure level ISO 3743 [dB(A)]	
			1-phase motors	3-phase motors
0.25 - 0.75	2000	1500	38	38
		2000	42	42
	4000	3000	53	53
		4000	58	58
	5900	4000	58	58
		5900	68	68
1.1	2000	1500		38
		2000		42
	4000	3000	53	53
		4000	58	58
	5900	4000	58	58
		5900	68	68

Motor [kW]	Maximum speed stated on nameplate [min ⁻¹]	Speed [min ⁻¹]	Sound pressure level ISO 3743 [dB(A)]	
			1-phase motors	3-phase motors
1.5	2000	1500		39
		2000		46
	4000	3000	57	57
		4000	64	64
	5900	4000	58	58
		5900	68	68
2.2	2000	1500		47
		2000		
	4000	3000		57
		4000		64
	5900	4000		58
		5900		68
3	2000	1500		48
		2000		54
	4000	3000		59
		4000		67
	5900	4000		63
		5900		73
4	2000	1500		48
		2000		55
	4000	3000		60
		4000		67
	5900	4000		63
		5900		73
5.5	2000	1500		54
		2000		60
	4000	3000		60
		4000		68
	5900	4000		63
		5900		73
7.5	2000	1500		55
		2000		61
	4000	3000		64
		4000		72
	5900	4000		68
		5900		79
11	4000	3000		65
		4000		73
	5900	4000		69
		5900		79

The grey fields indicate that the motor is not available in this MGE motor range.

27. Customisation

Although the Grundfos CM and CME product range offers a number of pumps for different applications, customers require specific pump solutions to satisfy their needs. Below are the options available for customising the CM and CME pumps.

Contact Grundfos for further information or for requests other than the ones mentioned below.

Motors

Motor with multiplug connection

Mains-operated motors fitted with a Harting® 10-pin multiplug connection, HAN 10 ES, enable easy connection to the mains.

Note: For CME pumps we offer the solutions shown on page 125.

The purpose of a multiplug connection is to facilitate the electrical installation and service of the pump. The multiplug functions as a plug-and-pump device.

Figure 36 shows the position of the multiplug on the mains-operated motor.

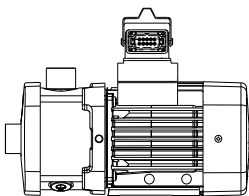
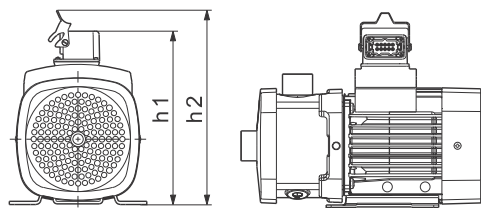


Fig. 36 Motor with multiplug connection



Fig. 37 Multiplug logo

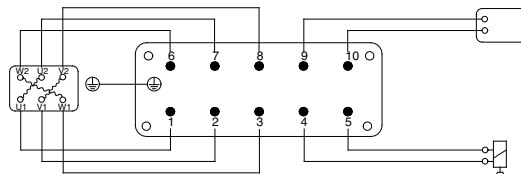
Dimensions



TM04 5847 4609

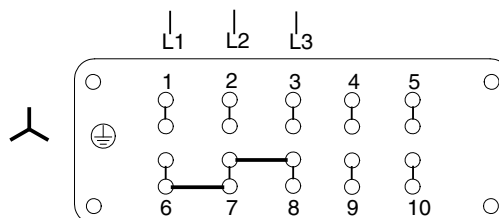
Pump type	Frame size	h1	h2
CM 1	71	206	237
CM 3	80	206	237
CM 5	90	263	294
	100	283	314
	71	231	262
	80	231	262
CM 10	90	273	304
CM 15	100	283	314
CM 25	112	309	340
	132	309	340

Plug connections



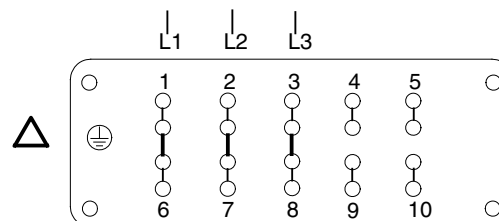
TM01 8702 0700

Fig. 38 Plug connection from motor



TM01 8703 0700

Fig. 39 Plug connection for star connection



TM01 8704 0700

Fig. 40 Plug connection for delta connection

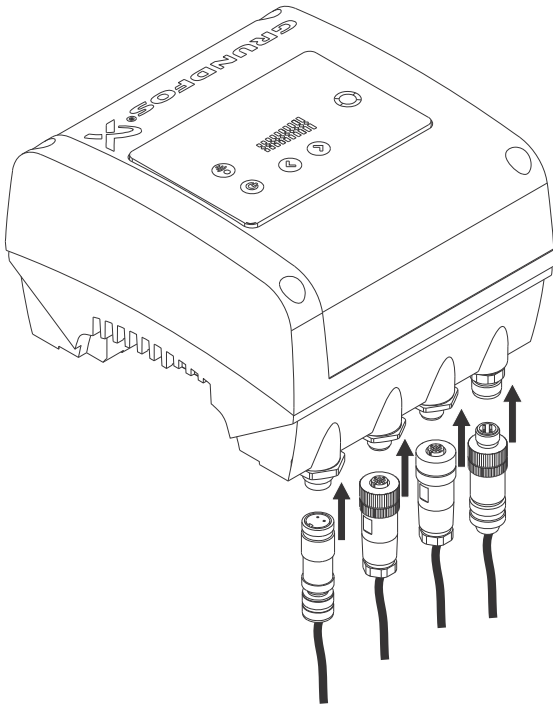
Note: Wire bridges for connections are located in the plug.

Plug-and-pump solution for CME pumps

To facilitate electrical installation and service, we offer plug-and-pump solutions for CME pumps. These customised solutions are only available on request. Please contact Grundfos.

CME pumps can be fitted with receptacles in the cable entries of the motor for fast cable connection. Simply plug and pump.

Figure 41 shows how the CME pumps are connected.



TM05 7677 1413

Fig. 41 Fast connection of CME pumps

Motor with anti-condensation heater

CM



Fig. 42 Mains-operated motor with anti-condensation heater

TM03 2440 4305

In applications where condensation in the motor may occur, we recommend that you install a motor with an anti-condensation heater on the stator coil ends. The heater keeps the motor temperature higher than the ambient temperature and prevents condensation.

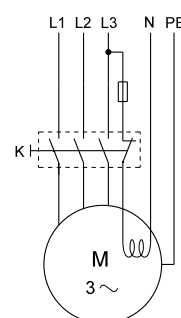
In areas with ambient temperatures below 0 °C, we recommend that you always use motors with anti-condensation heater.

High humidity may cause condensation in the motor. Slow condensation occurs as a result of a decreasing ambient temperature; rapid condensation occurs as a result of shock cooling caused by direct sunlight followed by rain.

Note: Rapid condensation is not to be confused with the phenomenon which occurs when the pressure inside the motor is lower than the atmospheric pressure. In such cases, moisture is sucked from the atmosphere into the motor through bearings, housings, etc.

In applications with constant humidity levels above 85 %, the drain holes in the drive-end flange must be open. This changes the enclosure class to IPX5. If IP55 protection is required due to operation in dusty environments, we recommend that you install a motor with anti-condensation heater.

Figure 43 shows a typical circuit of a three-phase motor with anti-condensation heater.



TM03 4058 1406

Fig. 43 Three-phase motor with anti-condensation heater

Legend

Symbol	Designation
K	Contactor
M	Motor

Note: Connect the anti-condensation heater to the power supply so that it is on when the motor is switched off.

The following motor sizes are available with anti-condensation heater:

Motors, 50/60 Hz	Power of heating unit [W]	
	1 x 24 V	1 x 190-250 V
Frame size		
71/80		23
90	38	31
100		38
112/132	2 x 38	2 x 38

CME

The MGE motors fitted to CME pumps incorporate a standstill heating function. No external heater on the stator coil is necessary.

The working principle is that AC voltage is applied to the motor windings. The applied AC voltage will not make the motor run, but will ensure that sufficient heat is generated to prevent condensation in the motor. The terminal box is kept warm and dry by the heat generated via the mains voltage connected. However, it is a condition that the terminal box is not exposed to open air. It must be provided with a suitable cover to protect it from rain and the drain plugs have to be removed to obtain ventilation in motor and terminal box. See *Operation in condensing environments*, on page 21.

Motors with PTC sensors



Fig. 44 PTC sensor incorporated in windings

Built-in PTC sensors (thermistors) protect the motor against overheating. Single-phase motors are protected against slow and rapid overheating. Three-phase motors are protected against slow overheating.

We offer built-in PTC sensors to protect the motor. Three-phase mains-operated motors with supply voltages F, G and O of 3 kW and up have PTC sensors as standard (UL-approved motors have no internal protection).

Note: PTC sensors must be connected to an external tripping unit connected to the control circuit.

Protection according to IEC 60034-11:

- slow and rapid overheating.

PTC sensors comply with DIN 44082. Maximum voltage at the terminals, $U_{max} = 2.5$ VDC. All tripping units available for DIN 44082 PTC sensors meet this requirement.

Figure 45 shows a typical circuit of a three-phase motor with PTC sensors.

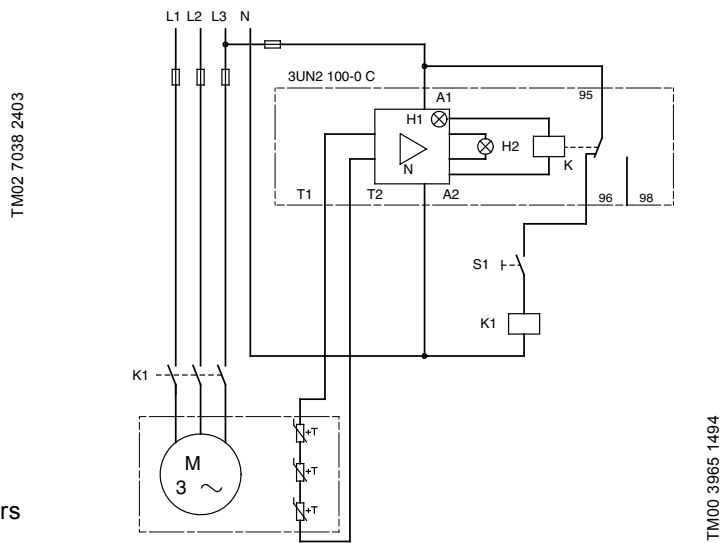


Fig. 45 Three-phase motor with PTC sensors

Legend

Symbol	Designation
S1	On/off switch
K1	Contactor
+T	PTC sensor (thermistor) in motor
M	Motor
3UN2 100-0 C	Tripping unit with automatic resetting
N	Amplifier
K	Output relay
H1	LED "Ready"
H2	LED "Tripped"
A1, A2	Connection for control voltage
T1, T2	Connection for PTC sensor loop

Motors with thermal switches (PTO)



Fig. 46 Thermal switch incorporated in windings

Built-in thermal switches protect the motor against overheating. Single-phase motors are protected against slow and rapid overheating. Three-phase motors are protected against slow overheating. We offer mains-operated motors with bimetallic thermal switches in the motor windings.

Three-phase mains-operated motors with supply voltages F, G and O are available with built-in thermal switches.

Note: Thermal switches must be connected to an external control circuit to protect the motor against slow overheating. The thermal switches require no tripping unit.

Protection according to IEC 60034-11:

- slow and rapid overheating.

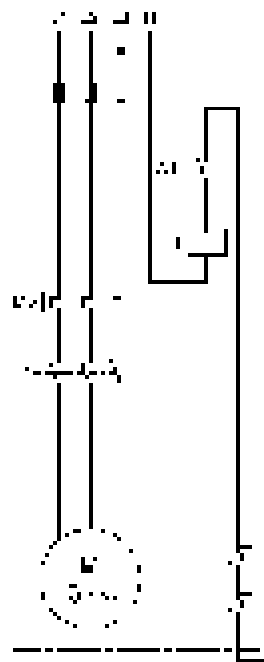
As protection against seizure, the motor must be connected to a motor-protective circuit breaker.

Thermal switches tolerate the following maximum loads:

U_{\max}	250 VAC
I_N	1.5 A
I_{\max}	5.0 A (locked-rotor and breaking current)

TM02 7042 2403

Figure 47 shows a typical circuit of a three-phase motor with built-in bimetallic thermal switches.



TM00 3964 1494

Fig. 47 Three-phase motor with thermal switches

Legend

Symbol	Designation
S1	On/off switch
K1	Contactor
t°	Thermal switch in motor
M	Motor
MV	Motor-protective circuit breaker

Undersize and oversize motors

The available motor sizes are shown in section *Motor data* on pages 116 to 120.

Undersize and oversize motors are defined as the next kW size below or above the fitted standard motor.

Note: The CM 1, 3 and 5 cannot be combined with frame sizes 112 and 132.

We recommend that you use an oversize motor if the operating conditions fall outside the standard conditions.

We especially recommend oversize motors in these cases:

- The pump is installed at an altitude of more than 1000 metres above sea level.
- The viscosity or density of the pumped liquid is higher than that of water.
- The ambient temperature exceeds 55 °C (CM).

We recommend that you use an undersize motor if the operating conditions do not at all reach the standard conditions.

We especially recommend undersize motors in these cases:

- The viscosity or density of the pumped liquid is lower than that of water.
- The duty point of the pump is constant, and the flow rate is significantly lower than the recommended maximum flow rate.

Terminal box positions

As standard the terminal box is mounted in 12 o'clock position as shown in fig. 48. CM pumps with motor frame sizes of 71 and 80 are available with other terminal box positions on special request.

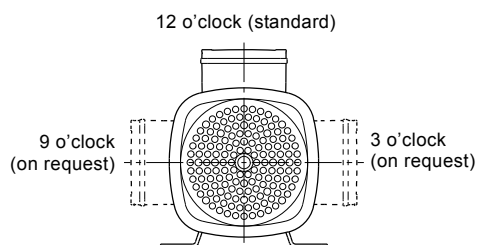


Fig. 48 Terminal box positions of frame sizes 71 and 80, as seen from fan cover side

Functional modules for CME pumps

CME pumps offer a number of advantages, depending on hardware combinations and software configuration of the motor. For example, various functional modules are available.

As standard, the CME pumps are fitted with the standard functional module. The basic or advanced module is available as a customised solution.

Basic functional module (FM 100)

The basic module has only the most necessary inputs for closed- and open-loop operation. The module also enables communication via a GENIbus connection.

The basic module has these connections:

- analog voltage input
- two digital inputs or one digital input and one open-collector output
- GENIbus connection.

Standard functional module (FM 200)

The standard module has more inputs and outputs than the basic module and is suitable for even more demanding applications.

The standard module has these connections:

- two analog inputs
- two digital inputs or one digital input and one open-collector output
- Grundfos Digital Sensor input and output
- two signal relay outputs
- GENIbus connection.

Advanced functional module (FM 300)

The advanced module has a number of inputs and outputs enabling the motor to be used in advanced applications where many inputs and outputs are required.

The advanced module has these connections:

- three analog inputs
- one analog output
- two dedicated digital inputs
- two configurable digital inputs or open-collector outputs
- Grundfos Digital Sensor input and output
- two Pt100/1000 inputs
- LiqTec sensor inputs
- two signal relay outputs
- GENIbus connection.

Pumps

Pumping of liquids down to -30 °C

We offer custom-built pumps for the pumping of liquids down to -30 °C. The pumps have an oversize neck ring ensuring that impellers do not seize up as a result of thermal expansion.

We offer the above solution for CM and CME in I and G versions (stainless steel).

Surface treatment

Cleaned and dried pumps

We recommend cleaned and dried pumps for use in applications involving strict demands on cleanliness and surface quality, such as low content of silicone. Prior to assembly, all pump parts are cleaned in 60 to 70 °C water with a cleaning agent. All pump parts are then thoroughly rinsed in de-ionised water and dried. The pump is assembled without any use of silicone lubricants.

Cleaned and dried pumps are not performance-tested.

Electropolished stainless-steel pumps

Electropolished pumps are often used in the pharmaceutical industry and in the food and beverage industry where materials and surface quality must meet strict requirements to hygiene or corrosion resistance.

Electropolishing removes burrs as well as metallic and non-metallic inclusions, providing a smooth, clean and corrosion-resistant stainless-steel surface.

First, all components are pickled in a mixture of nitric and hydrofluoric acid. Subsequently, the components are electropolished in a mixture of sulphuric and phosphoric acid. Finally, the components are passivated in nitric acid.

To meet the strict hygienic requirements to material and surface quality, we offer electropolished stainless-steel pumps with the following surface quality:

Surface quality: $R_a \leq 0.8 \mu\text{m}$.

Alternative colouring

We offer custom-built pumps in any NCS- or RAL-specified colour to suit your requirements!

The used paint is water-based. Painted parts correspond to corrosion class III.

All pump types and sizes are available with alternative colouring.

Customised nameplate

We offer additional customised nameplates attached to the pump:

- A nameplate supplied by you.
- A Grundfos nameplate customised in terms of a specific duty point.
- A Grundfos nameplate with a tag number.

Note: The Grundfos standard nameplate is always fitted to the pump.

Shaft seal arrangements

The shaft seal is developed with customisation in mind. Depending on media, you may combine the seal faces in any way.

Available stationary seal faces: Q, B, U.

Available rotating seal faces: Q, V, U.

Rubber: E, V and K.

Note: For further details about seal face material codes, see *Identification* on page *Identification*.

Alternative connection positions

The pump is available with various connection positions on special request. See fig. 49.

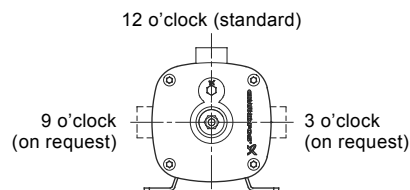


Fig. 49 Alternative connection positions as seen from pump inlet side

Note: On CM 1, 3 and 5 pumps fitted with motor frame sizes 71 and 80, the outlet can be positioned upon customer request without any issues. All other pump types cannot be factory tested if they are ordered with outlet positions that are not standard.

Alternative pipe connections

A wide range of pipe connections are available for the CM and CME pumps:

- Tri-Clamp®
- DIN, JIS, ANSI flange (combi flange)
- Victaulic® coupling
- Whitworth thread Rp
- internal NPT thread.

The available pipe connections are shown in fig. 50.



Fig. 50 Examples of pipe connections

28. Accessories

Pipework connections

Various sets of flanges and couplings are available for pipework connection.

Distance piece

The distance piece is intended for mounting on the outlet port in order to improve the accessibility when connecting the pump to the piping system. The distance piece is made of brass.

Distance piece	Pump type	Pipework connection	Pump thread	Product number
	CM 1 CM 3 CM 5 TM04 5800 4009	1"	R	96587201

Flange sets for CM(E) (DIN/ANSI/JIS)

All materials in contact with the pumped liquids are made of stainless steel EN 1.4408/AISI 316.

The pipe stub is made of stainless steel EN 1.4408/AISI 316 and the flange part is made of cast iron EN-GJL-200.

Flange	Pump type	Pipework connection	Pump thread	L* [mm]		Product number
				Flange mounted on pump inlet	Flange mounted on pump outlet	
	CM 1 CM 3 CM 5 TM04 3867 0309	DN 32	Rp	49.0	78.0	96904693
			NPT			96904705
			Rp			96904696
			NPT			96904708
	CM 10 TM04 3869 0309	DN 40	Rp	44.0	68.0	96904699
			NPT			96904711
	CM 15 CM 25 TM04 3868 0309	DN 50	Rp	48.0	68.0	96904702
			NPT			96904714

* Length from outer edge of flange to pump inlet or outlet port.

Note: Please pay attention to the compatibility between pump and flange before ordering. See tables below.

CM pumps compatible with DIN/ANSI/JIS flanges

Pump type	Material version	MG 71/80 1-ph	MG 71/80 3-ph	MG 90 1-ph	MG 90 3-ph	MG 100	MG 112
CM 1, 3, 5	Cast iron		•	•	•		
	Stainless steel	•	•		•	•	
CM 10, 15, 25	Cast iron	•	•	•	•	•	•
	Stainless steel	•	•	•	•	•	•

CME pumps compatible with DIN/ANSI/JIS flanges

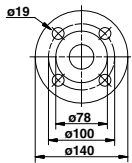
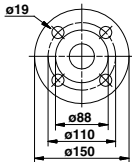
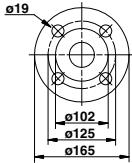
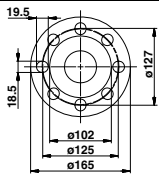
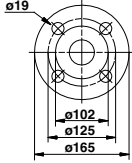
Pump type	Material version	Supply voltages Q, R			Supply voltages S, T, U	
		MGE 90S	MGE 90L	MGE 112/132	MGE 71/80	MGE 90
CME 1, 3, 5	Cast iron	• ^{*)}	•			
	Stainless steel		•			
CME 10, 15, 25	Cast iron		•	•	•	•
	Stainless steel		•	•	•	•

^{*)} Only 9 mm clearance between flange and terminal box.

Counter-flanges for CM(E)-A

Counter-flanges for CM(E)-A pumps are made of cast iron EN-GJL-200.

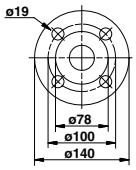
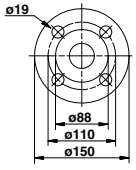
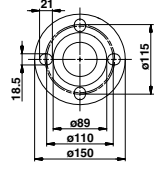
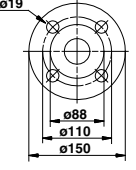
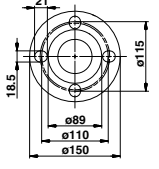
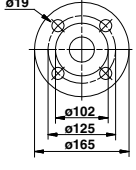
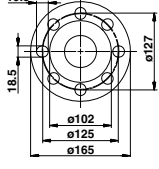
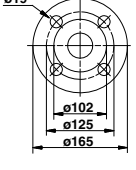
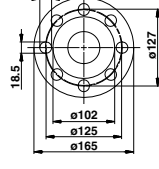
A counter-flange set consists of one counter-flange, one gasket, bolts and nuts.

Counter-flange	Pump type	Description	Rated pressure	Pipework connection	Product number
	TM03 0400 3705 CM(E) 1-A CM(E) 3-A CM(E) 5-A	Threaded	16 bar, EN 1092-2	Rp 1 1/4	00419901
		For welding	25 bar, EN 1092-2	32 mm, nominal	00419902
			TM03 0401 3705 CM(E) 10-A	Threaded	16 bar, EN 1092-2
Threaded	16 bar, EN 1092-2			Rp 2	00429904
For welding	25 bar, EN 1092-2			40 mm, nominal	00429901
For welding	40 bar, special flange			50 mm, nominal	00429903
	TM03 0402 3705	Threaded	16 bar, EN 1092-2	Rp 2	00339903
		Threaded	16 bar, special flange	Rp 2 1/2	00339904
	TM02 7203 2803 CM(E) 15-A CM(E) 25-A	Threaded	16 bar, special flange	Rp 2 1/2	96509578
			TM03 0402 3705	For welding	25 bar, EN 1092-2
For welding	40 bar, special flange			65 mm, nominal	00339902

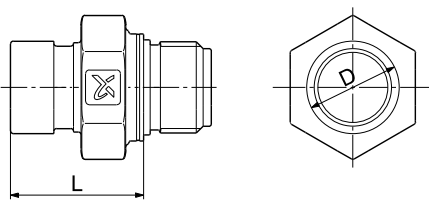
Counter-flanges for CM(E)-I/G

Counter-flanges for CM(E)-I/G pumps are made of stainless steel EN 1.4401/AISI 316.

A counter-flange set consists of one counter-flange, one gasket, bolts and nuts.

Counter-flange	Pump type	Description	Rated pressure	Pipework connection	Product number
	TM03 0400 3705	Threaded	16 bar, EN 1092-2	Rp 1 1/4	00415304
		For welding	25 bar, EN 1092-2	32 mm, nominal	00415305
	TM03 0401 3705	Threaded	16 bar, EN 1092-2	Rp 1 1/2	00425245
	TM02 7202 2803	Threaded	16 bar, EN 1092-2	Rp 2	96509570
	TM03 0401 3705	For welding	25 bar, EN 1092-2	40 mm, nominal	00425246
	TM02 7202 2803	For welding	25 bar, special flange	50 mm, nominal	96509571
	TM00 0402 3705	Threaded	16 bar, EN 1092-2	Rp 2	00335254
	TM02 7203 2803	Threaded	16 bar, special flange	Rp 2 1/2	96509575
		Threaded	16 bar, special flange	Rp 2 1/2	96509579
	TM03 0402 3705	For welding	25 bar, EN 1092-2	50 mm, nominal	00335255
	TM00 7203 2803	For welding	25 bar, special flange	65 mm, nominal	96509573

Victaulic® connections for CM(E)

Victaulic® connection	Pump type	Pump thread	D [mm]	L* [mm]	Product number
	CM 1	Rp	33.7	48.5	96904694
	CM 3	NPT			96904706
	CM 5	Rp	33.7 / 42.4	48.5	96904697
		NPT			96904709
	CM 10	Rp	48.3	48.5	96904700
		NPT			96904712
CM 15	Rp	60.3	50.1	96904703	
CM 25	NPT			96904715	

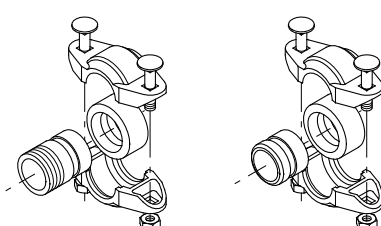
TM04 3865 0309

* Length from outer edge of connection to pump inlet or outlet port.

Coupling, pipe stub and gasket for Victaulic® connections

Parts in contact with the pumped liquid are made of stainless steel EN 1.4401/AISI 316, and rubber.

A Victaulic® coupling set consists of two coupling halves (Victaulic, type 77), one gasket, one pipe stub (for welding or threaded), bolts and nuts.

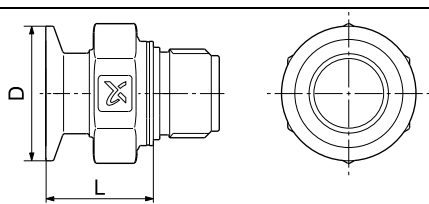
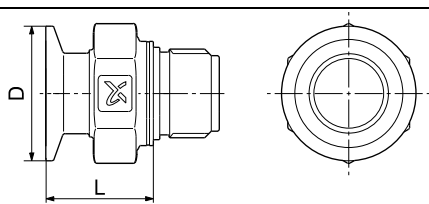
Coupling and pipe stub	Pump type	Pipe stub	Pipework connection	Rubber parts	Number of coupling sets required	Product number	
	CM(E) 1 CM(E) 3 CM(E) 5*	Threaded	R 1	EPDM	2	97575245	
				FKM	2	97575246	
		For welding	DN 25		EPDM	2	97575247
					FKM	2	97575248
	CM(E) 5**		Threaded	R 1 1/4	EPDM	1	00419911
					FKM	1	00419905
		For welding	DN 32		EPDM	1	00419912
					FKM	1	00419904
	CM(E) 10		Threaded	R 1 1/2	EPDM	2	97575249
					FKM	2	97575250
		For welding	DN 40		EPDM	2	97575251
					FKM	2	97575252
CM(E) 15 CM(E) 25		Threaded	R 2	EPDM	2	00339911	
				FKM	2	00339918	
	For welding	DN 50		EPDM	2	00339910	
				FKM	2	00339917	

TM00 3808 1094

* For outlet port. **Note:** Only one coupling set is required for the outlet port.

** For inlet port.

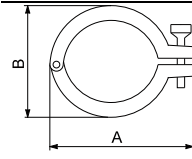
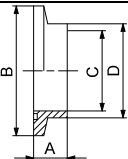
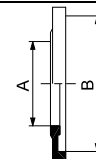
Tri-Clamp® connections for CM(E)

Tri-Clamp®		Pump type	Pump thread	D [mm]	L* [mm]	Product number
		CM 1	Rp	50.4	40.3	96904695
		CM 3	NPT			96904707
		CM 5	Rp	50.4	35.3	96904698
		CM 10	NPT			96904710
		CM 15	Rp	50.4	37.4	96904701
		CM 25	NPT			96904713
				63.9	37.4	96904704
						96904716

TM04 38866 0309

* Length from outer edge of Tri-Clamp® connection to pump inlet or outlet port.

Clamping ring, pipe stub and gasket for Tri-Clamp® connections

Clamping ring				Pipe stub				Gasket	
									
TM03 4645 2406				TM03 4646 2406				TM03 4647 2406	
Pump type	Nominal diameter [mm]	A [mm]	B [mm]	A [mm]	B [mm]	C [mm]	D [mm]	A [mm]	B [mm]
CM(E) 1, 3, 5, 10	38.0	92.0	59.5	21.5	50.5	35.6	38.6	35.3	50.5
CM(E) 15, 25	51.0	104.4	74.0	21.5	64.0	48.6	51.6	48.0	64.0

The clamping ring is made of stainless steel EN 1.4301/AISI 304.

The pipe stub is made of stainless steel EN 1.4401/AISI 316.

The gasket is made of PTFE or EPDM.

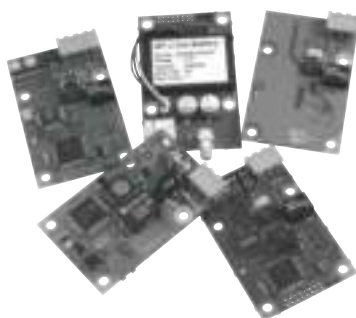
Pump type	Pipework connection	Connection material	Gasket	Pressure [bar]	Number of coupling sets required	Product number
CM(E) 1, 3, 5, 10	DN 32	Stainless steel	EPDM	16	2	96515374
			PTFE		2	96515375
EPDM	2		96515376			
PTFE	2		96515377			
CM(E) 15, 25	DN 50					

Potentiometer for CME

The potentiometer is for setpoint setting and start/stop of the CME pump.

Product	Product number
External potentiometer with cabinet for wall mounting	625468

Communication interface modules (CIM) for CME



TM05 7508 1113

Fig. 51 Grundfos CIM modules

A CIM module is an add-on communication interface module for MGE motors. The CIM module enables data transmission between the pump and an external system, for example a BMS (building management system) or SCADA system.

We offer the following CIM modules:

Description	Fieldbus protocol	Product number
CIM 050	GENIbus	96824631
CIM 100	LonWorks	96824797
CIM 150	PROFIBUS DP	96824793
CIM 200	Modbus RTU	96824796
CIM 250*	GSM/GPRS	96824795
CIM 270*	GRM	96898815
CIM 300	BACnet MS/TP	96893770
CIM 500	BACnet IP	
CIM 500	Modbus TCP	98301408
CIM 500	PROFINET	

* Antenna not included. See below.

Antennas for CIM 250 and 270

Description	Product number
Antenna for roof	97631956
Antenna for desk	97631957

Grundfos GO

Grundfos GO is used for wireless infrared or radio communication with the pumps.

Various Grundfos GO variants are available. The variants are described in the following.

MI 204

The MI 204 is an add-on module with built-in infrared and radio communication. The MI 204 can be used in conjunction with an Apple iPhone or iPod with Lightning connector, e.g. fifth generation iPhone or iPod.

(The MI 204 is also available together with an Apple iPod touch and a cover.)

MI 204



TM05 7704 1513

Fig. 52 MI 204

Supplied with the product:

- Grundfos 204
- sleeve
- quick guide
- charger cable.

MI 301

The MI 301 is a module with built-in infrared and radio communication. The MI 301 must be used in conjunction with an Android or iOS-based smart devices with a Bluetooth connection. The MI 301 has rechargeable Li-ion battery and must be charged separately.



TM05 3890 1712

Fig. 53 MI 301

Supplied with the product:

- Grundfos MI 301
- battery charger
- quick guide.

Product numbers

Grundfos GO Remote variant	Product number
Grundfos MI 204	98424092
Grundfos MI 204 including iPod touch	98612711
Grundfos MI 301	98046408

Sensors for CME

The sensors must be fitted to the pipework with suitable fittings.

Accessory	Type	Supplier	Measuring range	Product number
Flowmeter	SITRANS FM MAGFLO MAG 5100 W	Siemens	1-5 m ³ (DN 25)	ID8285
Flowmeter	SITRANS FM MAGFLO MAG 5100 W	Siemens	3-10 m ³ (DN 40)	ID8286
Flowmeter	SITRANS FM MAGFLO MAG 5100 W	Siemens	6-30 m ³ (DN 65)	ID8287
Flowmeter	SITRANS FM MAGFLO MAG 5100 W	Siemens	20-75 m ³ (DN 100)	ID8288
Temperature sensor	TTA (0) 25	Carlo Gavazzi	0-25 °C	96432591
Temperature sensor	TTA (-25) 25	Carlo Gavazzi	-25-25 °C	96430194
Temperature sensor	TTA (50) 100	Carlo Gavazzi	50-100 °C	96432592
Temperature sensor	TTA (0) 150	Carlo Gavazzi	0-150 °C	96430195
Accessory for temperature sensor. All with 1/2 RG connection.	Protecting tube ∅9 x 50 mm	Carlo Gavazzi		96430201
	Protecting tube ∅9 x 100 mm	Carlo Gavazzi		96430202
	Cutting ring bush	Carlo Gavazzi		96430203
Temperature sensor, ambient temperature	WR 52	tmg (Plesner)	-50-50 °C	ID8295
Differential-temperature sensor	ETSD	Honsberg	0-20 °C	96409362
Differential-temperature sensor	ETSD	Honsberg	0-50 °C	96409363

Note: All sensors have 4-20 mA signal output.

Danfoss pressure sensor kits for CME pumps and CM pumps connected to Grundfos CUE

The kit comprises:	Pressure range [bar]	Temperature range	Product number
<ul style="list-style-type: none"> Danfoss pressure transmitter, type MBS 3000, with 2 m screened cable Connection: G 1/2 A (DIN 16288 - B6kt) 5 cable clips (black) Installation and operating instructions PT (400212) 	0-4	-40-85 °C	96428014
	0-6		96428015
	0-10		96428016
	0-16		96428017
	0-25		96428018

DPI differential-pressure sensor kit

The kit comprises:	Pressure range [bar]	Product number
<ul style="list-style-type: none"> 1 sensor incl. 0.9 m screened cable (7/16" connections) 1 original DPI bracket (for wall mounting) 1 Grundfos bracket (for mounting on motor) 2 M4 screws for mounting of sensor on bracket 1 M6 screw (self-cutting) for mounting on MGE 90/100 1 M8 screw (self-cutting) for mounting on MGE 112/132 3 capillary tubes (short/long) 2 fittings (1/4" - 7/16") 5 cable clips (black) Installation and operating instructions (480675) Service kit instructions 	0 - 0.6	96611522
	0 - 1.0	96611523
	0 - 1.6	96611524
	0 - 2.5	96611525
	0 - 4.0	96611526
	0 - 6.0	96611527
	0-10	96611550

MP 204 motor protector



TM03 1471 2205

Fig. 54 MP 204

The MP 204 is an electronic motor protector and data collecting unit. Apart from protecting the motor, it can also send information to a control unit via GENibus, like for instance:

- trip
- warning
- energy consumption
- input power
- motor temperature.

The MP 204 protects the motor primarily by measuring the motor current by means of a true RMS measurement.

The pump is protected secondarily by measuring the temperature with a Tempcon sensor, a Pt100/Pt1000 sensor and a PTC sensor/thermal switch.

The MP 204 is designed for single- and three-phase motors.

Note: The MP 204 must not be used together with frequency converters.

Features

- Phase-sequence monitoring
- indication of current or temperature
- input for PTC sensor/thermal switch
- indication of temperature in °C or °F
- 4-digit, 7-segment display
- setting and status reading with the Grundfos GO Remote
- setting and status reading via the Grundfos GENibus fieldbus.

Tripping conditions

- Overload
- underload (dry running)
- temperature
- missing phase
- phase sequence
- overvoltage
- undervoltage
- power factor ($\cos \varphi$)
- current unbalance.

Warnings

- Overload
- underload
- temperature
- overvoltage
- undervoltage
- power factor ($\cos \varphi$)
- run capacitor (single-phase operation)
- starting capacitor (single-phase operation)
- loss of communication in network
- harmonic distortion.

Learning function

- Phase sequence (three-phase operation)
- run capacitor (single-phase operation)
- starting capacitor (single-phase operation)
- identification and measurement of Pt100/Pt1000 sensor circuit.

Product number

Description	Product number
MP 204 motor protector	96079927

Cover for CM motor

The cover protects the motor from ingress of liquid, especially if the pump is installed in a vertically tilted position with the motor end pointing upwards.

Product number

Description	Product number
Cover for CM motors, frame sizes 71 and 80	97528743

Angled cable gland



TM05 0729 1411

Fig. 55 Angled cable gland with O-ring and lock nut

Description	Product number
Angled cable gland with O-ring and lock nut	97842998

29. Grundfos Product Center

Online search and sizing tool to help you make the right choice.

<http://product-selection.grundfos.com>



"SIZING" enables you to size a pump based on entered data and selection choices.

"REPLACEMENT" enables you to find a replacement product. Search results will include information on

- the lowest purchase price
- the lowest energy consumption
- the lowest total life cycle cost.

The screenshot shows the Grundfos Product Center website. At the top, there is a navigation bar with 'HOME', 'FIND PRODUCT', 'COMPARE', 'YOUR PROJECTS', 'SAVED ITEMS', and 'HELP'. Below this is a search bar with a 'SEARCH' button. The main content area features four large buttons: 'SIZING' (with a subtext 'Enter pump sizing'), 'CATALOGUE' (with a subtext 'Products and services'), 'REPLACEMENT' (with a subtext 'Replace an old pump with a new'), and 'LIQUIDS' (with a subtext 'Find pump by liquid'). Below these buttons is a 'QUICK SIZING' section with input fields for 'Flow (Q)' and 'Head (H)', and a 'Select what to size by:' section with radio buttons for 'Size by application', 'Size by pump design', and 'Size by pump family'. A 'START SIZING' button is also visible. At the bottom, there is an 'ADVANCED SIZING' section with links for 'Advanced energy calculation' and 'Custom selection'.

"CATALOGUE" gives you access to the Grundfos product catalogue.

"LIQUIDS" enables you to find pumps designed for aggressive, flammable or other special liquids.

All the information you need in one place

Performance curves, technical specifications, pictures, dimensional drawings, motor curves, wiring diagrams, spare parts, service kits, 3D drawings, documents, system parts. The Product Center displays any recent and saved items - including complete projects - right on the main page.

Downloads

On the product pages, you can download installation and operating instructions, data booklets, service instructions, etc. in PDF format.

96903467 1216
ECM: 1197690

GRUNDFOS A/S
DK-8850 Bjerringbro . Denmark
Telephone: +45 87 50 14 00
www.grundfos.com

GRUNDFOS 