

SQ, SQE

Installation and operating instructions



Other languages

<http://net.grundfos.com/qr/i/96160909>

be
think
innovate

GRUNDFOS 

English (GB)	
Installation and operating instructions	5
Български (BG)	
Упътване за монтаж и експлоатация	20
Čeština (CZ)	
Montážní a provozní návod	35
Deutsch (DE)	
Montage- und Betriebsanleitung	50
Dansk (DK)	
Monterings- og driftsinstruktion	65
Eesti (EE)	
Paigaldus- ja kasutusjuhend	80
Español (ES)	
Instrucciones de instalación y funcionamiento	95
Suomi (FI)	
Asennus- ja käyttöohjeet	110
Français (FR)	
Notice d'installation et de fonctionnement	125
Ελληνικά (GR)	
Οδηγίες εγκατάστασης και λειτουργίας	140
Hrvatski (HR)	
Montažne i pogonske upute	155
Magyar (HU)	
Telepítési és üzemeltetési utasítás	170
Italiano (IT)	
Istruzioni di installazione e funzionamento	185
Lietuviškai (LT)	
Įrengimo ir naudojimo instrukcija	200
Latviešu (LV)	
Uzstādīšanas un ekspluatācijas instrukcija	215
Nederlands (NL)	
Installatie- en bedieningsinstructies	230
Polski (PL)	
Instrukcja montażu i eksploatacji	245
Português (PT)	
Instruções de instalação e funcionamento	260

Română (RO)	
Instrucțiuni de instalare și utilizare	275
Русский (RU)	
Паспорт, Руководство по монтажу и эксплуатации	290
Svenska (SE)	
Monterings- och driftsinstruktion	306
Slovensko (SI)	
Navodila za montažo in obratovanje	321
Slovenčina (SK)	
Návod na montáž a prevádzku	336
Türkçe (TR)	
Montaj ve kullanım kılavuzu	351
Bahasa Indonesia (ID)	
Petunjuk pengoperasian dan pemasangan	367
Қазақша (KZ)	
Орнату және пайдалану нұсқаулықтары	382
(AR) العربية	
تعليمات التركيب و التشغيل	411
Appendix	412

Original installation and operating instructions

CONTENTS

	Page
1. Symbols used in this document	5
2. General	6
2.1 Applications	6
3. Technical data	7
3.1 Storage	7
3.2 Sound pressure level	7
4. Preparation	7
4.1 Refilling of motor liquid	7
4.2 Positional requirements	8
4.3 Liquid temperatures/cooling	8
5. Electrical connection	9
5.1 General	9
5.2 Motor protection	9
5.3 Connection of motor	9
6. Installation	10
6.1 General	10
6.2 Assembly of pump part and motor	10
6.3 Removal of non-return valve	10
6.4 Fitting the cable plug to the motor	11
6.5 Fitting the cable guard	11
6.6 Cable sizing	12
6.7 Fitting the submersible drop cable	13
6.8 Pipework connection	13
7. Start-up	14
8. Operation	14
8.1 Minimum flow rate	14
8.2 Selection of diaphragm tank and setting of precharge pressure and pressure switch	14
8.3 Well system pressure overload	15
8.4 Built-in protection	16
9. Maintenance and service	16
9.1 Contaminated pumps	16
10. Fault finding chart	17
10.1 Megging	18
11. Checking the power supply	19
12. Environment	19
13. Disposal	19



Prior to installation, read this document. Installation and operation must comply with local regulations and accepted codes of good practice.



This appliance can be used by children aged from 8 years and above and persons with reduced physical, sensory or mental capabilities or lack of experience and knowledge if they have been given supervision or instruction concerning use of the appliance in a safe way and understand the hazards involved.

Children shall not play with the appliance. Cleaning and user maintenance shall not be made by children without supervision.

1. Symbols used in this document

DANGER



Indicates a hazardous situation which, if not avoided, will result in death or serious personal injury.

WARNING



Indicates a hazardous situation which, if not avoided, could result in death or serious personal injury.

CAUTION



Indicates a hazardous situation which, if not avoided, could result in minor or moderate personal injury.

The text accompanying the three hazard symbols DANGER, WARNING and CAUTION is structured in the following way:

SIGNAL WORD



Description of hazard

Consequence of ignoring the warning.
- Action to avoid the hazard.



A blue or grey circle with a white graphical symbol indicates that an action must be taken.



A red or grey circle with a diagonal bar, possibly with a black graphical symbol, indicates that an action must not be taken or must be stopped.



If these instructions are not observed, it may result in malfunction or damage to the equipment.



Tips and advice that make the work easier.

2. General

WARNING



Electric shock

Death or serious personal injury
- The pump must not be used when people are in the water.

On page 412 of these installation and operating instructions, you will find copies of the pump and motor nameplates.

Before the SQ/SQE pump is lowered into the borehole, this page should be filled in with the relevant nameplate data.

These installation and operating instructions must be kept in a dry place near the installation site for reference purposes.

2.1 Applications

The **SQ** and **SQE** pumps are designed for pumping thin, clean, non-aggressive, non-explosive liquids, not containing solid particles or fibres.

Typical applications:

- Groundwater supply for
 - private housing
 - small waterworks
 - irrigation systems in for instance green houses.
- Liquid transfer in tanks.
- Pressure boosting.

The **SQE-NE** pumps are designed for pumping thin, clean, non-explosive liquids, not containing solid particles or fibres.

These pumps are suitable for pumping contaminated or hydrogen-carbonate containing groundwater, e.g. from

- dumps
- chemical depots
- industrial areas
- oil and petrol filling stations
- environmental applications.

The **SQE-NE** pumps can also be used for sampling and monitoring and to some extent for incorporation in water treatment systems.

Information applying to all pump types

The maximum sand content of the water must not exceed 50 g/m³. A larger sand content will reduce the life of the pump and increase the risk of blocking.



If liquids with a viscosity higher than that of water are to be pumped, please contact Grundfos.

pH values

SQ and SQE: 5 to 9.

SQE-NE: Please contact Grundfos.

Liquid temperature

The temperature of the pumped liquid must not exceed 35 °C.

3. Technical data

Supply voltage

1 x 200-240 V - 10 %/+ 6 %, 50/60 Hz, PE.
Operation via generator: As a minimum, the generator output must be equal to the motor P1 [kW] + 10 %.

Starting current

The motor starting current is equal to the highest value stated on the motor nameplate.

Power factor

PF 1 =.

Motor liquid

Type SML 3.

Motor cable

1.5 m, 3 x 1.5 mm², PE.

Liquid temperature

Maximum 35 °C.

Pump outlet size

SQ 1, SQ 2, SQ 3: Rp 1 1/4.

SQ 5, SQ 7: Rp 1 1/2.

Pump diameter

74 mm.

Borehole diameter

Minimum 76 mm.

Installation depth

Maximum 150 m below static water level.
See also section [6.8.2 Installation depths](#).

Net weight

Maximum 6.5 kg.

3.1 Storage

Storage temperature: -20 °C to +60 °C.

3.1.1 Frost protection

If the pump has to be stored after use, it must be stored on a frost-free location or it must be ensured that the motor liquid is frost-proof.

The motor must not be stored without being filled with motor liquid.

3.2 Sound pressure level

The sound pressure level of the pump is lower than the limiting values stated in the EC Council Directive 2006/42/EC relating to machinery.

4. Preparation

Grundfos MS 3 and MSE 3 submersible motors have water-lubricated slide bearings. No additional lubrication is required.

The submersible motors are factory-filled with a special Grundfos motor liquid (type SML 3), which is frost-proof down to -20 °C and preserved to prevent the growth of bacteria.

The level of motor liquid is decisive for the operating life of the bearings and consequently the life of the motor.

4.1 Refilling of motor liquid

If for any reason the motor liquid has been drained or lost, the motor must be refilled with Grundfos motor liquid SML 3.

To refill the motor, proceed as follows:

1. Remove the cable guard and separate the pump part from the motor.

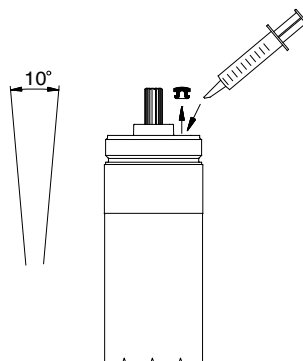


Fig. 1

2. Place the motor in vertical position with an inclination of approx. 10 °.
3. Remove the filling plug using a screwdriver or a similar tool.
4. Inject motor liquid into the motor with a filling syringe or the like.
5. To allow possible air to escape, move the motor from side to side.
6. Refit the filling plug and make sure it is tight.
7. Assemble pump part and motor.
8. Refit the cable guard.

The pump is now ready for installation.

TIM02 9606 3504

4.2 Positional requirements

The pump is suitable for vertical as well as horizontal installation, however, the pump shaft **must never** fall below the horizontal plane. See fig. 2.

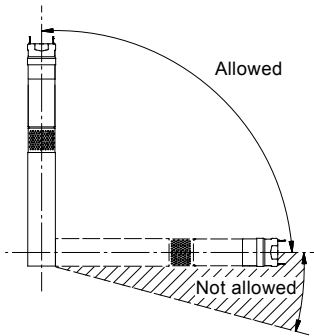


Fig. 2

If the pump is to be installed horizontally, e.g. in a tank, and there is a risk that the pump might be covered by mud, it must be fitted in a flow sleeve.

For installation depths, see section [6.8.2 Installation depths](#).

4.3 Liquid temperatures/cooling

Figure 3 shows an SQ/SQE pump installed in a borehole. The pump is operating.

Figure 3 illustrates the following:

- borehole diameter
- pump diameter
- temperature of pumped liquid
- flow past the motor to the pump suction strainer.

TM01 1375 4397

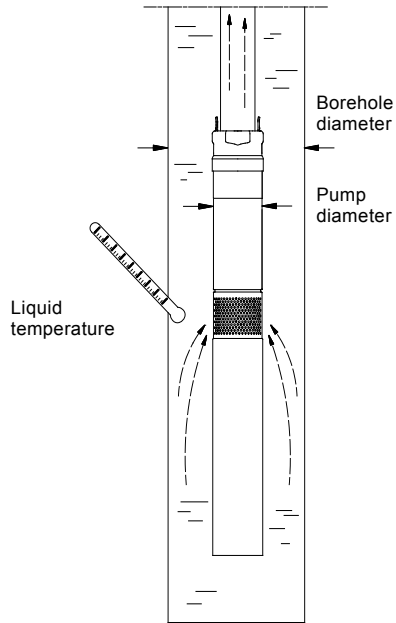


Fig. 3

To ensure sufficient cooling of the motor, it is important to observe the maximum liquid temperature of 35 °C under all conditions.



The borehole diameter must be at least 76 mm (approx. 3").

The motor should always be installed above the well screen. If a flow sleeve is used, the pump may be installed freely in the borehole.



Do not let the pump run against a closed discharge pipe for more than 5 minutes. When the discharge pipe is closed, there is no cooling flow and there is a risk of overtemperature in motor and pump.

If the actual temperature of the pumped liquid exceeds the specified value or the operating conditions otherwise fall outside the specified conditions, the pump may stop. Please contact Grundfos.

TM01 0518 1297

5. Electrical connection

5.1 General

The electrical connection should be carried out by an authorised electrician in accordance with local regulations.

WARNING

Electric shock

- Before starting work on the pump, make sure that the power supply has been switched off and that it cannot be accidentally switched on.
- The pump must be earthed.
- The pump must be connected to an external mains switch with a minimum contact gap of 3 mm in all poles.
- If the motor cable is damaged, it must be replaced by Grundfos, an authorised Grundfos service workshop or similarly qualified persons to avoid a hazard.



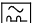
The supply voltage, rated maximum current and power factor (PF) appear from the motor nameplate. The required voltage for Grundfos submersible motors, measured at the motor terminals, is - 10 % / + 6 % of the nominal voltage during continuous operation (including variation in the supply voltage and losses in cables).

WARNING

Electric shock

- If the pump is connected to an electric installation where an earth-leakage circuit breaker (ELCB) is used as an additional protection, this circuit breaker **must** trip out when earth fault currents with DC content (pulsating DC) occur.



The earth leakage circuit breaker **must** be marked with the following symbol: .

Supply voltage

1 x 200-240 V - 10 %/+ 6 %, 50/60 Hz, PE.

The current consumption can only be measured by means of a true RMS instrument. If other instruments are used, the value measured will differ from the actual value.

On SQ/SQE pumps, a leakage current of 2.5 mA at 230 V, 50 Hz, can typically be measured. The leakage current is proportional to the supply voltage.

The SQE and SQE-NE pumps can be connected to a control box, type CU 300 or CU 301.



- The pump must never be connected to a capacitor or to another type of control box than CU 300 or CU 301.
- The pump must never be connected to an external frequency converter.

5.2 Motor protection

The motor incorporates thermal overload protection and requires no additional motor protection.

5.3 Connection of motor

The motor incorporates a starter device and can therefore be connected directly to the mains.

Start/stop of the pump will typically be done via a pressure switch. See fig. 4.



The pressure switch must be rated for the maximum amps of the specific pump size.

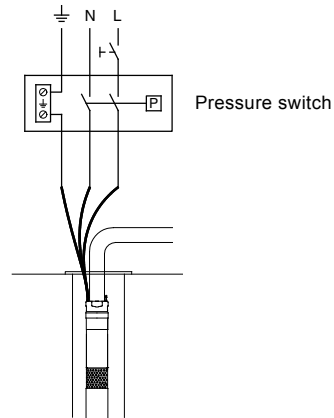


Fig. 4

6. Installation

6.1 General

WARNING

Electric shock

Death or serious personal injury
- Before starting any work on the pump/motor, make sure that the power supply has been switched off and that it cannot be accidentally switched on.



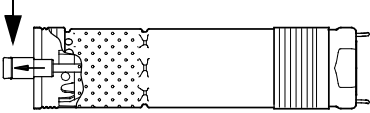
Do not lower or lift the pump by means of the motor cable.

The loose data plate supplied with the pump should be fixed close to the installation site.

6.2 Assembly of pump part and motor

To assemble pump part and motor, proceed as follows:

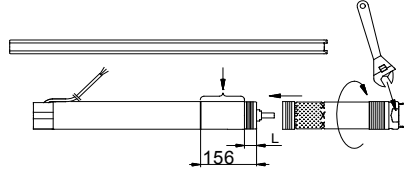
1. Place the motor horizontally in a vice and tighten it. See fig. 6.
2. Pull the pump shaft out to the position shown in fig. 5.



TM02 8425 5203

Fig. 5

3. Grease the motor shaft end with the grease supplied with the motor.
4. Screw the pump part on the motor (55 Nm).
Caution: The pump shaft must engage with the motor shaft.
A spanner may be used on the clamping faces of the pump part. See fig. 6.



TM01 2854 3804

Fig. 6

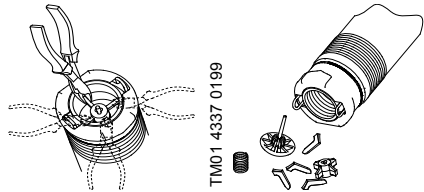
Motor (P2) [kW]	L [mm]
0.70	120
1.15	102
1.55	84
1.85	66

When pump part and motor have been assembled correctly, there must not be a clearance between pump part and motor.

6.3 Removal of non-return valve

If a pump without non-return valve is required, the valve can be removed as follows:

1. Cut off the legs of the valve guide using side-cutting pliers or a similar tool. See fig. 7.
2. Turn the pump upside down.
3. Check that all loose parts fall out of the pump.



TM01 4337 0199

TM01 4338 0199

Fig. 7



SQE-NE is supplied without non-return valve.

The non-return valve can be fitted in a Grundfos service workshop.

6.4 Fitting the cable plug to the motor

WARNING

Electric shock

- Death or serious personal injury
- The motor plug must under no circumstances be removed by the user.
 - The cable with plug must be fitted or removed by an authorised Grundfos service workshop or a similarly qualified person.



The following description is exclusively intended for service personnel. If the motor cable is to be replaced, see section 5.1 *General*.

The cable plug supplied with the motor is factory-greased. Check that the plug is greased correctly.

To fit the cable plug, proceed as follows:

1. Check that the cable is of the correct type, cross-section and length.
2. Check that the mains on the location has correct connection to earth.
3. Check that the motor socket is clean and dry. Make sure that the loose gasket has been fitted.
4. Press the cable plug onto the motor socket. The plug cannot be fitted wrongly. See fig. 8.

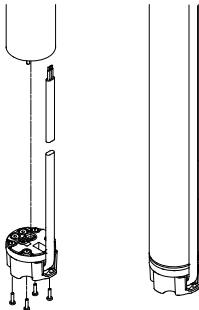


Fig. 8

5. Fit and tighten the four screws (1 - 1.5 Nm). See fig. 8.

When the plug has been fitted, there must not be a clearance between the motor and the cable plug.

TM02.9605.3504

6.5 Fitting the cable guard

To fit the cable guard, proceed as follows:

1. Make sure that the submersible drop cable lies flat in the cable guard.
2. Place the cable guard in the groove in the cable plug. The two flaps of the cable guard must engage with the upper edge of the pump sleeve. See fig. 9.

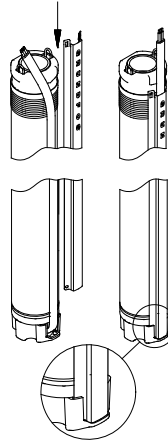


Fig. 9

3. Fasten the cable guard to the pump suction strainer with the two self-tapping screws supplied. See fig. 10.



Fig. 10

TM02.9613.3504

TM01.4427.0299

6.6 Cable sizing

Grundfos can supply submersible drop cables for any type of installation.



The cross-section of the submersible drop cable must be large enough to meet the voltage requirements specified in section [5.1 General](#).

The table values below are calculated from the following formula:

$$q = \frac{I \times 2 \times 100 \times PF \times L \times \rho}{U \times \Delta U}$$

q = Cross-section of submersible drop cable [mm²].

I = Rated maximum current of the motor [A].

PF = 1.0.

L = Length of submersible drop cable [m].

ρ = Specific resistance: 0.02 [Ωmm²/m].

U = Nominal voltage [V].

ΔU = Voltage drop [%] = 4 %.

The 4 % voltage drop is according to IEC 3-64, HD-384 Series.

The calculation gives the following maximum cable lengths at a supply voltage of 240 V:

Maximum cable length [m]							
Motor (P2)	I _N	Cable size					
		1.5 mm ²	2.1 mm ² / 14 AWG	2.5 mm ²	3.3 mm ² / 12 AWG	4 mm ²	6 mm ²
[kW]	[A]						
0.7	5.2	80	112	133	176	213	320
1.15	8.4	50	69	83	109	132	198
1.55	11.0	37	52	62	82	99	149
1.85	12	35	49	58	76	92	139

6.7 Fitting the submersible drop cable

It is recommended to join the submersible drop cable and the motor cable by means of a Grundfos cable termination kit, type KM.

Cable termination kit, type KM	
Cross-sectional area	Product number
1.5 to 6.0 mm ²	96021473

For larger cross-sections, please contact Grundfos.

6.8 Pipework connection

If a tool, e.g. a chain pipe wrench, is used when the riser pipe is fitted to the pump, the pump must only be gripped by the pump discharge chamber.

When connecting plastic pipes, a compression coupling should be used between the pump and the first pipe section.



For pumps fitted with plastic pipes, the expansion of the pipes when loaded should be taken into consideration, when deciding on the installation depth of the pump.

Where flanged pipes are used, the flanges should be slotted to take the submersible drop cable.

Figure 11 shows a pump installation with indication of:

- position of cable clips, pos. 1, and distance between the clips.
- fitting of straining wire, pos. 2.
- maximum installation depth below the static water level.

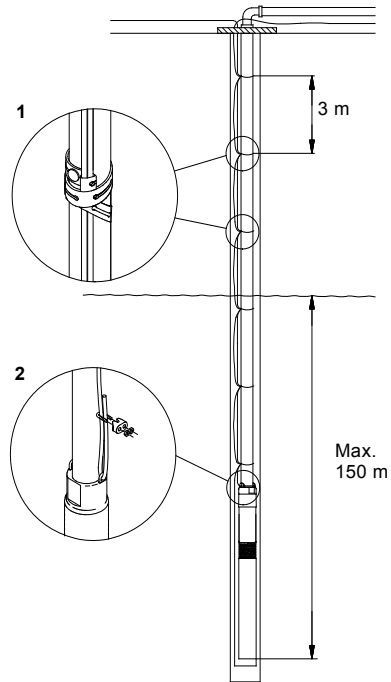


Fig. 11

6.8.1 Cable clips

Cable clips must be fitted every 3 metres. See fig. 11.

When connecting plastic pipes, some slackness must be left between each cable clip as plastic pipes expand when loaded.

Where flanged pipes are used, the cable clips should be fitted above and below each joint.

TM01 0480-4397

6.8.2 Installation depths

Maximum installation depth below the static water level: 150 metres. See fig. 11.

Minimum installation depths below the dynamic water level:

- **Vertical installation:**
During start-up and operation, the pump must always be completely submerged in water.
- **Horizontal installation:**
The pump must be installed and run at least 0.5 metres below the dynamic water level. If there is a risk that the pump might be covered by mud, the pump must always be fitted in a flow sleeve.

6.8.3 When lowering the pump into the borehole

It is recommended to secure the pump by an unloaded straining wire. See fig. 11, pos. 2. Slacken the straining wire so that it becomes unloaded and lock it to the borehole seal by means of wire locks.



The straining wire must not be used for pulling the pump with riser pipe out of the borehole.



Do not lower or lift the pump by means of the motor cable.

7. Start-up

Make sure that the well is capable of yielding a minimum quantity of water corresponding to the pump capacity.

Do not start the pump until it is completely submerged in the liquid.

Start the pump and do not stop it until the pumped liquid is completely clean, as otherwise the pump parts and the non-return valve may choke up.

8. Operation

8.1 Minimum flow rate

To ensure the necessary cooling of the motor, the pump flow rate should never be set to a value lower than 50 l/h.

If the flow rate suddenly falls, the reason might be that the pump is pumping more water than the borehole can yield. The pump must be stopped and the fault corrected.



The pump dry-running protection is effective only within the recommended duty range of the pump.

8.2 Selection of diaphragm tank and setting of precharge pressure and pressure switch

WARNING



Pressurised system

- Death or serious personal injury
- The installation must be designed for the maximum pump pressure.

As the pump has a built-in soft starter giving a run-up time of 2 seconds, the pressure at the pressure switch and diaphragm tank during starting will be lower than the pump cut-in pressure set on the pressure switch (P_{cut-in}). This lower pressure is called minimum pressure (P_{min}).

P_{min} is equal to the desired minimum pressure at the highest tap + head and head loss in the pipe from the pressure switch and diaphragm tank to the highest tap ($P_{min} = B + C$). See fig. 12.

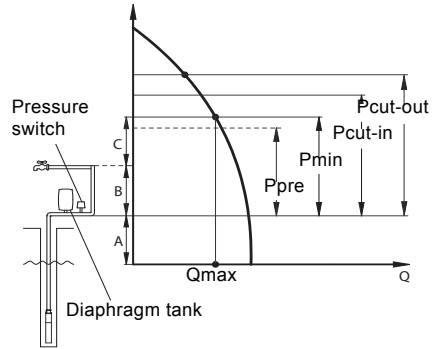


Fig. 12

- A: Head + head loss from dynamic water level to diaphragm tank.
- B: Head + head loss from diaphragm tank to highest tap.
- C: Minimum pressure at highest tap.



Make sure that the selected pump can deliver a pressure higher than $P_{cut-out} + A$.

- P_{pre} : Precharge pressure of diaphragm tank.
- P_{min} : Desired minimum pressure.
- P_{cut-in} : Cut-in pressure set on pressure switch.
- $P_{cut-out}$: Cut-out pressure set on pressure switch.
- Q_{max} : Maximum flow at P_{min} .

TM00 6445 3795

8.3 Well system pressure overload

In order to provide protection against overpressure, install a pressure relief valve downstream of the well head. The setpoint of the pressure relief valve must be at least 30 psi above the pressure setting.

If you install a relief valve, we recommend that you connect it to an appropriate drainage point.

Using P_{min} and Q_{max} , the **minimum** diaphragm tank size, precharge pressure and pressure switch settings can be found in the guideline table below:

Example

P_{min} = 35 m head, Q_{max} = 2.5 m³/h.

On the basis of this information, the following values can be found in the table:

Minimum diaphragm tank size = 33 litres.

P_{pre} = 31.5 m head

P_{cut-in} = 36 m head

$P_{cut-out}$ = 50 m head

P_{min} [m]	Qmax [m ³ /h]																P_{pre} [m]	Pcut- in [m]	Pcut- out [m]		
	0.6	0.8	1	1.2	1.5	2	2.5	3	3.5	4	4.5	5	5.5	6	6.5	7				7.5	8
Diaphragm tank size [litres]																					
25	8	8	18	18	18	18	24	33	33	50	50	50	50	80	80	80	80	80	22.5	26	40
30	8	8	18	18	18	24	33	33	50	50	50	50	80	80	80	80	80		27	31	45
35	8	18	18	18	18	24	33	33	50	50	50	80	80	80	80	80			31.5	36	50
40	8	18	18	18	18	24	33	50	50	50	80	80	80	80	80				36	41	55
45	8	18	18	18	24	33	33	50	50	50	80	80	80	80					40.5	46	60
50	8	18	18	18	24	33	50	50	50	80	80	80	80						45	51	65
55	18	18	18	18	24	33	50	50	50	80	80	80							49.5	56	70
60	18	18	18	18	24	33	50	50	80	80	80	80							54	61	75
65	18	18	18	24	24	33	50	50	80	80	80	80							58.5	66	80

1 m head = 0.098 bar.

8.4 Built-in protection

The motor incorporates an electronic unit which protects the motor in various situations.

In case of overload, the built-in overload protection will stop the pump for 5 minutes. After that period, the pump will attempt to restart.

If the pump has been stopped as a result of dry running, it will start automatically after 5 minutes.

If the pump is restarted and the borehole is empty, the pump will stop after 30 seconds.

Resetting of the pump: Switch off the power supply for 1 minute.

The motor is protected in case of:

- dry running
- voltage surges (up to 6000 V)
In areas with high lightning intensity, external lightning protection is required.
- overvoltage
- undervoltage
- overload
- overtemperature.

SQE pumps/MSE 3 motors



Via the CU 300 or CU 301, the dry-running stop limit of the MSE 3 motors can be adjusted to match the actual application.

9. Maintenance and service

The pumps are normally maintenance-free.

Deposits and wear may occur. For that purpose, service kits and service tools are available from Grundfos. The Grundfos Service Manual is available on request.

The pumps can be serviced at a Grundfos service centre.

9.1 Contaminated pumps



If a pump has been used for a liquid which is injurious to health or toxic, the pump will be classified as contaminated.

If Grundfos is requested to service the pump, Grundfos must be contacted with details about the pumped liquid, etc. *before* the pump is returned for service. Otherwise, Grundfos can refuse to accept the pump for service.

However, any application for service (no matter to whom it may be made) must include details about the pumped liquid if the pump has been used for liquids which are injurious to health or toxic.

SQE-NE: Only pumps that can be certified as uncontaminated, i.e. pumps containing no hazardous and/or toxic material, may be returned to Grundfos for servicing.

To prevent injury to the health of persons involved and to the environment, a document certifying that the pump is clean is required.

Grundfos must receive this certificate before the product. Otherwise, Grundfos will refuse to accept the product for servicing.

Possible costs of returning the pump are paid by the customer.

10. Fault finding chart

CAUTION

Electric shock



Minor or moderate personal injury

- Before starting any work on the pump/motor, make sure that the power supply has been switched off and that it cannot be accidentally switched on.

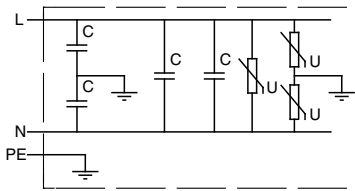
Fault	Cause	Remedy
1. The pump does not run.	a) The fuses in the electric installation are blown.	Replace the blown fuses. If the new ones blow too, the electric installation and the submersible drop cable should be checked.
	b) The ELCB or the voltage-operated ELCB has tripped out.	Cut in the circuit breaker.
	c) No power supply.	Contact the power supply authorities.
	d) The motor protection has cut off the power supply due to overload.	Check whether the motor/pump is blocked.
	e) The pump/submersible drop cable is defective.	Repair/replace the pump/cable.
	f) Overvoltage or undervoltage has occurred.	Check the power supply.
2. The pump runs but gives no water.	a) The discharge valve is closed.	Open the valve.
	b) No water or too low water level in borehole.	See item 3 a).
	c) The non-return valve is stuck in its closed position.	Pull out the pump and clean or replace the valve.
	d) The suction strainer is choked up.	Pull out the pump and clean the strainer.
	e) The pump is defective.	Repair/replace the pump.
3. The pump runs at reduced capacity.	a) The drawdown is larger than anticipated.	Increase the installation depth of the pump, throttle the pump or replace it by a smaller model to obtain a smaller capacity.
	b) The valves in the discharge pipe are partly closed/blocked.	Check and clean/replace the valves, if necessary.
	c) The discharge pipe is partly choked by impurities (ochre).	Clean/replace the discharge pipe.
	d) The non-return valve of the pump is partly blocked.	Pull out the pump and check/replace the valve.
	e) The pump and the riser pipe are partly choked by impurities (ochre).	Pull out the pump. Check and clean or replace the pump, if necessary. Clean the pipes.
	f) The pump is defective.	Repair/replace the pump.
	g) Leakage in the pipework.	Check and repair the pipework.
	h) The riser pipe is defective.	Replace the riser pipe.
	i) Undervoltage has occurred.	Check the power supply.

Fault	Cause	Remedy
4. Frequent starts and stops.	a) The differential of the pressure switch between the start and stop pressures is too small.	Increase the differential. However, the stop pressure must not exceed the operating pressure of the pressure tank, and the start pressure should be high enough to ensure sufficient water supply.
	b) The water level electrodes or level switches in the reservoir have not been installed correctly.	Adjust the intervals of the electrodes/level switches to ensure suitable time between the cutting-in and cutting-out of the pump. See installation and operating instructions for the automatic devices used. If the intervals between stop/start cannot be changed via the automatics, the pump capacity may be reduced by throttling the discharge valve.
	c) The non-return valve is leaking or stuck half-open.	Pull out the pump and clean/replace the non-return valve.
	d) The supply voltage is unstable.	Check the power supply.
	e) The motor temperature gets too high.	Check the water temperature.

10.1 Megging



Megging of an installation incorporating SQ/SQE pumps is not allowed, as the built-in electronics may be damaged. See fig. 13.



TM02 0689 5000

Fig. 13

11. Checking the power supply

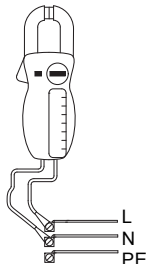
WARNING

Electric shock



- Death or serious personal injury
- Before starting any work on the pump/motor, make sure that the power supply has been switched off and that it cannot be accidentally switched on.

1. Supply voltage

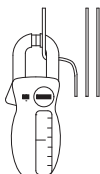


TM00 1371 4904

Measure the voltage (RMS) between phase and neutral. Connect the voltmeter to the terminals at the connection.

The voltage should, when the motor is loaded, be within the range specified in section 5. *Electrical connection*. Large variations in supply voltage indicate poor power supply, and the pump should be stopped until the defect has been remedied.

2. Current consumption



TM00 1372 5082

Measure the current (RMS) while the pump is operating at a constant discharge head (if possible, at the capacity where the motor is most heavily loaded).

For maximum current, see nameplate.

If the current exceeds the full load current, there are the following possible faults:

- Poor connection in leads, possibly in the cable joint.
- Too low supply voltage, see item 1.

12. Environment

During handling, operation, storage and transport, all environment regulations dealing with the handling of hazardous materials must be observed.

WARNING

Corrosive substance



- Death or serious personal injury
- When the pump is taken out of operation, it must be ensured that no hazardous material is left in the pump/motor and the riser pipe, which can be injurious to persons and the environment.

In case of doubt, please contact Grundfos or the local authorities.

13. Disposal

This product or parts of it must be disposed of in an environmentally sound way:

1. Use the public or private waste collection service.
2. If this is not possible, contact the nearest Grundfos company or service workshop.

Subject to alterations.

Български (BG) Упътване за монтаж и експлоатация

Превод на оригиналната английска версия

СЪДЪРЖАНИЕ

	Стр.
1. Символи в този документ	20
2. Общо	21
2.1 Приложения	21
3. Технически данни	22
3.1 Съхранение	22
3.2 Ниво на звуковото налягане	22
4. Подготовка	22
4.1 Допълване на течността в двигателя	22
4.2 Изисквания за разположение	23
4.3 Температура на течността/охлаждане	23
5. Електрическо свързване	24
5.1 Общи положения	24
5.2 Защита на двигателя	24
5.3 Свързване на двигателя	24
6. Монтаж	25
6.1 Общо	25
6.2 Монтаж на помпата с двигателя	25
6.3 Демонтаж на смукателния клапан	25
6.4 Монтаж на кабелния щепсел към звигателя	26
6.5 Монтаж на кабелния предпазител	26
6.6 Определяне на размера на кабела	27
6.7 Свързване на потопяем кабел	28
6.8 Връзка с тръбопровода	28
7. Пуск	29
8. Работа	29
8.1 Минимален дебит	29
8.2 Избор на разширителен съд и настройка на предварителното налягане и на пресостата	29
8.3 Претоварване по налягане на системата от кладенеца	30
8.4 Вградени защиты	31
9. Поддръжка и сервизно обслужване	31
9.1 Замърсени помпи	31
9.2 Резервни части/принадлежности	31
10. Схема за откриване на нередности	32
10.1 Измерване на изолация	33
11. Проверка на електрическото захранване	34
12. Околна среда	34
13. Отстраняване на отпадъци	34



Преди инсталиране прочетете този документ. Монтажът и експлоатацията трябва да отговарят на местната нормативна уредба и утвърдените правила за добра практика.

Този уред може да се използва от деца на 8 и повече години и лица с физически, сетивни или умствени увреждания или липса на опит и познания, ако са под надзор или им е проведено обучение относно безопасното използване на продукта и ако разбират свързаните с него опасности.



Не се допуска деца да си играят с уреда. Почистването и поддръжката на продукта от потребителя не трябва да се извършва от деца без надзор.

1. Символи в този документ

ОПАСНОСТ



Обозначава опасна ситуация, която може да доведе до смърт или тежки наранявания.

ПРЕДУПРЕЖДЕНИЕ



Обозначава опасна ситуация, която може да доведе до смърт или тежки наранявания.

ВНИМАНИЕ



Обозначава опасна ситуация, която може да доведе до смърт или тежки наранявания.

Текстът, придружаващ трите символа за опасност "ОПАСНОСТ", "ПРЕДУПРЕЖДЕНИЕ" и "ВНИМАНИЕ", ще бъде структуриран по следния начин:

СИГНАЛИЗИРАЩА ДУМА



Описание на опасността

Последствия от пренебрегването на предупреждението.

- Действия за предотвратяване на опасността.



Син или сив кръг с бял графичен символ обозначава, че за избягване на опасността трябва да се предприеме действие.



Червен или сив кръг с диагонална лента, обикновено с черен графичен символ, обозначава, че определено действие трябва да не се предприема или да бъде преустановено.



Неспазването на тези инструкции може да доведе до неизправност или повреда на оборудването.



Съвети и препоръки, които улесняват работата.

2. Общо

ПРЕДУПРЕЖДЕНИЕ



Електрически удар

- Смърт или тежки наранявания
- Помпата не трябва да се използва, когато има хора във водата.

Копия от информационните табели на помпата и мотора ще намерите на страница [412](#) от тези инструкции за монтаж и работа.

Преди да се спусне помпата в отвора тази страница трябва да се попълни със съответните данни.

Тези инструкции за монтаж и работа трябва да се съхраняват на суха място близо до обекта със справочна цел.

2.1 Приложения

Помпите **SQ** и **SQE** са проектирани за изпомпване на редки, чисти, неагресивни и неексплозивни течности, без съдържание на твърди частици и влакна.

Типични приложения:

- Водоснабдяване на
 - частни къщи,
 - малки водни стопанства,
 - напоителни системи и оранжерии.
- Трансфер на течности в резервоари.
- Повишаване на налягането.

Помпите **SQE-NE** са проектирани за изпомпване на редки, чисти, неексплозивни течности, без съдържание на твърди частици и влакна.

Те имат възможности за изпомпване на замърсена или съдържаща водород-карбонат течности от:

- сметища,
- химически складове,
- индустриални зони,
- газо и бензиностанции,
- и за екологични приложения.

Тези помпи **SQE-NE** също могат да се използват за вземане на проби, следене и смесване при пречиствателни станции.

Обща информация за всичките типове помпи:

Максималното съдържание на твърди частици в течността не трябва да превишава 50 g/m^3 .

По-голямото съдържание ще намали живота на помпата и създава възможности за евентуално блокиране на помпата.



Ако изпомпваната течност е с по-голям вискозитет от този на водата, моля, свържете се с Grundfos.

Стойност на pH:

SQ и SQE: между 5 и 9.

SQE-NE: моля, свържете се с Grundfos.

Температура на течността:

Температурата на работната течност не трябва да превишава $35 \text{ }^\circ\text{C}$ (виж раздел

[4.3 Температура на течността/охлаждане](#)).

3. Технически данни

Захранващо напрежение:

1 x 200-240 V - 10 %/+ 6 %, 50/60 Hz, PE.

Захранване от генератор: като правило мощността на генератора трябва да е равна на мощността на помпата P_1 [kW] + 10 %.

Пусков ток:

Най-високата стойност на пусковия ток е указана на табелата на двигателя.

Силов коефициент:

PF = 1.

Течност на двигателя:

Тип SML 2.

Кабел на двигателя:

1,5 м, 3 x 1,5 мм², PE.

Температура на течността:

Максимум 35 °C.

Размер на изхода от помпата:

SQ 1, SQ 2, SQ 3: Rp 1 1/4.

SQ 5, SQ 7: Rp 1 1/2.

Диаметър на помпата:

74 мм.

Диаметър на кладенеца:

Минимум 76 мм.

Дълбочина на инсталиране:

Максимум 150 м под статичното водно ниво.

Виж също раздел [6.8.2 Дълбочина на монтиране](#).

Тегло нето:

Максимум 6,5 kg.

3.1 Съхранение

Температура на съхранение: от -20 °C до +60 °C.

3.1.1 Защита от измръзване

След работа помпата трябва да се съхранява на места, където няма да замръзне или да се уверим, че течността в двигателя е антифриз.

Двигателят не трябва да се съхранява без течност.

3.2 Ниво на звуковото налягане

Нивото на звуковото налягане на помпата е под границите на допустимото от Съвета за уеднаквяване на правните разпоредби на държавите членки на ЕО - Машини (2006/42/ЕО).

4. Подготовка

Потопиемите двигателите Grundfos MS 3 и MSE 3 имат водни плъзгащи лагери.

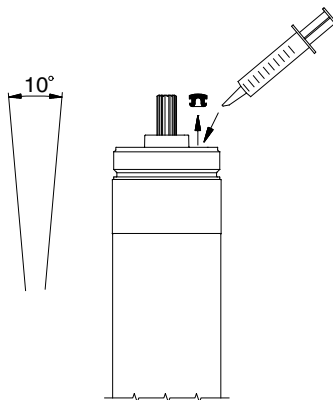
Потопиемите двигателите са фабрично напълнени със специална Grundfos течност (тип SML 2), която не замръзва при температури до -20 °C и е защитена от развитието на бактерии. Нивото на течността в двигателя е от решаващо значение за живота на лагерите и следователно за живота на помпата.

4.1 Допълване на течността в двигателя

В случай, че течността в двигателя е източена или намалела, двигателят трябва да бъде допълнен с течността на Grundfos - SML 2.

За да допълните течността в двигателя направете следното:

1. Отстранете кабелния предпазител и отделете двигателя от помпата.



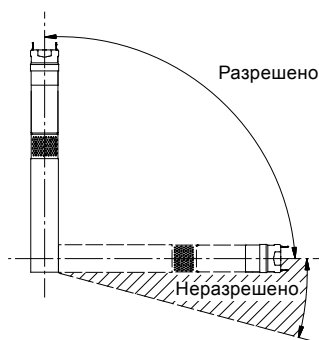
Фиг. 1

2. Поставете двигателя във вертикално положение с приблизителен наклон от 10 °.
 3. Отстранете капачката за доливане, като използвате отверка или подобен подходящ инструмент.
 4. Впръскайте течността в двигателя, като използвате спринцовка или подобен инструмент.
 5. За да осъществите отвеждането на въздуха, разклатете няколко пъти двигателя.
 6. Завийте капачката за доливане и се уверете, че е затегната.
 7. Сглобете двигателя с помпата.
 8. Поставете кабелния предпазител.
- Помпата е готова за монтаж.

TM02 9606 3504

4.2 Изисквания за разположение

Помпата е подходяща за хоризонтален или вертикален монтаж, но валът не трябва никога да е под хоризонталната равнина, виж фиг. 2.



Фиг. 2

Ако помпата ще се инсталира хоризонтално, т.е. в резервоар и има риск от засмукване на кал, то тогава трябва да се инсталира със специален кожух.

За дълбочина на инсталиране виж раздел [6.8.2 Дълбочина на монтиране](#).

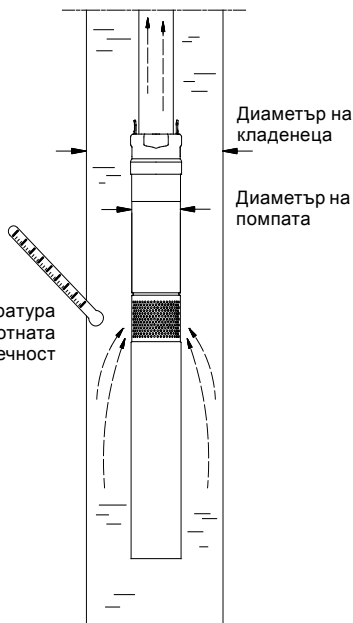
4.3 Температура на течността/охлаждане

Фигура 3 показва работеща SQ/SQE помпа монтирана в кладенец.

Фигура 3 демонстрира следното:

- Диаметъра на кладенеца.
- Диаметъра на помпата.
- Температурата на работната течност.
- Дебита преминал около двигателя, за да достигне до смукателния филтър на помпата.

TM01 1375 4397



Фиг. 3

С цел да се обезпечи достатъчно охлаждане на двигателя, е важно максималната температура на течността да не надвишава 35 °C при каквито и да е условия.



Диаметърът на кладенеца трябва да бъде най-малко 76 мм (прибл. 3").

Двигателя трябва винаги да се инсталира над армираното ниво на кладенеца. Ако се използва специален кожух помпата може да се инсталира свободно в кладенеца.

Не се допуска помпата да работи при спрян кран в нагнетателната тръба за повече от 5 минути.



В такъв случай не е възможно охлаждането на двигателя от потока течност и е възможно прегряване на двигателя.

Ако реалната температура на течността е по-голяма от допустимата при работа, помпата може да спре. При такива случаи, моля, да се свържете с Grundfos.

TM01 0518 1297

5. Електрическо свързване

5.1 Общи положения

Свързването на помпата към електрическата мрежа трябва да се извърши от упълномощени електротехници и в съответствие с местните правила.

ПРЕДУПРЕЖДЕНИЕ

Електрически удар

Смърт или тежки наранявания

- Преди да започнете работа по помпата, убедете се че електрическото захранване е изключено и не може да бъде включено случайно.
- Помпата е заземена.
- Помпата трябва да се свърже чрез външен включвател, с разстояние между контактите минимум 3 мм.
- Ако захранващия кабел на двигателя е повреден, то той трябва да бъде заменен от служител на Grundfos или оторизиран сервизен партньор.



Захранващото напрежение, максималният пусков ток и силовият коефициент (PF) можете да намерите на табелата на двигателя.

Необходимото напрежение за потопяемите двигатели на Grundfos е - 10 %/+ 6 % от номиналното напрежение при продължителна работа (включително отклоненията в захранването и загубите в кабелите).

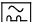
ПРЕДУПРЕЖДЕНИЕ

Електрически удар

Смърт или тежки наранявания

- Когато за допълнителна защита на помпата използваме заземителен прекъсвач, той трябва да изключва веригата при наличието на постоянен ток (пулсиращ постоянен ток).



Този заземителен прекъсвач трябва да се означава със следният знак: .

Захранващо напрежение:

1 x 200-240 V - 10 %/+ 6 %, 50/60 Hz, PE.

Реалната консумация на ток може да бъде измерена само с помощта на RMS апарат. При използването на други апарати, измерената стойност ще бъде различна от реалната.

При помпи тип SQ/SQE, обикновено се измерват токови загуби от утечки от порядъка на 2,5 mA при 230 V, 50 Hz. Токовите утечки са пропорционални на захранващото напрежение.

Помпите SQE и SQE-NE могат да се свържат с контролно табло тип CU 300 или CU 301.

Помпата не трябва да се свързва с кондензатор или друг тип контролни табла, освен CU 300 или CU 301.

Тази помпа не трябва никога да се свързва с външен честотен конвертор.



5.2 Защита на двигателя

В двигателя е вградена Термична защита по претоварване и не са необходими допълнителни защиты на двигателя.

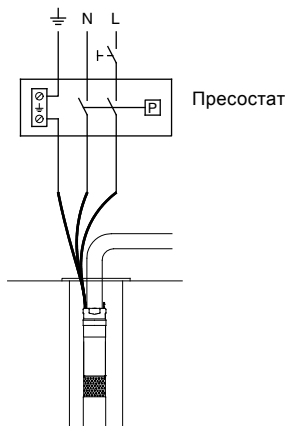
5.3 Свързване на двигателя

В двигателя е вградено пусково устройство и следователно той може да бъде включен директно.

Пускането и спирането на помпата обикновено се управлява през пресостат, виж фиг. 4.



Настройката на Пресостата трябва да се съобрази с максималният ампераж на типоразмера помпа.



Фиг. 4

6. Монтаж

6.1 Общо

ПРЕДУПРЕЖДЕНИЕ

Електрически удар

Смърт или тежки наранявания

- Преди да започнете работа по помпата, убедете се че електрическото захранване е изключено и не може да бъде включено случайно.



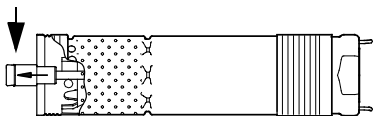
Не използвайте кабела на двигателя за спускане или вдигане на помпата.

Доставените с помпата немонтирани табели трябва да се монтират наблизо до работното място.

6.2 Монтаж на помпата с двигателя

За да монтирате помпата с двигателя извършете следното:

1. Поставете двигателя във хоризонтално положение и го фиксирайте с помощта на менгеме, виж фиг. 6.
2. Изтеглете вала на помпата до позицията, показана на фиг. 5.

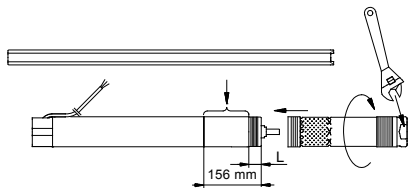


Фиг. 5

3. Гресирайте края на вала на двигателя, с помощта на доставената с двигателя грес.
4. Завийте помпата към двигателя с помощта на ключ (55 Nm).

Забележка: Вала на помпата трябва да се зацели с вала на двигателя.

Като за целта можете да използвате специалните повърхнини на дъното на помпата, виж фиг. 6.



Фиг. 6

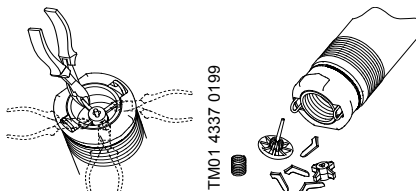
Двигател (P2) [kW]	L [мм]
0,70	120
1,15	102
1,68	66
1,85	66

При правилен монтаж на помпата с двигателя не трябва да има хлабина между тях.

6.3 Демонтаж на смукателния клапан

Ако желаете да използвате помпата без смукателен клапан, той може да бъде демонтиран по следния начин:

1. Срежете ребрата на клапана с помощта на клещи-резачки или подобен инструмент, виж фиг. 7.
2. Обърнете помпата обратно.
3. Проверете дали всички освободени части са изпаднали вън от помпата.



Фиг. 7



Помпата SQE-NE се доставя без смукателен клапан.

Такъв смукателен клапан може да бъде монтиран в сервиза на Grundfos.

6.4 Монтаж на кабелния щепсел към звонгателя

ПРЕДУПРЕЖДЕНИЕ

Електрически удар

Смърт или тежки наранявания



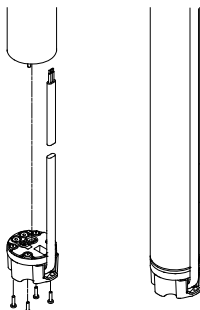
- Кабелният куплунг на звонгателя не трябва да се отстранява от потребителя.
- Кабелът с кабелния щепсел трябва да се постави или отстрани от оторизиран сервиз или сервизен служител на Grundfos.

Следното описание се отнася изключително само за сервизните техници. Ако захранващия кабел на звонгателя трябва да се замени, вижте раздел [5.1 Общи положения](#).

Доставяният с звонгателя кабелен щепсел е предварително гресиран. Проверете дали е гресиран правилно.

За да монтирате кабелния щепсел извършете следното:

1. Проверете дали съответстват типа, напречното сечение и дължината на кабела.
2. Проверете дали главният кабел е правилно заземен.
3. Проверете дали мястото за свързване на звонгателя е сухо и чисто. Уверете се, че уплътнителната гарнитура е поставена.
4. Натиснете кабелният щепсел към гнездото в звонгателя. Щепселът не може да се постави грешно, виж фиг. 8.



Фиг. 8

5. Поставете и затегнете четирите винта (1 - 1,5 Nm), виж фиг. 8.

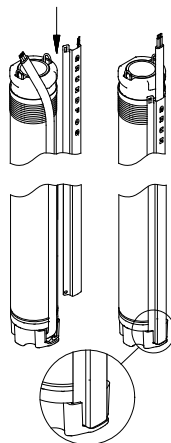
При монтажа на щепсела не трябва да има хлабина между звонгателя и кабелния щепсел.

TM02 9605 3504

6.5 Монтаж на кабелния предпазител

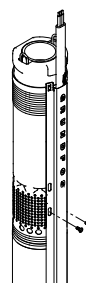
За да монтирате кабелния предпазител извършете следното:

1. Уверете се, че потопяемият плосък кабел е поставен правилно в кабелният предпазител.
2. Поставете кабелния предпазител в жлеба на кабелния щепсел. Двете уши на кабелния предпазител трябва да достигат до горния край на канала на помпата, виж фиг. 9.



Фиг. 9

3. Затегнете кабелния предпазител към смукателния филтър на помпата с помощта на доставените два самозавиващи се винта, виж фиг. 10.



Фиг. 10

TM02 9613 3504

TM01 4427 0299

6.6 Определяне на размера на кабела

Grundfos може да достави потопяеми кабели за всички типове монтаж.



Големината на напречното сечение на кабела трябва да е достатъчна за да посрещне изискванията на напрежение определени в раздел [5.1 Общи положения](#).

Следващите таблични стойности са изчислени на базата на следната формула

$$q = \frac{I \times 2 \times 100 \times PF \times L \times \rho}{U \times \Delta U}$$

q = напречно сечение на потопяемия кабел, [мм²].

I = максимален номинален ток, [A].

PF = 1,0.

L = дължина на потопяемия кабел, [м].

ρ = специфично съпротивление:
0,02 [Ωмм²/м].

U = номинално напрежение, [V].

ΔU = пад на напрежение [%] = 4 %.

Пад на напрежение 4 % съгласно IEC 3-64, Серия HD-384.

:Изчисленията показват следните максимални дължини на кабелите при захранващо напрежение от 240 V:

Максимална дължина на кабела [м]

Двигател (P2)	I_N [A]	Размер на захранващия кабел					
		1,5 мм ²	2,1 мм ² / 14 AWG	2,5 мм ²	3,3 мм ² / 12 AWG	4 мм ²	6 мм ²
0,7	5,2	80	112	133	176	213	320
1,15	8,4	50	69	83	109	132	198
1,68	11,2	37	52	62	82	99	149
1,85	12	35	49	58	76	92	139

6.7 Свързване на потопяем кабел

Препоръчва се кабелът от двигателя да се свързва с потопяем кабел с помощта на кабелна връзка Grundfos тип KM.

Кабелна връзка тип KM	
Напречно сечение	Продуктов номер
от 1,5 до 6 мм ²	96021473

За по-големи напречни сечения моля, свържете се с Grundfos.

6.8 Връзка с тръбопровода

Ако за монтиране на нагнетателния тръбопровод към помпата се използва тръбен ключ, той трябва да се захваща за нагнетателната камера на помпата.

Когато се монтират еластични тръби, между помпата и тръбопровода трябва да се постави компенсаторен съединител.

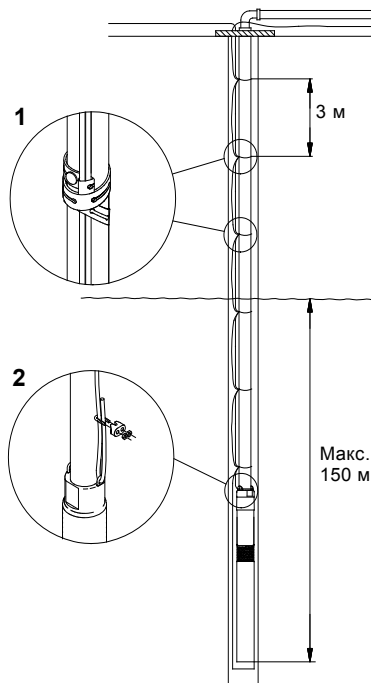


При монтаж с еластични тръби трябва да се вземе предвид разширението на тръбите при работа, за да се определи точната дълбочина на монтажа.

Когато се монтират **фланцови тръби**, фланците трябва да се прорежат, за да могат да поемат потопяемия кабел.

Монтирана помпа е показана на фиг. 11, от която е видно следното:

- Мястото на кабелните скоби, позиция 1, и разстоянието между тях.
- Монтаж на спускателен кабел, позиция 2.
- Максималната дълбочина на монтажа под статичното водно ниво.



Фиг. 11

6.8.1 Кабелни скоби

Кабелните скоби трябва да се поставят на всеки 3 метра, виж фиг. 11.

Когато се монтират **еластични тръби** трябва да се предвиди известна хлабина на кабела между скобите, поради разширението на еластичните тръби при работа.

Когато се монтират **фланцови тръби**, кабелните скоби трябва да се поставят преди и след всеки фланец.

TM01 0480 4397

6.8.2 Дълбочина на монтиране

Максималната дълбочина на монтиране е 150 м под статичното водно ниво, виж фиг. 11.

Минимална дълбочина на монтиране под динамичното водно ниво е:

- **Вертикален монтаж:**
Помпата трябва винаги да е напълно потопена по време на пуска и работата.
- **Хоризонтален монтаж:**
Помпата трябва да е потопена минимум 0,5 м под динамичното водно ниво.
Ако има опасност от засмукване на кал, помпата трябва да се монтира в специален кожух.

6.8.3 При спускане на помпата в кладенеца

Препоръчва се да се подсигури помпата с ненапрегнат спускателен кабел, виж фиг. 11, позиция 2.

Отпуснете спускателния кабел така, че да не бъде натоварен и го фиксирайте към капака на кладенеца с помощта на кабелни скоби.



Спускателния кабел не трябва да се използва за изваждане на помпата с нагнетателния тръбопровод.



Не вдигайте или спускайте помпата с помощта на кабела от двигателя.

7. Пуск

Уверете се, че в кладенеца има и че той е способен да доставя достатъчно количество вода, съгласно нуждите на помпата.

Не пускайте помпата преди тя да е напълно потопена.

Пуснете помпата и не я спирайте, докато изпомпваната вода не е напълно чиста, иначе е възможно запушване на помпата и смукателния клапан.

8. Работа

8.1 Минимален дебит

За да се осигури необходимото охлаждане на двигателя, минималният дебит не трябва да е по-малък от 50 л/ч.

Ако дебита внезапно намалее причината може да е в това, че помпата изпомпва повече от доставяния от кладенеца дебит. В такъв случай помпата трябва да се спре и да се отстрани неизправността.



Защита на помпата от работа на сухо е възможна само в границите на препоръчителния диапазон на помпата.

8.2 Избор на разширителен съд и настройка на предварителното налягане и на пресостата

ПРЕДУПРЕЖДЕНИЕ



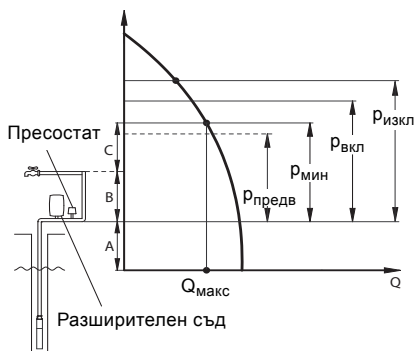
Система под налягане

Смърт или тежки наранявания

- Инсталацията трябва да се проектира за най-високото налягане на помпата.

Поради това, че в помпата има вграден "плавен" пуск от 2 сек., налягането в пресостата и разширителния съд е по-малко от настроеното за изключване налягане на пресостата ($P_{вкл}$). Това по-ниско налягане се нарича минимално налягане ($P_{мин}$).

Налягането $P_{мин}$ е равно на сбора от проектното минимално налягане в най-високата чешма и напор + загубите в тръбите, пресостата и разширителния съд ($P_{мин} = B + C$), виж фиг. 12.



Фиг. 12

- A: Напор + загуби от динамичното водно ниво до разширителния съд.
- B: Напор + загуби от разширителния съд до най-високата чешма.
- C: Минимално налягане в най-високата чешма.



Уверете се, че избраната помпа може да достави налягане по-високо от $P_{изкл} + A$.

- $P_{предв}$: Предварително налягане в разширителния съд.
- $P_{мин}$: Желано минимално налягане.
- $P_{вкл}$: Налягане на включване на пресостата.
- $P_{изкл}$: Налягане на изключване на пресостата.
- $Q_{макс}$: Максимален дебит при $P_{мин}$.

TM00 6445 3795

8.3 Претоварване по налягане на системата от кладенеца

За да осигурите защита срещу свръхналягане, инсталирайте предпазен вентил за налягане в правопоток на напора на кладенеца. Точката на настройка на предпазния вентил за налягане трябва да е поне с 30 psi (2 bar) над настройката за налягането.

Ако инсталирате предпазен вентил, препоръчваме ви да го свържете към подходяща точка за източване.

В таблицата по-долу можем да изберем наляганята за настройка на пресостата, като използваме $P_{\text{мин}}$ и $Q_{\text{макс}}$, **минималния** размер на разширителния съд и предварителното налягане в разширителния съд.

Пример:

$P_{\text{мин}} = 35$ м напор, $Q_{\text{макс}} = 2,5$ м³/ч.

На база на тази информация можем да изберем следните данни от таблицата по-долу:

Минимален размер на разширителния съд = 33 л.

$P_{\text{предв}} = 31,5$ м напор.

$P_{\text{вкл}} = 36$ м напор.

$P_{\text{изкл}} = 50$ м напор.

$P_{\text{мин}}$ [М]	$Q_{\text{макс}}$ [М ³ /ч]																	$P_{\text{предв}}$ [М]	$P_{\text{вкл}}$ [М]	$P_{\text{изкл}}$ [М]	
	0,6	0,8	1	1,2	1,5	2	2,5	3	3,5	4	4,5	5	5,5	6	6,5	7	7,5				8
Големина на разширителния съд [л]																					
25	8	8	18	18	18	18	24	33	33	50	50	50	50	80	80	80	80	80	22,5	26	40
30	8	8	18	18	18	24	33	33	50	50	50	50	80	80	80	80	80	27	31	45	
35	8	18	18	18	18	24	33	33	50	50	50	80	80	80	80	80	31,5	36	50		
40	8	18	18	18	18	24	33	50	50	50	80	80	80	80	80	36	41	55			
45	8	18	18	18	24	33	33	50	50	50	80	80	80	80	40,5	46	60				
50	8	18	18	18	24	33	50	50	50	80	80	80	80	45	51	65					
55	18	18	18	18	24	33	50	50	50	80	80	80	49,5	56	70						
60	18	18	18	18	24	33	50	50	80	80	80	80	54	61	75						
65	18	18	18	24	24	33	50	50	80	80	80	80	58,5	66	80						

1 м напор = 0,098 bar.

8.4 Вградени защиты

В двигателя е вграден електронен блок, който го защитава от различни въздействия.

В случай на претоварване, вградената защита от претоварване спира помпата за 5 минути.

След този срок помпата прави опит за пуск.

Ако помпата е спряла в резултат на работа на "сухо", тя автоматично ще направи опит за пуск след 5 минути.

Ако помпата се рестартира и сондажът е празен, помпата ще спре след 30 секунди.

Пренастройка на помпата: Изключете помпата от електрическото захранване за 1 минута.

Двигателят на помпата е защитен от:

- Работа на сухо
- Пикове в напрежението (до 6000 V)
В зони с висока интензивност на гръмотевици е необходимопоставянето на защита от гръм.
- Свръхнапрежение
- Поднапрежение
- Претоварване и
- Прегряване.

Помпа SQE/Двигател MSE 3:



Чрез използването на CU 300 или CU 301 може да се настрои времето за спиране на помпата при режим на работа на сухо.

9. Поддръжка и сервизно обслужване

Тези помпи не се нуждаят от поддръжка.

Може да се появят наноси и износване. За тази цел можете да намерите сервизни инструменти и сервизни пакети в Grundfos. Инструкцията за сервизно обслужване също можете да намерите в Grundfos.

Помпите могат да бъдат сервизно обслужени в сервизния център на Grundfos.

9.1 Замърсени помпи



Свържете се с Grundfos с подробности относно типа на използваната течност и др. преди да поискате сервизно обслужване от Grundfos. Иначе сервизното обслужване може да Ви бъде отказано.

Помпата се класифицира, като замърсена, ако е използвана за вредящи на здравето или отровни течности.

Всяка заявка за сервизно обслужване трябва да включва подробности за използваната течност, ако тя е вредна за здравето или отровна.

SQE-NE: Само помпи които са незамърсени, т.е. помпи несъдържащи вредни или отровни вещества могат да бъдат върнати на Grundfos за сервизно обслужване.

Документ деклариращ, че помпата е чиста се изисква с цел отстраняване на риска за здравето на обслужващия персонал, както и замърсяване на околната среда.

Този документ трябва да бъде получен в Grundfos преди помпата, иначе Grundfos ще откаже да приеме помпата за сервизно обслужване.

Евентуални разходи за обратен транспорт на помпата се поемат от Клиента.

9.2 Резервни части/принадлежности

Обръщаме специално внимание, че недоставени от нас резервни части и принадлежности не се проверяват от нас и не носим отговорност.

Вграждането и/или използването на подобни продукти, би могло при определени случаи да повлияе негативно върху конструктивно зададените качества на помпата и да ги влоши.

За щети, произтекли от използване на неоригинални резервни части и окомплектовка, Grundfos не носи никаква отговорност и гаранция.

Повреди, които не могат да се отстранят самостоятелно, трябва да се отстраняват в сервиза на Grundfos или оторизирани специализирани фирми.

При повреда, моля посочете точно описание, за да може нашият сервизен техник да се подготви и да вземе необходимите му резервни части.

Техническите данни за инсталацията вижте от табелката на помпата.

10. Схема за откриване на нередности

ВНИМАНИЕ

Електрически удар

Може да доведе до леки или средни наранявания



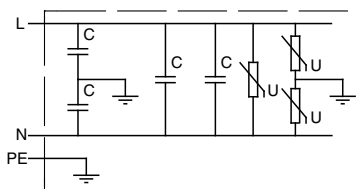
- Преди да започнете работа по помпата, убедете се че електрическото захранване е изключено и не може да бъде включено случайно.

Нередност	Причина	Отстраняване
1. Помпата не работи.	a) Бушоните на ел. инсталацията са изгорели.	Сменете предпазителите. Ако пак изгорят, проверете кабелите или електрическото захранване за неизправности.
	b) Изключил заземителен прекъсвач.	Включете заземителния прекъсвач.
	c) Няма електрическо захранване.	Свържете се с отговорните власти.
	d) Включена защита на двигателя поради претоварване.	Проверете дали двигателя или помпата не е блокирала.
	e) Дефектен кабел на двигателя или потопяем кабел.	Поправете (сменете) помпата (кабела).
	f) Възникнало е под- или над-напрежение.	Проверете електрическото захранване.
2. Помпата работи, но не доставя вода.	a) Затворен кран на нагнетателната страна.	Отворете крана.
	b) Нивото на вода в кладенеца е ниско или няма вода.	Виж т. 3 А).
	c) Смукателния клапан е блокирал в затворено положение.	Извадете помпата и почистете/сменете клапана.
	d) Замърсен смукателен филтър.	Извадете помпата и почистете филтъра.
	e) Помпата е дефектна.	Поправете/сменете помпата.
3. Помпата работи с малмен капацитет.	a) Помпата доставя повече течност от необходимото.	Увеличете инсталационната дълбочина, дроселирайте потока или сменете помпата с по-малък типоразмер за да получите по-малък дебит.
	b) Крановете в нагнетателната тръба са частично затворени/блокирали.	Проверете и ако е необходимо почистете/сменете крановете.
	c) Нагнетателната тръба е частично задръстена с мърсотии /охра/.	Почистете/сменете нагнетателната тръба.
	d) Обратния клапан на помпата е частично блокирал.	Извадете помпата и почистете/сменете обратния клапан.
	e) Помпата и изходящата тръба са частично блокирани от мърсотии /охра/.	Извадете помпата. Проверете и почистете помпата. Почистете тръбите.
	f) Помпата е дефектна.	Поправете/сменете помпата.
	g) Утечки по тръбопровода.	Проверете и поправете тръбопровода.
	h) Изходящата тръба е дефектна.	Сменете изходящата тръба.
	i) Поява на поднапрежение.	Проверете електрическото захранване.

Нередност	Причина	Отстраняване
4. Помпата тръгва и спира твърде често.	a) Разликата в настройката на пресостата е твърде малка.	Увеличете разликата, като съблюдавате налягането на изключване да е по-малко или равно на допустимото налягане в разширителния съд и налягането на включване да е по-високо или равно на минималното желано налягане в системата.
	b) Датчиците за ниво в резервоара не са монтирани правилно.	Настройте разликата в датчиците за ниво в резервоара, така че да осигури необходимото включване и изключване на помпата. Проверете инструкциите за монтаж и работа на използваните автоматични устройства. Ако разликата между пускането и спирането на помпата не може да се осигури чрез автоматиката, потока на помпата може да се регулира чрез дроселиране през кран в нагнетателната част.
	c) Обратния клапан изпуска или е блокирал в полуотворено положение.	Извадете помпата и почистете/сменете обратния клапан.
	d) Захранващото напрежение е нестабилно.	Проверете електрическото захранване.
	e) Температурата на двигателя се покачва твърде бързо.	Проверете температурата на водата.

10.1 Измерване на изолация

Измерването на изолацията на инсталация, съдържаща помпа тип SQ/SQE не се позволява, поради възможност от повреда на вградената в помпата електроника, виж фиг. 13.



TM02 0689 5000

Фиг. 13

11. Проверка на електрическото захранване

ПРЕДУПРЕЖДЕНИЕ

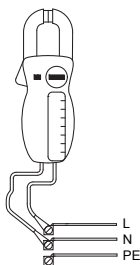
Електрически удар

Смърт или тежки наранявания



- Преди да започнете работа по помпата, убедете се че електрическото захранване е изключено и не може да бъде включено случайно.

1. Захранващо напрежение



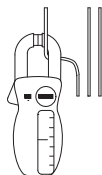
TM00 1371 4904

Измерете напрежението (RMS) между фазите и нустралата. Свържете волтметъра към клемите, както е показано на схемата.

Когато двигателя е натоварен напрежението трябва да е в границите определени от раздел 5. *Електрическо свързване*.

Големи вариации на електрическото захранване говори за нередности в захранването и помпата трябва да бъде спряна до отстраняване на повредите.

2. Консумация на ток



TM00 1372 5082

Измерете тока (RMS) докато помпата работи при постоянен напор (ако е възможно при дебит при който помпата е най-натоварена).

За най-висок ток виж табелата на двигателя.

Ако тока превишава пълния ток при натоварване може да има някоя от следните повреди:

- Лоша връзка, най-вероятно в кабелите.
- Твърде ниско захранващо напрежение, виж т. 1.

12. Околна среда

По време на работа, съхранение или транспорт трябва да се съблюдават правилата за опазване на околната среда.

ПРЕДУПРЕЖДЕНИЕ

Корозионно вещество

Смърт или тежки наранявания



- Когато помпата се спира от работа трябва да се уверим, че в помпата, двигателя и изходящата тръба не са останали продукти, които могат да увредят здравето или да замърсят околната среда.

В случай на съмнение, моля, свържете се с Grundfos или с най-близките местни власти.

13. Отстраняване на отпадъци

Отстраняването на този продукт или части от него, като отпадък, трябва да се извърши по един от следните начини, съобразени с екологичните разпоредби:

1. Използвайте местната държавна или частна служба по събиране на отпадъците.
2. Ако това не е възможно, свържете се с най-близкият офис или сервиз на Grundfos.

Фирмата си запазва правото на технически промени.

OBSAH

	Strana
1. Symboly použité v tomto návodu	35
2. Obecné informace	36
2.1 Použití	36
3. Technické parametry	37
3.1 Skladování	37
3.2 Provozní hlučnost	37
4. Příprava k montáži	37
4.1 Plnění motoru kapalinou	37
4.2 Požadavky na instalační polohu	38
4.3 Teplota čerpané kapaliny/chlazení	38
5. Elektrická přípojka	39
5.1 Všeobecně	39
5.2 Jištění motoru	39
5.3 Přípojka motoru	39
6. Instalace	40
6.1 Všeobecně	40
6.2 Smontování čerpadla a motoru	40
6.3 Odstranění zpětného ventilu	40
6.4 Instalace kabelové zástrčky na motoru	41
6.5 Instalace ochranné lišty kabelu	41
6.6 Dimenzování kabelu	42
6.7 Instalace ponorného přívodního kabelu	43
6.8 Potrubní přípojka	43
7. Uvedení do provozu	44
8. Provoz	44
8.1 Minimální průtok	44
8.2 Volba membránové tlakové nádoby a nastavení plnicího tlaku a tlakového spínače	44
8.4 Zabudovaná ochrana	46
9. Údržba a servis	46
9.1 Kontaminovaná čerpadla	46
10. Závady, příčiny závad a jejich odstranění	47
10.1 Měření	48
11. Kontrola elektrického napájení	49
12. Ochrana životního prostředí	49
13. Likvidace výrobku	49



Před instalací si přečtěte tento dokument. Při instalaci a provozování je nutné dodržovat místní předpisy a uznávané osvědčené postupy.



Toto zařízení mohou používat děti od osmi let a osoby se sníženými fyzickými, vjemovými nebo mentálními schopnostmi nebo s nedostatkem zkušeností a znalostí, jestliže jsou pod dozorem nebo byly poučeny o bezpečném používání zařízení a rozumí možným rizikům.

Se zařízením si nesmějí hrát děti. Čištění a údržbu zařízení nesmějí provádět děti bez dozoru.

1. Symboly použité v tomto návodu

NEBEZPEČÍ



Označuje nebezpečnou situaci, která (pokud se jí nepředejde) bude mít za následek smrt nebo újmu na zdraví.

VAROVÁNÍ



Označuje nebezpečnou situaci, která (pokud se jí nepředejde) by mohla mít za následek smrt nebo újmu na zdraví.

UPOZORNĚNÍ



Označuje nebezpečnou situaci, která (pokud se jí nepředejde) by mohla mít za následek menší nebo střední újmu na zdraví.

Text doprovázející tři symboly nebezpečí NEBEZPEČÍ, VAROVÁNÍ a UPOZORNĚNÍ bude strukturován následujícím způsobem:

SIGNÁLNÍ SLOVO



Popis nebezpečí

Následky ignorování varování.
- Akce, jak nebezpečí předejít.



Modrý nebo šedý kruh s bílým grafickým symbolem označuje, že je nutná akce, aby se předešlo nebezpečí.



Červený nebo šedý kruh s diagonálním přeškrtnutím, a případně černým grafickým symbolem, označuje, že se akce nesmí provést nebo že musí být zastavena.



Pokud nebudou tyto pokyny dodrženy, mohlo by dojít k poruše nebo poškození zařízení.



Tipy a zařízení k usnadnění práce.

2. Obecné informace

VAROVÁNÍ



Úraz elektrickým proudem

Smrt nebo závažná újma na zdraví
- Čerpadlo se nesmí použít, pokud jsou ve vodě lidé.

Na str. 412 těchto montážních a provozních předpisů je vyobrazen typový štítek čerpadla a typový štítek motoru.

Před spuštěním čerpadla SQ/SQE do vrtu doplňte do štítků příslušné parametry.

Tyto montážní a provozní předpisy uchovávejte na suchém místě poblíž místa instalace tak, aby z nich v případě potřeby bylo možno získat příslušné údaje.

2.1 Použití

Čerpadla **SQ** a **SQE** jsou určena pro čerpání řídkých, čistých, neagresivních a nevybušných kapalin, které neobsahují mechanické ani vláknité nečistoty.

Typické příklady použití:

- Dodávka vody z podzemních zdrojů pro
 - rodinné domy,
 - malé vodárny,
 - malé závlahové soustavy např. ve sklenicích.
- Přečerpávání kapalin v nádržích.
- Zvyšování tlaku.

Čerpadla **SQE-NE** jsou navržena pro čerpání řídkých, čistých, neagresivních a nevybušných kapalin, které neobsahují mechanické ani vláknité nečistoty.

Tato čerpadla jsou vhodná pro čerpání kontaminované spodní vody popř. spodní vody obsahující kyselé uhličitany, jejichž zdrojem jsou např.

- skládky odpadu
- skládky chemikálií
- průmyslové oblasti
- benzinové stanice
- zařízení pro ochranu životního prostředí.

Čerpadla **SQE-NE** lze rovněž použít ke vzorkování a monitorování a do jisté míry také v rámci úpraven vody.

Informace týkající se všech typů čerpadel:

Přípustný maximální obsah písku v čerpané kapalině nesmí překročit 50 g/m³. Vyšší obsah písku má za následek snížení doby životnosti čerpadla a zvýšení rizika jeho zadření.



Jestliže má čerpadlo čerpat kapalinu o viskozitě vyšší než je viskozita vody, obraťte se laskavě na firmu Grundfos.

Hodnoty pH:

Pro čerpadla SQ a SQE: 5 až 9.

Pro čerpadla SQE-NE: Dle informací fy Grundfos.

Teplota čerpané kapaliny:

Teplota čerpané kapaliny nesmí převýšit 35 °C.

3. Technické parametry

Napájecí napětí:

1 x 200-240 V - 10 %/+ 6 %, 50/60 Hz, PE.
Provoz na nouzový elektrický zdroj: výkon nouzového generátoru elektrického proudu se musí rovnat minimálně příkonu motoru P_1 [kW] + 10 %.

Rozběhový proud:

Rozběhový proud motoru se rovná nejvyšší hodnotě proudu uvedené na typovém štítku motoru.

Účinník:

PF = 1.

Motorová kapalina:

Typ SML 2.

Kabel motoru:

1,5 m, 3 x 1,5 mm², PE.

Teplota čerpané kapaliny:

Max. 35 °C.

Velikost výtláčného hrdla čerpadla:

SQ 1, SQ 2, SQ 3: Rp 1 1/4.

SQ 5, SQ 7: Rp 1 1/2.

Průměr tělesa čerpadla:

74 mm.

Průměr vrtu:

Min. 76 mm.

Instalační hloubka:

Max. 150 m pod úroveň statické hladiny vody.
Viz též odst. [6.8.2 Instalační hloubky](#).

Hmotnost netto:

Max. 6,5 kg.

3.1 Skladování

Teplota při skladování: -20 °C až +60 °C.

3.1.1 Ochrana proti mrazu

Pokud je nutné čerpadlo po použití uskladnit, musí být uskladněno v prostorách, které nepromrzají. Pokud taková možnost uskladnění není, musí být motor naplněn nemrznoucí kapalinou.

Motor se nesmí skladovat bez kapalinové náplně.

3.2 Provozní hlučnost

Provozní hlučnost čerpadla je nižší než kolik činí mezní hodnoty dané směrnici rady ES č.

2006/42/EG pro průmyslová zařízení.

4. Příprava k montáži

Ponorné motory Grundfos MS 3 a MSE 3 mají kluzná ložiska mazaná vodou. Není nutné žádné dodatečné mazání.

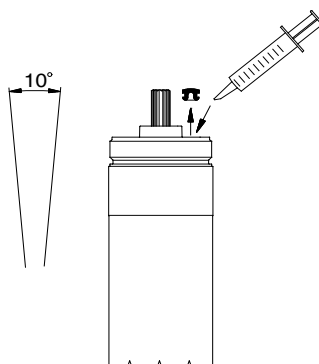
Tyto ponorné motory jsou ve výrobním závodě opatřeny speciální motorovou kapalinovou náplní Grundfos (typu SML 2), která je odolná proti mrazu až do teploty -20 °C a obsahuje přísady zamezující růstu bakterií. Výška hladiny motorové kapaliny má rozhodující vliv na provozní životnost ložisek a tedy i na celkovou životnost motoru.

4.1 Plnění motoru kapalinou

Jestliže z různých důvodů motorová kapalina vytekla nebo se ztratila, motor se musí naplnit kapalinou Grundfos SML 2.

Při plnění postupujte takto:

1. Sejměte ochrannou lištu kabelu a čerpadlo oddělte od motoru.



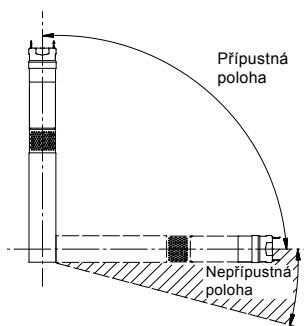
Obr. 1

2. Motor postavte do svislé polohy se sklonem přibližně 10 °.
3. Pomocí šroubováku nebo podobného nástroje vyšroubujte zátku plnicího otvoru.
4. Pomocí ruční plnicí stříkačky nebo podobného přístroje naplňte motor motorovou kapalinou.
5. Motor nyní nahýbejte ze strany na stranu, aby z něj mohl unikát vzduch.
6. Na plnicí otvor nasadte zátku a pevně ji zašroubujte.
7. Motor smontujte s čerpadlem.
8. Nasadte ochrannou lištu přívodního kabelu. Čerpadlo je nyní připraveno k instalaci.

TM02 9606 3504

4.2 Požadavky na instalační polohu

Čerpadlo je vhodné pro instalaci ve svislé i ve vodorovné poloze. Poloha jeho hřídele však **nesmí** být nikdy pod horizontální rovinou. Viz obr. 2.



Obr. 2

V případě instalace čerpadla v horizontální poloze, kdy je rychlost proudění kapaliny kolem motoru nedostatečná k jeho chlazení, resp. kdy dochází k zaboření čerpadla do písku a bahna, musí být čerpadlo umístěno do chladicího pláště.

Hloubka instalace, viz. [6.8.2 Instalační hloubky](#).

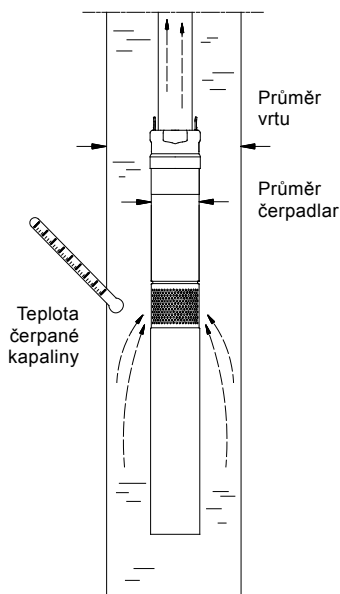
4.3 Teplota čerpané kapaliny/chlazení

Obr. 3 ukazuje čerpadlo SQ/SQE umístěné ve vrtu. Čerpadlo je v provozu.

Obr. 3 zobrazuje následující parametry:

- průměr čerpacího vrtu
- průměr čerpadla
- teplota čerpané kapaliny
- proudění kapaliny kolem motoru do sacího koše čerpadla.

TM01 1375 4397



Obr. 3

K zajištění dostatečného chlazení motoru je důležité udržovat maximální teplotu kapaliny pod 35 °C za všech podmínek.



Obecně musí být průměr vrtu minimálně 76 mm (tj. cca 3").

Motor instalujte vždy nad filtrem vrtu. Pokud je použit sací plášť, může být čerpadlo umístěno ve vrtu kdekoliv.



Čerpadlo nenechávejte nikdy běžet proti zavřené armatuře ve výtláčném potrubí po dobu delší než 5 minut. Uzavřené výtláčné potrubí zabraňuje proudění kapaliny, které je potřebné ke chlazení čerpadla, což s sebou nese riziko přehřátí motoru a čerpadla.

Jestliže je aktuální teplota čerpané kapaliny vyšší než specifikovaná přípustná hodnota nebo jestliže se provozní podmínky vymykají jinak jmenovitým hodnotám, může dojít k odstavení čerpadla z provozu. V takovém případě se laskavě obraťte na fy Grundfos.

TM01 0518 1297

5. Elektrická přípojka

5.1 Všeobecně

Elektrickou přípojku a jištění musí provést výhradně odborník s příslušnou elektrotechnickou kvalifikací v souladu s platnými předpisy.

VAROVÁNÍ

Úraz elektrickým proudem

Smrt nebo závažná újma na zdraví

- Před zahájením práce na čerpadle se přesvědčte, zda je přívod elektrického proudu vypnut a zajištěn proti náhodnému zapnutí.
- Čerpadlo musí být uzemněno.
- Čerpadlo musí být připojeno na externí síťový vypínač s minimální mezerou mezi kontakty 3 mm na všech pólech.
- Jestliže je napájecí síťový kabel poškozen, musí být vyměněn v servisu Grundfos nebo Grundfosem autorizovaným servisem, aby se vyloučila všechna možná rizika.



Údaje o napájecím napětí, jmenovitém maximálním proudu a účinniku (PF) jsou uvedeny na typovém štítku motoru.

Tolerance napětí požadovaného pro ponorné motory Grundfos, při měření na svorkách motoru, činí - 10 %/+ 6 % z hodnoty jmenovitého napětí při nepřetřžitém provozu (včetně kolísání napájecího napětí a ztrát v přívodních kabelech).

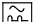
VAROVÁNÍ

Úraz elektrickým proudem

Smrt nebo závažná újma na zdraví

- Pokud je čerpadlo připojeno na elektrickou instalaci, u níž je předřazen proudový chránič, **musí** tento chránič vypínat při výskytu poruchových proudů se stejnosměrnou složkou (pulzující stejnosměrný proud).



Použité proudové chrániče **musí** být označeny následujícím symbolem: .

Napájecí napětí:

1 x 200-240 V - 10 %/+ 6 %, 50/60 Hz, PE.

Proudový odběr lze měřit jen přesným měřicím přístrojem pro měření nesinusových proudů (RMS). V případě použití jiných přístrojů se budou naměřené hodnoty lišit od hodnot skutečných.

Na čerpadlech SQ/SQE může být naměřen svodový/unikající proud 2,5 mA při 230 V, 50 Hz.

Svodový proud je úměrný napájecímu napětí.

Čerpadla SQE a SQE-NE mohou být připojena na ovládací spínací jednotku typu CU 300 nebo CU 301.



Čerpadlo nesmí být nikdy připojeno na kondenzátor nebo na jinou ovládací jednotku než CU 300 nebo CU 301.

Čerpadlo nesmí být nikdy připojeno na externí měnič kmitočtu.

5.2 Jištění motoru

Motor je vybaven tepelnou nadproudovou ochranou a nevyžaduje žádnou další motorovou ochranu.

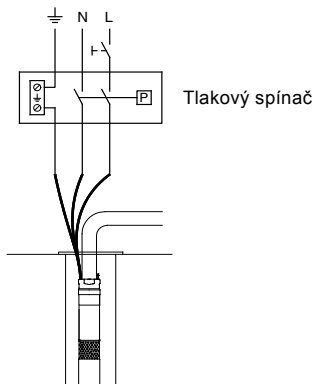
5.3 Přípojka motoru

Motor je vybaven spouštěčem a může být proto připojen přímo na elektrickou rozvodnou síť.

Zapínání a vypínání čerpadla je obvykle řízeno pomocí tlakového spínače. Viz obr. 4.



Tlakový spínač musí být dimenzován na maximální proud (A) odpovídající příslušné velikosti čerpadla.



Obr. 4

6. Instalace

6.1 Všeobecně

VAROVÁNÍ

Úraz elektrickým proudem

Smrt nebo závažná újma na zdraví



- Před zahájením práce na čerpadle se přesvědčte, zda je vypnut přívod elektrického proudu a zajištěn proti náhodnému zapnutí.



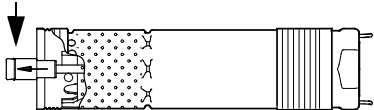
Nespouštějte čerpadlo do vrtu ani je nevytahujte pomocí přívodního elektrického kabelu motoru.

Volný štítek dodávaný spolu s čerpadlem doplňte příslušnými parametry a umístěte v blízkosti provozního stanoviště čerpadla.

6.2 Smontování čerpadla a motoru

Při montáži čerpadla a motoru postupujte takto:

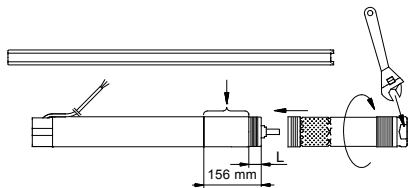
1. Motor upevněte ve vodorovné poloze ve svěráku. Viz obr. 6.
2. Vytáhněte hřídel čerpadla do pozice podle obr. 5.



Obr. 5

3. Konec hřídele motoru namažte dodávaným tukem.
4. Čerpadlo přišroubujte k motoru (55 Nm).
Poznámka: Hřídel čerpadla musí zapadat do hřídele motoru.
Maticový klíč k utažení nasadíte na upínací plochy čerpadla k tomu určené. Viz obr. 6.

TM02 8425 5203



Obr. 6

TM01 2854 2299

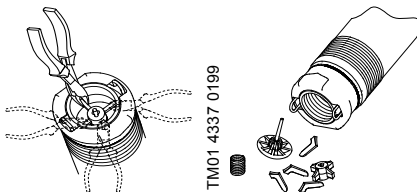
Motor (P2) [kW]	L [mm]
0,70	120
1,15	102
1,68	66
1,85	66

Při správném smontování čerpadla a motoru nesmí zůstat mezi čerpadlem a motorem žádná mezera.

6.3 Odstranění zpětného ventilu

V případě, že je požadováno čerpadlo bez zpětného ventilu, lze ventil odstranit následujícím způsobem:

1. S použitím vhodného nástroje odstříhnout nožky vedení ventilu. Viz obr. 7.
2. Obrátit čerpadlo horní částí dolů.
3. Zkontrolovat, zda všechny uvolněné části vypadly z čerpadla.



Obr. 7

TM01 4337 0199

TM01 4338 0199



Čerpadlo SQE-NE je dodáváno bez zpětného ventilu.

Opětovné namontování zpětného ventilu Vám může provést servis Grundfos.

6.4 Instalace kabelové zástrčky na motoru

VAROVÁNÍ

Úraz elektrickým proudem

Smrt nebo závažná újma na zdraví



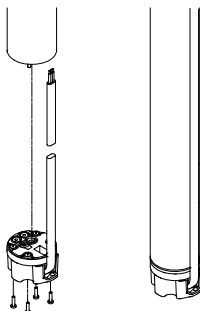
- Vidlice síťového kabelu nesmí být v žádném případě vyměňována uživatelem.
- Kabel se zástrčkou musí být připojen nebo demontován autorizovanou servisní dílnou Grundfos nebo stejně kvalifikovanou osobou.

Následující popis je výhradně určen pro pracovníky servisu. Při výměně kabelu, viz oddíl [5.1 Všeobecně](#).

Kabelová zástrčka dodávána spolu s motorem je ve výrobním závodě opatřena tukem. Zkontrolujte správné nanesení tukové vrstvy.

Zástrčku kabelu instalujte níže uvedeným postupem:

1. Zkontrolujte, zda použitý typ, průřez a délka kabelu odpovídají daným provozním požadavkům.
2. Zkontrolujte, zda je u síťových přípojek na stanovišti čerpadla správně provedeno zemní spojení.
3. Zkontrolujte, zda je zásuvka motoru čistá a suchá. Ujistěte se, zda bylo vloženo zpět uvolněné těsnění.
4. Vtiskněte kabelovou zástrčku do zásuvky motoru. Zástrčku nesmíte nasadit nesprávně. Viz obr. 8.



Obr. 8

5. Nasadte a utáhněte čtyři šrouby (1 - 1,5 Nm), Viz obr. 8.

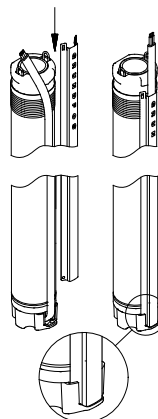
Po dokončené instalaci kabelové zástrčky nesmí zůstat mezi motorem a zástrčkou žádná volná mezera.

TM02 9605 3504

6.5 Instalace ochranné lišty kabelu

Ochrannou lištu kabelu instalujte následujícím způsobem:

1. Přesvědčte se, že kabel je v ochranné liště uložen naplocho.
2. Umístí ochrannou lištu kabelu do drážky kabelové zástrčky. Horní konec okrajových ploch ochranné lišty kabelu musí být v jedné rovině s horním koncem pláště tělesa čerpadla. Viz obr. 9.



Obr. 9

3. Ochrannou lištu kabelu upevněte dvěma závitovými šrouby (součást dodávky) k sacím košům čerpadla. Viz obr. 10.



Obr. 10

TM02 9613 3504

TM01 4427 0299

6.6 Dimenzování kabelu

Grundfos může dodat ponorné přívodní kabely pro jakýkoliv typ instalace.

Průřez ponorného přívodního kabelu musí být dostatečně velký, aby odpovídal parametru napájecího napětí podle odst. [5.1 Všeobecné](#).

Pozor

Níže uvedené tabulkové hodnoty jsou vypočteny z následující rovnice

$$q = \frac{I \times 2 \times 100 \times PF \times L \times \rho}{U \times \Delta U}$$

q = průřez ponorného přívodního kabelu [mm²].

I = jmenovitý maximální proud motoru [A].

PF = 1,0.

L = délka ponorného přívodního kabelu [m].

ρ = měrný odpor: 0,02 [Ωmm²/m].

U = jmenovité napětí [V].

ΔU = pokles napětí [%] = 4 %.

Hodnota poklesu napětí 4 % odpovídá ustanovení IEC 3-64, série HD-384.

Výpočtem dostaneme následující maximální délky kabelu při napájecím napětí 240 V:

		Maximální délka kabelu [m]					
Motor (P2)	I_N [A]	Velikost kabelu					
		1,5 mm ²	2,1 mm ² / 14 AWG	2,5 mm ²	3,3 mm ² / 12 AWG	4 mm ²	6 mm ²
[kW]							
0,7	5,2	80	112	133	176	213	320
1,15	8,4	50	69	83	109	132	198
1,68	11,2	37	52	62	82	99	149
1,85	12	35	49	58	76	92	139

6.7 Instalace ponorného přívodního kabelu

Doporučuje se spojit ponorný přívodní kabel s motorovým kabelem spojkou Grundfos, typ KM.

Sada kabelové spojky, typ KM

Průřez	Výrobek číslo
1,5 až 6,0 mm ²	96021473

V případě požadavku na větší průřez kabelu se laskavě obraťte na fy Grundfos.

6.8 Potrubní přípojka

Používá-li se při připojování výtlačného potrubí k čerpadlu nějaký nástroj, např. řetězový ůťahovák, je nutno manipulovat s čerpadlem pouze uchopením za jeho výtlačné těleso.

K připojení plastových trubek je nutno umístit mezi čerpadlo a první sekci potrubí přítláčnou spojku.

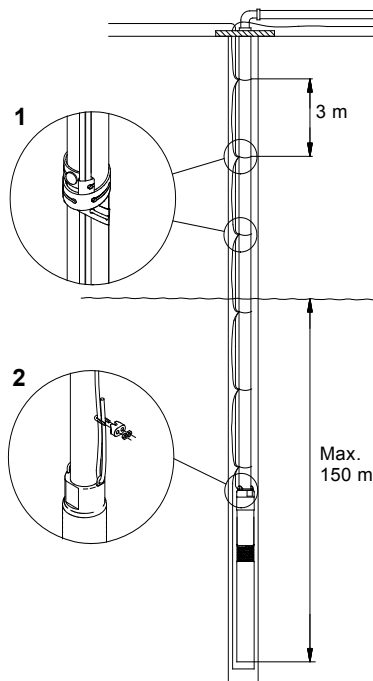


U čerpadel napojených na plastové potrubí je třeba při rozhodování o instalační hloubce čerpadla ve vrtu brát v úvahu prodloužení potrubí při zatížení.

V případech, kdy se používá přírubové potrubí, je třeba udělat v přírubách drážky k vedení ponorného přívodního kabelu, popř. hadice pro indikaci stavu vody, pokud bude použita.

Obr. 11 ukazuje instalaci čerpadla s následujícími údaji:

- použití kabelových úchytek, pol. 1, s uvedením vzdálenosti mezi jednotlivými úchytkami,
- umístění ocelové lanka, pol. 2,
- maximální instalační hloubka pod statickou vodní hladinou.



Obr. 11

6.8.1 Kabelové úchytky

Kabelové úchytky musí být použity ve vzdálenostech po 3 metrech. Viz obr. 11.

V případě použití plastového potrubí musí být mezi jednotlivými kabelovými úchytkami ponechána jistá vůle s ohledem na prodloužení plastových trubek při zatížení.

V případě použití přírubového potrubí se musí kabelové úchytky umístit nad a pod každým přírubovým spojem.

TM01 0480-4397

6.8.2 Instalační hloubky

Maximální instalační hloubka čerpadla pod úrovní statické vodní hladiny: 150 metrů, viz obr. 11.

Minimální instalační hloubka čerpadla pod úrovní dynamické hladiny vody:

- **V případě instalace čerpadla ve svislé poloze:** Při zapnutí a provozu musí být čerpadlo vždy zcela ponořeno ve vodě.
- **V případě instalace čerpadla ve vodorovné poloze:** Čerpadlo musí být umístěno a provozováno min. 0,5 m pod úrovní dynamické hladiny vody. Pokud existuje riziko zanesení čerpadla bahnem, musí být čerpadlo vždy vybaveno usměrňovacím sacím pláštěm.

6.8.3 Spuštění čerpadla do čerpacího vrtu

Při spouštění čerpadla do vrtu se doporučuje zajistit čerpadlo nezatíženým ocelovým lankem. Viz obr. 11, pol. 2.

Ocelové lanko povolte tak, aby na něm nebyla žádná zátěž, a upevněte je ve zhlaví vrtu pomocí drátěných spon.



Napájecí kabel nesmí být použit pro vytahování čerpadla s výtlačným potrubím z vrtu.



Při spouštění do vrtu ani při vytahování z vrtu nepřidržíte čerpadlo za přívodní kabel motoru.

7. Uvedení do provozu

Zkontrolujte, zda přítok vody do vrtu odpovídá minimální výkonu čerpadla.

Čerpadlo neuvádějte do provozu, dokud nebude zcela ponořeno v čerpané kapalině.

Zapněte čerpadlo a nechte je běžet, dokud nebude čerpaná kapalina zcela čistá, neboť jinak může dojít k ucpání čerpadla a zpětné klapky.

8. Provoz

8.1 Minimální průtok

K zajištění dostatečného chlazení motoru nesmí klesnout průtok vody pod 50 l/h.

Dojde-li k náhlému poklesu průtoku, může to být následkem toho, že čerpadlo čerpá více vody, než kolik činí kapacita vrtu. Čerpadlo pak musí být odstaveno z provozu a závada musí být odstraněna.



Ochrana proti běhu čerpadla nasucho je účinná pouze v rámci provozního rozsahu čerpadla.

8.2 Volba membránové tlakové nádoby a nastavení plnicího tlaku a tlakového spínače

VAROVÁNÍ



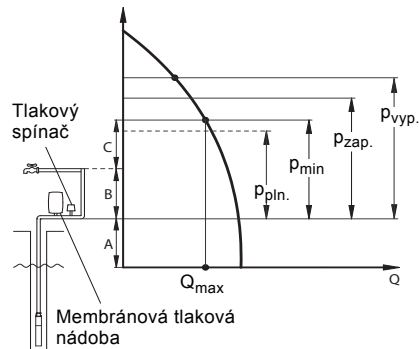
Uzavřená tlaková soustava

Smrt nebo závažná újma na zdraví

- Instalace musí být navržena na maximální tlak čerpadla.

Pročtože má čerpadlo vestavěný spouštěč pro měkký rozběh trvající 2 sekundy, bude tlak na tlakovém spínači a v membránové tlakové nádobě při náběhu čerpadla nižší než zapínací tlak čerpadla nastavený na tlakovém spínači ($p_{zap.}$). Tento nižší tlak se nazývá minimální tlak (p_{min}).

Tlak p_{min} se rovná požadovanému minimálnímu tlaku v nejvýše položeném odběrném místě + výšce a tlakové ztrátě v potrubí mezi tlakovým spínačem nebo membránovou tlakovou nádobou a nejvýše situovaným odběrným místem ($p_{min} = B + C$). Viz obr. 12.



Obr. 12

- A: Výška + tlaková ztráta od dynamické hladiny vody po membránovou tlakovou nádobu.
- B: Výška + tlaková ztráta od membránové tlakové nádoby po nejvýše položené odběrné místo.
- C: Minimální tlak v nejvýše položeném odběrném místě.



Zkontrolujte, zda zvolené čerpadlo může vyvinout tlak vyšší než vypínací tlak $p_{vyp.}$ + A.

$p_{pln.}$: plnicí tlak membránové tlakové nádoby.

p_{min} : požadovaný minimální tlak.

$p_{zap.}$: zapínací tlak nastavený na tlakovém spínači.

$p_{vyp.}$: vypínací tlak nastavený na tlakovém spínači.

Q_{max} : maximální průtok při p_{min} .

8.3 Přetížení tlaku v systému vrtu

Abyste zajistili ochranu proti přetlaku, umístěte přetlakový ventil ve směru průtoku hlavy vrtu. Nastavená hodnota přetlakového ventilu musí být nejméně o 30 psi vyšší než nastavení tlaku.

Při použití přetlakového ventilu jej doporučujeme připojit k vhodnému odvodnění.

S použitím hodnot p_{min} a Q_{max} naleznete v níže uvedené orientační tabulce **minimální** velikost membránové tlakové nádoby, její plnicí tlak a parametry k nastavení na tlakovém spínači:

Příklad:

$p_{min} = 35 \text{ m}$, $Q_{max} = 2,5 \text{ m}^3/\text{h}$.

Na základě této informace lze v tabulce najít následující hodnoty:

Minimální velikost membránové tlakové nádoby: 33 litrů.

$p_{pln.} = 31,5 \text{ m v.sl.}$

$p_{zap.} = 36 \text{ m v.sl.}$

$p_{vyp.} = 50 \text{ m v.sl.}$

p_{min} [m]	Q_{max} [m ³ /h]																$p_{pln.}$ [m]	$p_{zap.}$ [m]	$p_{vyp.}$ [m]		
	0,6	0,8	1	1,2	1,5	2	2,5	3	3,5	4	4,5	5	5,5	6	6,5	7				7,5	8
Velikost membránové tlakové nádoby [l]																					
25	8	8	18	18	18	18	24	33	33	50	50	50	50	80	80	80	80	80	22,5	26	40
30	8	8	18	18	18	24	33	33	50	50	50	50	80	80	80	80	80		27	31	45
35	8	18	18	18	18	24	33	33	50	50	50	80	80	80	80	80			31,5	36	50
40	8	18	18	18	18	24	33	50	50	50	80	80	80	80	80				36	41	55
45	8	18	18	18	24	33	33	50	50	50	80	80	80	80					40,5	46	60
50	8	18	18	18	24	33	50	50	50	80	80	80	80						45	51	65
55	18	18	18	18	24	33	50	50	50	80	80	80							49,5	56	70
60	18	18	18	18	24	33	50	50	80	80	80	80							54	61	75
65	18	18	18	24	24	33	50	50	80	80	80	80							58,5	66	80

1 m v.sl. = 0,098 baru.

8.4 Zabudovaná ochrana

Motor je vybaven elektronickou jednotkou, která jej chrání v různých provozních situacích.

V případě přetížení odstaví zabudovaná nadproudová ochrana čerpadlo na 5 minut z provozu. Po uplynutí této doby provede čerpadlo pokus o znovuvvedení do provozu.

Bylo-li čerpadlo odstaveno z provozu v důsledku běhu nasucho, naběhne po uplynutí 5 minut automaticky znovu do provozu.

Jestliže je čerpadlo restartováno a vrt je prázdný, čerpadlo se zastaví do 30 sekund.

Resetování čerpadla: vypnout na dobu 1 minuty přívod elektrického proudu.

Motor je chráněn v těchto případech:

- běh čerpadla nasucho
- napěťové rázy (až do 6000 V)
V oblastech s větší intenzitou blesků je vyžadována externí ochrana proti blesku.
- přepětí
- podpětí
- přetížení
- přehřátí.

Čerpadla SQE/motory MSE 3:



Vypínací limity běhu nasucho u motorů MSE 3 prostřednictvím jednotek CU 300 nebo CU 301, mohou být nastaveny v mnoha efektivních použitích.

9. Údržba a servis

Za normálních okolností nevyžadují čerpadla údržbu.

Může u nich docházet k zanášení a k opotřebení některých součástí. Proto fa Grundfos dodává servisní soupravy a nářadí.

Na požádání je možno rovněž obdržet předpisy pro provádění servisních prací (Grundfos Service Manual).

Servis čerpadel mohou provádět servisní střediska Grundfos.

9.1 Kontaminovaná čerpadla



Jestliže se čerpadlo používalo k čerpání kapaliny, která je toxická nebo jinak škodlivá lidskému zdraví, je takové čerpadlo považováno za kontaminované.

Pokud se v takovém případě uplatní u fy Grundfos požadavek na provedení servisu, je třeba předložit před odesláním čerpadla podrobný popis čerpané kapaliny, neboť jinak může Grundfos odmítnout převzít čerpadlo k provedení servisu.

Obecně platí, že každá objednávka servisních prací (bez ohledu na to, komu se předkládá) musí být doložena podrobnými informacemi o čerpané kapalině, pokud se čerpadlo používalo k dopravě toxických nebo zdraví škodlivých kapalin.

Čerpadla SQE-NE: K provedení servisu směji být fy Grundfos zasílána pouze čerpadla, která lze klasifikovat jako nekontaminovaná, tj. která neobsahují žádné nebezpečné ani toxické látky.

K prevenci újmy na zdraví osob a škod na životním prostředí je třeba předložit doklad osvědčující nezávadnost čerpadla.

Toto osvědčení musí Grundfos obdržet ještě před obdržením výrobku. V opačném případě Grundfos odmítne převzetí výrobku k provedení servisu.

Případně vzniklé náklady spojené s odesláním čerpadla nese zákazník.

10. Závady, příčiny závad a jejich odstranění

UPOZORNĚNÍ

Úraz elektrickým proudem

Menší nebo střední újma na zdraví



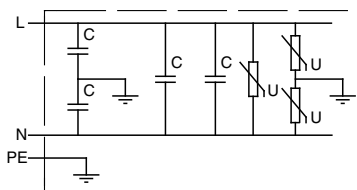
- Před zahájením práce na čerpadle se přesvědčte, zda je vypnut přívod elektrického proudu a zajištěn proti náhodnému zapnutí.

Porucha	Příčina	Odstranění poruchy
1. Čerpadlo nebeží.	a) Tavné pojistky v elektrické instalaci jsou spálené.	Vyměňte vadné pojistky. Pokud se nové pojistky opět přepálí, zkontrolujte elektroinstalaci a ponorný přívodní kabel.
	b) Aktivace proudového či napěťového jističe.	Jistič znovu zapněte.
	c) Přerušený přívod elektrického proudu.	Zajistěte opětovnou dodávku elektr. proudu.
	d) Motorová ochrana přerušila přívod el. proudu v důsledku přetížení.	Zkontrolujte, zda není zablokován motor, popř. čerpadlo.
	e) Vadný motor, popř. ponorný přívodní kabel.	Opravte popř. vyměňte motor, popř. ponorný přívodní kabel.
	f) Vyskytuje se přepětí nebo podpětí.	Zkontrolujte napájecí napětí.
2. Čerpadlo běží, ale nedodává vodu.	a) Zavřená armatura na výtlačku.	Otevřete armaturu na výtlačku.
	b) Ve vrtu není žádná voda nebo její hladina je příliš nízká.	Viz pol. 3 a).
	c) Zpětná klapka je zadřená v zavřené poloze.	Vytáhněte čerpadlo a vyčistěte, popř. vyměňte zpětnou klapku.
	d) Ucpané sací síto.	Vytáhněte čerpadlo a vyčistěte sací síto.
	e) Vadné čerpadlo.	Opravte, popř. vyměňte čerpadlo.
3. Čerpadlo běží s nižším výkonem.	a) Čerpací vrt je užší než se předpokládalo.	Čerpadlo umístěte do větší instalační hloubky, přiškrtěte čerpadlo nebo je nahradte menším modelem s nižším výkonem.
	b) Částečně ucpané či zablokované armatury ve výtlačném potrubí.	Zkontrolujte a v případě nutnosti vyčistěte armatury.
	c) Výtlačné potrubí je částečně ucpáno nečistotami (sloučeninami železa).	Vyčistěte výtlačné potrubí.
	d) Částečně zablokovaná zpětná klapka čerpadla.	Vytáhněte čerpadlo z vrtu a zkontrolujte, popř. vyměňte zpětnou klapku.
	e) Čerpadlo a výtlačné potrubí je částečně zaneseno nečistotami (sloučeninami železa).	Vytáhněte čerpadlo z vrtu a zkontrolujte, popř. vyměňte v případě nutnosti čerpadlo. Vyčistěte potrubí.
	f) Vadné čerpadlo.	Opravte, popř. vyměňte čerpadlo.
	g) Průsak vody z potrubí.	Zkontrolujte a opravte potrubí.
	h) Vadné výtlačné potrubí.	Zkontrolujte a opravte výtlačné potrubí.
	i) Podpětí.	Zkontrolujte přívod elektrického proudu.

Porucha	Příčina	Odstranění poruchy
4. Časté zapínání a vypínání.	a) Tlaková diference mezi zapínacím a vypínacím tlakem nastavená na tlakovém spínači je příliš malá.	Zvyšte tlakovou diferenci. Vypínací tlak však nesmí být vyšší než provozní tlak tlakové nádrže a zapínací tlak musí být dost vysoký k zajištění dostatečné dodávky vody.
	b) Hladinové elektrody či hladinové spínače v nádrži nejsou správně nainstalovány.	Nastavte správné vzdálenosti elektrod resp. hladinových spínačů k zajištění odpovídající doby mezi zapnutím a vypnutím čerpadla. Viz montážní a provozní předpisy pro použité automatické jednotky. Nelze-li intervaly mezi zapínáním a vypínáním změnit přes automatiku, je možno redukovat výkon čerpadla škrcením výtlačné armatury.
	c) Průsak nebo zablokování zpětné klapky v částečně otevřené poloze.	Vytáhněte čerpadlo z vrtu a vyčistěte, popř. vyměňte zpětnou klapku.
	d) Nestabilní napájecí napětí.	Zkontrolujte napájecí napětí.
	e) Příliš vysoká teplota motoru.	Zkontrolujte teplotu vody.

10.1 Měření

Měření na elektrické instalaci čerpadel SQ/SQE není přípustné, protože vestavěná elektronika by se mohla poškodit. Viz obr. 13.



TM02 0689 5000

Obr. 13

11. Kontrola elektrického napájení

VAROVÁNÍ

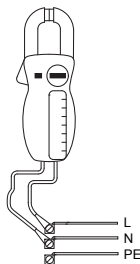
Úraz elektrickým proudem

Smrt nebo závažná újma na zdraví



- Před zahájením práce na čerpadle se přesvědčte, zda je vypnut přívod elektrického proudu a zajištěn proti náhodnému zapnutí.

1. Napájecí napětí

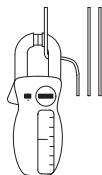


TM00 1371 4904

Změřte napětí (RMS) mezi fází L a neutrálním vodičem (N). Voltmetr připojte na svorky na přípojce.

Při zatížení motoru musí být napětí v rozsahu uvedeném v oddíle **5. Elektrická přípojka**. Velké kolísání napájecího napětí ukazuje na závadu na přívodu elektr. proudu. V takovém případě vypněte čerpadlo a nechte je v klidu do odstranění závady.

2. Spotřeba proudu



TM00 1372 5082

Změřte proud (RMS) za provozu čerpadla při konstantní dopravní výšce (pokud možno při výkonu, při němž je motor nejvíce zatížen).

Max. hodnota proudu je uvedena na typovém štítku.

Jestliže naměřená hodnota přesáhne hodnotu proudu při plném zatížení, jsou možné tyto příčiny:

- vadný spoj vodičů, pravděpodobně v kabelové spojkce.
- příliš nízké napájecí napětí, viz bod. 1.

12. Ochrana životního prostředí

Při manipulaci, provozu, skladování a přepravě čerpadla je třeba dodržovat všechny předpisy vztahující se k ochraně životního prostředí, zejména co se týká manipulace s nebezpečnými látkami.

VAROVÁNÍ

Korozivní látka

Smrt nebo závažná újma na zdraví



- Po odstavení čerpadla z provozu se přesvědčte, zda v čerpadle, motoru a ve výtlačném potrubí nezůstala žádná nebezpečná látka, která by mohla ohrozit zdraví osob nebo poškodit životní prostředí.

Jste-li na pochybách, obraťte se na fu Grundfos nebo na místní úřady.

13. Likvidace výrobku

Tento výrobek nebo jeho části musí být po skončení doby jeho životnosti ekologicky zlikvidovány:

1. Využijte služeb místní veřejné či soukromé organizace, zabývající se sběrem a zpracováním odpadů.
2. Pokud taková organizace ve vaší lokalitě neexistuje, kontaktujte nejbližší pobočku Grundfos nebo servisní středisko.

Technické změny vyhrazeny.

Deutsch (DE) Montage- und Betriebsanleitung

Übersetzung des englischen Originaldokuments

INHALTSVERZEICHNIS

	Seite
1. Verwendete Symbole	50
2. Allgemeines	51
2.1 Verwendungszweck	51
3. Technische Daten	52
3.1 Lagerung	52
3.2 Schalldruckpegel	52
4. Montagevorbereitung	52
4.1 Einfüllen der Motorflüssigkeit	52
4.2 Einbauanforderungen	53
4.3 Medientemperatur/Motorkühlung	53
5. Elektrischer Anschluss	54
5.1 Allgemeines	54
5.2 Motorschutz	54
5.3 Anschluss des Motors	54
6. Montage	55
6.1 Allgemeines	55
6.2 Motor mit Pumpe verbinden	55
6.3 Entfernen des Rückschlagventils	55
6.4 Montage des Kabelsteckers auf den Motor	56
6.5 Montage der Kabelschutzschiene	56
6.6 Kabelauslegung	57
6.7 Verbindung der Kabel	58
6.8 Rohranschluss	58
7. Inbetriebnahme	59
8. Betrieb	59
8.1 Mindest-Förderstrom	59
8.2 Wahl des Membran-Druckbehälters und Einstellung des Vordruckes und des Druckschalters	59
8.3 Überdruck in der Brunnenanlage	60
8.4 Eingebauter Schutz	61
9. Wartung und Service	61
9.1 Verunreinigte Pumpen	61
9.2 Ersatzteile/Zubehör	61
10. Störungsübersicht	62
10.1 Isolationswiderstandsprüfung	63
11. Überprüfung der Spannungsversorgung	64
12. Umwelt	64
13. Entsorgung	64



Lesen Sie vor der Installation das vorliegende Dokument sorgfältig durch. Die Installation und der Betrieb müssen nach den örtlichen Vorschriften und den Regeln der Technik erfolgen.

Dieses Gerät kann von Kindern ab 8 Jahren und darüber, sowie von Personen mit verringerten physischen, sensorischen oder mentalen Fähigkeiten oder Mangel an Erfahrung und Wissen, benutzt werden, wenn sie beaufsichtigt oder bezüglich des sicheren Gebrauchs des Gerätes unterwiesen wurden und die daraus resultierenden Gefahren verstehen.



Erlauben Sie niemals Kindern, mit dem Produkt zu spielen. Die Reinigung und Wartung darf nicht von Kindern oder Personen mit eingeschränkten körperlichen, sensorischen oder geistigen Fähigkeiten durchgeführt werden, wenn sie dabei nicht entsprechend beaufsichtigt werden.

1. Verwendete Symbole

GEFAHR



Kennzeichnet eine Gefahrensituation, die, wenn sie nicht vermieden wird, zu ernsthaften Personenschäden oder Todesfällen führen wird.

WARNUNG



Kennzeichnet eine Gefahrensituation, die, wenn sie nicht vermieden wird, zu ernsthaften Personenschäden oder Todesfällen führen kann.

VORSICHT



Kennzeichnet eine Gefahrensituation, die, wenn sie nicht vermieden wird, zu leichten oder mittelschweren Personenschäden führen kann.

Der zu den Warnsymbolen GEFAHR, WARNUNG und VORSICHT gehörende Text ist folgendermaßen strukturiert:

SIGNALWORT

Beschreibung der Gefahr



Folgen bei Nichtbeachtung des Warnhinweises.

- Maßnahmen zum Vermeiden der Gefahr.



Ein blauer oder grauer Kreis mit einem weißen grafischen Symbol weist darauf hin, dass eine Maßnahme ergriffen werden muss.



Ein roter oder grauer Kreis mit einem diagonal verlaufenden Balken (ggf. mit einem schwarzen grafischen Symbol) weist darauf hin, dass eine Maßnahme ergriffen werden muss oder dass Handlungen unterlassen werden müssen.



Ein Nichtbeachten dieser Sicherheitshinweise kann Fehlfunktionen oder Sachschäden zur Folge haben.



Tipps und Ratschläge, die das Arbeiten erleichtern.

2. Allgemeines

WARNUNG



Stromschlag

- Tod oder ernsthafte Personenschäden
- Die Pumpe darf nicht benutzt werden, wenn Personen im Wasser sind.

Auf Seite 412 dieser Montage- und Betriebsanleitung finden Sie Kopien der Pumpen- und Motor-Leistungsschilder.

Bevor die Pumpe SQ/SQE ins Bohrloch abgesenkt wird, muss diese Seite mit den relevanten Daten ausgefüllt werden.

Diese Montage- und Betriebsanleitung muss an einer trockenen Stelle am Montageort aufbewahrt sein.

2.1 Verwendungszweck

Die Pumpen **SQ** und **SQE** eignen sich für die Förderung von reinen, dünnflüssigen, nicht-aggressiven, nicht-explosiven Medien ohne feste oder langfaserige Bestandteile.

Haupt Einsatzgebiete:

- Grundwasserversorgung für
 - Wohngebäude
 - kleine Wasserwerke
 - Bewässerungsanlagen, z.B. in Treibhäusern.
- Flüssigkeitsförderung in Behälteranlagen.
- Druckerhöhung.

Die Pumpen **SQE-NE** eignen sich für die Förderung von reinen, dünnflüssigen, nicht-explosiven Medien ohne feste oder langfaserige Bestandteile.

Weiterhin dürfen diese Pumpen auch für die Förderung von verunreinigtem Grundwasser oder Grundwasser mit Hydrogenkarbonat verwendet werden, z.B. aus

- Müllplätzen
- Chemikaliendepots
- Industriegrundstücken
- Öl- und Benzintankstellen und
- in Umweltschutzbereichen.

Außerdem ist die **SQE-NE** Pumpe für Probeentnahme und Überwachung einsetzbar und kann im Ausnahmefall auch in Wasseraufbereitungsanlagen installiert werden.

Gilt für alle Pumpentypen:

Der maximale Sandgehalt des Wassers darf 50 g/m^3 nicht übersteigen. Ein größerer Sandgehalt reduziert die Lebensdauer und erhöht die Gefahr, dass die Pumpe blockiert.



Bei der Förderung von Medien mit einer von Wasser abweichenden Zähigkeit nehmen Sie bitte mit Grundfos Verbindung auf.

pH-Werte:

SQ und SQE: 5 bis 9.

SQE-NE: Mit Grundfos Verbindung aufnehmen.

Medientemperatur:

Die Medientemperatur darf 35 °C nicht übersteigen (siehe Abschnitt [4.3 Medientemperatur/Motorkühlung](#)).

3. Technische Daten

Versorgungsspannung:

1 x 200-240 V - 10 %/+ 6 %, 50/60 Hz, PE.
Generatorbetrieb: Die Generatorleistung muss mindestens den Wert der Motorleistung P_1 [kW] + 10 % betragen.

Anlaufstrom:

Der Motor-Anlaufstrom entspricht dem Höchstwert, der auf dem Leistungsschild angeführt ist.

Leistungsfaktor:

PF = 1.

Motorflüssigkeit:

Typ SML 2.

Motorkabel:

1,5 m, 3 x 1,5 mm², PE.

Medientemperatur:

Max. 35 °C.

Rohranschluss:

SQ 1, SQ 2, SQ 3: Rp 1 1/4.

SQ 5, SQ 7: Rp 1 1/2.

Pumpendurchmesser:

74 mm.

Bohrlochdurchmesser:

Min. 76 mm.

Einbautiefe:

Max. 150 m unter dem ruhenden Wasserspiegel.
Siehe auch Abschnitt [6.8.2 Einbautiefen](#).

Nettogewicht:

Max. 6,5 kg.

3.1 Lagerung

Lagertemperatur: -20 °C bis +60 °C.

3.1.1 Frostsicherung

Falls die Pumpe nach Gebrauch gelagert werden soll, muss der Lagerort frostfrei sein, oder es muss sichergestellt werden, dass die Motorflüssigkeit frostsicher ist.

Der Motor darf nicht ohne Motorflüssigkeit gelagert werden.

3.2 Schalldruckpegel

Der Schalldruckpegel der Pumpe liegt unter den Grenzwerten, die in der EG-Richtlinie 2006/42/EG für Maschinen angeführt sind.

4. Montagevorbereitung

Die Grundfos Unterwassermotoren MS 3 und MSE 3 haben wassergeschmierte Gleitlager. Zusätzliche Schmierung ist nicht erforderlich.

Die Unterwassermotoren sind werkseitig mit einer speziellen Grundfos Motorflüssigkeit, Typ SML 2, gefüllt. Diese Flüssigkeit ist bis zu -20 °C frostsicher und ist konserviert, damit Bakterienentwicklung verhindert wird.

Der Flüssigkeitsstand ist für die Lebensdauer der Lager und damit die des Motors entscheidend.

4.1 Einfüllen der Motorflüssigkeit

Falls die Motorflüssigkeit aus irgendeinem Grund ausgelaufen ist, muss der Motor unbedingt mit Grundfos Motorflüssigkeit SML 2 nachgefüllt werden.

Motor wie folgt nachfüllen:

1. Kabelschutzschiene demontieren und Motor von der Pumpe entfernen.

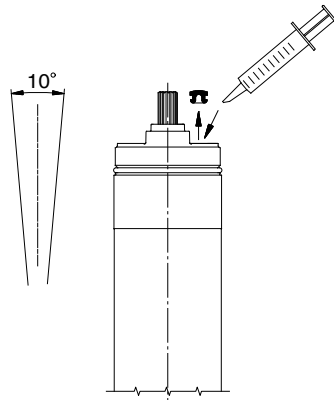


Abb. 1

2. Motor vertikal mit 10 ° Neigung aufstellen.
 3. Einfüllstopfen mit einem Schraubendreher oder einem ähnlichen Werkzeug demontieren.
 4. Mit der Füllspritze Flüssigkeit in den Motor einfüllen.
 5. Motor hin und her bewegen, damit evtl. vorhandene Luft entweichen kann.
 6. Einfüllstopfen wieder einsetzen und fest anziehen.
 7. Motor mit Pumpe verbinden.
 8. Kabelschutzschiene montieren.
- Die Pumpe ist jetzt montagebereit.

4.2 Einbauanforderungen

Die Pumpe kann entweder vertikal oder horizontal eingebaut werden. Die Pumpenwelle darf sich jedoch nie unter der horizontalen Lage befinden, siehe Abb. 2.

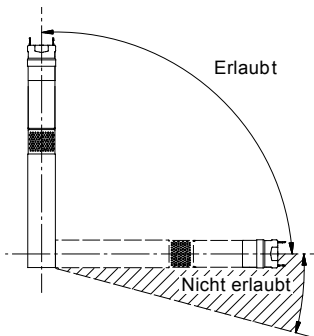


Abb. 2

Falls die Pumpe horizontal montiert wird, z.B. in einem Behälter, und Gefahr besteht, dass die Pumpe verschlammte, muss die Pumpe in einen Kühlmantel eingebaut werden.

Für Einbautiefen, siehe Abschnitt [6.8.2 Einbautiefen](#).

4.3 Medientemperatur/Motorkühlung

Abb. 3 zeigt eine SQ/SQE Pumpe, die in einem Bohrloch eingebaut ist. Die Pumpe läuft.

Abb. 3 illustriert das Folgende:

- Bohrl Lochdurchmesser
- Pumpendurchmesser
- Medientemperatur
- Strömung am Motor vorbei bis zum Einlaufsieb.

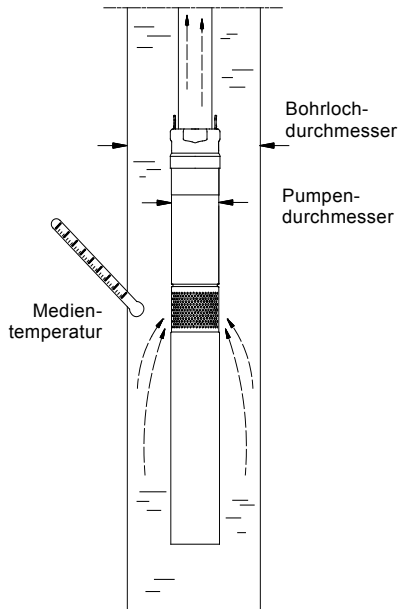


Abb. 3

Um eine ausreichende Kühlung des Motors sicherzustellen, ist es wichtig, unter allen Bedingungen die maximal zulässige Medientemperatur von 35 °C zu beachten.



Der Bohrl Lochdurchmesser muss mindestens 76 mm (ca. 3") betragen.

Der Motor sollte oberhalb des Brunnenfilters eingebaut werden. Falls ein Kühlmantel verwendet wird, lässt sich die Pumpe frei im Bohrloch einbauen.



Die Pumpe darf höchstens 5 Min. gegen eine abgesperrte Druckleitung laufen. Bei abgesperrter Druckleitung ist keine Kühlströmung vorhanden und Gefahr von Übertemperatur in Motor und Pumpe entsteht.

Falls die aktuelle Medientemperatur den spezifizierten Wert übersteigt, oder die Betriebsverhältnisse außerhalb der Spezifikationen liegen, kann es vorkommen, dass die Pumpe ausschaltet. Nehmen Sie bitte mit Grundfos Verbindung auf.

TM01 1375 4397

TM01 0518 1297

5. Elektrischer Anschluss

5.1 Allgemeines

Der elektrische Anschluss muss durch einen Fachmann in Übereinstimmung mit den örtlichen Vorschriften des EVU bzw. VDE vorgenommen werden.

WARNUNG

Stromschlag

Tod oder ernsthafte Personenschäden

- Vor Beginn der Arbeit an der Pumpe muss die Versorgungsspannung unbedingt abgeschaltet werden. Es muss sichergestellt werden, dass diese nicht versehentlich wieder eingeschaltet werden kann.
- Die Pumpe muss geerdet werden.
- Die Pumpe muss bauseits abgesichert werden und sollte an einen externen Netzschalter angeschlossen werden. Auf eine allpolige Trennung mit Kontaktöffnungsweite von min. 3 mm (pro Pol) ist zu achten.
- Falls das Motorkabel beschädigt ist, muss es unbedingt von Grundfos, einer autorisierten Grundfos Werkstatt oder einem Fachmann mit ähnlichen Qualifikationen ausgewechselt werden.



Angaben über Versorgungsspannung, aufgestempelten max. Strom und Leistungsfaktor (PF) sind dem Motor-Leistungsschild zu entnehmen.

Der erforderliche Spannungsbereich für Grundfos Unterwassermotoren, an den Motorklemmen gemessen, beträgt - 10 %/+ 6 % der Nennspannung bei Dauerbetrieb (einschließlich Toleranzen in der Versorgungsspannung und Verlusten in den Kabeln).

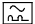
WARNUNG

Stromschlag

Tod oder ernsthafte Personenschäden

- Ist die Pumpe an eine elektrische Installation anzuschließen, in der FI-Schutzschalter als zusätzlicher Schutz eingesetzt werden, **müssen** solche verwendet werden, die gemäß DIN VDE 0664 sowohl bei Wechselfehlerströmen als auch bei pulsierenden Gleichfehlerströmen auslösen.



Diese Schutzschalter **müssen** mit dem folgenden Symbol gekennzeichnet sein: .

Versorgungsspannung:

1 x 200-240 V - 10 %/+ 6 %, 50/60 Hz, PE.

Die Stromaufnahme lässt sich nur mit einem Effektivwert-Messgerät messen. Andere Messgeräte zeigen Werte, die vom aktuellen Wert abweichen.

Bei SQ/SQE Pumpen kann ein Ableitstrom von 2,5 mA bei 230 V, 50 Hz, typisch gemessen werden. Der Ableitstrom ist proportional mit der Versorgungsspannung.

Die Pumpen SQE und SQE-NE lassen sich an einen Motorvollschutz, Typ CU 300 oder CU 301, anschließen.

Es darf kein Kondensator oder ein anderer Motorvollschutz als CU 300 oder CU 301 angeschlossen werden.



Die Pumpe darf nicht an einen externen Frequenzumrichter angeschlossen werden.

5.2 Motorschutz

Der Motor besitzt einen eingebauten Thermoschalter und benötigt keinen weiteren Motorschutz.

5.3 Anschluss des Motors

Der Motor besitzt eine eingebaute Startvorrichtung und lässt sich direkt ans Netz anschließen.

Das Ein- bzw. Ausschalten der Pumpe erfolgt in der Regel über einen Druckschalter, siehe Abb. 4.



Der Druckschalter muss für den max. Strom des betreffenden Pumpentyps ausgelegt sein.

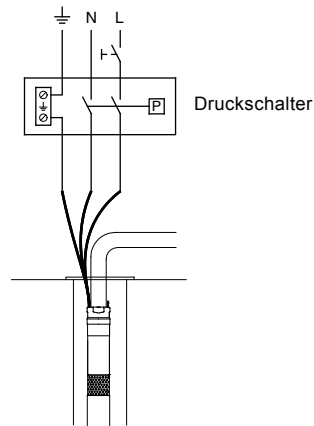


Abb. 4

6. Montage

6.1 Allgemeines

WARNUNG

Stromschlag

Tod oder ernsthafte Personenschäden



- Vor Beginn jeder Arbeit an der Pumpe oder am Motor muss die Versorgungsspannung unbedingt abgeschaltet werden. Es muss sichergestellt werden, dass diese nicht versehentlich wieder eingeschaltet werden kann.



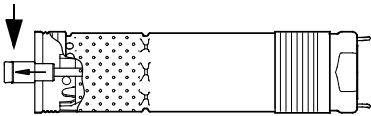
Die Pumpe darf nicht am Motorkabel abgensenkt oder hochgezogen werden.

Jede Pumpe wird mit einem zusätzlichen Leistungsschild geliefert, das am Montageort befestigt werden muss.

6.2 Motor mit Pumpe verbinden

Motor und Pumpe wie folgt verbinden:

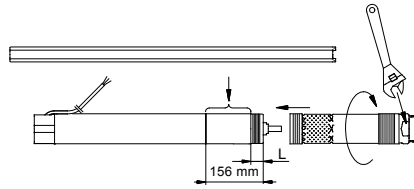
1. Motor horizontal in einen Schraubstock einspannen, siehe Abb. 6.
2. Pumpenwelle in die gezeigte Stellung bringen, siehe Abb. 5.



TM02 8425 5203

Abb. 5

3. Wellenende des Motors mit dem mitgelieferten Fett einschmieren.
4. Pumpenteil auf den Motor schrauben (55 Nm).
Achtung: Die beiden Wellen müssen in Eingriff gebracht werden.
Ein Schraubenschlüssel darf an den Spannflächen des Pumpenteils benutzt werden, siehe Abb. 6.



TM01 2854 3804

Abb. 6

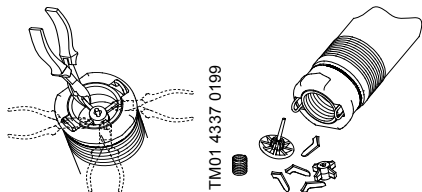
Motor (P2) [kW]	L [mm]
0,70	120
1,15	102
1,68	66
1,85	66

Wenn Pumpenteil und Motor korrekt verbunden sind, darf kein Abstand dazwischen bestehen.

6.3 Entfernen des Rückschlagventils

Falls eine Pumpe ohne Rückschlagventil erforderlich ist, kann das Ventil wie folgt entfernt werden:

1. Die Beine der Ventilfehrung mit einer Kombizange oder einem ähnlichen Werkzeug abschneiden, siehe Abb. 7.
2. Pumpe so drehen, dass das Kopfstück nach unten zeigt.
3. Prüfen, ob alle losen Teile aus der Pumpe herausgefallen sind.



TM01 4337 0199

TM01 4338 0199

Abb. 7



SQE-NE wird ohne Rückschlagventil geliefert.

Das Rückschlagventil lässt sich in einer Grundfos Servicewerkstatt montieren.

6.4 Montage des Kabelsteckers auf den Motor

WARNUNG

Stromschlag

Tod oder ernsthafte Personenschäden



- Der Kabelstecker darf unter keinen Umständen vom Benutzer demontiert werden.
- Das Kabel mit Stecker muss unbedingt von einer autorisierten Grundfos Werkstatt oder einem Fachmann mit ähnlichen Qualifikationen montiert bzw. demontiert werden.

Die folgende Beschreibung richtet sich ausschließlich an Servicefachleute. Falls das Kabel ausgetauscht werden muss, siehe Abschnitt [5.1 Allgemeines](#).

Der mitgelieferte Kabelstecker ist werkseitig eingefettet. Prüfen, ob der Stecker korrekt eingefettet ist.

Kabelstecker wie folgt montieren:

1. Prüfen, ob Typ, Querschnitt und Länge des Kabels korrekt sind.
2. Prüfen, ob die örtliche Versorgungsspannung eine korrekte Erdverbindung hat.
3. Prüfen, ob die Motorsteckdose sauber und trocken ist. Sicherstellen, dass die mitgelieferte Dichtung montiert ist.
4. Kabelstecker auf die Motorsteckdose drücken. Der Kabelstecker kann nicht falsch montiert werden, siehe [Abb. 8](#).

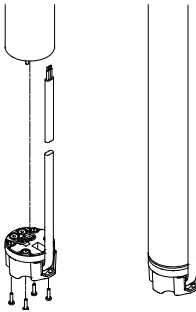


Abb. 8

TM02 9605 3504

5. Die vier Schrauben aufsetzen und fest anziehen (1 - 1,5 Nm), siehe [Abb. 8](#).

Wenn der Stecker montiert ist, darf kein Abstand zwischen Motor und Kabelstecker bestehen.

6.5 Montage der Kabelschutzschiene

Kabelschutzschiene wie folgt montieren:

1. Unterwasserkabel flach in die Kabelschutzschiene einlegen.
2. Kabelschutzschiene in der Aussparung des Kabelsteckers anbringen. Die beiden oberen Seitenlöcher der Kabelschutzschiene müssen in den oberen Rand des Pumpenmantels einrasten, siehe [Abb. 9](#).

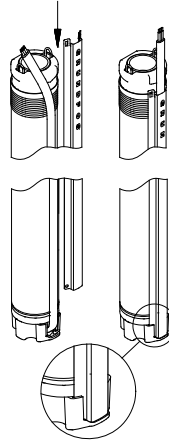


Abb. 9

3. Mit den beiden mitgelieferten Schneidschrauben die Kabelschutzschiene an das Einlaufsieb befestigen, siehe [Abb. 10](#).

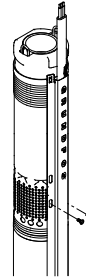


Abb. 10

TM02 9613 3504

TM01 4427 0299

6.6 Kabelauslegung

Grundfos Unterwasserkabel sind für viele verschiedene Installationen lieferbar.



Das Unterwasserkabel muss groß genug sein, um den Spannungsanforderungen in Abschnitt [5.1 Allgemeines](#) zu genügen.

Die Werte in der nachstehenden Tabelle sind nach der folgenden Formel berechnet

$$q = \frac{I \times 2 \times 100 \times PF \times L \times \rho}{U \times \Delta U}$$

q = Kabelquerschnitt [mm²].

I = Aufgestempelter max. Motorstrom [A].

PF = 1,0.

L = Unterwasserkabellänge [m].

ρ = Spezifischer Widerstand: 0,02 [Ωmm²/m].

U = Nennspannung [V].

ΔU = Spannungsabfall [%] = 4 %.

Der 4 % Spannungsabfall ist in Übereinstimmung mit IEC 3-64, HD-384 Serie.

Die Berechnung ergibt die folgenden max. Kabellängen bei einer Versorgungsspannung von 240 V:

Motor (P2)		Max. Kabellänge [m]					
[kW]	I _N [A]	Kabelgröße					
		1,5 mm ²	2,1 mm ² / 14 AWG	2,5 mm ²	3,3 mm ² / 12 AWG	4 mm ²	6 mm ²
0,7	5,2	80	112	133	176	213	320
1,15	8,4	50	69	83	109	132	198
1,68	11,2	37	52	62	82	99	149
1,85	12	35	49	58	76	92	139

6.7 Verbindung der Kabel

Es empfiehlt sich, mit Hilfe der Grundfos Kabelkupplung, Typ KM, das Unterwasserkabel mit dem Motor-kabel zu verbinden.

Kabelkupplung, Typ KM	
Leiterquerschnitt	Produktnummer
1,5 bis 6,0 mm ²	96021473

Bei größeren Leiterquerschnitten, nehmen Sie bitte mit Grundfos Verbindung auf.

6.8 Rohranschluss

Werden beim Anschluss des Steigrohres Werkzeuge benutzt (z.B. eine Ketten-Rohrzange), darf die Pumpe nur am Kopfstück gespannt werden.

Wenn die Pumpe mit Kunststoffrohren verbunden wird, muss eine Quetschkupplung verwendet werden.



Bei der Montage von Pumpen mit Kunststoffrohren muss die Ausdehnung der Rohre bei der Bestimmung der Einbautiefe berücksichtigt werden.

Wenn Flanschrohre verwendet werden, sollten die Flansche ausgespart werden, um das Unterwasserkabel aufzunehmen.

Abb. 11 zeigt eine Pumpeninstallation mit Angabe von:

- Position der Kabelschellen, Pos. 1, und Abstand zwischen Kabelschellen.
- Montage des Stahlseils, Pos. 2.
- max. Einbautiefe unter dem ruhenden Wasserspiegel.

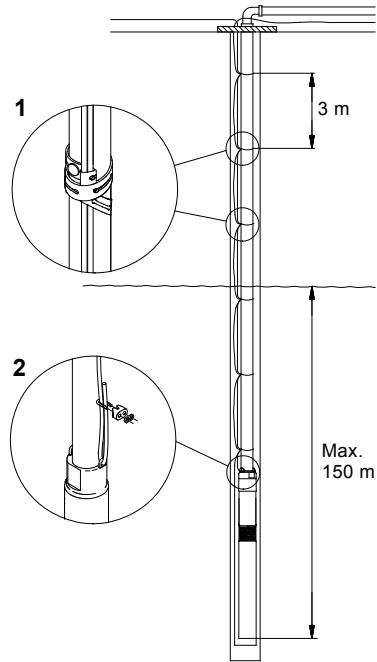


Abb. 11

6.8.1 Kabelbefestigung

Kabelschellen müssen alle 3 m angebracht werden, siehe Abb. 11.

Wenn Kunststoffrohre verwendet werden, muss dem Unterwasserkabel aufgrund der belastungsabhängigen Lagenveränderung eine gewisse Toleranz gelassen werden.

Wenn Flanschrohre verwendet werden, sollten Kabelschellen unter und über jeder Flanschverbindung angebracht werden.

TM01 0480 4397

6.8.2 Einbautiefen

Maximale Einbautiefe unter dem ruhenden Wasserspiegel: 150 m, siehe Abb. 11.

Minimale Einbautiefe unter dem abgesenkten Wasserspiegel:

- **Vertikaler Einbau:**
Während der Inbetriebnahme und des Betriebes muss die Pumpe immer vollständig im Wasser eingetaucht sein.
- **Horizontaler Einbau:**
Die Pumpe muss 0,5 m unter dem abgesenkten Wasserspiegel eingebaut werden.
Empfehlung: Montage der Pumpe mit Kühlmantel/Sieb auf Auflageschellen, um Ablagerungen/Verschlämungen der Pumpe fernzuhalten.

6.8.3 Absenkung der Pumpe

Es empfiehlt sich, die Pumpe mit Hilfe eines Stahlseils zu sichern, siehe Abb. 11, Pos. 2.

Das Stahlseil so weit lockern, dass es eben unbelastet ist. Dann mit Hilfe von Seilklemmen am Brunnenkopf befestigen.



Das Seil darf nicht als Zugseil verwendet werden, um Pumpe mit der Rohrleitung aus dem Brunnen zu ziehen.



Die Pumpe darf nicht am Motorkabel abgesenkt oder gezogen werden.

7. Inbetriebnahme

Es ist sicherzustellen, dass der Zulauf des Wassers zum Brunnen mindestens der Förderleistung der Pumpe entspricht.

Die Pumpe darf erst eingeschaltet werden, wenn die Pumpe vollständig im Fördermedium eingetaucht ist. Pumpe einschalten und erst dann ausschalten, wenn das Fördermedium wieder klar ist. Eine zu frühe Ausschaltung der Pumpe vergrößert die Gefahr einer Verstopfung der Pumpenteile oder des Rückschlagventils.

8. Betrieb

8.1 Mindest-Förderstrom

Um eine ausreichende Kühlung des Motors sicherzustellen, darf der Förderstrom der Pumpe nie 50 l/h unterschreiten.

Der Förderstrom kann unter Umständen plötzlich fallen. Der Grund dafür kann sein, dass die Pumpenleistung größer ist als der Zulauf des Wassers zum Brunnen. Die Pumpe muss ausgeschaltet und die Störung behoben werden.



Der Trockenlaufschutz der Pumpe funktioniert nur innerhalb des empfohlenen Betriebsbereiches der Pumpe.

8.2 Wahl des Membran-Druckbehälters und Einstellung des Vordruckes und des Druckschalters

WARNUNG



Anlage unter Druck

Tod oder ernsthafte Personenschäden

- Die Anlage muss für den maximalen Förderdruck der Pumpe ausgelegt sein.

Da die Pumpe einen eingebauten Sanftanlasser besitzt, der bewirkt, dass die Anlaufzeit der Pumpe 2 Sek. beträgt, wird der Druck am Druckschalter und im Membran-Druckbehälter nach dem Einschalten der Pumpe niedriger als der am Druckschalter eingestellte Einschalt-Druck (p_{Ein}) sein. Dieser niedrigere Druck wird Mindestdruck (p_{min}) genannt.

p_{min} entspricht dem erforderlichen Mindestdruck an der obersten Zapfstelle + Förderhöhe und Reibungsverlust in der Rohrleitung zwischen Druckschalter oder Membran-Druckbehälter und der obersten Zapfstelle ($p_{min} = B + C$), siehe Abb. 12.

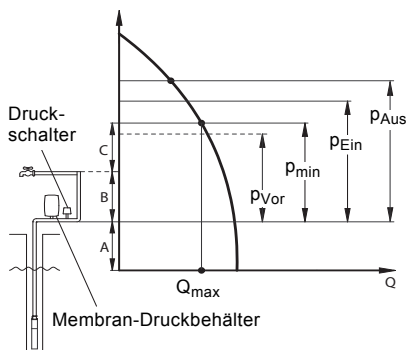


Abb. 12

- A: Förderhöhe + Reibungsverlust in der Rohrleitung zwischen dem abgesenkten Wasserspiegel und dem Membran-Druckbehälter.
- B: Förderhöhe + Reibungsverlust in der Rohrleitung zwischen dem Membran-Druckbehälter und der obersten Zapfstelle.
- C: Mindestdruck an der obersten Zapfstelle.



Es ist sicherzustellen, dass der Förderdruck der gewählten Pumpe den Wert von $p_{Aus} + A$ übersteigt.

p_{Vor} : Vordruck.

p_{min} : Erforderlicher Mindestdruck.

p_{Ein} : Am Druckschalter eingestellter Einschalt-Druck.

p_{Aus} : Am Druckschalter eingestellter Ausschalt-Druck.

Q_{max} : Max. Förderstrom bei p_{min} .

TM00 6445 3795

8.3 Überdruck in der Brunnenanlage

Um einen Überdruck zu verhindern, installieren Sie ein Überströmventil nach dem Brunnenkopf. Der Sollwert des Überströmventils muss mindestens 30 psi über der Druckeinstellung liegen.

Wenn Sie ein Überströmventil montieren, empfehlen wir, das Ventil an einen geeigneten Entwässerungspunkt anzuschließen.

Mindest-Membran-Druckbehältergröße, Vordruck und Druckschaltereinstellungen können in Abhängigkeit von p_{min} und Q_{max} der folgenden Tabelle entnommen werden:

Beispiel:

$p_{min} = 35 \text{ mWS}$, $Q_{max} = 2,5 \text{ m}^3/\text{h}$.

Aufgrund dieser Informationen können die folgenden Werte der Tabelle entnommen werden:

Mindest-Membran-Druckbehältergröße = 33 l.

$p_{Vor} = 31,5 \text{ mWS}$.

$p_{Ein} = 36 \text{ mWS}$.

$p_{Aus} = 50 \text{ mWS}$.

P_{min} [m]	Q_{max} [m ³ /h]																P_{Vor} [m]	P_{Ein} [m]	P_{Aus} [m]		
	0,6	0,8	1	1,2	1,5	2	2,5	3	3,5	4	4,5	5	5,5	6	6,5	7				7,5	8
Membran-Druckbehältergröße [Liter]																					
25	8	8	18	18	18	18	24	33	33	50	50	50	50	80	80	80	80	80	22,5	26	40
30	8	8	18	18	18	24	33	33	50	50	50	50	80	80	80	80	80		27	31	45
35	8	18	18	18	18	24	33	33	50	50	50	80	80	80	80	80			31,5	36	50
40	8	18	18	18	18	24	33	50	50	50	80	80	80	80	80				36	41	55
45	8	18	18	18	24	33	33	50	50	50	80	80	80	80					40,5	46	60
50	8	18	18	18	24	33	50	50	50	80	80	80	80						45	51	65
55	18	18	18	18	24	33	50	50	50	80	80	80							49,5	56	70
60	18	18	18	18	24	33	50	50	80	80	80	80							54	61	75
65	18	18	18	24	24	33	50	50	80	80	80	80							58,5	66	80

1 m WS = 0,098 bar.

8.4 Eingebauter Schutz

Der Motor besitzt eine eingebaute elektronische Einheit, die den Motor in verschiedenen Situationen schützt.

Bei Überlast wird der eingebaute Überlastschutz die Pumpe 5 Min. ausschalten. Nach dieser Periode versucht die Pumpe, neu zu starten.

Falls die Pumpe wegen Trockenlauf ausgeschaltet wurde, schaltet sie nach 5 Min. automatisch wieder ein.

Falls die Pumpe bei leerem Bohrloch wieder eingeschaltet wird, schaltet die Pumpe nach 30 Sek. aus.

Rückstellung der Pumpe: Versorgungsspannung 1 Min. abschalten.

Der Motor ist in den folgenden Fällen geschützt:

- Trockenlauf,
- Impulsüberspannung (6000 V),
In Bereichen mit hoher Blitzintensität ist ein Blitzschutz erforderlich.
- Überspannung,
- Unterspannung,
- Überlast und,
- Übertemperatur.

SQE Pumpen/MSE 3 Motoren:



Bei SQE Pumpen/MSE 3 Motoren lässt sich die Trockenlauf-Ausschaltgrenze mit Hilfe des CU 300/CU 301/R100 an das aktuelle Einsatzgebiet anpassen.

9. Wartung und Service

Die Pumpen sind normalerweise wartungsfrei.

Ablagerungen und Verschleiß können vorkommen. Servicesätze und Servicewerkzeuge sind von Grundfos lieferbar.

Das Grundfos Service Manual ist auf Anfrage erhältlich.

Die Pumpen können in einer Grundfos Servicewerkstatt überprüft werden.

9.1 Verunreinigte Pumpen

Wurde die Pumpe für die Förderung einer gesundheitsschädlichen oder giftigen Flüssigkeit eingesetzt, wird die Pumpe als kontaminiert klassifiziert.



In diesem Fall müssen bei jeder Serviceanforderung detaillierte Informationen über das Fördermedium vorliegen.

Bei eventueller Serviceanforderung muss unbedingt vor dem Versand der Pumpe mit Grundfos Kontakt aufgenommen werden. Informationen über Fördermedium usw. müssen vorliegen, da sonst Grundfos die Annahme der Pumpe verweigern kann.

SQE-NE: Pumpen, die nicht kontaminierte Flüssigkeiten gefördert haben, können zur Wartung an Grundfos zurückgesandt werden, falls sie mit einer Unbedenklichkeitsbescheinigung versehen sind.

Die rechtsverbindlich unterschriebene Unbedenklichkeitsbescheinigung muss vor Versand der Pumpe an Grundfos bei der Serviceabteilung vorliegen. Ohne diese Bescheinigung wird die Annahme verweigert.

Eventuelle Versandkosten gehen zu Lasten des Absenders.

9.2 Ersatzteile/Zubehör

Wir machen ausdrücklich darauf aufmerksam, dass nicht von uns gelieferte Ersatzteile und Zubehör auch nicht von uns geprüft und freigegeben sind.

Der Einbau und/oder die Verwendung solcher Produkte kann daher unter Umständen konstruktiv vorgegebene Eigenschaften der Pumpe negativ verändern und dadurch beeinträchtigen.

Für Schäden, die durch die Verwendung von nicht Original-Ersatzteilen und Zubehör entstehen, ist jede Haftung und Gewährleistung seitens Grundfos ausgeschlossen.

Störungen, die nicht selbst behoben werden können, sollten nur vom Grundfos-Service oder autorisierten Fachfirmen beseitigt werden.

Bitte geben Sie eine genaue Schilderung im Fall einer Störung, damit sich unser Service-Techniker vorbereiten und mit den entsprechenden Ersatzteilen ausrüsten kann.

Die technischen Daten der Anlage entnehmen Sie bitte dem Leistungsschild.

10. Störungsübersicht

VORSICHT

Stromschlag

Leichte oder mittelschwere Personenschäden



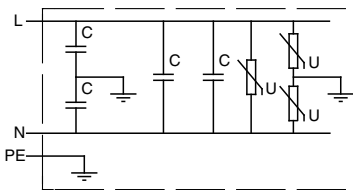
- Vor Beginn jeder Arbeit an der Pumpe oder am Motor muss die Versorgungsspannung unbedingt abgeschaltet werden. Es muss sichergestellt werden, dass diese nicht versehentlich wieder eingeschaltet werden kann.

Störung	Ursache	Abhilfe
1. Pumpe läuft nicht.	a) Sicherungen in der elektrischen Installation durchgebrannt.	Durchgebrannte Sicherungen austauschen. Wenn diese wieder durchbrennen, muss die elektrische Installation und das Kabel überprüft werden.
	b) Der Fehlerstrom-Schutzschalter oder Fehlerspannungs-Schutzschalter hat ausgelöst.	Schutzschalter wieder einschalten.
	c) Keine Stromzufuhr.	Mit dem Stromversorgungsunternehmen Verbindung aufnehmen.
	d) Der Überstromauslöser des Motorschutzschalters hat ausgelöst.	Prüfen, ob Motor/Pumpe blockiert ist.
	e) Pumpe/Unterwasserkabel ist schadhaf.	Pumpe/Kabel reparieren/austauschen.
	f) Überspannung oder Unterspannung.	Versorgungsspannung prüfen.
2. Pumpe läuft, fördert aber kein Wasser.	a) Das Absperrventil ist geschlossen.	Ventil öffnen.
	b) Kein Wasser oder zu niedriger Wasserstand im Brunnen.	Siehe 3 a).
	c) Das Rückschlagventil ist in geschlossener Stellung blockiert.	Pumpe ziehen und Ventil reinigen oder austauschen.
	d) Das Einlaufsieb ist verstopft.	Pumpe ziehen und Einlaufsieb reinigen.
	e) Die Pumpe ist schadhaf.	Pumpe reinigen/austauschen.
3. Pumpe läuft mit verringerter Leistung.	a) Die Absenkung ist größer als vorausgesehen.	Einbautiefe vergrößern, Pumpe drosseln oder durch ein kleineres Modell ersetzen, um eine kleinere Leistung zu erzielen.
	b) Die Ventile in der Druckleitung sind teilweise geschlossen/blockiert.	Ventile überholen und evtl. reinigen/austauschen.
	c) Die Druckleitung ist durch Verunreinigungen teilweise zugesetzt (verockert).	Druckleitung reinigen/austauschen.
	d) Das Rückschlagventil der Pumpe ist teilweise blockiert.	Pumpe ziehen und Ventil reinigen/austauschen.
	e) Pumpe und Steigrohr sind durch Verunreinigungen teilweise zugesetzt (verockert).	Pumpe ziehen, demontieren, reinigen oder evtl. austauschen. Rohr reinigen.
	f) Die Pumpe ist schadhaf.	Pumpe reparieren/austauschen.
	g) Undichtigkeit in der Rohrleitung.	Rohrleitung prüfen und reparieren.
	h) Das Steigrohr ist schadhaf.	Steigrohr austauschen.
	i) Unterspannung.	Versorgungsspannung prüfen.

Störung	Ursache	Abhilfe
4. Häufiges Ein- und Ausschalten.	a) Die Differenz des Druckschalters zwischen Ein- und Ausschaltdruck ist zu klein.	Differenz vergrößern. Jedoch darf der Ausschaltdruck den Betriebsdruck des Druckbehälters nicht übersteigen, und der Einschaltdruck muss hoch genug sein, um eine ausreichende Wasserversorgung zu gewährleisten.
	b) Die Elektroden der Wasserstandssteuerung oder die Wasserstandsschalter im Behälter sind nicht richtig montiert.	Die Intervalle der Elektroden/Wasserstandsschalter einstellen, so dass zwischen Ein- und Ausschalten der Pumpe eine angemessene Zeit liegt. Montage- und Betriebsanleitungen der verwendeten automatischen Einrichtungen beachten. Wenn die Intervalle zwischen Ein- und Ausschalten nicht mit den automatischen Einrichtungen eingestellt werden können, Pumpenleistung reduzieren durch Drosselung des Druckventils.
	c) Das Rückschlagventil ist undicht oder ist in teilweise offener Stellung blockiert.	Pumpe ziehen und Rückschlagventil reinigen/auswechseln.
	d) Versorgungsspannung instabil.	Versorgungsspannung prüfen.
	e) Motortemperatur wird zu hoch.	Wassertemperatur prüfen.

10.1 Isolationswiderstandsprüfung

Eine Isolationswiderstandsprüfung darf nicht in einer Installation mit SQ/SQE Pumpen vorgenommen werden, da dadurch die eingebaute Elektronik beschädigt werden kann, siehe Abb. 13.



TM02 0689 5000

Abb. 13

11. Überprüfung der Spannungsversorgung

WARNUNG

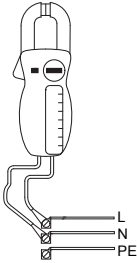
Stromschlag

Tod oder ernsthafte Personenschäden



- Vor Beginn jeder Arbeit an der Pumpe oder am Motor muss die Versorgungsspannung unbedingt abgeschaltet werden. Es muss sichergestellt werden, dass diese nicht versehentlich wieder eingeschaltet werden kann.

1. Netzspannung

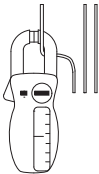


TM00 1371 4904

Spannung zwischen Phase und Nulleiter (Effektiv-Messgerät) messen. Voltmeter mit den Klemmen an der Anschlussstelle verbinden.

Die anliegende Spannung während des Betriebes darf nicht von dem im Abschnitt **5. Elektrischer Anschluss** angegebenen Spannungsbereich abweichen. Große Spannungsschwankungen deuten auf eine schlechte Stromversorgung hin, und die Pumpe muss abgeschaltet werden, bis der Fehler behoben worden ist.

2. Stromaufnahme



TM00 1372 5082

Stromstärke jeder Phase (Effektiv-Messgerät) messen, während die Pumpe gegen einen konstanten Förderdruck läuft (wenn möglich, bei der Leistung, bei der der Motor am meisten belastet ist).

Max. Strom, siehe Leistungsschild.

Wenn der maximale Betriebsstrom überschritten wird, sind folgende Fehler möglich:

- Schlechte Verbindung in den Drähten, möglicherweise im Kabelverbinder.
- Zu niedrige Netzspannung. Siehe Punkt 1.

12. Umwelt

Während des Einsatzes, Betriebes, Lagerung und Transportes sind die jeweiligen Umweltschutzverordnungen und örtlichen Bestimmungen über den Umgang mit gefährlichen Stoffen zu befolgen.

WARNUNG

Ätzender Stoff

Tod oder ernsthafte Personenschäden



- Bei der Außerbetriebnahme der Pumpe muss sichergestellt werden, dass sich keine Reste eventuell gefährlicher Stoffe in der Pumpe befinden, um zu verhindern, dass eine Gesundheits- oder Umweltgefahr entsteht.

Im Zweifelsfall nehmen Sie bitte mit Grundfos oder den örtlichen Behörden Verbindung auf.

13. Entsorgung

Dieses Produkt sowie Teile davon müssen umweltgerecht entsorgt werden:

1. Nutzen Sie die öffentlichen oder privaten Entsorgungsgesellschaften.
2. Ist das nicht möglich, wenden Sie sich bitte an die nächste Grundfos Gesellschaft oder Werkstatt.

Technische Änderungen vorbehalten.

Oversættelse af den originale engelske udgave

INDHOLDSFORTEGNELSE

	Side
1. Symboler brugt i dette dokument	65
2. Generelt	66
2.1 Anvendelse	66
3. Tekniske data	67
3.1 Lagring	67
3.2 Lydtryksniveau	67
4. Klargøring	67
4.1 Påfyldning af motorvæske	67
4.2 Placeringskrav	68
4.3 Medietemperatur/køling	68
5. El-tilslutning	69
5.1 Generelt	69
5.2 Motorbeskyttelse	69
5.3 Tilslutning af motor	69
6. Installation	70
6.1 Generelt	70
6.2 Samling af pumpedel og motor	70
6.3 Afmontering af kontraventil	70
6.4 Montering af kabelstik på motoren	71
6.5 Montering af kabelbeskytter	71
6.6 Valg af dykkabel	72
6.7 Montering af dykkabel	73
6.8 Rørtilslutning	73
7. Idriftsætning	74
8. Drift	74
8.1 Min. flow	74
8.2 Dimensionering af membranbeholder samt indstilling af fortryk og pressostat	74
8.4 Indbygget beskyttelse	76
9. Vedligeholdelse og service	76
9.1 Forurenede pumper	76
10. Fejlfinding	77
10.1 Megning	78
11. Kontrol af strømforsyning	79
12. Miljø	79
13. Bortskaffelse	79



Læs dette dokument før installation. Følg lokale forskrifter og gængs praksis ved installation og drift.



Dette apparat må anvendes af børn over 8 år og personer med begrænsede fysiske, sansemæssige eller mentale evner samt personer med manglende erfaring med og kendskab til produktet, forudsat at de er under opsyn eller har fået klare instrukser vedrørende sikker brug af apparatet og forstår den dermed forbundne risiko.

Børn må ikke lege med dette apparat. Rengøring og vedligeholdelse af apparatet må ikke foretages af børn uden opsyn.

1. Symboler brugt i dette dokument

FARE



Angiver en farlig situation som, hvis den ikke undgås, vil resultere i død eller alvorlig personskade.

ADVARSEL



Angiver en farlig situation som, hvis den ikke undgås, kan resultere i død eller alvorlig personskade.

FORSIGTIG



Angiver en farlig situation som, hvis den ikke undgås, kan resultere i lettere personskade.

Teksten der ledsager de tre faresymboler FARE, ADVARSEL og FORSIGTIG, har denne opbygning:

SIGNALORD



Beskrivelse af faren

Hvad er konsekvensen hvis du ignorerer advarslen.
- Hvad skal du gøre for at undgå faren.



En blå eller grå cirkel med et hvidt grafisk symbol viser at der skal foretages en handling.



En rød eller grå cirkel med en skråstreg og eventuelt et sort grafisk symbol viser at en handling ikke må foretages eller skal stoppes.



Hvis disse anvisninger ikke overholdes, kan det medføre funktionsfejl eller skade på udstyret.



Tips og råd som gør arbejdet lettere.

2. Generelt

ADVARSEL



Elektrisk stød

Død eller alvorlig personskaade
- Pumpen må ikke bruges når der er personer i vandet.

På side 412 i denne monterings- og driftsinstruktion, findes kopier af pumpens og motorens typeskilte.

Før SQ/SQE pumpen sænkes ned i boringen, skal denne side udfyldes med de relevante data.

Denne monterings- og driftsinstruktion skal opbevares på et tørt sted tæt ved installationsstedet.

2.1 Anvendelse

SQ og **SQE** pumper bruges til pumpning af rene, tyndtflydende, ikke-aggressive, ikke-eksplosive medier uden indhold af faste bestanddele eller fibre. Typiske anvendelsesområder:

- Grundvandsforsyning til
 - beboelsesejendomme
 - mindre vandværker
 - kunstvandingensanlæg, f.eks. i drivhuse.
- Væsketransport i tankanlæg.
- Trykførøgning.

SQE-NE pumper bruges til pumpning af rene, tyndtflydende, ikke-eksplosive medier uden indhold af faste bestanddele eller fibre.

Disse pumper må bruges til pumpning af forurenset grundvand eller grundvand med indhold af hydrogenkarbonat fra f.eks.

- lossepladser
- kemikaliepladser
- industrigrunde
- olie- og benzinstationer
- miljøformål.

SQE-NE pumper kan desuden bruges til prøvetagning og overvågning samt i mindre omfang til indbygning i vandbehandlingsanlæg.

Gælder for alle pumpetyper

Vandets maksimale sandindhold må ikke overstige 50 g/m³. Et større sandindhold vil formindskes pumpens levetid og forøge risikoen for tilstopning af pumpen.



Ved pumpning af medier med større viskositet end vands, kontakt Grundfos.

pH værdier:

SQ og SQE: 5 til 9.

SQE-NE: Kontakt Grundfos.

Medietemperatur:

Medietemperaturen må ikke overstige 35 °C.

3. Tekniske data

Forsyningsspænding

1 x 200-240 V - 10 %/+ 6 %, 50/60 Hz, PE.
 Generatordrift: Generatorens ydelse skal mindst svare til motorens P₁ [kW] + 10 %.

Startstrøm

Motorens startstrøm er lig med den højeste strøm, der er angivet på motorens typeskilt.

Effektfaktor

PF = 1.

Motorvæske

Type SML 2.

Motorkabel

1,5 m, 3 x 1,5 mm², PE.

Medietemperatur

Maks. 35 °C.

Rørtilslutning

SQ 1, SQ 2, SQ 3: Rp 1 1/4.

SQ 5, SQ 7: Rp 1 1/2.

Pumpediameter

74 mm.

Boringsdiameter

Min. 76 mm.

Installationsdybde

Maks. 150 m under statisk vandspejl.
 Se også afsnit [6.8.2 Installationsdybder](#).

Nettovægt

Maks. 6,5 kg.

3.1 Lagring

Lagertemperatur: -20 °C til +60 °C.

3.1.1 Frostsikring

Hvis pumpen skal lægges på lager, efter at den har været brugt, skal den lagres frostfrit, eller det skal sikres, at motorvæsken er frostsikret.

Motoren må ikke lægges på lager uden at være påfyldt motorvæske.

3.2 Lydtryksniveau

Pumpens lydtryksniveau ligger under de grænseværdier, der er angivet i Europarådets direktiv 2006/42/EF (maskindirektivet).

4. Klargøring

Grundfos MS 3 og MSE 3 dykmotorer har vand-smurte glidelejer. Der kræves ingen yderligere smøring.

Dykmotorerne er fra fabrikken påfyldt en speciel Grundfos motorvæske, type SML 2, som er frostsikker ned til -20 °C og konserveret for at undgå vækst af bakterier.

Væskestanden i motoren er afgørende for lejernes levetid og dermed motorens.

4.1 Påfyldning af motorvæske

Hvis motorvæsken af en eller anden grund er aftappet eller løbet ud, skal motoren efterfyldes med Grundfos motorvæske SML 2.

Efterfyld motoren på følgende måde:

1. Demontér kabelbeskytteren og adskil pumpedelen fra motoren.

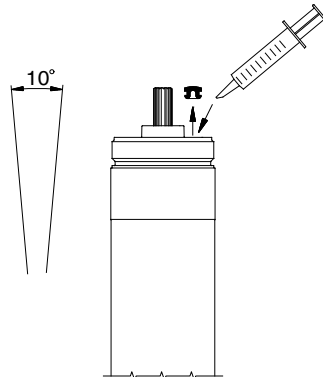


Fig. 1

2. Placér motoren i vertikal stilling med en hældning på ca. 10 °.
 3. Demontér fyldeproppen med en skruetrækker eller et lignende værktøj.
 4. Fyld væske i motoren med en fyldesprøjte eller lignende.
 5. Bevæg motoren frem og tilbage, så eventuel luft kan komme ud.
 6. Montér fyldeproppen og kontrollér, at den er tæt.
 7. Saml pumpedel og motor.
 8. Montér kabelbeskytteren.
- Pumpen er nu klar til montering.

TM02 9606 3504

4.2 Placeringskrav

Pumpen er egnet til såvel vertikal som horisontal installation, dog **må** pumpeakselen **ikke** komme under det horisontale plan. Se fig. 2.

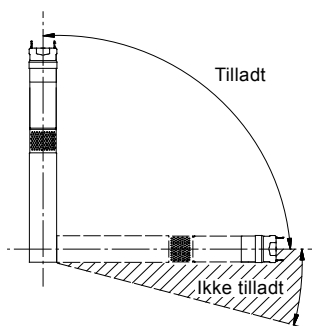


Fig. 2

Installeres pumpen horisontalt, f.eks. i en tank, og der er risiko for, at pumpen bliver dækket af slam, skal den monteres i en kølekappe.

For installationsdybder, se afsnit

[6.8.2 Installationsdybder](#).

4.3 Medietemperatur/køling

Fig. 3 viser en SQ/SQE pumpe installeret i en boring. Pumpen er i drift.

Fig. 3 illustrerer følgende:

- boringens diameter
- pumpens diameter
- pumpemediets temperatur
- strømning forbi motoren til pumpens indløbssi.

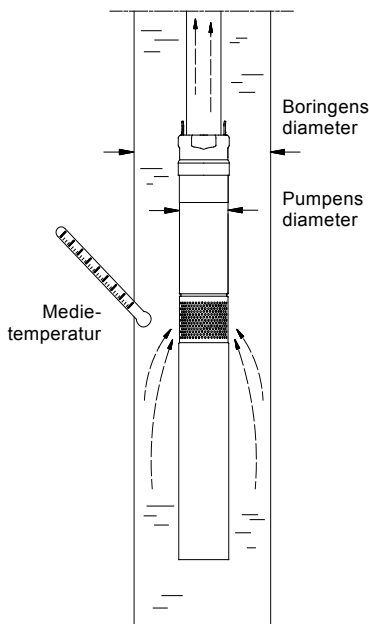


Fig. 3

For at sikre tilstrækkelig køling af motoren er det vigtigt at overholde den maksimale medietemperatur på 35 °C under alle forhold.



Boringens diameter skal være mindst 76 mm (ca. 3").

Motoren bør altid installeres over boringsfilteret. Hvis der bruges kølekappe, kan pumpen installeres frit i boringen.



Det frarådes at lade pumpen køre med afspærret afgangsledning i mere end 5 minutter. Når pumpens afgangsledning afspærres, er der intet køleflow. Hermed opstår der risiko for høje temperaturer i motor og pumpe.

Hvis den aktuelle medietemperatur overstiger den specificerede værdi, eller hvis driftsforholdene i øvrigt ligger uden for specifikationerne, kan pumpen stoppe. Kontakt Grundfos.

TM01 1375 4397

TM01 0518 1297

5. El-tilslutning

5.1 Generelt

El-tilslutning skal foretages af en autoriseret el-installatør i overensstemmelse med de lokalt gældende regler.

ADVARSEL

Elektrisk stød

Død eller alvorlig personskade

- Før arbejdet på pumpen påbegyndes, skal det sikres, at strømforsyningen er afbrudt, og at den ikke uforvarende kan genindkobles.
- Pumpen skal forbindes til jord.
- Pumpen skal tilsluttes en ekstern netspændingsafbryder med en brydeafstand på minimum 3 mm i alle poler.
- Hvis motorkablet bliver beskadiget, skal det udskiftes af Grundfos, et autoriseret Grundfos serviceværksted eller en tilsvarende uddannet person for at undgå, at der opstår fare.



Forsyningsspænding, påstemplet maks. strøm og effektfaktor (PF) fremgår af motorens typeskilt.

Den krævede spænding for Grundfos dykmotorer målt ved motorens klemmer er - 10 %/+ 6 % af nominal spænding ved kontinuerlig drift (inkl. variation i forsyningsspændingen og tab i kabler).

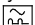
ADVARSEL

Elektrisk stød

Død eller alvorlig personskade

- Tilsluttes pumpen en elektrisk installation, hvor der bruges fejlstrømsafbryder, **skal** denne være af typen HPFI eller PFI, som afbryder, når der registreres en fejlstrøm med DC-indhold (pulserende jævnstrøm).



Fejlstrømsafbryderen **skal** være mærket med det viste symbol: .

Forsyningsspænding

1 x 200-240 V - 10 %/+ 6 %, 50/60 Hz, PE.

Strømforbrug kan kun måles med et RMS-visende instrument. Hvis der bruges andre instrumenter, vil den aflæste værdi afvige fra den aktuelle værdi.

Der kan typisk måles en lækstrøm på SQ/SQE pumper på 2,5 mA ved 230 V, 50 Hz. Lækstrømmen er proportional med forsyningsspændingen.

SQE og SQE-NE pumperne kan tilsluttes en kontrolboks, type CU 300 eller CU 301.



Pumpen må ikke tilsluttes en kondensator eller en anden type kontrolboks end CU 300 eller CU 301.
Pumpen må ikke tilsluttes en ekstern frekvensomformer.

5.2 Motorbeskyttelse

Motoren har indbygget termoafbryder og kræver derfor ikke yderligere motorbeskyttelse.

5.3 Tilslutning af motor

Motoren har en indbygget startanordning og kan derfor tilsluttes direkte til nettet.

Start/stop af pumpen vil typisk være styret via en pressostat. Se fig. 4.



Pressostaten skal være dimensioneret til den specifikke pumpe-types maks. strøm.

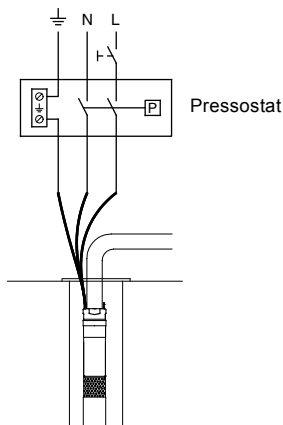


Fig. 4

6. Installation

6.1 Generelt

ADVARSEL

Elektrisk stød

Død eller alvorlig personskade



- Før arbejdet på pumpen/motoren påbegyndes, skal strømforsyningen være afbrudt, og det skal sikres, at den ikke uforvarende kan genindkobles.



Pumpen må ikke sænkes eller løftes i motorkablet.

Det løse typeskilt, som leveres med pumpen, skal monteres tæt ved installationsstedet.

6.2 Samling af pumpedel og motor

Saml pumpedel og motor på følgende måde:

1. Placér motoren horisontalt i en skruestik og spænd denne. Se fig. 6.
2. Træk pumpeakselen ud til den position, som er vist i fig. 5.

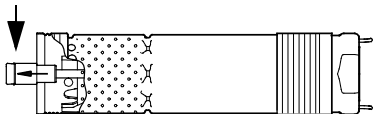


Fig. 5

3. Smør motorens akselende med det medleverede fedt.
4. Skru pumpedelen på motoren (55 Nm).

Bemærk: Pumpeakselen skal gå i indgreb med motorakselen.

Der må bruges en skrueøgle på pumpedelens spændeflader. Se fig. 6.

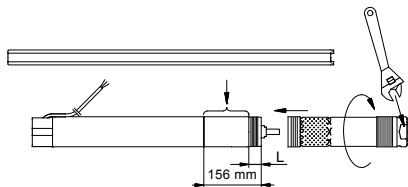


Fig. 6

Motor (P2) [kW]	L [mm]
0,70	120
1,15	102
1,68	66
1,85	66

Når pumpedel og motor er samlet korrekt, må der ikke være mellemrum mellem pumpedel og motor.

6.3 Afmontering af kontraventil

Hvis der ønskes en pumpe uden kontraventil, kan ventilen afmonteres på følgende måde:

1. Klip de fire ben på ventilstyret af ved hjælp af en skævbider eller lignende. Se fig. 7.
2. Vend pumpen, så afgangsåbningen vender nedad.
3. Kontrollér, at alle de løse dele kommer ud af pumpen.

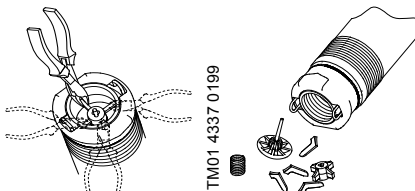


Fig. 7



SQE-NE leveres uden kontraventil.

Kontraventilen kan eftermonteres på Grundfos serviceværksted.

6.4 Montering af kabelstik på motoren

ADVARSEL

Elektrisk stød

Død eller alvorlig personskade



- Motorstikket må under ingen omstændigheder afmonteres af brugeren.
- Kablet med stik skal monteres/demonteres af et autoriseret Grundfos serviceværksted eller tilsvarende instrueret person.

Nedenstående beskrivelse er udelukkende henvendt til servicepersonale. Hvis motorkablet ønskes udskiftet, se afsnit [5.1 Generelt](#).

Det medleverede kabelstik er fedtsmurt fra fabrikken. Kontrollér, at stikket er smurt korrekt.

Montér kabelstikket på følgende måde:

1. Kontrollér, at kablet er af korrekt type, tværsnit og længde.
2. Kontrollér, at forsyningsspændingen på stedet har korrekt tilslutning til jord.
3. Kontrollér, at motorstikket er rent og tørt. Kontrollér, at den medleverede pakning er monteret.
4. Pres kabelstikket på motorstikket. Kabelstikket kan ikke monteres forkert. Se fig. 8.

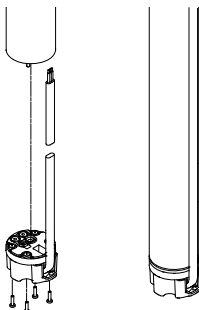


Fig. 8

5. Montér og spænd de fire skruer (1 - 1,5 Nm). Se fig. 8.

Når stikket er monteret, må der ikke være mellemrum mellem motor og kabelstik.

TM02 9605 3504

6.5 Montering af kabelbeskytter

Montér kabelbeskytteren på følgende måde:

1. Læg dykkkablet fladt i kabelbeskytteren.
2. Placér kabelbeskytteren i indhakket i kabelstikket. Kabelbeskytterens to flige skal gå i indgreb med den øverste kant af pumpe svøbet. Se fig. 9.

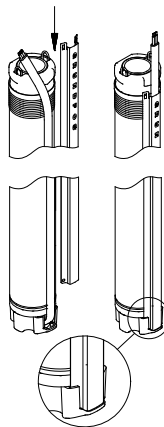


Fig. 9

3. Fastgør kabelbeskytteren til pumpe svøbets indløbsi med de to medleverede selvskærende skruer. Se fig. 10.

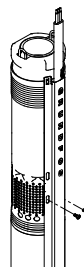


Fig. 10

TM02 9613 3504

TM01 4427 0299

6.6 Valg af dykkabel

Grundfos kan levere dykkabler til et bredt udsnit af installationer.

Forsigtig

Dykkablet skal vælges med så stort tværsnit, at spændingskravene, som er beskrevet i afsnit [5.1 Generelt](#), opfyldes.

Værdierne i nedenstående tabel er beregnet ud fra følgende formel:

$$q = \frac{I \times 2 \times 100 \times PF \times L \times \rho}{U \times \Delta U}$$

q = Dykkabletværsnit [mm²].

I = Motorens påstemplede maks. strøm [A].

PF = 1,0.

L = Dykkablelængde [m].

ρ = Specifik modstand: 0,02 [Ωmm²/m].

U = Nominel spænding [V].

ΔU = Spændingsfald [%] = 4 %.

De 4 % spændingsfald er i henhold til IEC 3-64, HD-384 serie.

Beregningen giver følgende maks. kabellængder ved en forsyningsspænding på 240 V:

		Maks. kabellængde [m]					
Motor (P2)	I _N [A]	Kabeldimension					
		1,5 mm ²	2,1 mm ² 14 AWG	2,5 mm ²	3,3 mm ² / 12 AWG	4 mm ²	6 mm ²
[kW]							
0,7	5,2	80	112	133	176	213	320
1,15	8,4	50	69	83	109	132	198
1,68	11,2	37	52	62	82	99	149
1,85	12	35	49	58	76	92	139

6.7 Montering af dykkabel

Det anbefales at samle dykkabel og motorkabel ved hjælp af Grundfos kabelsamlesæt, type KM.

Kablsamlesæt, type KM	
Ledertværsnit	Produktnummer
1,5 til 6,0 mm ²	96021473

For større ledertværsnit, kontakt Grundfos.

6.8 Rørtilslutning

Skal der ved montering af stigerør bruges værktøj, f.eks. en kædetang, til fastholdelse af pumpen, må denne kun anbringes på pumpens topstykke.

Bruges plastrør, skal der bruges kompressionskobling ved overgang fra pumpe til første rørsektion.



Ved pumper monteret med plastrør må der ved pumpens dybdeplacering tages hensyn til plastrørens forlængelse under belastning.

Bruges flangerør, bør flangerne have en udskæring for dykkablet.

Fig. 11 viser en pumpeinstallation med angivelse af:

- placering af kabelbindere, pos. 1, og afstand mellem kabelbinderne.
- montering af sikringswire, pos. 2.
- maks. installationsdybde under statisk vandspejl.

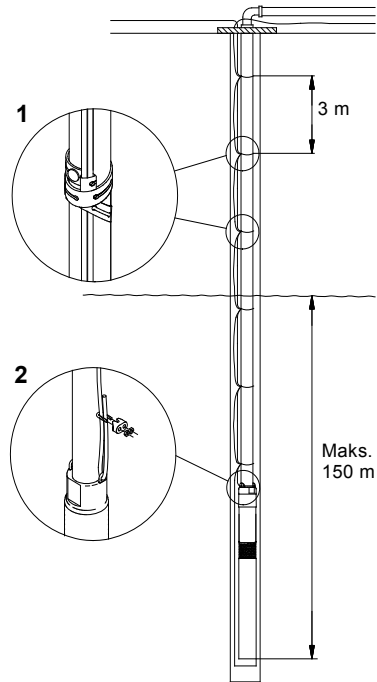


Fig. 11

6.8.1 Kabelbindere

Kabelbindere skal bruges for hver ca. 3 m. Se fig. 11.

Bruges plastrør, skal dykkablet have et slip mellem hver kabelbinding på grund af plastrørens forlængelse under belastning.

Bruges flangerør, foretages desuden binding over og under hver flangesamling.

TM01 0480-4397

6.8.2 Installationsdybder

Maks. installationsdybde under statisk vandspejl: 150 m, se fig. 11.

Min. installationsdybde under dynamisk vandspejl:

- **Vertikal installation:**
Under opstart og drift skal pumpen altid være helt neddykket i vandet.
- **Horisontal installation:**
Pumpen skal installeres og køre under mindst 0,5 m vand.
Hvis der er risiko for, at pumpen bliver dækket af slam, skal den altid være monteret i en køleka-
ppe.

6.8.3 Nedsænkning af pumpen

Det anbefales at sikre pumpen med en aflastet sikringswire. Se fig. 11, pos. 2.

Slæk sikringswiren så meget, at denne netop er ubelastet, og fastgør derefter wiren med wireløse til borerørsafslutningen.



Sikringswiren må ikke bruges til at trække pumpen med stigerør op af boringen.



Pumpen må ikke sænkes eller løftes i motorkablet.

7. Idriftsætning

Kontrollér, at boringen mindst kan yde den vandmængde, som svarer til pumpens kapacitet.

Pumpen må først startes, når den er helt neddykket i pumpemediet.

Start pumpen og stop den ikke, før pumpemediet er helt rent, da pumpens dele og kontraventilen ellers kan blive tilstoppet.

8. Drift

8.1 Min. flow

Af hensyn til motorens køling må pumpens ydelse ikke indstilles lavere end 50 l/h.

Hvis flowet pludselig falder, kan det skyldes, at pumpen pumper mere vand, end boringen kan yde. Pumpen skal stoppes og fejl udbedres.



Pumpens tørløbsikring virker kun inden for pumpens anbefalede driftsomåde.

8.2 Dimensionering af membranbeholder samt indstilling af fortryk og pressostat

ADVARSEL



Anlæg under tryk

Død eller alvorlig personskade

- Anlægget skal være dimensioneret til pumpen maks. tryk.

Da pumpen har en indbygget softstarter, der bevirker, at opstartstiden er 2 sek., vil trykket ved pressostaten og membranbeholderen efter start blive lavere end pressostatens indstillede starttryk (p_{start}). Dette lavere tryk kaldes minimumstrykket (p_{min}).

p_{min} er lig med det ønskede minimumstryk ved øverste tæppested + løftehøjden og rørtabet fra pressostaten og membranbeholderen til øverste tæppested ($p_{min} = B + C$). Se fig. 12.

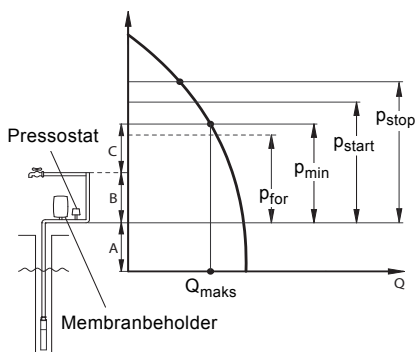


Fig. 12

- A: Løftehøjde + rørtab fra dynamisk vandspejl til membranbeholder.
- B: Løftehøjde + rørtab fra membranbeholder til øverste tæppested.
- C: Minimumstryk ved øverste tæppested.



Det skal sikres, at den valgte pumpe kan levere et tryk, der er større end $p_{stop} + A$.

- p_{for} : Fortryk.
- p_{min} : Ønsket minimumstryk.
- p_{start} : Starttryk indstillet på pressostat.
- p_{stop} : Stoptryk indstillet på pressostat.
- Q_{maks} : Maks. flow ved p_{min} .

TM00 6445 3795

8.3 Overtryk i brøndanlæg

Installér en trykaflastningsventil nedstrøms for brøndhovedet for at beskytte anlægget mod overtryk. Trykaflastningsventilens sætpunkt skal være mindst 30 psi over det indstillede tryk.

Hvis du installerer en trykaflastningsventil, anbefaler vi at du slutter den til et passende afløbspunkt.

Når man kender p_{\min} og Q_{\max} , kan man finde **mindste** anvendelige membranbeholderstørrelse, fortryk og pressostatindstillinger i den vejledende tabel nedenfor:

Eksempel

$p_{\min} = 35$ mVS, $Q_{\max} = 2,5$ m³/h.

På basis af disse oplysninger kan følgende værdier udledes af tabellen:

Mindste anvendelige membranbeholderstørrelse = 33 l.

$p_{\text{for}} = 31,5$ mVS.

$p_{\text{start}} = 36$ mVS.

$p_{\text{stop}} = 50$ mVS.

p_{\min} [m]	Q_{\max} [m ² /h]																p_{for} [m]	p_{start} [m]	p_{stop} [m]		
	0,6	0,8	1	1,2	1,5	2	2,5	3	3,5	4	4,5	5	5,5	6	6,5	7				7,5	8
Membranbeholderstørrelse [liter]																					
25	8	8	18	18	18	18	24	33	33	50	50	50	50	80	80	80	80	80	22,5	26	40
30	8	8	18	18	18	24	33	33	50	50	50	50	80	80	80	80	80		27	31	45
35	8	18	18	18	18	24	33	33	50	50	50	80	80	80	80	80			31,5	36	50
40	8	18	18	18	18	24	33	50	50	50	80	80	80	80	80				36	41	55
45	8	18	18	18	24	33	33	50	50	50	80	80	80	80					40,5	46	60
50	8	18	18	18	24	33	50	50	50	80	80	80	80						45	51	65
55	18	18	18	18	24	33	50	50	50	80	80	80							49,5	56	70
60	18	18	18	18	24	33	50	50	80	80	80	80							54	61	75
65	18	18	18	24	24	33	50	50	80	80	80	80							58,5	66	80

1 mVS = 0,098 bar.

8.4 Indbygget beskyttelse

Motoren har en indbygget elektronisk enhed, som beskytter motoren i forskellige situationer.

I tilfælde af overbelastning vil den indbyggede overbelastningsbeskyttelse stoppe pumpen i 5 minutter. Efter denne periode vil pumpen forsøge at genstarte.

Hvis pumpen stopper på grund af tørløb, starter den automatisk efter 5 minutter.

Hvis pumpen genstartes, og boringen er tom, vil pumpen stoppe efter 30 sek.

Reset af pumpe: Afbryd strømforsyningen i 1 minut.

Motoren er desuden beskyttet i tilfælde af:

- tørløb
- transienter (op til 6000 V)
I områder med høj lynintensitet er en ekstern lynbeskyttelse påkrævet.
- overspænding
- underspænding
- overbelastning
- for høj temperatur.

SQE pumper/MSE 3 motorer



Via CU 300 eller CU 301 kan MSE 3 motorernes tørløbsstopgrænse justeres for tilpasning til det aktuelle anvendelsesområde.

9. Vedligeholdelse og service

Pumperne er normalt vedligeholdelsesfri.

Aflejringer og slid kan forekomme. Servicesæt og serviceværktøj kan leveres af Grundfos.

Grundfos Service Manual kan leveres på forespørgsel.

Pumperne kan serviceres på et Grundfos servicecenter.

9.1 Forurenede pumper



Hvis en pumpe har været brugt til et medie, der er sundhedsskadeligt eller giftigt, vil pumpen blive klassificeret som forurenede.

Ønskes en sådan pumpe servicecenteret af Grundfos, skal Grundfos kontaktes med oplysninger om pumpe og medie m.m., før pumpen returneres for service. I modsat fald kan Grundfos nægte at modtage og servicere pumpen.

I øvrigt skal man ved enhver henvendelse om service, uanset hvor, give detaljerede oplysninger om pumpemediet, når pumpen har været brugt til sundhedsfarlige eller giftige medier.

SQE-NE: Kun pumper, der kan certificeres som ikke forurenede, dvs. uden indhold af farlige og/eller giftige stoffer, kan returneres til Grundfos til servicering.

Af hensyn til arbejds- og miljø sikkerheden kræves en sikkerheds erklæring om, at pumpen er ren.

Sikkerheds erklæringen skal være Grundfos i hænde før pumpen. I modsat fald vil Grundfos nægte at modtage og servicere pumpen.

Eventuelle omkostninger forbundet med returneringen af pumpen afholdes af kunden.

10. Fejlfinding

FORSIGTIG

Elektrisk stød

Lettere personskade



- Før arbejdet på pumpen/motoren påbegyndes, skal strømforsyningen være afbrudt, og det skal sikres, at den ikke uforvarende kan genindkobles.

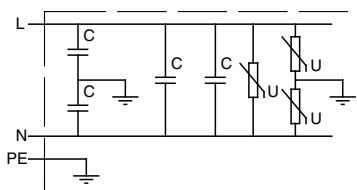
Fejl	Årsag	Afhjælpning
1. Pumpen kører ikke.	a) Sikringerne i el-installationen er brændt.	Udskift sikringerne. Brænder de nye sikringer også, kontrolleres el-installationen og dykkablet.
	b) HPFI-relæ, PFI-relæ eller fejlspændingsafbryder er udkoblet.	Indkobl relæet eller afbryderen.
	c) Ingen elektricitetsforsyning.	Kontakt el-selskabet.
	d) Motorbeskyttelsen er udløst på grund af overbelastning.	Kontrollér, om motor/pumpe er blokeret.
	e) Pumpe/dykkabel er defekt.	Reparér/udskift Pumpe/kabel.
	f) Der forekommer overspænding eller underspænding.	Kontrollér forsyningsspændingen.
2. Pumpen kører, men giver ikke vand.	a) Afgangsventilen er lukket.	Åbn ventilen.
	b) Ingen vand eller for lille vandstand i boringen.	Se punkt 3 a).
	c) Kontraventilen er blokeret i lukket stilling.	Træk pumpen op, og rens eller udskift ventilen.
	d) Indløbssien er tilstoppet.	Træk pumpen op, og rens indløbssien.
	e) Pumpen er defekt.	Reparér/udskift pumpen.
3. Pumpen kører med nedsat kapacitet.	a) Afsænkningen af vandspejlet er større end beregnet.	Forøg pumpens installationsdybde, reducer pumpeydelsen, eller udskift pumpen til en Pumpe med mindre kapacitet.
	b) Ventiler i afgangsledning er delvis lukkede/blokerede.	Efterse og evt. rens/udskift ventilerne.
	c) Afgangsledningen er delvis stoppet af urenheder (okker).	Rens/udskift afgangsledningen.
	d) Kontraventilen i pumpen er delvis blokeret.	Træk pumpen op, og rens/udskift ventilen.
	e) Pumpe og stigerør er delvis stoppet af urenheder (okker).	Træk pumpen op. Kontrollér og rens eller evt. udskift pumpen. Rens rørene.
	f) Pumpen er defekt.	Reparér/udskift pumpen.
	g) Lækage i rørinstallationen.	Kontrollér og reparér rørinstallationen.
	h) Stigerøret er defekt.	Udskift stigerøret.
	i) Der forekommer underspænding.	Kontrollér forsyningsspændingen.

Fejl	Årsag	Afhjælpning
4. Hyppige start og stop.	a) Trykafbryderens differens mellem start- og stoptryk er for lille.	Forøg differensen. Stoptrykket må dog ikke overstige hydroforens arbejdsdruk, og starttrykket skal være så højt, at det sikrer tilstrækkelig vandforsyning.
	b) Den automatiske vandstands kontrol eller niveauafbrydere i reservoir er ikke installeret korrekt.	Justér elektroderne/niveaufbryderne til rette indbyrdes afstand, som sikrer passende tid mellem indkobling og udkobling af pumpen. Se monterings- og driftsinstruktion for den brugte automatik. Kan intervallerne mellem stop/start ikke ændres ved automatikken, kan pumpens kapacitet eventuelt reduceres ved afgangsventilen.
	c) Kontraventilen er utæt eller sidder fast i halvåben position.	Træk pumpen op, og rens eller udskift kontraventilen.
	d) Forsyningsspændingen er ustabil.	Kontrollér forsyningsspændingen.
	e) Motortemperaturen bliver for høj.	Kontrollér vandtemperaturen.

10.1 Megning

Der må ikke foretages megning af en installation, hvor der er tilsluttet SQ/SQE pumper, da den indbyggede elektronik derved kan blive beskadiget.

Se fig. 13.



TIM02 0689 5000

Fig. 13

11. Kontrol af strømforsyning

ADVARSEL

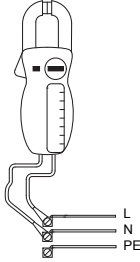
Elektrisk stød



Død eller alvorlig personskade

- Før arbejdet på pumpen/motoren påbegyndes, skal strømforsyningen være afbrudt, og det skal sikres, at den ikke uforvarende kan genindkobles.

1. Netspænding



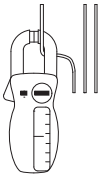
TM00 1371 4904

Mål spændingen (RMS) mellem fase og nul. Tilslut voltmeteret til klemmerne ved tilslutningsstedet.

Spændingen skal ved belastning ligge inden for intervallet, som er angivet i afsnit 5. *El-tilslutning*.

Stor variation i netspændingen er tegn på dårlig elektricitetsforsyning, og pumpen stoppes, indtil fejlen er rettet.

2. Strømforgbrug



TM00 1372 5082

Mål strømmen (RMS), mens pumpen kører med et konstant afgangstryk (hvis muligt ved en kapacitet, hvor motoren er mest belastet).

Maks. strøm, se typeskilt.

Hvis strømmen overstiger fuldlaststrømmen, foreligger følgende fejlmuligheder:

- Dårlig ledningsforbindelse, evt. i kabelsamling.
- For lav forsyningsspænding, se punkt 1.

12. Miljø

Ved håndtering, drift, lagring og transport skal de til enhver tid gældende miljøregulativer vedrørende omgang med farlige stoffer overholdes.

ADVARSEL

Ætsende stof



Død eller alvorlig personskade

- Når pumpen tages ud af drift, skal det sikres, at der ikke findes rester af evt. skadelige stoffer i pumpen/motoren og stigerøret, som kan skade enten mennesker eller miljø.

I tvivlstilfælde kontaktes Grundfos eller de lokale myndigheder.

13. Bortskaffelse

Dette produkt eller dele deraf skal bortskaffes på en miljørigtig måde:

1. Brug de offentlige eller godkendte, private renovationsordninger.
2. Hvis det ikke er muligt, kontakt nærmeste Grundfos-selskab eller -serviceværksted.

Ret til ændringer forbeholdes.

Eesti (EE) Paigaldus- ja kasutusjuhend

Tõlge ingliskeelsest originaalist

SISUKORD

	Lk
1. Selles dokumendis kasutatud sümbolid	80
2. Üldosa	81
2.1 Rakendused	81
3. Tehnilised andmed	82
3.1 Ladustamine	82
3.2 Müratase	82
4. Ettevalmistamine	82
4.1 Mootori täitmine vedelikuga	82
4.2 Paigaldusnõuded	83
4.3 Vedelike temperatuurid/jahutamine	83
5. Elektriühendused	84
5.1 Üldosa	84
5.2 Mootorkaitse	84
5.3 Mootori ühendamine	84
6. Paigaldamine	85
6.1 Üldosa	85
6.2 Pumbaosa ja mootori kokkumonteerimine	85
6.3 Tagasilöögiklapi eemaldamine	85
6.4 Kaablipistiku kinnitamine mootorile	86
6.5 Kaablikaitse paigaldamine	86
6.6 Kaabli andmed	87
6.7 Sukekkaabli ühendamine	88
6.8 Torustiku ühendamine	88
7. Käivitamine	89
8. Kasutamine	89
8.1 Minimaalne vooluhulk	89
8.2 Membraanhüdrafoor valimine ja eelrõhu ning rõhulüli seadistamine	89
8.3 Kaevusüsteemi rõhu ülekoormus	90
8.4 Sisseehitatud kaitse	91
9. Hooldustööd	91
9.1 Saastunud pumbad	91
10. Vead ja nende põhjused	92
10.1 Mõõtmine megeriga	93
11. Elektrisüsteemi kontrollimine	94
12. Keskkond	94
13. Utiliseerimine	94



Enne paigaldamist lugege läbi see dokument. Paigaldamine ja kasutamine peavad vastama kohalikele eeskirjadele ja hea tava nõuetele.



Järelevalve all võivad seda seadet kasutada lapsed alates 8 eluaastast ja inimesed, kes on osalise vaimse-, füüsilise puudega või kellel puuduvad teadmised antud tootega ringi käimiseks kui nad on saanud eelnevalt juhiseid kuidas tootega ohutult ringi käia ja nad saavad kaasnevatest ohtudest aru.

Lapsed ei tohi selle tootega mängida. Lapsed ei tohi ilma järelevalveta antud toodet puhastada ega hooldada.

1. Selles dokumendis kasutatud sümbolid

OHT



Näitab ohuolukorda, mille mitte vältimise korral võib see põhjustada surma või tõsiseid vigastusi.

HOIATUS



Näitab ohuolukorda, mille mitte vältimise korral võib see põhjustada surma või tõsiseid vigastusi.

ETTEVAATUST



Näitab ohuolukorda, mille mitte vältimise korral võib see põhjustada kergemaid või keskmiseid vigastusi.

Teksti kolm ohu sümbolit OHT, HOIATUS ja ETTEVAATUST on üles ehitatud järgmiselt:

MÄRKSONA



Ohu kirjeldus

Hoiatuse eiramise tagajärjed.
- Tegevus, et vältida ohu.



Sinine või hall ring koos valge graafilise sümboliga näitab, et teatud meetmed tuleb kasutusele võtta vältimaks ohu.



Punane või hall ring koos diagonaalse joonega, võib-olla koos musta graafilise sümboliga, keelab teatud tegevuse või selle lõpetamise.



Neist juhisetest mittekinnipidamine võib põhjustada seadmete mittetöötamise.



Tööd lihtsustavad vihjed ja nõuanded.

2. Üldosa

HOIATUS



Elektrilöök

Surm või tõsised vigastused
- Pumba ei tohi kasutada, kui inimesed on vees.

Käesoleva paigaldus- ja kasutusjuhendi leheküljel 412 on toodud pumba ja mootori andmesiltide joonised.

Enne SQ/SQE pumba puurkaevu laskmist tuleb see lehekülj täita vastavate pumba ja mootori andmesiltide andmetega.

Käesolevat paigaldus- ja kasutusjuhendit tuleb hoida kuivas kohas paigalduskoha läheduses.

2.1 Rakendused

SQ ja **SQE** pumbad on valmistatud vedelate, puhaste, mitteagressiivsete, mitteplahvatavate vedelike pumpamiseks, mis ei sisalda tahkeid osakesi või kiudusid.

Tüüprakendused:

- Põhjavee pumpamine
 - eramutes
 - väikestes veepuhastusjaamades
 - niisutussüsteemides, näiteks kasvuhooneis.
- Vedelike transportimine.
- Surve tõstmine.

SQE-NE pumbad on valmistatud vedelate, puhaste, mitteagressiivsete, mitteplahvatavate vedelike pumpamiseks, mis ei sisalda tahkeid osakesi või kiudusid.

Need pumbad sobivad ka saastatud või vesinikkarbonaate sisaldavate põhjavete pumpamiseks näiteks

- jäätmehooldaist
- kemikaalide ladudest
- tööstuspiirkondadest
- õli- ja bensiinijaamadest
- keskkonnaseadmeist.

SQE-NE pumbasid on võimalik kasutada ka proovivõtuks ja monitooringuks, teatud ulatuses samuti veetötlussüsteemides.

Kõigi pumbatüüpide osas kehtiv informatsioon:

Vee maksimaalne liivasisaldus ei tohi ületada 50 g/m³. Suurem liivasisaldus lühendab pumba tööiga ja suurendab ummistumise võimalust.



Juhul kui tuleb pumbata veest suurema viskoossusega vedelikke, pöörduge Grundfos'i esindaja poole.

pH väärtused:

SQ ja SQE: 5 kuni 9.
SQE-NE: pöörduge Grundfos'i esindaja poole.

Vedeliku temperatuur:

Pumbatava vedeliku temperatuur ei tohi ületada 35 °C.

3. Tehnilised andmed

Toitepinge:

1 x 200-240 V - 10 %/+ 6 %, 50/60 Hz, PE.
 Generaatori kasutamine: Tuleb kasutada
 vooluallikat, mille minimaalne väljundvõimsus võrdub
 vähemalt mootori võimsusega P_1 [kW] + 10 %.

Käivitusvool:

Mootori käivitusvool on võrdne mootori andmesildil
 toodud maksimaalse vooluga.

Võimsustegur:

PF = 1.

Mootori vedelik:

Tüüp SML 2.

Mootori kaabel:

1,5 m, 3 x 1,5 mm², PE.

Vedeliku temperatuur:

Maksimaalselt 35 °C.

Pumba väljundava mõõt:

SQ 1, SQ 2, SQ 3: Rp 1 1/4.

SQ 5, SQ 7: Rp 1 1/2.

Pumba läbimõõt:

74 mm.

Puurkaevu läbimõõt:

Vähemalt 76 mm.

Paigaldamissügavus:

Maksimaalselt 150 m allpool staatilist veetaset.
 Vaata ka p. [6.8.2 Paigaldussügavused](#).

Kaal:

Maksimaalselt 6,5 kg.

3.1 Ladustamine

Ladustamise temperatuur: -20 °C kuni +60 °C.

3.1.1 Külumiskaitse

Kui tuleb ladustada peale kasutamist, peab see
 toimuma külumise eest kaitstud kohas või tuleb
 veenduda, et mootori vedelik on külumiskindel.
 Mootorit ei tohi ladustada ilma vedelikuga täitmata.

3.2 Müratase

Pumba müratase on madalam kui näeb ette Euroopa
 Ühenduse Nõukogu masinaehituse direktiiv
 2006/42/EC.

4. Ettevalmistamine

Grundfos MS 3 ja MSE 3 sukelmootoritel on veega
 määratavad liuglaagrid. Täiendav määrimine pole
 vajalik.

Sukelmootorid täidetakse tehases spetsiaalse
 Grundfosi mootorivedelikuga (tüüp SML 2), mis on
 külmakindel temperatuurini -20 °C ja kaitseb
 bakterite paljunemise eest.

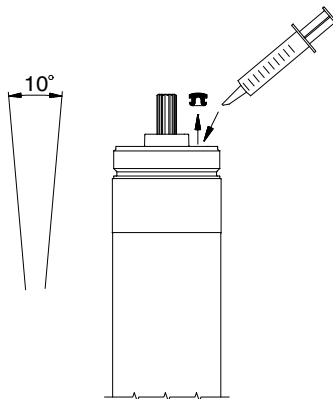
Mootorivedeliku tase on otsustava tähtsusega
 laagrite tööea ja järelikult kogu mootori tööea suhtes.

4.1 Mootori täitmine vedelikuga

Kui mingil põhjusel on mootori vedelik välja voolanud
 või kadunud, tuleb mootor täita Grundfos'i
 mootorivedelikuga SML 2.

Mootori täitmiseks talitage alljärgnevalt:

1. Eemaldage kaablikaits ja eraldage pumbaosa
 mootorist.

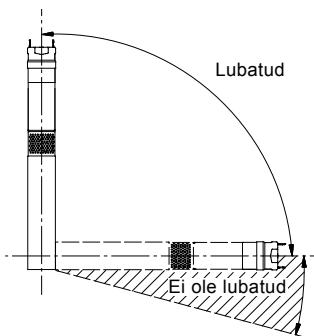


Joonis 1

2. Seadke mootor ligikaudu 10 ° kaldega
 vertikaalasendisse.
 3. Eemaldage täiteava kork, kasutades
 kruvikeerajat või muud abivahendit.
 4. Valage mootorisse mootorivedelikku, kasutades
 lehtrit või muud abivahendit.
 5. Öhu väljalaskmiseks loksutage mootorit küljelt
 küljele.
 6. Paigutage täiteava kork tagasi oma kohale ja
 sulgege tihedalt.
 7. Ühendage pumbaosa mootoriga.
 8. Paigaldage kaablikaits.
- Nüüd on pump kasutamiseks valmis.

4.2 Paigaldusnõuded

Pumpa on võimalik paigaldada nii vertikaal- kui horisontaalasendis, kuid pumba võll ei tohi mingil juhul langeda horisontaaltasandist allapoole, vt. joonis 2.



Joonis 2

Juhul kui pump tuleb paigaldada horisontaalselt, näiteks paaki ja eksisteerib oht, et pump võib kattuda mudaga, tuleb see paigutada vooluhülssi.

Paigaldussügavused: vaata osa

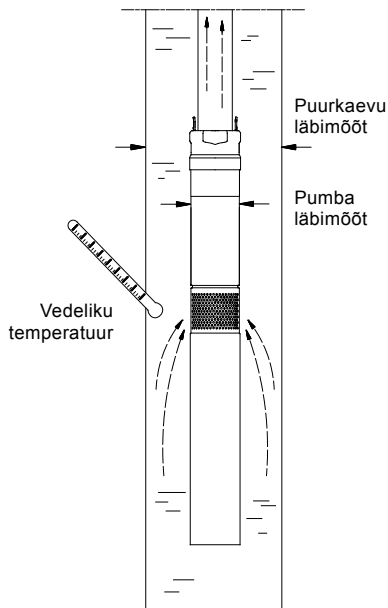
[6.8.2 Paigaldussügavused.](#)

4.3 Vedelike temperatuurid/jahutamine

Joonis 3 kujutab puurkaevu paigutatud SQ/SQE pumba. Pump töötab.

Joonis 3 illustreerib järgnevat:

- Puurkaevu läbimõõt
- Pumba läbimõõt
- Pumbatava vedeliku temperatuur
- Vool mootorist mööda pumba sisselaskefiltrisse.



Joonis 3

Mootorile piisava jahutuse tagamiseks, tuleb kõigil juhtudel kinni pidada maksimaalsest vedeliku temperatuurist 35 °C.



Puurkaevu läbimõõt peab olema vähemalt 76 mm (ligikaudu 3").

Mootor tuleb alati paigaldada kaevu filtrist kõrgemale. Juhul kui kasutatakse vooluhülssi, võib pumba vabalt puurkaevu paigutada.



Vältige pumba töötamist vastu kinnist survetoru kauem kui 5 minutit. Juhul kui survetoru on suletud, puudub jahutav vool ja mootor ning pump võivad ülekuumeneda.

Juhul kui pumbatava vedeliku tegelik temperatuur ületab lubatud maksimumväärtuse või kasutustingimused ei lange kokku lubatavatega, võib pump seiskuda. Sel juhul pöörduge Grundfos'i poole.

TM01 1375 4397

TM01 0518 1297

5. Elektriühendused

5.1 Üldosa

HOIATUS

Elektrilöök

Surm või tõsised vigastused

- Enne pumba juures mistahes tööde alustamist tuleb veenduda, et elektrivool on välja lülitatud ning et puudub võimalus selle juhuslikuks sisselülitamiseks.
- Pump peab olema maandatud.
- Pumba toiteahelas peab olema olema pealüliti, mille kontaktide vahe kõigil kontaktidel on vähemalt 3 mm.
- Kui mootorikaabel on vigastatud, peab selle ohu vältimiseks asendama Grundfos, Grundfosi volitatud hoolduspartner või samane kvalifitseeritud isik.



Toitepinge, maksimaalne töövool ja võimsustegur (PF) on toodud mootori andmesildil.

Grundfosi sukelmootorite nõutav toitepinge peab mootori kontaktidel mõttes olema - 10 %/+ 6 % nominaalpingest pideval töötamisel (kaasaarvatud toitepinge kõikumised ja kaod kaablites).

HOIATUS

Elektrilöök

Surm või tõsised vigastused

- Juhul kui pump on paigaldises, milles täiendava kaitsena kasutatakse lekkevoolukaitsset (ECLB), **peab** see lülituma välja niipea, kui ilmneb alaliskomponendiga (pulseeruv alalisvool) lekkevool.



Lekkevoolukaitselüliti **peab** olema markeeritud järgmise sümboliga:

Toitepinge:

1 x 200-240 V - 10 %/+ 6 %, 50/60 Hz, PE.

Voolutarvet võib mõõta ainult ruutkeskmise näiduga mõõteriista abil. Muude mõõteriistade kasutamisel saadav tulemus erineb tegelikust suurusest.

SQ/SQE pumpade puhul on tüüpiliselt mõõdetav lekkevool 2,5 mA pingel 230 V, 50 Hz. Lekkevool on proportsionaalne toitepingega.

SQE ja SQE-NE pumpasid on võimalik ühendada juhtplokiiga CU 300 või CU 301.



Pumpa ei tohi kunagi ühendada kondensaatoriga või muud tüüpi juhtplokiiga kui CU 300 või CU 301. Mingil juhul ei tohi pumba ühendada välise sagedusmuunduriga.

5.2 Mootorikaitse

Pumbal on sisseehitatud termiline ülekoormuskaitse ja ta ei vaja täiendavat välist kaitseseadet.

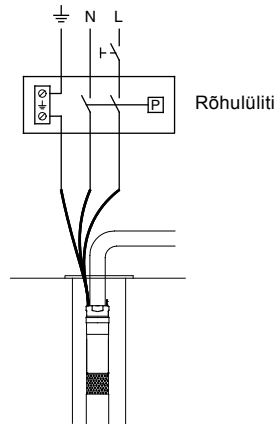
5.3 Mootori ühendamine

Mootor sisaldab käivitus/kaitse seadmeid ja seetõttu võib selle ühendada vahetult vooluvõrguga.

Pumba käivitamine/ seiskamine toimub tavaliselt rõhulüliti abil, vaata joonis 4.



Rõhulüliti nimivool peab vastama kasutatava pumba maksimaalsele töövoolele.



Joonis 4

6. Paigaldamine

6.1 Üldosa

HOIATUS

Elektrilöök

Surm või tõsised vigastused



- Enne pumba juures mistahes tööde alustamist tuleb veenduda, et elektrivool on välja lülitatud ning et puudub võimalus selle juhuslikuks sisselülitamiseks.



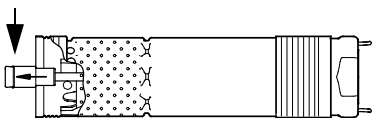
Vältige pumba allaskmist või tõstmist mootorikaablist kinni hoides.

Pumbaga koos tarnitav lahtine andmesilt tuleb kinnitada paigalduskoha lähedusse.

6.2 Pumbaosa ja mootori kokkumonteerimine

Pumbaosa ja mootori kokkumonteerimiseks toimige alljärgnevalt:

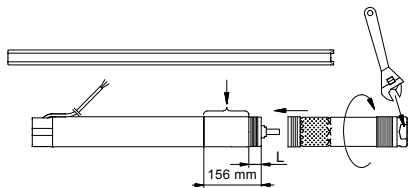
1. Paigutage mootor horisontaalselt kruustangide vahele ja kinnitage, vaata joonis 6.
2. Tõmmake pumba võlli väljapoole, vaata joonis 5.



TM02 8425 5203

Joonis 5

3. Määrige mootori võlli ots koos mootoriga tarnitava määrdega.
4. Keerake pumbaosa mootori külge (55 Nm).
Ettevaatus: Mootori võll peab haakuma pumba võlliga.
5. Pumbaosa kinnikeeramisel võib kasutada võtit, vaata joonis 6.



TM01 2854 2299

Joonis 6

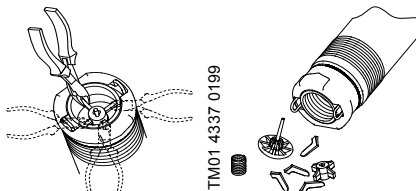
Mootor (P2) [kW]	L [mm]
0,70	120
1,15	102
1,68	66
1,85	66

Juhul kui pumbaosa ja mootor on teineteisega korralikult ühendatud, ei tohi nende vahele jääda mingit lõtku.

6.3 Tagasilöögiklapi eemaldamine

Juhul kui vajatakse tagasilöögiklapita pumba, on seda võimalik eemaldada järgnevalt:

1. Lõigake ära klapi juhtpuksi jalad, kasutades lõiketange, vaata joonis 7.
2. Pöörake pumba ülaosa allapoole.
3. Veenduge, et kõik kinnitamata osad kukuvad pumbast välja.



TM01 4337 0199

TM01 4338 0199

Joonis 7



SQE-NE tarnitakse ilma tagasilöögiklapita.

Tagasilöögiklapi võib paigaldada Grundfos'i hoolduspartneri juures.

6.4 Kaablipistiku kinnitamine mootorile

HOIATUS

Elektrilöökk

Surm või tõsised vigastused

- Mootori pistikut ei tohi mingitel tingimustel eemaldada kasutaja.
- Kaabli koos pistikuga peab paigaldama Grundfos volitatud hoolduspartner või analoogne kvalifitseeritud isik.

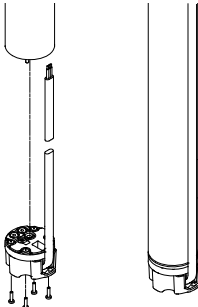


Järgnev kirjeldus on eranditult ettenähtud ainult hoolduspersonalile. Kui mootorikaabli peab asendama, vaata osa [5.1 Üldosa](#).

Mootoriga koos tarnitav kaablipistik on tehases kaetud määrdekihiga. Kontrollige, et pistik on korrektselt määrdekihiga kaetud.

Kaablipistiku paigaldamiseks talitage alljärgnevalt:

1. Kontrollige, kas kaabel on õiget tüüpi, sobiva ristlõike ja pikkusega.
2. Kontrollige, kas kohalik vooluvõrguühendus on korrektselt maandatud.
3. Kontrollige, kas mootori pesa on puhas ja kuiv. Veenduge, et tihend on paigaldatud.
4. Suruge kaablipistik mootoril olevasse pesa. Pistikut pole võimalik valesti ühendada, vaata joonis 8.
5. Paigaldage ja keerake kinni neli kruvi (1 - 1,5 Nm), vaata joonis 8.



Joonis 8

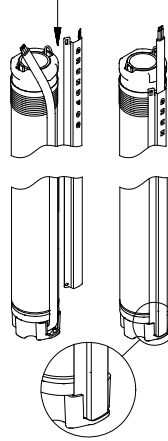
Pärast pistiku paigaldamist ei tohi mootori ja kaablipistiku vahele jääda mingit lõtku.

TM02 9605 3504

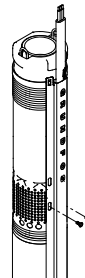
6.5 Kaablikaitse paigaldamine

Kaablikaitse paigaldamiseks talitage alljärgnevalt:

1. Veenduge, et sukelkaabel paikneb ühtlaselt kaablikaitse.
2. Paigaldage kaablikaitse kaablipistiku pilusse. Kaablikaitse kaks kõrva peavad haarduma pumba ülaserivaga, vaata joonis 9.
3. Kinnitage kaablikaitse pumba imifiltri külge kahe kaasasoleva löikekruviga, vaata joonis 10.



Joonis 9



Joonis 10

TM02 9613 3504

TM01 4427 0299

6.6 Kaabli andmed

Grundfos võib tarnida sukelkaableid erinevate rakenduste jaoks.

Ettevaatus! Sukelkaabli ristlõige peab olema küllaldane [5.1 Üldosa](#) spetsifitseeritud toitevoolu nõuete täitmiseks.

Tabelis toodud andmed on arvutatud alljärgneva valemi abil:

$$q = \frac{I \times 2 \times 100 \times PF \times L \times \rho}{U \times \Delta U}$$

q = sukelkaabli ristlõikepindala [mm²].

I = mootori maksimaalne vool [A].

PF = 1,0.

L = sukelkaabli pikkus [m].

ρ = eritakistus: 0,02 [Ωmm²/m].

U = nimipinge [V].

ΔU = pingelang [%] = 4 %.

Pingelang 4 % vastab IEC 3-64, HD-384 nõuetele.

Arvutused annavad toitepingel 240 V alljärgnevas tabelis toodud kaabli maksimaalsed pikkused:

Kaabli maksimaalne pikkus [m]							
Mootor (P2)	I_N [A]	Kaabli mõõt					
		1,5 mm ²	2,1 mm ² / 14 AWG	2,5 mm ²	3,3 mm ² / 12 AWG	4 mm ²	6 mm ²
[kW]							
0,7	5,2	80	112	133	176	213	320
1,15	8,4	50	69	83	109	132	198
1,68	11,2	37	52	62	82	99	149
1,85	12	35	49	58	76	92	139

6.7 Sukekaabli ühendamine

Soovitav on ühendada sukekaabel ja mootorikaabel Grundfosi kaabli ühenduskomplekti KM abil.

Kaabli ühenduskomplekt, tüüp KM	
Ristlõikepindala	Toote kood
1,5 kuni 6,0 mm ²	96021473

Suuremate ristlõikepindalade puhul palume pöörduda Grundfosi poole.

6.8 Torustiku ühendamine

Juhul kui torustiku ühendamisel pumbaga kasutatakse mõnd tööriista, näiteks toruvõtit, tohib pumba haarata ainult ülemisest kambrist.

Plasttorude kasutamisel tuleb pumba ja toru vahel kasutada surveliitmikku.

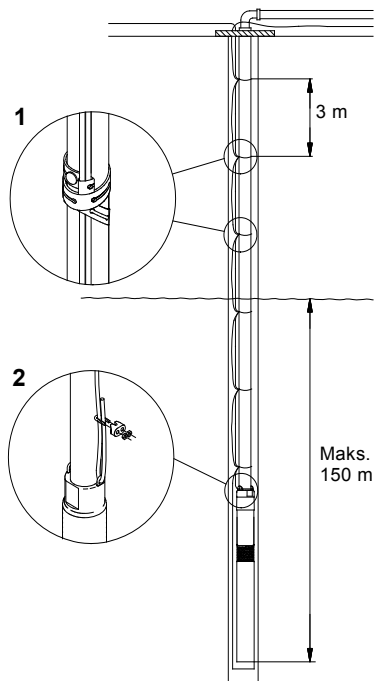


Plasttorudega ühendatud pumpade puhul tuleb pumba paigaldussügavuse kindlaksmääramisel võtta arvesse koormatud torude pikenemist.

Äärikutega torude kasutamisel peavad äärikud olema varustatud avadega sukekaabli läbijuhtimiseks.

Joonis 11 illustreerib pumba paigaldamist, näidates:

- kaabliklambrite asendit, pos. 1 ja kaugust nende vahel.
- turvatrossi paigaldamist, pos. 2.
- maksimaalset paigaldussügavust staatilisest veetasemest.



Joonis 11

6.8.1 Kaabliklambrid

Kaabliklambrid tuleb paigutada iga 3 meetri järel, vaata joonis 11.

Plasttorude kasutamisel tuleb kaabel klambrite vahele jätta lõdvalt, kuna plastmasstorud koormamisel pikenevad.

Äärikutega torude kasutamisel tuleb kaabliklambrid paigutada iga ühenduskoha ette ja taha.

TM01 0480-4397

6.8.2 Paigaldussügavused

Maksimaalne paigaldussügavus allapoole staatilist veetaset: 150 meetrit, vaata joonis 11.

Minimaalne paigaldussügavus allpool dünaamilist veetaset:

- **Vertikaalne paigaldamine:**
Käivitamise ja töötamise ajal peab pump olema alati täielikult vee all.
- **Horizontaalne paigaldamine:**
Pump tuleb paigaldada ja see peab töötama vähemalt 0,5 m allpool dünaamilist veetaset. Juhul kui eksisteerib pumba mudaga kattumise oht, tuleb see alati paigutada vooluhülssi.

6.8.3 Pumba puurkaevu laskmine

Soovitav on julgestada pump koormamata turvatrossiga, vaata joonis 11, pos. 2.

Lõdvestage turvatross nii, et see jääks vabaks ja kinnitage see klambrite abil puurkaevu pea külge.



Turvatrossi ei tohi kasutada pumba ja torustiku väljatõmbamiseks puurkaevust.



Ärge laske pumba kaevu ega tõstke seda üles mootori toitekaabli abil.

7. Käivitamine

Veenduge, et kaev on suuteline tagama pumba võimsusele vastava minimaalse veekoguse.

Ärge käivitage pumba enne kui see on täielikult veeall.

Käivitage pump ja ärge lülitage seda välja enne kui pumbatav vedelik muutub täiesti puhtaks, kuna vastasel juhul võivad pumbaosad ja tagasilöögiklapp ummistuda.

8. Kasutamine

8.1 Minimaalne vooluhulk

Mootori hädavajaliku jahutamise tagamiseks ei tohi pumba vooluhulka kunagi seada madalamaks kui 50 l/h.

Juhul kui vooluhulk ootamatult langeb, võib põhjuseks olla asjaolu, et pumbatakse välja rohkem vett kui puurkaev suudab anda. Sel juhul tuleb pump seisata ja puudus kõrvaldada.



Pumba kuivkäigukaitse toimib ainult pumba ettenähtud tööpiirkonnas.

8.2 Membraanhüdrofoor valimine ja eelrõhu ning rõhulülil seadistamine

HOIATUS

Survestatud süsteem

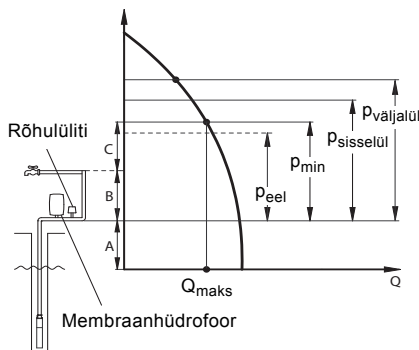
Surm või tõsised vigastused



- Installatsioon peab vastama pumba poolt arendatavale maksimaalsele rõhule.

Kuna pump on varustatud sisseehitatud sujuvkäivitiga, mille käivitusae on 2 sekundit, on rõhk rõhulülilil ja membraanpaagis käivitamise ajal madalam kui rõhulülilil seatud sisselülitamisrõhk ($p_{\text{sisselül}}$). Seda madalamat rõhku nimetatakse minimaalrõhku (p_{min}).

p_{min} on võrdne minimaalse rõhuga kõrgeima kraani juures + rõhk ja rõhukadu torus rõhulülilist ja membraanhüdrofoorist kõrgeima kraanini ($p_{\text{min}} = B + C$), vaata joonis 12.



Joonis 12

- A: Rõhk + rõhukadu dünaamilisest veetasemest membraanhüdrofoorini.
- B: Rõhk + rõhukadu membraanhüdrofoorist kõrgeima kraanini.
- C: Minimaalrõhk kõrgeimas kraanis.



Veenduge, et valitud pump suudab tagada kõrgema surve kui $p_{\text{väljalül}} + A$.

- p_{eeel} : Membraanhüdrofoori eelrõhk.
- p_{min} : Lubatav minimaalrõhk.
- $p_{\text{sisselül}}$: Rõhulülilil seatud sisselülitimisrõhk.
- $p_{\text{väljalül}}$: Rõhulülilil seatud sisselülitimisrõhk.
- Q_{maks} : Maksimaalne jõudlus p_{min} juures.

TM00 6445 3795

8.3 Kaevusüsteemi rõhu ülekoormus

Ülerõhu eest kaitsmiseks paigaldage kaevusuust allavoolu kaitseklaap. Kaitseklapi seadeväärtus peab olema rõhuseadest vähemalt 30 psi võrra suurem.

Kaitseklapi paigaldamisel on soovitatav see ühendada sobiva drenaažipunktiga.

Kasutades p_{\min} ja Q_{\max} on membraanhüdrofoori minimaalse suuruse ja rõhulüliti seaded võimalik leida alltoodud tabelist.

Näide:

$p_{\min} = 35$ m, $Q_{\max} = 2,5$ m³/h.

Selle informatsiooni põhjal on võimalik leida tabelist alljärgnevad väärtused:

Membraanhüdrofoori **minimaalne** suurus = 33 liitrit.

P_{eel} = 31,5 m.

$P_{\text{sisselül}}$ = 36 m.

$P_{\text{väljalül}}$ = 50 m.

P_{\min} [m]	Q_{\max} [m ³ /h]																	P_{eel} [m]	$P_{\text{sisselül}}$ [m]	$P_{\text{väljalül}}$ [m]	
	0,6	0,8	1	1,2	1,5	2	2,5	3	3,5	4	4,5	5	5,5	6	6,5	7	7,5				8
Membraanhüdrofoori maht [liitrit]																					
25	8	8	18	18	18	18	24	33	33	50	50	50	50	80	80	80	80	80	22,5	26	40
30	8	8	18	18	18	24	33	33	50	50	50	50	80	80	80	80	80		27	31	45
35	8	18	18	18	18	24	33	33	50	50	50	80	80	80	80	80			31,5	36	50
40	8	18	18	18	18	24	33	50	50	50	80	80	80	80	80				36	41	55
45	8	18	18	18	24	33	33	50	50	50	80	80	80	80					40,5	46	60
50	8	18	18	18	24	33	50	50	50	80	80	80	80						45	51	65
55	18	18	18	18	24	33	50	50	50	80	80	80							49,5	56	70
60	18	18	18	18	24	33	50	50	80	80	80	80							54	61	75
65	18	18	18	24	24	33	50	50	80	80	80	80							58,5	66	80

1 mvs = 0,098 baari.

8.4 Sisseehitatud kaitse

Mootor sisaldab elektroonikaplokki, mis kaitseb seda paljudel juhtudel.

Ülekoormuse puhul seiskab sisseehitatud ülekoormuskaitse pumba 5 minutiks. Seejärel üritab pump uuesti käivituda.

Kui pump seiskub kuivkäigu tõttu, käivitub ta uuesti 5 minuti pärast.

Kui pump taaskäivitub ja puurkaev on tühi, peatub pump 30 sekundi pärast.

Pumba elektroonika nullimiseks lülitage toitepinge välja 1 minutiks.

Mootor on kaitstud järgmiste olukordade eest:

- kuivkäik
- pinge kõikumised (kuni 6000 V)
Piirkondades kus sageli esineb äikest, on nõutav väline piksekaitse.
- ülepinge
- alapinge
- ülekoormus ja
- ülekuumenemine.

SQE pumbad/MSE 3 mootorid:



CU 300 või CU 301 abil on võimalik mootori MSE 3 kuivkäigu seadeid reguleerida vastavaks tegelikule rakendusele.

9. Hooldustööd

Pumbad on hooldusvabad.

Pumbad võivad kuluda ja kattuda setetega. Sel otstarbel pakub Grundfos hoolduskomplekte ja hooldusvahendeid. Soovi korral on saadaval ka Grundfos'i hooldusjuhend.

Pumpasid on võimalik hooldada Grundfos'i volitatud hoolduspartnerite juures.

9.1 Saastunud pumbad



Juhul kui pumba kasutatakse tervistkahjustava või toksilise vedeliku pumpamiseks, loetakse see saastunuks.

Juhul kui Grundfos'i palutakse pumba hooldada, nõuab Grundfos teavet pumbatava vedeliku jne kohta enne selle töösse võtmist. Vastasel juhul võib Grundfos keelduda pumba vastu võtmast.

Iga taotlus hooldustööde läbiviimiseks peab (sõltumatult selle esitajast) sisaldama üksikasju pumbatud vedeliku kohta, kui pumba kasutati tervistkahjustavate või toksiliste vedelike pumpamiseks.

SQE-NE: Hooldustööde läbiviimiseks tohib Grundfos'ile saata ainult niisuguseid pumpasid, mida võib lugeda mittesaastunuks, st ohtlikke või toksilisi materjale mittedisaldavaid pumpasid.

Hooldustöödega seotud isikute ja keskkonna kahjustamise vältimiseks on nõutav pumba puhtust tõendav dokument.

Grundfos peab saama selle tunnistuse kätte enne toodet. Vastasel juhul keeldub Grundfos pumba hooldustöödeks vastu võtmast.

Pumba võimaliku tagastamise kulud kannab klient.

10. Vead ja nende põhjused

ETTEVAATUST

Elektrilööök

Väikese või keskmise astme vigastus



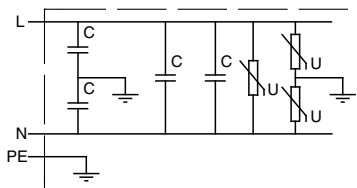
- Enne pumba juures mistahes tööde alustamist tuleb veenduda, et elektrivool on välja lülitatud ning et puudub võimalus selle juhuslikuks sisselülitamiseks.

Viga	Põhjus	Tegevus
1. Pump ei tööta.	a) Kaitse on läbipõlenud.	Asenda kaitse. Kui see uuesti läbi põleb, kontrolli elektriühendusi ja sukelkaablit.
	b) Lekkevoolukaitse on rakendunud.	Lülita kaitse sisse.
	c) Puudub toitepinge.	Kutsuge elektrik.
	d) Mootorikaitse lülitab pumba ülekoormuse tõttu välja.	Kontrolli kas pump ummistunud.
	e) Pump/kaabel defektne.	Remondi/asenda pump/kaabel.
	f) Ülepinge või alapinge.	Kontrolli toidet.
2. Pump töötab kuid ei anna vett.	a) Survetoru ventiil suletud.	Ava ventiil.
	b) Vesi otsas või veetase liialt madal.	Vaata 3 a).
	c) Tagasilöögiklapp suletud asendisse kinni jäänud.	Puhasta/asenda tagasilöögiklapp.
	d) Imisõel on ummistunud.	Puhasta imisõel.
	e) Pump on defektne.	Remondi/asenda pump.
3. Pump annab vähe vett.	a) Depressioonilehter on suurem kui eeldatud.	Paigaldage pump sügavamale, drosseldage pump või asendage väiksema jõudlusega pumbaga.
	b) Survepoole ventiilid on osaliselt suletud või blokeeritud.	Kontrolli ja puhasta/asenda ventiilid.
	c) Survetoru osaliselt ummistunud.	Puhasta / asenda toru.
	d) Pumba tagasilöögiklapp osaliselt ummistunud.	Kontrolli / asenda klapp.
	e) Pump ja survetoru osaliselt ummistunud.	Tõsta pump välja. Kontrolli ja puhasta pump, vajadusel puhasta torud.
	f) Pump on defektne.	Asenda / vaheta pump.
	g) Leke torustikus.	Kontrolli ja paranda torustik.
	h) Survetoru defektne.	Asenda survetoru.
	i) Alapinge.	Kontrolli toitepinget.

Viga	Põhjus	Tegevus
4. Sagedane start/stopp.	a) Rõhulüliti start/stopp nivoode vahe on liialt väike.	Suurenda rõhkude vahet. Stopprõhk ei tohi ületada hüdrofoori lubatavat rõhku ja startrõhk peab olema piisavalt kõrge tagamaks piisava veevarustuse.
	b) Veetaseme elektroodid või mahuti nivoolüliti pole korrektselt paigaldatud.	Seadke elektroode/nivoolüliti kindlustamiseks piisava käivituste vahelise aja. Vaata kasutatava auomaatikatoote juhendit. Kui automaatikaga ei ole võimalik asja parandada, drosseldage survetoru vähendamaks vooluhulka.
	c) Tagasilöögiklapp lekib või on poolavatud asendisse kinni jäänud.	Puhasta/asenda tagasilöögiklapp.
	d) Toitepinge on ebastabiilne.	Kontrolli toidet.
	e) Mootori temperatuur tõuseb liialt kõrgele.	Kontrolli vee temperatuuri.

10.1 Mõõtmise megeriga

SQ/SQE pumpasid sisaldava seadmestiku mõõtmine megeriga pole lubatud, kuna see võib kahjustada sisseehitatud elektroonikat, vaata joonis 13.



TM02 0689 5000

Joonis 13

11. Elektrisüsteemi kontrollimine

HOIATUS

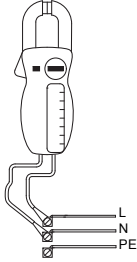
Elektrilööök



Surm või tõsised vigastused

- Enne mistahes töö alustamist pumba/mootori juures veenduge, et toitepinge on lülitatud välja ja seda ei saa juhuslikult sisse lülitada.

1. Toitepinge



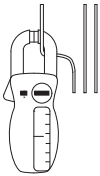
TM00 1371 4904

Mõõtke pinge faasi ja nulljuhtme vahel.

Kui mootor on koormatud, peab pinge olema osas 5. *Elektriühendused* toodud vahemikus.

Toitepinge suur kõikumine viitab mittekvaliteetsele toitepingele ja pump tuleb seisata, kuni puudused on kõrvaldatud.

2. Voolutarve



TM00 1372 5082

Mõõtke voolutugevus pumba töötamisel konstantse survega (võimaluse korral jõudlusega, mille puhul mootor on maksimaalselt koormatud).

Maksimaalne voolutugevus on toodud andmesildil.

Juhul kui voolutugevus ületab täiskoormuse voolu, võivad esineda alltoodud puudused:

- ühendusjuhtmete halb kontakt.
- liiga madal toitepinge, vt. p.1.

12. Keskkond

Käsitsemise, kasutamise, ladustamise ja transportimise ajal tuleb järgida kõiki ohtlike materjalide käsitsemist puudutavaid eeskirju.

HOIATUS

Sööbiv aine

Surm või tõsised vigastused



- Juhul kui pump kõrvaldatakse kasutusest tuleb kindlustada, et pumba/mootorisse ja survetorusse ei jää ohtlikke aineid, mis võiksid kahjustada inimesi või keskkonda.

Kahtluse puhul pöörduge Grundfos'i või kohalike võimude poole.

13. Utiliseerimine

Käesolev toode või selle osad tuleb utiliseerida keskkonnasõbralikul viisil:

1. Kasutage kohaliku avaliku või erasektori jäätmekogumisteenust.
2. Kui see pole võimalik, võtke ühendust lähima Grundfosi esinduse või hooldusfirmaga.

Andmed võivad muutuda.

Traducción de la versión original en inglés

CONTENIDO

	Página
1. Símbolos utilizados en este documento	95
2. General	96
2.1 Aplicaciones	96
3. Datos técnicos	97
3.1 Almacenamiento	97
3.2 Nivel de ruido	97
4. Preparación	97
4.1 Rellenado de líquido de motor	97
4.2 Posicionamiento	98
4.3 Temperatura del líquido/refrigeración	98
5. Conexión eléctrica	99
5.1 General	99
5.2 Protección del motor	99
5.3 Conexión del motor	99
6. Instalación	100
6.1 General	100
6.2 Montaje de bomba y motor	100
6.3 Desmontaje de la válvula de retención	100
6.4 Montaje de la clavija de cable en el motor	101
6.5 Montaje del protector de cable	101
6.6 Dimensionamiento del cable	102
6.7 Montaje del cable sumergible	103
6.8 Conexión de la tubería	103
7. Puesta en marcha	104
8. Funcionamiento	104
8.1 Caudal mínimo	104
8.2 Selección del depósito y ajuste de la presión de precarga y del presostato	104
8.3 Sobrecarga de presión en la instalación del pozo	105
8.4 Protección incorporada	106
9. Mantenimiento y reparación	106
9.1 Bombas contaminadas	106
10. Localización de fallos	107
10.1 Megado	108
11. Comprobación del suministro eléctrico	109
12. Medio ambiente	109
13. Eliminación	109



Lea este documento antes de llevar a cabo la instalación. La instalación y el funcionamiento deben tener lugar de acuerdo con los reglamentos locales en vigor y los códigos aceptados de prácticas recomendadas.



Este equipo es apto para el uso por niños a partir de 8 años y personas parcialmente incapacitadas física, sensorial o mentalmente, o bien carentes de experiencia y conocimientos, siempre que permanezcan bajo vigilancia o hayan recibido instrucciones acerca del uso seguro del equipo y comprendan los riesgos asociados.

Los niños no deben jugar con el equipo. La limpieza y el mantenimiento del equipo no deben ser llevados a cabo por niños sin vigilancia.

1. Símbolos utilizados en este documento

PELIGRO



Indica una situación peligrosa que, de no remediarse, dará lugar a un riesgo de muerte o lesión personal grave.

ADVERTENCIA



Indica una situación peligrosa que, de no remediarse, podría dar lugar a un riesgo de muerte o lesión personal grave.

PRECAUCIÓN



Indica una situación peligrosa que, de no remediarse, podría dar lugar a un riesgo de lesión personal leve o moderada.

El texto que acompaña a los tipos de riesgo anteriores (PELIGRO, ADVERTENCIA Y PRECAUCIÓN) está estructurado del siguiente modo:

PALABRA DE SEÑALIZACIÓN

Descripción del riesgo



Consecuencias de ignorar la advertencia.
- Acciones que deben ponerse en práctica para evitar el riesgo.



Un círculo de color azul o gris con un signo de admiración en su interior indica que es preciso poner en práctica una acción.



Un círculo de color rojo o gris con una barra diagonal y puede que con un símbolo gráfico de color negro indica que debe evitarse o interrumpirse una determinada acción.



No respetar estas instrucciones puede dar lugar a un mal funcionamiento del equipo o daños en el mismo.



Sugerencias y consejos que facilitan el trabajo.

2. General

ADVERTENCIA



Descarga eléctrica

Muerte o lesión personal grave
- La bomba no debe utilizarse cuando la gente esté en el agua.

En la página 412 de estas instrucciones encontrará copias de las placas de características de la bomba y motor.

Antes de introducir la bomba SQ/SQE en la perforación debe cumplimentar esta página con los datos relevantes de la placa de características.

Estas instrucciones de instalación y funcionamiento deben guardarse para consultas en un sitio seco, cerca de la instalación.

2.1 Aplicaciones

Las bombas **SQ** y **SQE** están diseñadas para el bombeo de líquidos no densos, limpios, no agresivos, no explosivos y que no contengan partículas sólidas, ni fibras.

Aplicaciones típicas:

- Suministro de agua subterránea para
 - viviendas particulares
 - pequeñas instalaciones de suministro de agua
 - sistemas de riego, por ejemplo en invernaderos.
- Trasiego de líquidos en depósitos.
- Aumento de presión.

Las bombas **SQE-NE** están diseñadas para el bombeo de líquidos no densos, limpios, no explosivos y que no contengan partículas sólidas, ni fibras.

Estas bombas son aptas para el bombeo de aguas subterráneas contaminadas o aguas que contengan carbonato de hidrógeno, por ejemplo desde:

- vertederos
- depósitos de productos químicos
- zonas industriales
- gasolineras
- aplicaciones medioambientales.

Las bombas **SQE-NE** pueden también utilizarse para toma de muestras y control y en menor grado en sistemas de tratamiento de agua.

Información que se refiere a todos los tipos de bomba:

El máximo contenido de arena en el agua no debe exceder los 50 g/m³. Un mayor contenido de arena reducirá la vida de la bomba e incrementará el riesgo de bloqueo.



Si se van a bombear líquidos con una viscosidad superior a la del agua, contactar con Grundfos.

Valores pH:

SQ y SQE: 5 a 9.

SQE-NE: Contactar con Grundfos.

Temperatura del líquido:

La temperatura del líquido bombeado no debe ser superior a 35 °C.

3. Datos técnicos

Tensión de alimentación:

1 x 200-240 V - 10 %/+6 %, 50/60 Hz, PE.

Funcionamiento con generador: La potencia del generador debe ser como mínimo igual al P_1 del motor [kW] + 10 %.

Intensidad de arranque:

La intensidad de arranque del motor es igual al valor más alto indicado en la placa de características del motor.

Factor de potencia:

PF = 1.

Líquido de motor:

Tipo SML 2.

Cable del motor:

1,5 m, 3 x 1,5 mm², PE.

Temperatura del líquido:

Máx. 35 °C.

Descarga de la bomba:

SQ 1, SQ 2, SQ 3: Rp 1 1/4.

SQ 5, SQ 7: Rp 1 1/2.

Diámetro de la bomba:

74 mm.

Diámetro de la perforación:

Mín. 76 mm.

Profundidad de instalación:

Máximo 150 metros por debajo del nivel estático del agua.

Ver también sección [6.8.2 Profundidades de instalación](#).

Peso neto:

Máx. 6,5 kg.

3.1 Almacenamiento

Temperatura de almacenamiento: -20 °C a +60 °C.

3.1.1 Protección contra heladas

Si la bomba tiene que estar almacenada después de su utilización, debe hacerse en un sitio protegido contra heladas, o debe comprobarse que el líquido del motor es anticongelante.

No se debe almacenar el motor sin antes haberlo llenado de líquido.

3.2 Nivel de ruido

El nivel de ruido de la bomba es inferior al valor límite establecido en la Directiva del Consejo de la CE 2006/42/CE sobre maquinaria.

4. Preparación

Los motores sumergibles Grundfos MS 3 y MSE 3 tienen cojinetes deslizantes lubricados por agua. No se necesita lubricación adicional.

Los motores sumergibles se suministran de fábrica con un líquido de motor especial Grundfos (tipo SML 2), que es anticongelante hasta -20 °C y que está tratado para evitar el crecimiento de bacterias. El nivel del líquido de motor es decisivo para la duración de los cojinetes y, por tanto, la vida del motor.

4.1 Rellenado de líquido de motor

Si el líquido del motor por algún motivo se ha vaciado o perdido, el motor debe volver a llenarse de líquido de motor SML 2 de Grundfos.

Proceder como sigue:

1. Quitar el protector de cable y separar la bomba del motor.

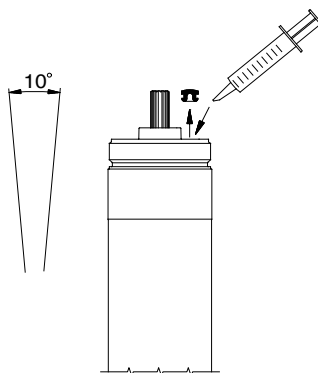


Fig. 1

2. Colocar el motor en posición vertical con una inclinación de aprox. 10 °.
 3. Quitar el tapón de llenado, utilizando un destornillador o similar.
 4. Inyectar líquido en el motor, utilizando una jeringuilla o similar.
 5. Mover el motor de un lado al otro para que salga el posible aire.
 6. Volver a colocar el tapón de llenado y apretarlo bien.
 7. Montar la bomba y el motor.
 8. Volver a colocar el protector de cable.
- La bomba está ahora lista para ser instalada.

TM02 9606 3504

4.2 Posicionamiento

La bomba se puede utilizar para instalación tanto vertical como horizontal, no obstante, el eje de la bomba **nunca debe** estar por debajo del plano horizontal, ver fig. 2.

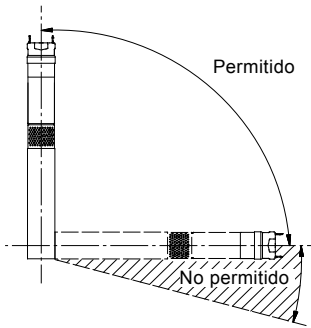


Fig. 2

Si se va a instalar la bomba en posición horizontal, p.ej. en un depósito, siempre hay que encamisarla si hay riesgo de que se cubra de lodo.

Respecto a profundidades de instalación, ver sección [6.8.2 Profundidades de instalación](#).

4.3 Temperatura del líquido/refrigeración

La figura 3 muestra una bomba SQ/SQE instalada en una perforación. La bomba está funcionando.

La figura 3 indica lo siguiente:

- diámetro de la perforación
- diámetro de la bomba
- temperatura del líquido bombeado
- fluido a lo largo del motor hasta el filtro de aspiración de la bomba.

TM01 1375 4397

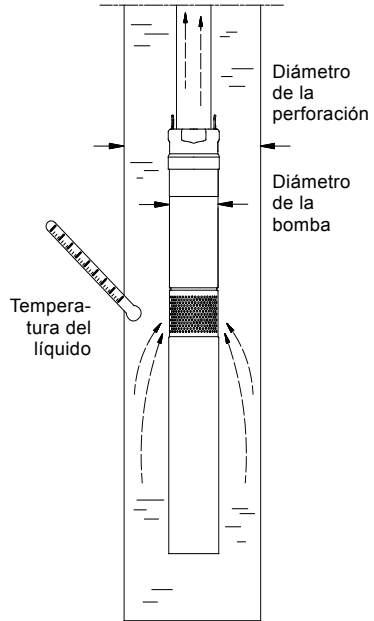


Fig. 3

Para garantizar una refrigeración suficiente del motor es importante comprobar que la temperatura del líquido nunca supere los 35 °C.



El diámetro de la perforación debe ser al menos 76 mm (aprox. 3").

El motor siempre debe instalarse por encima del filtro del pozo. Si se utiliza una camisa, la bomba puede instalarse libremente en la perforación.



No dejar que la bomba funcione contra válvula de descarga cerrada durante más de 5 minutos. Cuando la tubería de descarga está cerrada, no hay flujo de refrigeración y, por consiguiente, riesgo de sobretemperatura del motor y bomba.

La bomba puede pararse si la temperatura real del líquido bombeado supera el valor especificado o si las condiciones de funcionamiento no cumplen con las condiciones especificadas. Contactar con Grundfos.

TM01 0518 1297

5. Conexión eléctrica

5.1 General

La conexión eléctrica debe realizarla un electricista autorizado de acuerdo con las normativas locales

ADVERTENCIA

Descarga eléctrica

Muerte o lesión personal grave

- Antes de empezar a trabajar en la bomba, comprobar que el suministro eléctrico está desconectado y que no puede conectarse accidentalmente.
- La bomba tiene que estar conectada a tierra.
- La bomba debe conectarse a un interruptor externo con una separación mínima de contacto de 3 mm en todos los polos.
- Si el cable del motor está dañado, debe ser cambiado por Grundfos, un servicio oficial autorizado Grundfos o personas de cualificación similar para evitar peligros.



La tensión de alimentación, intensidad nominal máxima y el factor de potencia (PF) están indicadas en la placa de características del motor.

La tensión admitida para los motores sumergibles Grundfos, medida en los terminales del motor, es - 10 %/+ 6 % de la tensión nominal durante un funcionamiento continuo (incluyendo variación en la tensión de alimentación y pérdidas en los cables).

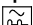
ADVERTENCIA

Descarga eléctrica

Muerte o lesión personal grave

- Si la bomba está conectada a una instalación eléctrica donde se utiliza un diferencial a tierra (ELCB) como protección adicional, **tiene que** ser del tipo que se dispara cuando se producen derivaciones a tierra de corriente continua (pulsante).



El diferencial **tiene que** estar marcado con el siguiente símbolo: .

Tensión de alimentación:

1 x 200-240 V - 10 %/+ 6 %, 50/60 Hz, PE.

El consumo de corriente sólo puede medirse utilizando un instrumento RMS capaz de leer el valor eficaz. Si se utilizan otros instrumentos, el valor medido será distinto del valor real.

En las bombas SQ/SQE se puede típicamente medir una corriente de fuga de 2,5 mA a 230 V, 50 Hz.

La corriente de fuga es proporcional a la tensión de alimentación.

Las bombas SQE y SQE-NE pueden conectarse a un cuadro de control, tipo CU 300 o CU 301.



La bomba nunca debe conectarse a un condensador o cualquier otro tipo de cuadro de control que CU 300 o CU 301.
La bomba nunca debe conectarse a un convertidor de frecuencia externo.

5.2 Protección del motor

El motor incorpora una protección contra sobrecarga térmica y no necesita una protección adicional.

5.3 Conexión del motor

El motor incorpora un arrancador, por lo que puede conectarse directamente a la red.

El arranque/parada de la bomba generalmente se realiza por medio de un presostato, ver fig. 4.



El presostato debe estar dimensionado para el máximo amperaje de la bomba específica.

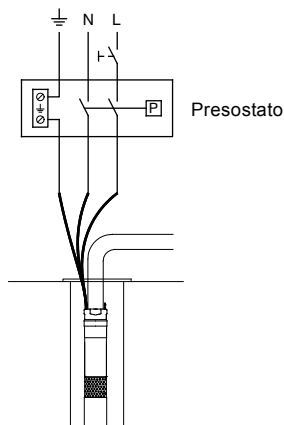


Fig. 4

6. Instalación

6.1 General

ADVERTENCIA

Descarga eléctrica

Muerte o lesión personal grave



- Antes de empezar cualquier trabajo en la bomba/motor, comprobar que el suministro eléctrico está desconectado y que no puede conectarse accidentalmente.



No bajar o subir la bomba utilizando el cable del motor.

La placa de características suelta, que se suministra con la bomba, debe colocarse cerca del lugar de instalación.

6.2 Montaje de bomba y motor

Para montar la bomba y motor, proceder como sigue:

1. Colocar el motor horizontalmente en un tornillo de banco y sujetarlo, ver fig. 6.
2. Extraer el eje de la bomba hasta la posición indicada en la fig. 5.

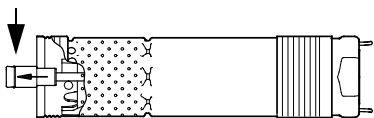


Fig. 5

3. Engrasar el extremo del eje del motor con la grasa suministrada.
4. Atornillar la bomba al motor (55 Nm).

Precaución: El eje de la bomba debe encajar con el eje del motor.

Se puede utilizar una llave inglesa en los puntos de sujeción de la bomba, ver fig. 6.

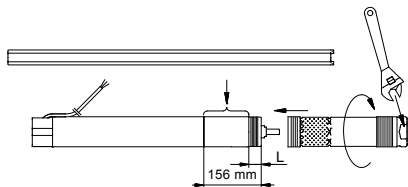


Fig. 6

Motor (P2) [kW]	L [mm]
0,70	120
1,15	102
1,68	66
1,85	66

Cuando la bomba y motor están montados correctamente, no debe haber holgura entre ellos.

6.3 Desmontaje de la válvula de retención

Si se requiere una bomba sin válvula de retención, ésta puede desmontarse de la siguiente forma:

1. Cortar los soportes de la guía de la válvula, utilizando alicates de corte lateral u otra herramienta similar, ver fig. 7.
2. Colocar la bomba boca abajo.
3. Comprobar que todas las piezas sueltas salen de la bomba.

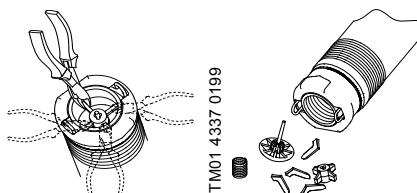


Fig. 7



SQE-NE se suministra sin válvula de retención.

Un servicio técnico Grundfos puede montar la válvula de retención.

6.4 Montaje de la clavija de cable en el motor

ADVERTENCIA

Descarga eléctrica

Muerte o lesión personal grave



- La clavija del motor no debe bajo ninguna circunstancia sacarse por el usuario.
- El cable con clavija debe montar o desmontarlo un servicio técnico oficial Grundfos o una persona igualmente cualificada.

La descripción siguiente está dirigida exclusivamente al personal de servicios. Si el cable de motor debe cambiarse, ver sección **5.1 General**.

La clavija suministrada con el motor viene engrasada de fábrica. Comprobar que la clavija está engrasada correctamente.

Para montar la clavija, proceder como sigue:

1. Comprobar que el cable es del tipo correcto, sección y longitud.
2. Comprobar que la conexión a tierra de la red es correcta.
3. Comprobar que el enchufe del motor está limpio y seco.
Comprobar que la junta suelta está montada.
4. Introducir la clavija del cable en el enchufe del motor. Debe encajar correctamente, ver fig. 8.

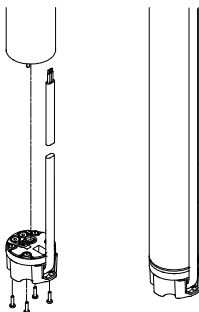


Fig. 8

5. Colocar y apretar los cuatro tornillos (1 - 1,5 Nm), ver fig. 8.

Cuando la clavija está montada, no debe haber holgura entre el motor y la clavija.

TM02 9605 3504

6.5 Montaje del protector de cable

Para montar el protector de cable, proceder como sigue:

1. Comprobar que el cable sumergible está extendido en el protector.
2. Colocar el protector de cable en la ranura de la clavija del cable. Las dos lengüetas del protector de cable deben encajar con la esquina superior de la camisa de la bomba, ver fig. 9.

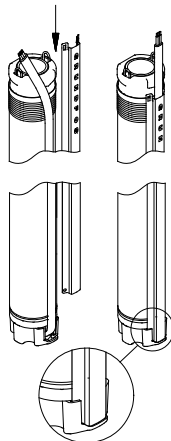


Fig. 9

3. Sujetar el protector del cable al filtro de aspiración de la bomba con los dos tornillos autorroscantes suministrados, ver fig. 10.

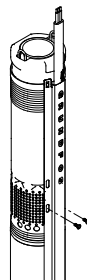


Fig. 10

TM02 9613 3504

TM01 4427 0299

6.6 Dimensionamiento del cable

Grundfos puede suministrar cables sumergibles para cualquier tipo de instalación.



La sección del cable sumergible debe ser de un tamaño suficiente para que cumpla con los requisitos de tensión indicados en sección [5.1 General](#).

Se ha utilizado la siguiente fórmula para calcular los valores de la tabla de más abajo:

$$q = \frac{I \times 2 \times 100 \times PF \times L \times \rho}{U \times \Delta U}$$

q = Sección del cable sumergible [mm²].

I = Intensidad nominal máxima del motor [A].

PF = 1,0.

L = Longitud del cable sumergible [m].

ρ = Resistencia específica: 0,02 [Ωmm²/m].

U = Tensión nominal [V].

ΔU = Caída de tensión [%] = 4 %.

La caída de tensión del 4 % es según IEC 3-64, Serie HD-384.

El cálculo da las siguientes longitudes máximas del cable con una tensión de alimentación de 240 V:

		Longitud máxima del cable [m]					
Motor (P2) [kW]	I _N [A]	Tamaño del cable					
		1,5 mm ²	2,1 mm ² / 14 AWG	2,5 mm ²	3,3 mm ² / 12 AWG	4 mm ²	6 mm ²
0,7	5,2	80	112	133	176	213	320
1,15	8,4	50	69	83	109	132	198
1,68	11,2	37	52	62	82	99	149
1,85	12	35	49	58	76	92	139

6.7 Montaje del cable sumergible

Se recomienda empalmar el cable sumergible al cable del motor utilizando un kit de conexión de cable Grundfos, tipo KM.

Kit de conexión de cable, tipo KM	
Sección del cable	Código
1,5 a 6,0 mm ²	96021473

Para secciones mayores, contactar con Grundfos.

6.8 Conexión de la tubería

Si se utiliza una herramienta, p.ej. una llave de cadena, para montar la tubería de elevación de la bomba, ésta sólo debe sujetarse por la cámara de descarga.

Cuando se conectan tuberías de plástico, debe utilizarse un acoplamiento de compresión entre la bomba y la primera sección de tubería.



Para bombas con tuberías de plástico, hay que tener en cuenta la expansión de las tuberías al estar cargadas a la hora de decidir la profundidad de instalación de la bomba.

Cuando se utilizan tuberías con bridas, las bridas deben tener muescas para el cable sumergible.

La figura 11 muestra una instalación de bomba, indicando:

- la posición de los sujetacables, pos. 1, y la distancia entre ellos.
- montaje del cable de sujeción, pos. 2.
- profundidad máxima de la instalación por debajo del nivel estático del agua.

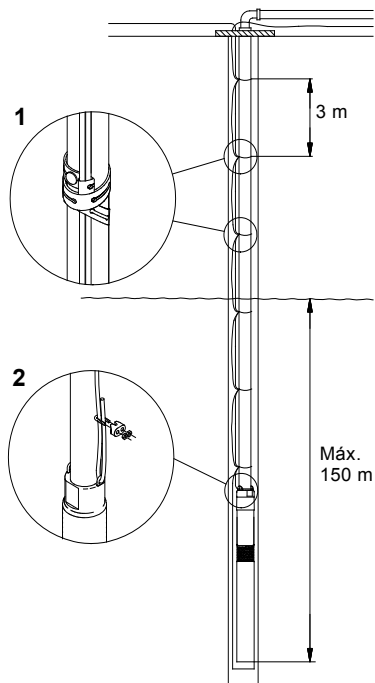


Fig. 11

6.8.1 Sujetacables

Deben instalarse sujetacables cada 3 metros, ver fig. 11.

Al conectar tuberías de plástico, debe dejarse cierta holgura entre cada sujetacable, ya que dichas tuberías se ensanchan al estar cargadas.

Al utilizar tuberías con bridas, los sujetacables deben montarse por encima y por debajo de cada unión.

TM01 0480-4397

6.8.2 Profundidades de instalación

Profundidad **máxima** de instalación por debajo del nivel estático del agua: 150 metros, ver fig. 11.

Profundidades **mínimas** de instalación por debajo del nivel dinámico del agua:

- **Instalación vertical:**
La bomba debe estar siempre completamente sumergida en el agua durante el arranque y funcionamiento.
- **Instalación horizontal:**
La bomba debe instalarse y funcionar por lo menos 0,5 m por debajo del nivel dinámico del agua.
Siempre hay que encamisar la bomba si hay riesgo de que se cubra de lodo.

6.8.3 Introducción de la bomba en la perforación

Se recomienda sujetar la bomba mediante un cable de sujeción para este fin, ver fig. 11, pos. 2.

Aflojar el cable de sujeción de forma que quede sin peso y unirlo a la tapa de la perforación.



El cable de sujeción no debe utilizarse para sacar la bomba con la tubería de elevación fuera de la perforación.



No bajar o subir la bomba utilizando el cable del motor.

7. Puesta en marcha

Comprobar que el pozo pueda dar una cantidad mínima de agua que corresponda a la capacidad de la bomba.

No arrancar la bomba hasta que esté completamente sumergida en el líquido.

Arrancar la bomba y no pararla hasta que el líquido bombeado esté completamente limpio, ya que de otra forma los componentes de la bomba y la válvula de retención pueden obstruirse.

8. Funcionamiento

8.1 Caudal mínimo

Para asegurar la refrigeración necesaria del motor, el caudal de la bomba nunca debe ajustarse a un valor inferior a 50 l/h.

Si el caudal desciende repentinamente, la causa puede ser que la bomba esté bombeando más agua de la que la perforación puede dar. Hay que parar la bomba y corregir el fallo.



La protección contra marcha en seco de la bomba es efectiva sólo dentro de la gama de trabajo recomendada de la bomba.

8.2 Selección del depósito y ajuste de la presión de precarga y del presostato

ADVERTENCIA



Sistema presurizado

Muerte o lesión personal grave

- La instalación debe estar dimensionada para la presión máx. de la bomba.

Debido a que la bomba incorpora un arrancador suave que da un tiempo de puesta en marcha de 2 segundos, la presión del presostato y del depósito durante la puesta en marcha es inferior a la presión de arranque de la bomba en el presostato (P_{arranque}). Esta presión inferior se denomina presión mínima ($P_{\text{mín}}$).

$P_{\text{mín}}$ es igual a la presión mínima deseada en el grifo más alto + altura y pérdida de carga en la tubería desde el presostato y el depósito hasta el grifo más alto ($P_{\text{mín}} = B + C$), ver fig. 12.

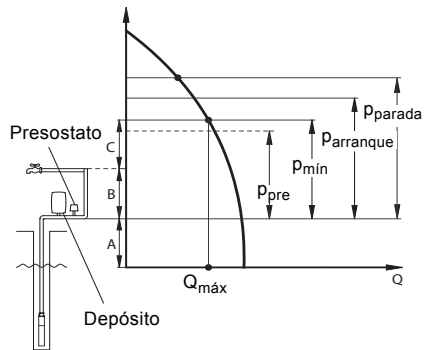


Fig. 12

- A: Altura + pérdida de carga desde el nivel dinámico del agua al depósito.
 B: Altura + pérdida de carga desde el depósito hasta el grifo más alto.
 C: Presión mínima del grifo más alto.



Comprobar que la bomba seleccionada puede dar una presión superior a $P_{\text{parada}} + A$.

- P_{pre} : Presión de precarga del depósito.
 $P_{\text{mín}}$: Presión mínima deseada.
 P_{arranque} : Ajuste de la presión de arranque en el presostato.
 P_{parada} : Ajuste de la presión de parada en el presostato.
 $Q_{\text{máx}}$: Caudal máximo en $P_{\text{mín}}$.

8.3 Sobrecarga de presión en la instalación del pozo

Para proteger la instalación contra sobrecargas de presión, instale una válvula de alivio de presión aguas abajo de la cabecera del pozo. El punto de ajuste de la válvula de alivio de presión debe ser, al menos, 30 psi superior a la presión ajustada.

De instalarse una válvula de alivio, se recomienda conectarla a un punto de drenaje apropiado.

Utilizando p_{\min} y Q_{\max} , la capacidad **mínima** del depósito y los ajustes de la presión de precarga y del presostato pueden encontrarse en la tabla de abajo:

Ejemplo:

$p_{\min} = 35$ m.c.a., $Q_{\max} = 2,5$ m³/h.

En base a esta información, en la tabla, se pueden encontrar los siguientes valores:

Capacidad **mínima** del depósito = 33 litros.

$p_{\text{pre}} = 31,5$ m.c.a.

$p_{\text{arranque}} = 36$ m.c.a.

$p_{\text{parada}} = 50$ m.c.a.

p_{\min} [m]	Q_{\max} [m ³ /h]																p_{pre} [m]	$p_{\text{arr.}}$ [m]	p_{parada} [m]		
	0,6	0,8	1	1,2	1,5	2	2,5	3	3,5	4	4,5	5	5,5	6	6,5	7				7,5	8
Capacidad del depósito [litros]																					
25	8	8	18	18	18	18	24	33	33	50	50	50	50	80	80	80	80	80	22,5	26	40
30	8	8	18	18	18	24	33	33	50	50	50	50	80	80	80	80	80		27	31	45
35	8	18	18	18	18	24	33	33	50	50	50	80	80	80	80	80			31,5	36	50
40	8	18	18	18	18	24	33	50	50	50	80	80	80	80	80				36	41	55
45	8	18	18	18	24	33	33	50	50	50	80	80	80	80					40,5	46	60
50	8	18	18	18	24	33	50	50	50	80	80	80	80						45	51	65
55	18	18	18	18	24	33	50	50	50	80	80	80							49,5	56	70
60	18	18	18	18	24	33	50	50	80	80	80	80							54	61	75
65	18	18	18	24	24	33	50	50	80	80	80	80							58,5	66	80

1 m de altura = 0,098 bar.

8.4 Protección incorporada

El motor incorpora una unidad electrónica que protege al motor en varias situaciones.

En caso de sobrecarga, la protección de sobrecarga incorporada parará la bomba durante 5 minutos.

Pasado este tiempo, la bomba intentará ponerse en marcha de nuevo.

Si la bomba ha parado debido a marcha en seco, arrancará automáticamente transcurridos 5 minutos.

Si se vuelve a arrancar la bomba y la perforación está vacía, la bomba parará transcurridos 30 segundos.

Rearme de la bomba: Desconectar el suministro eléctrico durante 1 minuto.

El motor está protegido en caso de:

- marcha en seco
- picos de tensión (hasta 6000 V)
En zonas con alta intensidad de rayos, se necesita protección externa contra rayos.
- sobrevoltaje
- bajo voltaje
- sobrecarga y
- sobretemperatura.

Bombas SQE/motores MSE 3:



Mediante el CU 300 o CU 301 se puede ajustar el límite de parada de marcha en seco para adaptarse a la aplicación real.

9. Mantenimiento y reparación

Las bombas normalmente no necesitan mantenimiento.

Pueden aparecer sedimentos y desgaste. Para esto, Grundfos dispone de kits y herramientas de reparación. El Manual de Servicio Grundfos está disponible bajo pedido.

Las bombas pueden ser reparadas en un servicio técnico Grundfos.

9.1 Bombas contaminadas



Si una bomba ha sido utilizada para un líquido que es perjudicial para la salud o tóxico, la bomba será clasificada como contaminada.

Al pedirle a Grundfos la reparación de una bomba, Grundfos debe ser informado de los detalles del líquido bombeado, etc., *antes* del envío de la bomba. De lo contrario, Grundfos puede negarse a repararla.

No obstante, cualquier solicitud de reparación (no importa a quién va dirigida) debe incluir detalles del líquido bombeado, si la bomba ha sido utilizada para líquidos perjudiciales para la salud o tóxicos.

SQE-NE: Sólo bombas que pueden clasificarse como no contaminadas, es decir bombas que contengan material no perjudicial para la salud y/o tóxico, pueden ser devueltas a Grundfos para su reparación.

Para evitar que se dañe la salud de las personas involucradas y el medioambiente, se requiere un documento certificando que la bomba está limpia.

Grundfos debe recibir este certificado antes del producto. De lo contrario, Grundfos se negará a aceptar el producto para su reparación.

Los posibles gastos de devolución de la bomba serán a cargo del cliente.

10. Localización de fallos

PRECAUCIÓN

Descarga eléctrica

Lesión personal leve o moderada



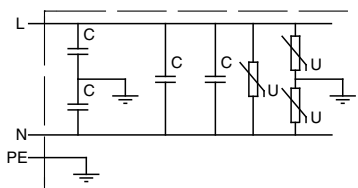
- Antes de empezar cualquier trabajo en la bomba/motor, comprobar que el suministro eléctrico está desconectado y que no puede conectarse accidentalmente.

Fallo	Causa	Solución
1. La bomba no funciona.	a) Los fusibles de la instalación eléctrica están fundidos.	Sustituir los fusibles fundidos. Si los nuevos también se funden, deben comprobarse la instalación eléctrica y el cable sumergible.
	b) El ELCB o el ELCB accionado por voltaje se ha disparado.	Conectar el diferencial.
	c) No hay suministro eléctrico.	Contactar con la compañía eléctrica.
	d) La protección del motor ha desconectado el suministro eléctrico debido a sobrecarga.	Comprobar si el motor/bomba está bloqueado.
	e) La bomba/cable sumergible está defectuoso.	Reparar/sustituir la bomba/cable.
	f) Ha habido sobretensión o bajo voltaje.	Comprobar el suministro eléctrico.
2. La bomba funciona pero no da agua.	a) La válvula de descarga está cerrada.	Abrir la válvula.
	b) No hay agua o el nivel de agua es demasiado bajo en la perforación.	Ver punto 3 a).
	c) La válvula de retención está bloqueada en posición cerrada.	Sacar la bomba y limpiar o sustituir la válvula.
	d) El filtro de aspiración está obstruido.	Sacar la bomba y limpiar el filtro.
	e) La bomba está defectuosa.	Reparar/sustituir la bomba.
3. La bomba funciona a capacidad reducida.	a) El descenso dinámico del agua es mayor de lo previsto.	Aumentar la profundidad de instalación de la bomba, estrangular la bomba o sustituirla por un modelo más pequeño para conseguir una menor capacidad.
	b) Las válvulas en la tubería de descarga están parcialmente cerradas/bloqueadas.	Comprobar y limpiar/sustituir las válvulas si es necesario.
	c) La tubería de descarga está parcialmente obstruida por impurezas (ocre).	Limpiar/sustituir la tubería de descarga.
	d) La válvula de retención de la bomba está parcialmente bloqueada.	Sacar la bomba y comprobar/sustituir la válvula.
	e) La bomba y la tubería de elevación están parcialmente obstruidas por impurezas (ocre).	Sacar la bomba. Comprobar y limpiar/sustituir la bomba si es necesario. Limpiar las tuberías.
	f) La bomba está defectuosa.	Reparar/sustituir la bomba.
	g) Fugas en las tuberías.	Comprobar y reparar las tuberías.
	h) La tubería de elevación está defectuosa.	Sustituir la tubería de elevación.
	i) Ha habido bajo voltaje.	Comprobar el suministro eléctrico.

Fallo	Causa	Solución
4. Frecuentes arranques y paradas	a) El diferencial del presostato entre presiones de arranque y parada es demasiado pequeño.	Aumentar el diferencial. Sin embargo, la presión de parada no debe superar la presión de funcionamiento del depósito de presión, y la presión de arranque ser lo bastante alta como para asegurar un suministro de agua suficiente.
	b) Los electrodos de nivel de agua o interruptores de nivel del depósito no están instalados correctamente.	Ajustar los intervalos de los electrodos/ interruptores de nivel para asegurar un tiempo adecuado entre la conexión y desconexión de la bomba. Ver instrucciones de instalación y funcionamiento de los dispositivos automáticos utilizados. Si los intervalos entre parada/arranque no pueden cambiarse automáticamente, la capacidad de la bomba puede ser reducida estrangulando la válvula de descarga.
	c) La válvula de retención tiene fugas o está semiabierta.	Sacar la bomba y limpiar/sustituir la válvula de retención.
	d) La tensión de alimentación es inestable.	Comprobar el suministro eléctrico.
	e) La temperatura del motor sube demasiado.	Comprobar la temperatura del agua.

10.1 Megado

No está permitido hacer megado en una instalación con bombas SQ/SQE, ya que los componentes electrónicos incorporados pueden resultar dañados, ver fig. 13.



TM02 0689 5000

Fig. 13

11. Comprobación del suministro eléctrico

ADVERTENCIA

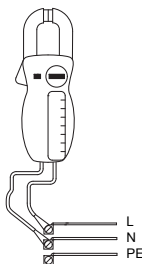
Descarga eléctrica

Muerte o lesión personal grave



- Antes de empezar cualquier trabajo en la bomba/motor, comprobar que el suministro eléctrico está desconectado y que no puede conectarse accidentalmente.

1. Tensión de alimentación

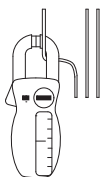


TM00 1371 4904

Medir la tensión (RMS) entre la fase y el neutro. Conectar el voltímetro a los terminales de la conexión.

Cuando el motor está cargado, la tensión debe estar dentro de la gama especificada en sección 5. *Conexión eléctrica*. Variaciones grandes de la tensión de alimentación indican un suministro eléctrico deficiente, y hay que parar la bomba hasta que el defecto esté corregido.

2. Consumo de intensidad



TM00 1372 5082

Medir la intensidad (RMS) con la bomba funcionando a una presión de descarga constante (a ser posible a la capacidad donde el motor esté más cargado). Para intensidad máxima, ver placa de características.

Si la intensidad supera la intensidad a plena carga, pueden haber los siguientes fallos:

- Conexión deficiente de los cables, posiblemente en el empalme.
- Tensión de alimentación demasiado baja, ver punto 1.

12. Medio ambiente

Durante la manipulación, funcionamiento, almacenamiento y transporte, deben cumplirse todas las normativas medioambientales en vigor sobre manipulación de materiales peligrosos.

ADVERTENCIA

Sustancia corrosiva

Muerte o lesión personal grave



- Al retirar la bomba del funcionamiento, debe comprobarse que no quede ningún material peligroso en la bomba/motor y tubería de elevación, que pueda ser dañino para las personas o el medioambiente.

En caso de duda, contactar con Grundfos o las autoridades locales.

13. Eliminación

La eliminación de este producto o partes de él debe realizarse de forma respetuosa con el medio ambiente:

1. Utilizar el servicio local, público o privado, de recogida de residuos.
2. Si esto no es posible, contactar con la compañía o servicio técnico Grundfos más cercano.

Nos reservamos el derecho a modificaciones.

Suomi (FI) Asennus- ja käyttöohjeet

Alkuperäisen englanninkielisen version käännös

SISÄLLYSLUETTELO

	Sivu
1. Tässä julkaisussa käytettävät symbolit	110
2. Yleisesti	111
2.1 Käyttö	111
3. Tekniset tiedot	112
3.1 Varastointi	112
3.2 Äänenpainetaso	112
4. Valmistelu	112
4.1 Moottorin nestetäyttö	112
4.2 Tilantarve	113
4.3 Nestelämpötila/jäähdytys	113
5. Sähköliitännät	114
5.1 Yleistä	114
5.2 Moottorisuojaus	114
5.3 Moottorin liittäminen	114
6. Asennus	115
6.1 Yleistä	115
6.2 Pumpun yhdistäminen moottoriin	115
6.3 Takaiskuventtiilin poistaminen	115
6.4 Moottorin kaapelipistokkeen asennus	116
6.5 Kaapelisuojan asentaminen	116
6.6 Uppokaapelin valinta	117
6.7 Uppokaapelin asennus	118
6.8 Putkiliitäntä	118
7. Käyttöönotto	119
8. Käyttö	119
8.1 Min. virtaama	119
8.2 Kalvopainesäiliön mitoitus sekä esipaineen ja painekatkaisijan säätö	119
8.3 Kaivon painejärjestelmän ylikuormitus	120
8.4 Suojaus- ja turvatoiminnot	121
9. Kunnossapito ja huolto	121
9.1 Saastuneet pumput	121
10. Vianetsintä	122
10.1 Eristysvastusmittaus	123
11. Syöttöjännitteen tarkastus	124
12. Ympäristö	124
13. Hävittäminen	124



Lue tämä asiakirja ennen asennusta. Asennuksessa ja käytössä on noudatettava paikallisia määräyksiä ja vakiintuneita käytäntöjä.



Yli 8-vuotiaat lapset tai henkilöt, joiden fyysinen, aisti- tai henkinen kapasiteetti on alentunut, tai joilla ei ole kokemusta ja tietoja laitteen turvallisesta käytöstä, voivat käyttää tätä laitetta valvotusti tai heidän turvallisuudestaan vastaavan henkilön ohjeiden mukaisesti.

Lapset eivät saa leikkiä tällä laitteella. Lapset eivät saa puhdistaa tai huoltaa tätä laitetta ilman valvontaa.

1. Tässä julkaisussa käytettävät symbolit



VAARA

Vaaratilanne, joka johtaa kuolemaan tai vakavaan loukkaantumiseen, jos turvallisuusohjeita ei noudateta.



VAROITUS

Vaaratilanne, joka voi johtaa kuolemaan tai vakavaan loukkaantumiseen, jos turvallisuusohjeita ei noudateta.



HUOMIO

Vaaratilanne, joka voi johtaa lievään tai keskivaikeaan loukkaantumiseen, jos turvallisuusohjeita ei noudateta.

Vaarasympoleihin VAARA, VAROITUS ja HUOMIO liittyvän tekstin rakenne:

HUOMIOSANA



Vaaran kuvaus

Varoituksen laiminlyönnin seuraus.
- Ohje vaaratilanteen välttämiseksi.



Sininen tai harmaa ympyrä, jonka sisällä on graafinen symboli tarkoittaa sitä, että vaaratilanne on estettävä jollain toimenpiteellä.



Punainen tai harmaa ympyrä, jossa on poikkiviiva tai musta graafinen symboli tarkoittaa, että toimintoa ei saa suorittaa tai se on keskeytettävä.



Näiden ohjeiden laiminlyönti voi aiheuttaa toimintahäiriön tai laitevaurion.



Työtä helpottavia vinkejä.

2. Yleisesti

VAROITUS



Sähköisku

Kuolema tai vakava loukkaantuminen
- Pumppua ei saa käyttää, kun vedessä on ihmisiä.

Tämän asennus- ja käyttöohjeen sivulle 412 on sijoitettu kopiot pumpun ja moottorin tyyppikilvistä. Ennenkuin SQ/SQE-pumppu lasketaan porakaivoon on e.m. sivu täytettävä pumppukohtaisilla tiedoilla. Tätä asennus- ja käyttöohjetta on säilytettävä kuivassa paikassa asennuspaikan läheisyydessä.

2.1 Käyttö

SQ ja **SQE** pumppuja käytetään puhtaitten, kevytjuoksuisten, räjähtämättömien nesteitten pumppaamiseen. Nesteet eivät saa sisältää kiintoaineita tai kuituja.

Tavallisimmat käyttökohteet:

- Pohjaveden pumppaus
 - asuinkiinteistöissä,
 - pienissä vesilaitoksissa ja
 - keinokastelujärjestelmissä, esim. kasvihuoneissa.
- Nesteensiirto säiliö- ja allasjärjestelmissä.
- Paineenkorotus.

SQE-NE pumppuja käytetään puhtaitten, kevytjuoksuisten, räjähtämättömien nesteitten pumppaamiseen. Nesteet eivät saa sisältää kiintoaineita tai kuituja.

Näitä pumppuja voidaan käyttää saastuneen pohjaveden tai hiilivetyjä sisältävien nesteitten pumppaamiseen esim.:

- purku- ja lastauspaikoilla
- kemikaalien varastointipaikoilla
- teollisuusalueilla
- öljy- ja bensiiniasemilla ja
- ympäristönsuojelussa.

SQE-NE pumppuja voidaan lisäksi käyttää näytteenottoon ja valvontaan sekä rajoitetusti vedenkäsittelyjärjestelmiin sisältyen.

Koskee kaikkia pumppumalleja:

Veden hiekkapitoisuus ei saa ylittää 50 g/m³. Suurempi hiekkapitoisuus alentaa pumpun käyttöikää ja lisää tukkeutumisen vaaraa.



Kun pumpattavan nesteen viskositeetti ylittää veden viskositeetin on otettava yhteys Grundfos'iin.

pH-arvot:

SQ ja SQE: 5-9.

SQE-NE: Ota yhteys Grundfos'iin.

Nestelämpötila:

Nestelämpötila ei saa ylittää 35 °C.

3. Tekniset tiedot

Verkköjännite:

1 x 200-240 V - 10 %/+ 6 %, 50/60 Hz, PE.
 Generaattorikäyttö: Generaattorin tehon on oltava vähintään moottorin P_1 [kW] + 10 %.

Käynnistysvirta:

Moottorin käynnistysvirta on sama kuin moottorin tyyppikilvessä ilmoitettu korkein virta-arvo.

Tehokerroin:

PF = 1.

Moottorineste:

Tyyppi SML 2.

Moottorikaapeli:

1,5 m, 3 x 1,5 mm², PE.

Nestelämpötila:

Maks. 35 °C.

Putkiyhde:

SQ 1, SQ 2, SQ 3: Rp 1 1/4.

SQ 5, SQ 7: Rp 1 1/2.

Pumpun halkaisija:

74 mm.

Porakaivon halkaisija:

Min. 76 mm.

Asennussyvyys:

Maks. 150 m staattisen vedenpinnan alapuolelle.
 Katso myös jakso [6.8.2 Asennussyvyudet](#).

Nettopaino:

Maks. 6,5 kg.

3.1 Varastointi

Varastointilämpötila: -20 °C ... +60 °C.

3.1.1 Jäätymissuojaus

Jos pumppu aiotaan varastoida käyttämisen jälkeen on sitä säilytettävä pakkaselta suojatussa tilassa tai varmistauduttava siitä, että moottorineste on pakkasen kestävä.

Moottoreita ei saa varastoida ilman moottorinesteitä.

3.2 Äänenpainetaso

Pumpun äänenpainetaso alittaa Euroopan Neuvoston direktiivin 2006/42/EY (konedirektiivi) raja-arvot.

4. Valmistelu

Grundfos MS 3 ja MSE 3 uppomoottoreissa on vesi-voidellut liukulaakerit, jotka eivät vaadi muunlaista voitelua.

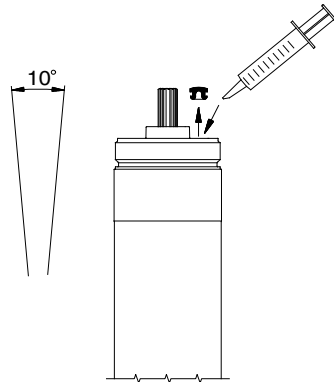
Uppomoottorit on tehtaalla täytetty erikoismoottorinesteellä Grundfos, tyyppiä SML 2, joka on pakka-
 senkestävä -20 °C lämpötilaan saakka ja joka estää bakteerikannan syntymisen moottorinesteeseen. Moottorin nestepinta on ratkaiseva laakereiden käyttöä ja samalla moottorin käyttöä.

4.1 Moottorin nestetäyttö

Jos moottorineste on jostakin syystä tyhjennetty tai tyhjentynyt, moottori on täytettävä Grundfos-moottorinesteellä SML 2.

Jälkitäyttö suoritetaan seuraavalla tavalla:

1. Irrota kaapelisuoja ja irrota pumppu ja moottori toisistaan.

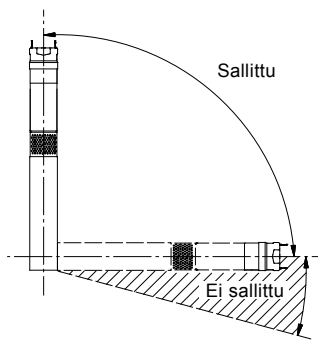


Kuva 1

2. Aseta moottori pystysuoraan asentoon n. 10 ° kaltevuudella.
 3. Avaa täyttöruuvi ruuvitalalla tai vast. työkalulla.
 4. Suorita nestetäyttö täyttöruiskun tai vast. avulla.
 5. Ravista moottoria edestakaisin niin että kaikki ilma poistuu moottorista.
 6. Asenna täyttöruuvi ja tarkista että se kiristyy tiiviisti.
 7. Asenna pumppuosu moottoriin.
 8. Asenna kaapelisuoja.
- Pumppu on nyt asennusvalmis.

4.2 Tilantarve

Pumppu soveltuu sekä vaaka- että pystysuoraan asennukseen mutta pumppuakseli **ei** kuitenkaan saa olla kaltevasti vaakatason alapuolella, katso kuva 2.



Kuva 2

Kun pumppu asennetaan vaakasuoraan, esim. säiliöön, ja on olemassa vaara, että pumppu voi peittyä lietteellä, on pumpun oltava varustettu jäähdytysvaipalla.

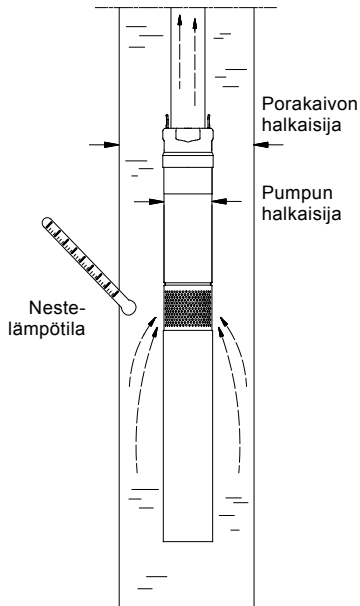
Asennussyvyudet käsitellään jaksossa [6.8.2 Asennussyvyudet](#).

4.3 Nestelämpötila/jäähdytys

Kuva 3 esittää käytössä olevaa SQ/SQE pumppua asennettuna porakaivoon. Kuvassa havainnollistetaan seuraavaa:

- Porakaivon halkaisija.
- Pumpun halkaisija.
- Pumpattavan nesteen lämpötila.
- Nestevirtaus moottorin ohi imusiivilään.

TM01 1375 4397



Kuva 3

Moottorin riittävän jäähdytksen takaamiseksi on tärkeää, ettei nesteen lämpötila missään olosuhteissa ylitä 35 °C.



Porakaivon halkaisijan on aina oltava väh. 76 mm (n. 3").

Moottori on aina asennettava kaivosuodattimen yläpuolelle. Kun käytetään jäähdytysvaippaa voidaan pumppu asentaa vapaasti porakaivoon.



On ehdottomasti vältettävä pumpun käyttämistä suljettua venttiiliä vastaan 5 minuuttia pitempään. Kun pumpun paineputki suljetaan, ei pumpussa eikä sen ympärillä tapahdu jäähdyttävää nestevirtausta, ja sekä pumpun että moottorin lämpötila voi nousta vahingollisen korkeaksi.

Jos todellinen nestelämpötila ylittää eritellyn maks. sallitun lämpötilan tai jos käyttöolosuhteet muilta osin eivät pitäydy eritellyn raja-arvojen puitteissa, voi pumppu pysähtyä. Ota yhteys Grundfos'iin.

TM01 0518 1297

5. Sähköliitännät

5.1 Yleistä

Sähköliitännät saa suorittaa vain valtuutettu sähköasentaja voimassa olevien säännösten mukaisesti.

VAROITUS

Sähköisku

Kuolema tai vakava loukkaantuminen

- Ennenkuin pumpun asennustyö aloitetaan on varmistettava, että syöttöjännite on katkaistu ja että sitä ei epähuomiossa voida kytkeä.
- Pumppu on maadoitettava.
- Pumppuun on liitettävä ulkoinen syöttöjännitteen katkaisija, joissa kaikkien napojen kärkiväli on vähintään 3 mm.
- Jos moottorin kaapeli vaurioituu, sen saa tapaturmariskin välttämiseksi vaihtaa vain Grundfos, valtuutettu huoltoilike tai muu pätevä henkilö.



Syöttöjännite, nimellisvirta ja tehokerroin ilmenevät moottorin tyyppikilvestä.

Grundfos uppomoottoreiden vaatima jännite mitattuna moottorin liittimistä on - 10 %/+ 6 % nimellisjännitteestä jatkuvassa käytössä (sisältäen syöttöjännitteen vaihtelut ja kaapelihäviöt).


VAROITUS

Sähköisku

Kuolema tai vakava loukkaantuminen

- Jos pumppu liitetään sähköasennukseen, jossa käytetään vikavirtakatkaisijaa, tämän **tulee olla** tyyppiltään HPFI tai PFI, joka katkaisee tunnistaessaan tasavirtasisältöisen vikavirran (sykkivä tasavirta).



Vikavirtakatkaisijassa on **oltava** seuraavan symbolin mukainen merkintä: .

Syöttöjännite:

1 x 200-240 V - 10 %/+ 6 %, 50/60 Hz, PE.

Virrankulutus saadaan mitata ainoastaan RMS-osoitavalla mittarilla. Jos käytetään muunlaisia mittareita tulee mittarilukema poikkeamaan todellisesta arvosta.

SQ/SQE-pumppujen kohdalla voidaan tyyppisesti mitata 2,5 mA vuotovirta jännitteellä 230 V, 50 Hz. Vuotovirta on suhteellinen syöttöjännitteeseen.

SQE ja SQE-NE pumppuihin voidaan liittää CU 300 tai CU 301 tyyppinen kytkentärasia.



Pumppuun ei saa liittää kondensaattoria tai muun mallista kytkentärasiaa. Pumppuun ei saa liittää taajuusmuuttajaa.

5.2 Moottorisuojaus

Moottorissa on sisäänrakennettu lämpökatkaisija, eikä se sen tähden vaadi muuta moottorisuojausta.

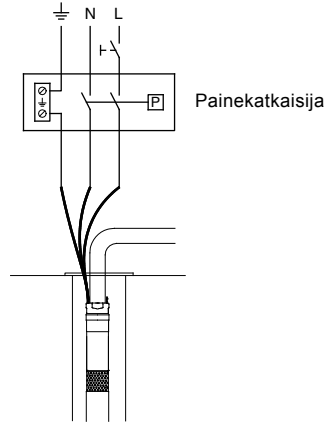
5.3 Moottorin liittäminen

Moottorissa on sisäänrakennettu käynnistin ja se voidaan tämän ansiosta liittää suoraan syöttöjännitteeseen.

Pumpun käynnistys ja pysäytys tulee järjestää tavanomaisesti painekatkaisijalla, katso kuva 4.



Painekatkaisijan on oltava mitoitettu kyseisen pumputyyppin maks. virralle.



Kuva 4

6. Asennus

6.1 Yleistä

VAROITUS

Sähköisku

Kuolema tai vakava loukkaantuminen

- Ennenkuin mihinkään toimenpiteisiin pumpussa/moottorissa ryhdytään, on syytöjännite katkaistava ja lisäksi varmistettava, että sitä ei epähuomiolla voida kytkeä.



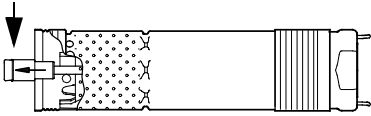
Pumpua ei saa nostaa tai laskea moottorikaapeleista.

Pumpun mukana toimitettu irrallinen tyyppikilpi tulee sijoittaa pumpun läheisyyteen.

6.2 Pumpun yhdistäminen moottoriin

Yhdistä pumppuosa ja moottori seuraavalla tavalla:

1. Aseta moottori vaakasuoraan asentoon ruuvi-penkkiin ja kiristä moottori kiinni, katso kuva 6.
2. Vedä pumpun akseli kuvan 5 osoittamaan asentoon.

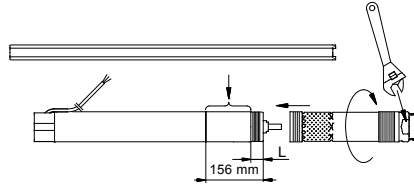


Kuva 5

3. Rasvaa moottorin akselipää toimitukseen sisällyvällä rasvalla.
4. Kiinnitä pumppuosa kierteellä moottoriin (55 Nm).

Huom. Pumpun akselin tulee kytkeytyä moottorin akseliin.

Pumpussa on kiristyspinnat, joiden kohdalla voidaan käyttää jakoavainta avuksi, katso kuva 6.



Kuva 6

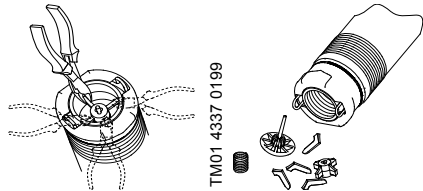
Moottori (P2) [kW]	L [mm]
0,70	120
1,15	102
1,68	66
1,85	66

Kun pumppuosa ja moottori on oikein yhdistetty/koottu, ei pumppuosan ja moottorin välillä saa olla rakoa.

6.3 Takaiskuventtiilin poistaminen

Jos pumppu halutaan asentaa ilman takaiskuventtiiliä, voidaan venttiili poistaa seuraavalla tavalla:

1. Katkaise venttiiliohjaimen neljä tukijalkaa sivuleikkureilla tai vastaavalla työkalulla, katso kuva 7.
2. Käännä pumppua niin, että poistoyhde on alaspäin.
3. Tarkista, että kaikki irtonaiset osat ovat pudonneet ulos pumpusta.



Kuva 7



SQE-NE pumput toimitetaan ilman takaiskuventtiiliä.

Takaiskuventtiili voidaan asentaa uudelleen Grundfos huoltokorjaamolla.

6.4 Moottorin kaapelipistokkeen asennus

VAROITUS

Sähköisku

Kuolema tai vakava loukkaantuminen

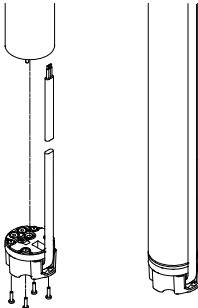
- Käyttäjää ei missään olosuhteissa saa irrottaa moottorin pistokettä.
- Pistokkeella varustetun kaapelin saa asentaa tai irrottaa vain Grundfos-huoltorjaamo tai valtuutettu sähköasentaja.

Seuraava kuvaus on tarkoitettu ainoastaan huoltohenkilöstölle. Jos moottorin kaapeli on vaihdettava, katso kappale [5.1 Yleistä](#).

Toimitukseen sisältyvä kaapelipistoke on rasvattu tehtaalla. Tarkista, että rasvaus on kunnossa.

Asenna kaapelipistoke seuraavalla tavalla:

1. Tarkista, että kaapelin tyyppi, poikkipinta-ala ja pituus ovat oikeat.
2. Tarkista, että asennuspaikan syöttöjännite on oikein maadoitettu.
3. Tarkista, että moottoripistoke on puhdas ja kuiva. Varmista, että irtonainen tiiviste on asennettu.
4. Paina kaapelin pistotulppa moottorin pistokkeeseen. Kaapelipistoketta ei voi asentaa väärin, katso kuva [8](#).



Kuva 8

5. Asenna ja kiristä neljä ruuvia kuvan [8](#) mukaisesti (1 - 1,5 Nm).

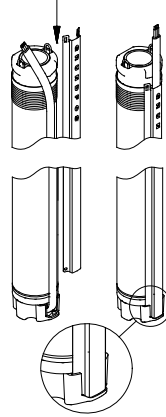
Kun pistokeliitin on asennettu, ei moottorin ja kaapelipistokkeen välillä saa olla rakoa.

TM02 9605 3504

6.5 Kaapelisuojan asentaminen

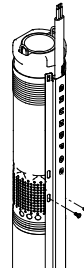
Asenna kaapelisuoja seuraavalla tavalla:

1. Aseta uppokaapeli lappeelleen kaapelisuojaan(-kiskoon).
2. Aseta kaapelisuoja kaapelipistokkeen uraan. Kaapelisuojaan kaksi uloketta tulee sijoittaa pumpunpuvaidan yläreunassa sijaitseviin hahloihin, katso kuva [9](#).



Kuva 9

3. Kiinnitä kaapelisuoja pumpun imuviilään toimitukseen sisältyvällä kahdella itsepöraavalla ruuvilla, katso kuva [10](#).



Kuva 10

TM02 9613 3504

TM01 4427 0299

6.6 Uppokaapelin valinta

Grundfos toimittaa uppokaapelit lähes kaikkiin asennuksiin.

Uppokaapelit on valittava niin suurella poikkipinta-alalla, että jaksossa [5.1 Yleistä](#) esitetyt jännitevaatimukset tulevat täyteen.

Huomio

Alempana esitettyssä taulukossa arvot on laskettu seuraavan kaavan mukaan:

$$q = \frac{I \times 2 \times 100 \times PF \times L \times \rho}{U \times \Delta U}$$

q = Uppokaapelipoikkipinta-ala [mm²].

I = Moottorin leimattu maks. virta [A].

PF = 1,0.

L = Uppokaapelin pituus [m].

ρ = Ominaisvastus: 0,02 [Ωmm²/m].

U = Nimellisjännite [V].

ΔU = Jännitehäviö [%] = 4 %.

4 % jännitehäviö noudattaa IEC 3-64, sarja HD-384 standardia.

Laskelman tuloksena syntyvät seuraavat maks. kaapelipituudet 240 V syöttöjännitteellä:

		Maks. kaapelipituus [m]					
Moottori (P2)	I _N [A]	Kaapelin koko					
		1,5 mm ²	2,1 mm ² / 14 AWG	2,5 mm ²	3,3 mm ² / 12 AWG	4 mm ²	6 mm ²
[kW]							
0,7	5,2	80	112	133	176	213	320
1,15	8,4	50	69	83	109	132	198
1,68	11,2	37	52	62	82	99	149
1,85	12	35	49	58	76	92	139

6.7 Uppokaapelin asennus

Uppokaapeli ja moottorikaapeli suositellaan liitettäväksi toisiinsa Grundfos kaapeliliitossarjalla tyyppiä KM.

Kaapeliliitossarja tyyppi KM	
Johdinpinta-ala	Tuotenumero
1,5 ... 6,0 mm ²	96021473

Ota yhteys Grundfos'iin suurempien poikkipinta-alojen ollessa kyseessä.

6.8 Putkiliitäntä

Jos nousuputkea asennettaessa käytetään työkaluja pumpun kiinnittämiseksi, esim. ketjupihtejä, saa näitä käyttää ainoastaan pumpun yläkappaleen kohdalla.

Kun käytetään muoviputkia, on käytettävä puristeiliitosta siirryttäessä pumpulta ensimmäiselle putkijatkelle.

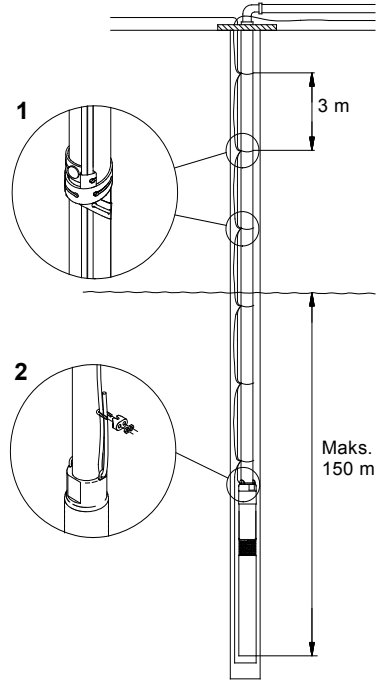


Muoviputkilla asennettujen pumppujen osalta on pumppujen upotussyvyudessa huomioitava putkien venymisen kuormituksen alaisena.

Kun käytetään laippaputkia, on laipoissa oltava varaus uppokaapelia varten.

Kuva 11 esittää pumppuasennusta, josta ilmenevät:

- Kaapelisiteitten sijoitukset, pos. 1, ja niiden etäisyys.
- Turvalangan (-vaijerin) asennus, pos. 2.
- Maks. asennussyvyys vedenpinnan alapuolella.



Kuva 11

6.8.1 Kaapelisiteet

Kaapelisiteitä tulee käyttää n. 3 m välein, katso kuva 11.

Kun käytetään muoviputkia, on uppokaapeliin jätettävä löysää jokaisen kaapelisideparin väliin kuormituksen aiheuttaman venymisen johdosta.

Kun käytetään laippaputkia, on kaapelisiteitä käytettävä lisäksi jokaisen laippaparin molemmin puolin.

6.8.2 Asennussyvyudet

Maks. asennussyvyys staattisesta vedenpinnasta on 150 m, katso kuva 11.

Min. asennussyvyys dynaamisesta vedenpinnasta:

- **Pystysuora asennus:**
Sekä käynnistyksen että käytön aikana pumpun on aina oltava kokonaan upotettuna pumpattavaan nesteeseen.
- **Vaakasuora asennus:**
Pumppu on asennettava ja sitä saa käyttää kun se on vähintään 0,5 m nestepinnan alla.
Jos on olemassa vaara, että pumppu voi peittyä lietteellä, on pumppu aina varustettava jäähdytysvaipalla.

6.8.3 Pumpun upottaminen

On suositeltavaa varmistaa pumppu kuormittamattomalla turvalangalla, katso kuva 11, pos. 2.

Turvalankaa löysätään sen verran, että se juuri ja juuri on kuormittamaton ja se kiinnitetään sen jälkeen vajjerilukolla porakaivon kanteen.



Turvalangalla ei saa nostaa pumppua kaihosta.



Pumppua ei saa nostaa tai laskea moottorikaapelista.

7. Käyttöönotto

Tarkista, että porakaivo pystyy tuottamaan vähintään pumpun tuottoa vastaavan määrän vettä.

Pumppua ei saa käynnistää ennenkuin imusiivilä on kokonaisuudessaan upotettu nesteeseen.

Käynnistä pumppu ja anna sen käydä niin kauan, että pumpattava neste on täysin puhdasta, jolloin uhkaa pumppuosien tai takaiskuventtiilin tukkeutumista ei enää ole.

8. Käyttö

8.1 Min. virtaama

Moottorin jäähdytyksen turvaamiseksi pumpun tuottoa ei saa säätää pienemmäksi kuin 50 l/h.

Jos pumpun tuotto äkillisesti laskee, on synnyn se, että pumppu pumppaa enemmän kuin kaivo pystyy tuottamaan. Pumppu on tällöin pysäytettävä ja tuot-
toarvoja muutettava.



Näiden turvallisuusohjeiden laiminlyöminen voi aiheuttaa toimintahäiriön tai laite-
vaurion!

8.2 Kalvopainesäiliön mitoitus sekä esipaineen ja painekatkaisijan säätö

VAROITUS

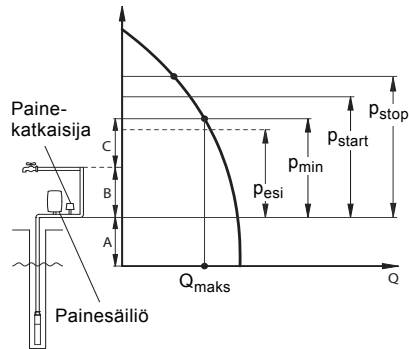


Paineistettu järjestelmä

Kuolema tai vakava loukkaantuminen
- Järjestelmään on mitoitettava pumpun maks. paineelle.

Koska pumppu on sisäänrakennettu pehmokäynnistiin, joka käynnistää 2 sek. kuluessa, on paine painekatkaisijassa ja painesäiliössä käynnistyksen jälkeen alempi kuin painekatkaisijan asetettu käynnistyspaine (p_{start}). Tätä alemmaa painetta kutsutaan minimipaineeksi (p_{min}).

p_{min} = ylimmän hanan toivottu minimipaine + nostokorkeus ja putkistohäviöt painekatkaisijasta ja painesäiliöstä ylimmälle hanalle ($p_{min} = B + C$), katso kuva 12.



Kuva 12

- A: Nostokorkeus + putkistohäviö dynaamisesta veden pinnasta painesäiliölle.
B: Nostokorkeus + putkistohäviö painesäiliöltä ylimmälle hanalle.
C: Minimipaine ylimmällä hanalla.



Varmista, että valittu pumppu pystyy aikaansaamaan paineen joka on korkeampi kuin $p_{stop} + A$.

- p_{esi} : Esipaine.
 p_{min} : Toivottu minimipaine.
 p_{start} : Painekatkaisijalle asetettu käynnistyspaine.
 p_{stop} : Painekatkaisijalle asetettu pysäytyspaine.
 Q_{maks} : Maks. tuotto minimipaineella (p_{min}).

TM00 6445 3795

8.3 Kaivon painejärjestelmän ylikuormitus

Suojaa järjestelmä ylikuormitukselta asentamalla yli-paineventtiili kaivon myötävirtaan. Ylipaineventtiilin asetuspisteen on oltava vähintään 30 psi:tä suurempi kuin paineasetus.

Jos asennat ylipaineventtiilin, suosittelemme liittämään sen sopivaan tyhjennyskohtaan.

Kun tunnetaan p_{\min} ja Q_{\max} , löydetään **pienin** käytettävä kalvopainesäiliö, esipainesäätö ja painekatkaisija-asetukset alempana esitetystä suuntaa antavasta taulukosta:

Esimerkki:

$p_{\min} = 35$ mvp, $Q_{\max} = 2,5$ m³/h.

Näiden tietojen perusteella saadaan seuraavat arvot taulukosta:

Pienen käytettävä kalvopainesäiliön koko = 33 l.

$p_{\text{esi}} = 31,5$ mvp.

$p_{\text{start}} = 36$ mvp.

$p_{\text{stop}} = 50$ mvp.

p_{\min} [mvp]	Q_{\max} [m ³ /h]																p_{esi} [mvp]	p_{start} [mvp]	p_{stop} [mvp]		
	0,6	0,8	1	1,2	1,5	2	2,5	3	3,5	4	4,5	5	5,5	6	6,5	7				7,5	8
Kalvopainesäiliön koko [litraa]																					
25	8	8	18	18	18	18	24	33	33	50	50	50	50	80	80	80	80	80	22,5	26	40
30	8	8	18	18	18	24	33	33	50	50	50	50	80	80	80	80	80		27	31	45
35	8	18	18	18	18	24	33	33	50	50	50	80	80	80	80	80			31,5	36	50
40	8	18	18	18	18	24	33	50	50	50	80	80	80	80	80				36	41	55
45	8	18	18	18	24	33	33	50	50	50	80	80	80	80					40,5	46	60
50	8	18	18	18	24	33	50	50	50	80	80	80	80						45	51	65
55	18	18	18	18	24	33	50	50	50	80	80	80							49,5	56	70
60	18	18	18	18	24	33	50	50	80	80	80	80							54	61	75
65	18	18	18	24	24	33	50	50	80	80	80	80							58,5	66	80

1 mvp = 0,098 bar.

8.4 Suojaus- ja turvatoiminnot

Moottorissa on sisäänrakennettu elektroninen yksikkö, joka suojaa moottoria erilaisissa tilanteissa.

Ylikuormitustilanteessa sisäänrakennettu ylikuormitussuoja pysäyttää pumpun 5 minuutiksi.

Tämän jälkeen pumppu yrittää käynnistyä uudelleen.

Jos pumppu pysähtyy kuivakäynnin johdosta se käynnistyy uudelleen automaattisesti 5 min. kuluttua.

Jos pumppu käynnistyy uudelleen ja porakaivo on tyhjä, pumppu pysähtyy 30 sekunnin kuluttua.

Pumppuhäiriön kuitaaminen: Katkaise syöttöjännite 1 minuutin ajaksi.

Moottori on lisäksi suojattu seuraavissa tilanteissa:

- Kuivakäynti
- salamaniskuilta (6000 V)
Alueilla, joissa salamoinnin todennäköisyys on suuri, tarvitaan ulkoista ukkossuojaa.
- ylijännitteitä
- alijännitteitä
- ylikuormitukselta ja
- ylikuumentumiselta.

SQE pumput/MSE 3 moottoreilla:



CU 300 tai CU 301 avulla MSE 3 moottorin kuivakäynnin pysäytysraja voidaan säätää vastaamaan käyttökohteen todellisia olosuhteita.

9. Kunnossapito ja huolto

Pumput ovat normaalkäytössä huoltovapaita.

Kerrostumia ja kuluneisuutta voi esiintyä. Grundfos voi toimittaa huoltosarjoja ja huoltotyökaluja.

Pyynnöstä voidaan myös toimittaa Grundfos Service Manual ohjevihkonen.

Pumput voidaan huoltaa Grundfos huoltopisteessä.

9.1 Saastuneet pumput



Jos pumppua on käytetty nesteellä, joka on haitallinen terveydelle tai myrkyllinen, pumppu luokitellaan saastuneeksi.

Kun tämänlaatuinen pumppu halutaan huoltaa Grundfos huollossa, on huoltokorjaamoon otettava yhteys ja ilmoitettava pumpatut nesteet y.m., *ennen kuin* pumppu toimitetaan huoltoon. Muussa tapauksessa Grundfos voi kieltäytyä vastaanottamasta ja huoltamasta pumppua.

Yleensäkin on jokaisen huoltotarpeen yhteydessä, paikasta riippumatta, annettava yksityiskohtaiset tiedot pumpatuista nesteistä, kun pumppua on käytetty terveydelle vaarallisten tai myrkyllisten nesteitten siirtoon.

SQE-NE: Vain pumput joille voidaan antaa vakuutus, että ne eivät ole saastuneita, t.s. eivät sisällä vaarallisia ja/tai myrkyllisiä aineita, voidaan lähettää Grundfos'ille huollettaviksi.

Työ- ja ympäristöturvallisuutta silmälläpitäen vaaditaan turvallisuusvakuutus siitä, että pumppu on puhdas.

Turvallisuusvakuutuksen on oltava Grundfos'illa ennen pumppua. Muussa tapauksessa Grundfos voi kieltäytyä vastaanottamasta ja huoltamasta pumppua.

Mahdolliset palautukseen liittyvät kulut peritään asiakkaalta.

10. Vianetsintä

HUOMIO**Sähköisku**

Lievä tai keskivaikkea loukkaantuminen

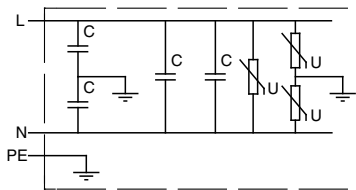
- Ennenkuin mihinkään toimenpiteisiin pumpussa/moottorissa ryhdytään, on syöttöjännite katkaistava ja lisäksi varmistettava, että sitä ei epähuomioissa voida kytkeä.

Häiriö	Syy	Toimenpide
1. Moottori ei käynnisty.	a) Sähköasennuksen sulakkeet ovat palaneet.	Vaihda sulakkeet. Jos uudetkin sulakkeet palavat on sähköasennus ja uppokaapeli tarkastettava.
	b) HPFI-rele, PFI-rele tai vikavirta-katkaisija on lauennut.	Kytke rele tai katkaisija.
	c) Syöttöverkon jännite puuttuu.	Ota yhteys sähkönjakeluun.
	d) Moottorisuoja on lauennut ylikuormituksen johdosta.	Tarkista, onko moottori tai pumppu tukkeutunut.
	e) Pumppu/uppokaapeli on viallinen.	Korjaa/vaihda pumppu/uppokaapeli.
	f) Esiintyy ylijännitettä tai alijännitteitä.	Tarkista syöttöjännite.
2. Pumppu toimii mutta ei tuota vettä.	a) Sulkuventtiili tulopuolella kiinni.	Avaa venttiili.
	b) Porakaivossa ei lainkaan tai liian vähän vettä.	Katso kohta 3 a).
	c) Takaiskuventtiili tukkeutunut suljettuun asentoon.	Nosta pumppu ylös ja puhdista tai vaihda takaiskuventtiili.
	d) Imusiivilä tukkeutunut.	Nosta pumppu ja puhdista imusiivilä.
	e) Pumppu on viallinen.	Korjaa/vaihda pumppu.
3. Pumppu toimii alennetulla tuotolla.	a) Vedenpinnan aleneminen on suurempi kuin arvioitu.	Lisää pumpun upotussyvyyttä, alenna tuottoa, tai vaihda pumppu pienempään.
	b) Tulopuolen venttiilit osittain suljetut tai tukkeutuneet.	Tarkista ja puhdista/vaihda venttiilit.
	c) Tuloputki on osittain tukkeutunut epäpuhtauksista (kerrostumia).	Puhdista tai vaihda tuloputki.
	d) Pumpun takaiskuventtiili on osittain tukkeutunut.	Nosta pumppu ylös ja puhdista tai vaihda takaiskuventtiili.
	e) Pumppu ja nousuputki ovat osittain tukkeutuneet (kerrostumia).	Nosta pumppu ylös. Tarkista ja puhdista tai vaihda pumppu. Puhdista putket.
	f) Pumppu on viallinen.	Korjaa tai vaihda pumppu.
	g) Vuoto putkistossa.	Tarkista ja korjaa putkisto.
	h) Nousuputki on viallinen.	Vaihda nousuputki.
	i) Esiintyy alijännitettä.	Tarkista syöttöjännite.

Häiriö	Syy	Toimenpide
4. Tiheästi toistuvat käynnistyksset ja pysäytykset.	a) Paineatkaisijan paine-ero käynnistyksen ja pysäytyksen välillä on liian pieni.	Lisää paine-eroa. Pysäytyspaine ei kuitenkaan saa ylittää painesäiliön työpainetta ja käynnistyspaineen on oltava niin korkea, että se takaa riittävän vesihuoltopaineen.
	b) Automaattinen vedenpinnan korkeusvalvonta ei ole oikein asennettu.	Säädä anturit/pintakytkimet oikein keskenään niin, että käynnistystiheys on sopiva. Katso käytetyn automatiikan asennus- ja käyttöohjeita. Jos käynnistys-/pysäytystiheyttä ei pysty muuttamaan voi pumpun tuottoa mahd. alentaa rajoittamalla venttiili-asentoa.
	c) Takaiskuventtiili vuotaa tai on juuttunut puoliavoimeen asentoon.	Nosta pumppu ylös ja puhdista tai vaihda takaiskuventtiili.
	d) Syöttöjännite on epävaka.	Tarkista syöttöjännite
	e) Moottori ylikuumentuu.	Tarkista veden lämpötila.

10.1 Eristysvastusmittaus

SQ/SQE-pumppuja sisältävissä asennuksissa ei saa suorittaa eristysvastusmittausta koska sisäänrakennettu elektroniikka tällöin voi vaurioitua, katso kuva 13.



Kuva 13

11. Syöttöjännitteen tarkastus

VAROITUS

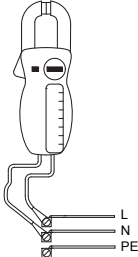
Sähköisku

Kuolema tai vakava loukkaantuminen

- Ennenkuin mihinkään toimenpiteisiin pumpussa/moottorissa ryhdytään, on syöttöjännite katkaistava ja lisäksi varmistettava, että sitä ei epähuuomiossa voida kytkeä.



1. Verkköjännite

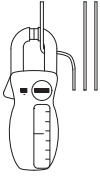


TM00 1371 4904

Mittaa jännite (RMS) vaiheen ja nollan välillä. Liitä volttimitari liitäntäpaikan liittimiin.

Kuormituksen alaisen jännitteen on sijaittava jakson [5. Sähköliitännät](#) raja-arvojen puitteissa. Verkköjännitteen suuret vaihtelut ovat merkki huonosta sähköjakelusta ja pumppu pysähtyy kunnes häiriö on korjattu.

2. Virrankulutus



TM00 1372 5082

Mittaa virta (RMS) pumpun käydessä vakioalähtöpaineella (mikäli mahdollista moottorin suurinta kuormitusta vastavalla tuotolla).

Maks. virta ilmenee tyypikkilvestä.

Jos virta-arvo ylittää täyskuorma-arvon, voivat seuraavat häiriöt olla mahdollisia:

- Huono johdinkosketus, mahd. kaapeliliitossarjassa.
- Liian alhainen syöttöjännite, katso kohta 1.

12. Ympäristö

Käsittelyn, käytön, varastoinnin ja kuljetuksen aikana on noudatettava kulloinkin voimassa olevia vaarallisten aineitten käsittelyä koskevia ympäristösuojelun säännöksiä.

VAROITUS

Syövyttävä aine

Kuolema tai vakava loukkaantuminen

- Kun pumppu poistetaan käytöstä, on varmistettava, ettei pumppu/moottori tai nousuputki sisällä jäännöksiä mahd. haitallisista aineista, jotka voivat vahingoittaa ihmisiä tai ympäristöä.



Epäselvissä tapauksissa on otettava yhteys Grundfos'iin tai paikallisiin viranomaisiin.

13. Hävittäminen

Tämä tuote tai sen osat on hävitettävä ympäristöystävällisellä tavalla:

1. Käytä yleisiä tai yksityisiä jätekeräilyä palveluja.
2. Ellei tämä ole mahdollista, ota yhteys lähimpään Grundfos-yhtiöön tai -huoltoliikkeeseen.

Oikeus muutoksiin pidätetään.

Traduction de la version anglaise originale

SOMMAIRE

	Page
1. Symboles utilisés dans cette notice	125
2. Généralités	126
2.1 Applications	126
3. Données techniques	127
3.1 Stockage	127
3.2 Niveau de pression acoustique	127
4. Préparation	127
4.1 Remplissage du liquide moteur	127
4.2 Positionnement	128
4.3 Température du liquide / refroidissement	128
5. Branchement électrique	129
5.1 Généralités	129
5.2 Protection moteur	129
5.3 Raccordement du moteur	129
6. Installation	130
6.1 Généralités	130
6.2 Assemblage du moteur et de l'hydraulique	130
6.3 Suppression définitive du clapet anti-retour	130
6.4 Montage de la fiche de câble sur le moteur	131
6.5 Montage du protège-câble	131
6.6 Choix de câble immergé	132
6.7 Montage du câble immergé	133
6.8 Raccordement à la tuyauterie	133
7. Démarrage	134
8. Fonctionnement	134
8.1 Débit minimum	134
8.2 Sélection du réservoir à diaphragme et réglage de la pression de prégonflage et du contacteur manométrique	134
8.4 Protection intégrée	136
9. Maintenance et réparation	136
9.1 Pompes contaminées	136
10. Tableau de recherche des pannes	137
10.1 Mesure de la résistance d'isolement	138
11. Contrôle de l'alimentation électrique	139
12. Environnement	139
13. Mise au rebut	139



Avant de procéder à l'installation, lire attentivement ce document. L'installation et le fonctionnement doivent être conformes aux réglementations locales et faire l'objet d'une bonne utilisation.



Cet appareil peut être utilisé par des enfants âgés d'au moins 8 ans et par des personnes ayant des capacités physiques, sensorielles ou mentales réduites ou dénuées d'expérience ou de connaissance, s'ils (si elles) sont correctement surveillé(e)s ou si des instructions relatives à l'utilisation de l'appareil en toute sécurité leur ont été données et si les risques encourus ont été appréhendés. Les enfants ne doivent pas jouer avec l'appareil. Le nettoyage et l'entretien ne doivent pas être effectués par des enfants sans surveillance.

1. Symboles utilisés dans cette notice

DANGER



Signale une situation dangereuse qui, si elle n'est pas évitée, entraîne la mort ou des blessures graves.

AVERTISSEMENT



Signale une situation dangereuse qui, si elle n'est pas évitée, peut entraîner la mort ou des blessures graves.

PRÉCAUTIONS



Signale une situation dangereuse qui, si elle n'est pas évitée, peut entraîner des blessures mineures ou modérées.

Le texte accompagnant les trois symboles de danger DANGER, AVERTISSEMENT et PRÉCAUTIONS se présente de la façon suivante :

TERME DE SIGNALLEMENT



Description du danger

Conséquence de la non-observance de l'avertissement.

- Action pour éviter le danger.



Un cercle bleu ou gris autour d'un pictogramme blanc indique qu'il faut agir.



Un cercle rouge ou gris avec une barre diagonale, autour d'un pictogramme noir éventuel, indique qu'une action est interdite ou doit être interrompue.



Si ces consignes de sécurité ne sont pas respectées, cela peut entraîner un dysfonctionnement ou endommager le matériel.



Conseils et astuces pour faciliter les opérations.

2. Généralités

AVERTISSEMENT



Choc électrique

Mort ou blessures graves

- La pompe ne doit pas être utilisée lorsque des personnes sont dans l'eau.

Les plaques signalétiques de la pompe et du moteur sont montrées page 412 de cette notice d'installation et d'entretien.

Avant d'immerger la pompe SQ/SQE dans le forage, il convient de remplir cette page avec les caractéristiques provenant des plaques signalétiques.

Conservé cette notice d'installation et d'entretien à un endroit sec à proximité du lieu d'installation.

2.1 Applications

Les pompes **SQ** et **SQE** sont conçues pour le pompage de liquides fluides propres, non agressifs et non explosifs sans particules solides ou fibreuses.

Domaines d'application typiques :

- Adduction d'eau souterraine pour
 - immeubles,
 - petites stations d'épuration,
 - installations d'irrigation, par ex. dans des serres.
- Transfert de liquide dans des installations de réservoirs.
- Surpression.

Les pompes **SQE-NE** sont conçues pour le pompage de liquides fluides propres et non explosifs sans particules solides ou fibreuses.

Ces pompes peuvent être utilisées pour le pompage d'eau souterraine polluée ou d'eau souterraine contenant des hydrocarbures provenant par ex. de :

- décharges publiques,
- décharges de déchets chimiques,
- terrains industriels,
- stations-service,
- installations environnementales.

Les pompes **SQE-NE** sont également conçues pour le prélèvement d'échantillons et la surveillance ainsi que, dans une moindre mesure, pour être intégrées dans des installations de traitement d'eau.

S'applique à tous les types de pompe :

La concentration maxi de sable dans l'eau ne doit pas dépasser 50 g/m³. Une plus grande concentration de sable réduira la vie de la pompe et augmentera le risque de blocage.



Si des liquides de viscosité supérieure à celle de l'eau doivent être pompés, prière de contacter Grundfos.

pH :

SQ et SQE : 5 à 9.

SQE-NE : Prière de contacter Grundfos.

Température du liquide :

La température du liquide ne doit pas dépasser 35 °C.

3. Données techniques

Tension d'alimentation :

1 x 200-240 V - 10 %/+ 6 %, 50/60 Hz, PE.
Fonctionnement via un générateur : La puissance doit être au minimum égale à la puissance P_1 [kW] + 10 %.

Intensité de démarrage :

L'intensité de démarrage du moteur est égale à la valeur d'intensité la plus élevée indiquée sur la plaque signalétique du moteur.

Facteur de puissance :

PF = 1.

Liquide moteur :

Type SML 2.

Câble moteur :

1,5 m, 3 x 1,5 mm², PE.

Température du liquide :

Maximum 35 °C.

Orifice de refoulement de la pompe :

SQ 1, SQ 2, SQ 3 : Rp 1 1/4.

SQ 5, SQ 7 : Rp 1 1/2.

Diamètre de la pompe :

74 mm.

Diamètre du forage :

Minimum 76 mm.

Profondeur d'installation :

Maximum 150 mètres sous le niveau statique de l'eau.

Voir aussi section [6.8.2 Profondeurs d'installation](#).

Poids net :

Maximum 6,5 kg.

3.1 Stockage

Température de stockage : -20 °C à +60 °C.

3.1.1 Protection contre le gel

Si la pompe doit être stockée après usage, il faudra la stocker dans un endroit à l'abri du gel ou s'assurer que le liquide moteur est protégé contre le gel.

Ne pas stocker le moteur sans liquide moteur.

3.2 Niveau de pression acoustique

Le niveau de pression acoustique de la pompe est inférieur aux seuils indiqués dans la Directive du Conseil 2006/42/CE (relative aux machines).

4. Préparation

Les moteurs immergés Grundfos MS 3 et MSE 3 sont équipés de paliers lisses lubrifiés à l'eau. Aucune lubrification supplémentaire n'est nécessaire.

Les moteurs immergés sont initialement remplis avec un liquide moteur spécial Grundfos, type SML 2, qui les protège du gel jusqu'à -20 °C et qui contient un bactéricide.

Le niveau du liquide dans le moteur est déterminant pour la durée de vie des paliers et donc du moteur.

4.1 Remplissage du liquide moteur

Si, pour une raison quelconque, le liquide moteur a été vidangé ou perdu, le moteur doit être rempli de nouveau avec du liquide Grundfos SML 2.

Effectuer le remplissage de liquide de la manière suivante :

1. Déposer le protège-câble et démonter l'hydraulique du moteur.

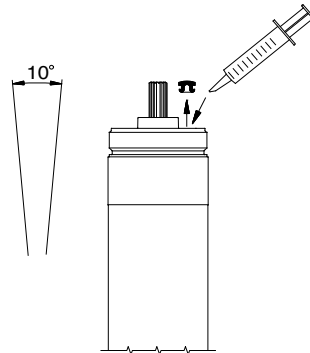


Fig. 1

2. Positionner le moteur à la verticale avec une inclinaison d'environ 10 °.
 3. Démontez le bouchon de remplissage à l'aide d'un tournevis ou d'un outil similaire.
 4. Injecter le liquide dans le moteur à l'aide d'une seringue de remplissage ou d'un outil similaire.
 5. Faire effectuer au moteur un mouvement d'avant en arrière afin d'en évacuer l'air éventuellement présent.
 6. Replacer le bouchon de remplissage et vérifier qu'il est étanche.
 7. Assembler l'hydraulique et le moteur.
 8. Monter le protège-câble.
- La pompe est maintenant prête à être installée.

TM02 9606 3504

4.2 Positionnement

La pompe peut être installée verticalement ou horizontalement ; cependant l'arbre de la pompe ne doit jamais être en-dessous du plan horizontal, voir fig. 2.

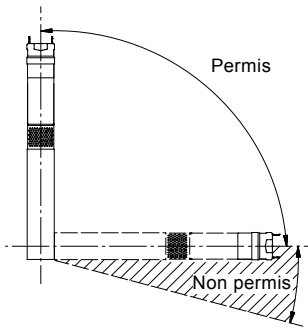


Fig. 2

Si la pompe est installée horizontalement, par ex. dans un réservoir, et si la pompe risque d'être recouverte de boue, elle doit être montée dans une chemise.

Pour les profondeurs d'installation, voir section [6.8.2 Profondeurs d'installation](#).

4.3 Température du liquide / refroidissement

La fig. 3 montre la pompe SQ/SQE installée dans un forage. La pompe est en service.

La fig. 3 montre :

- Le diamètre du forage
- Le diamètre de la pompe
- La température du liquide pompé
- Le flux le long du moteur jusqu'à la crépine d'aspiration de la pompe.

TM01 1375 4397

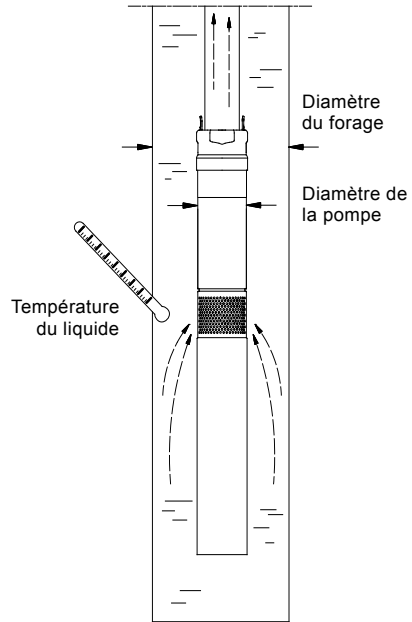


Fig. 3

Pour assurer un bon refroidissement du moteur, il est important de ne pas dépasser la température maxi de 35 °C sous toutes les conditions.



Le diamètre du forage doit être d'au minimum 76 mm (env. 3").

Il convient de toujours installer le moteur au-dessus du filtre de forage. Dans le cas de l'utilisation d'une chemise, la pompe peut être librement installée dans le forage.



Ne pas laisser tourner la pompe à vanne de refoulement fermée pendant plus de 5 minutes. Lorsque la vanne au refoulement est fermée, il n'y a pas de flux de liquide de refroidissement et donc un risque de surchauffe de la pompe peut avoir lieu.

Si la température du liquide dépasse la valeur spécifiée ou si les conditions de fonctionnement sont hors des limites des spécifications, la pompe peut s'arrêter. Prière de contacter Grundfos.

TM01 0518 1297

5. Branchement électrique

5.1 Généralités

Le branchement électrique doit être effectué par un électricien agréé conformément à la réglementation locale.

AVERTISSEMENT

Choc électrique

Mort ou blessures graves

- Avant toute intervention sur la pompe, s'assurer que l'alimentation électrique a été coupée et qu'elle ne risque pas d'être branchée accidentellement.
- La pompe doit être reliée à la terre.
- La pompe doit être connectée à un interrupteur principal externe avec un intervalle isolant de 3 mm mini entre chaque pôle.
- Si le câble moteur est endommagé, celui-ci doit absolument être remplacé par Grundfos, un réparateur agréé Grundfos ou des personnes qualifiées et autorisées.



La tension d'alimentation, le courant maximal et le facteur de puissance (PF) sont indiqués sur la plaque signalétique du moteur.

En fonctionnement continu, la tension requise pour les moteurs immergés Grundfos, mesurée aux bornes du moteur, est de $-10\%/+6\%$ de la tension nominale (en tenant compte des variations de la tension d'alimentation et des pertes dans les câbles).

AVERTISSEMENT

Choc électrique

Mort ou blessures graves

- Si la pompe est raccordée à une installation électrique équipée d'un disjoncteur à pertes à la terre à titre de protection supplémentaire, ce disjoncteur **doit** couper le circuit lorsque des courants de fuite à la terre à courant continu (courant continu pulsé) se déclenchent.



Ce disjoncteur **doit** être marqué du symbole indiqué : .

Tension d'alimentation :

1 x 200-240 V - $10\%/+6\%$, 50/60 Hz, PE.

La consommation électrique ne peut être mesurée qu'à l'aide d'un appareil RMS. En cas d'utilisation d'autres appareils, la valeur lue diffère de la valeur réelle.

Pour les pompes SQ/SQE, un courant de fuite de 2,5 mA en 230 V, 50 Hz, peut être mesuré. Le courant de fuite est proportionnel à la tension d'alimentation.

Les pompes SQE et SQE-NE ne peuvent être raccordées à une unité de contrôle, type CU 300 ou CU 301.



La pompe ne doit pas être raccordée à un condensateur ou à un autre type de unité de contrôle que CU 300 ou CU 301.
La pompe ne doit pas être reliée à un convertisseur de fréquences externe.

5.2 Protection moteur

Le moteur possède un interrupteur thermique intégré et ne nécessite donc aucune protection supplémentaire.

5.3 Raccordement du moteur

Le moteur comporte un dispositif de démarrage intégré et peut, par conséquent, être relié directement à la tension d'alimentation.

Généralement, un contacteur manométrique commande la marche/l'arrêt de la pompe, voir fig. 4.



Le contacteur manométrique doit être réglé pour le nombre d'ampères maximum de chaque pompe spécifique.

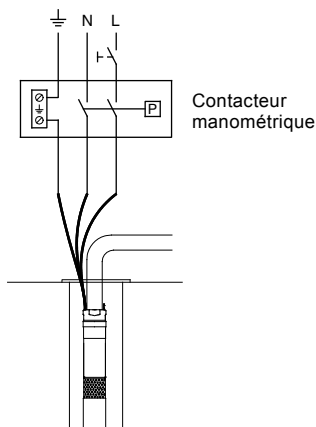


Fig. 4

6. Installation

6.1 Généralités

AVERTISSEMENT

Choc électrique

Mort ou blessures graves



- Avant toute intervention sur la pompe/le moteur, s'assurer que l'alimentation électrique a été coupée et qu'elle ne risque pas d'être branchée accidentellement.



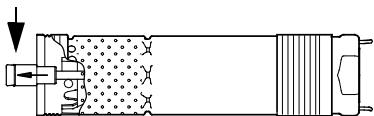
Ne pas descendre ou relever la pompe par le câble moteur.

La plaque signalétique mobile livrée avec la pompe doit être installée à proximité du lieu d'installation.

6.2 Assemblage du moteur et de l'hydraulique

Assembler l'hydraulique et le moteur de la manière suivante :

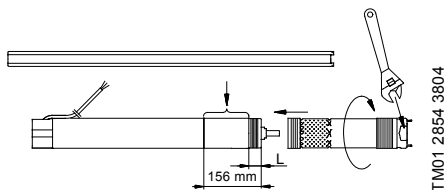
1. Placer le moteur à l'horizontale dans un étau et serrer celui-ci, voir fig. 6.
2. Extraire l'arbre de pompe comme indiqué dans fig. 5.



TM02 8425 5203

Fig. 5

3. Lubrifier le bout d'arbre du moteur avec la graisse fournie.
4. Visser l'hydraulique sur le moteur (55 Nm).
Nota : L'arbre de la pompe doit correspondre avec l'arbre moteur.
Il est possible d'utiliser une clé de serrage sur les surfaces de serrage de l'hydraulique, voir fig. 6.



TM01 2854 3804

Fig. 6

Moteur (P2) [kW]	L [mm]
0,70	120
1,15	102
1,68	66
1,85	66

Lorsque l'hydraulique et le moteur sont correctement assemblés, il ne doit y avoir aucun interstice entre l'hydraulique et le moteur.

6.3 Suppression définitive du clapet anti-retour

Si une pompe sans clapet anti-retour est requise, le clapet peut être enlevé comme ceci :

1. Couper les pattes du guide du clapet en utilisant une pince ou un outil similaire, voir fig. 7.
2. Tourner la pompe sens dessus dessous.
3. Contrôler que toutes les pièces libres tombent de la pompe.

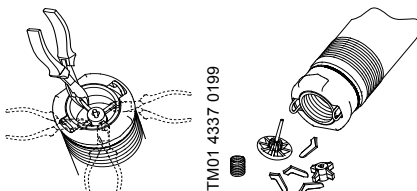


Fig. 7

TM01 4337 0199

TM01 4338 0199



Les pompes SQE-NE sont fournies sans clapet anti-retour.

Un nouveau clapet anti-retour doit être monté dans un centre de réparation agréé Grundfos.

6.4 Montage de la fiche de câble sur le moteur

AVERTISSEMENT

Choc électrique

Mort ou blessures graves



- La fiche du moteur ne doit être en aucun cas enlevée par l'utilisateur.
- La fiche de câble doit être montée ou enlevée par un réparateur agréé Grundfos ou un électricien.

La description suivante est donnée exclusivement à l'attention d'un personnel qualifié pour la maintenance. Si le câble moteur doit être remplacé, voir paragraphe [5.1 Généralités](#).

La fiche de câble fournie est graissée à l'usine. Contrôler si le graissage est bon.

Monter la fiche de câble de la manière suivante :

1. Vérifier que le type, la section et la longueur du câble sont corrects.
2. Vérifier que la tension d'alimentation sur le site est correctement reliée à la terre.
3. Vérifier que la prise du moteur est propre et sèche. S'assurer que le joint libre a été monté.
4. Pousser la fiche de câble sur la prise du moteur. Il est impossible de ne pas installer la fiche de câble correctement, voir fig. 8.

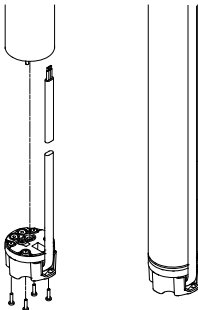


Fig. 8

5. Monter et serrer les quatre vis (1 - 1,5 Nm), voir fig. 8.

Lorsque la fiche est installée, il ne doit y avoir aucun interstice entre le moteur et la fiche de câble.

TM02 9605 3504

6.5 Montage du protège-câble

Monter le protège-câble de la manière suivante :

1. Poser le câble immergé à plat dans le protège-câble.
2. Placer le protège-câble dans la rainure située dans la fiche de câble. Les deux pattes du protège-câble doivent s'engrener avec le bord supérieur de l'enveloppe de la pompe, voir fig. 9.

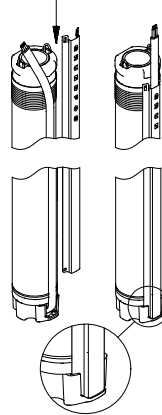


Fig. 9

3. Fixer le protège-câble à la crépine d'aspiration de la pompe à l'aide des deux vis autotaraudeuses fournies, voir fig. 10.



Fig. 10

TM02 9613 3504

TM01 4427 0299

6.6 Choix de câble immergé

Grundfos peut fournir des câbles immergés pour une large gamme d'installations.

La section choisie pour le câble immergé doit être suffisamment grande pour remplir les exigences de tension décrites dans le paragraphe [5.1 Généralités](#).

Précaution

Les valeurs dans le tableau ci-dessous sont calculées sur la base de la formule suivante :

$$q = \frac{I \times 2 \times 100 \times PF \times L \times \rho}{U \times \Delta U}$$

q = Section du câble immergé [mm²].

I = Courant maximal figurant sur le moteur [A].

PF = 1,0.

L = Longueur du câble immergé [m].

ρ = Résistance spécifique : 0,02 [$\Omega\text{mm}^2/\text{m}$].

U = Tension nominale [V].

ΔU = Chute de tension [%] = 4 %.

La chute de tension de 4 % est en accord avec CEI 3-64, série HD-384.

Le calcul donne, pour une tension d'alimentation de 240 V, les longueurs maximales de câble suivantes :

		Longueur maxi de câble [m]					
Moteur (P2)	I _N [A]	Section câble					
		1,5 mm ²	2,1 mm ² / 14 AWG	2,5 mm ²	3,3 mm ² / 12 AWG	4 mm ²	6 mm ²
[kW]							
0,7	5,2	80	112	133	176	213	320
1,15	8,4	50	69	83	109	132	198
1,68	11,2	37	52	62	82	99	149
1,85	12	35	49	58	76	92	139

6.7 Montage du câble immergé

Il est recommandé d'effectuer la jonction du câble immergé et du câble moteur à l'aide du kit d'assemblage de câbles Grundfos, type KM.

Kit d'assemblage de câbles, type KM	
Section	Code article
1,5 à 6,0 mm ²	96021473

Pour des sections de conducteur supérieures, prière de contacter Grundfos.

6.8 Raccordement à la tuyauterie

Si le montage du tuyau montant nécessite l'utilisation d'outils, comme par ex. des tenailles, pour maintenir la pompe, l'outil doit uniquement être placé sur le sommet de la pompe.

En cas d'utilisation de tuyaux plastiques, un raccord à compression doit être placé entre la pompe et la première partie de la tuyauterie.



Pour les pompes installées avec des tuyaux plastiques, le positionnement en profondeur de la pompe doit tenir compte de la dilatation des tuyaux plastiques due à la charge.

En cas d'utilisation de tuyaux à brides, les brides doivent être munies d'une encoche pour le câble immergé.

La fig. 11 montre une installation de pompe indiquant :

- L'emplacement des colliers de fixation attache-câbles, rep. 1, et la distance entre ces colliers.
- Le montage de l'élingue de sécurité, rep. 2.
- La profondeur maximale d'installation sous le niveau statique de l'eau.

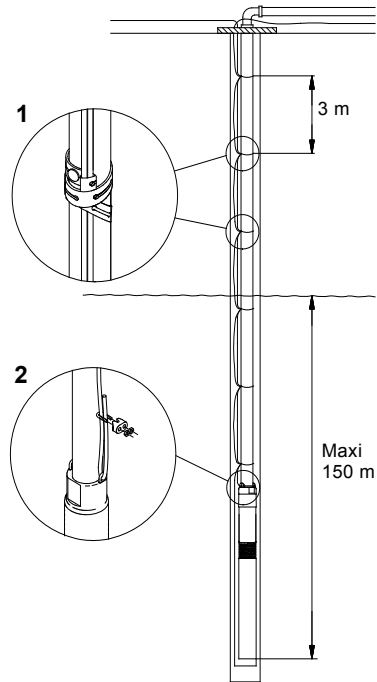


Fig. 11

6.8.1 Colliers de fixation attache-câbles

Des colliers de fixation attache-câbles doivent être utilisés tous les 3 m, voir fig. 11.

En cas d'utilisation de tuyaux plastiques, prévoir un décollement du câble immergé entre chaque fixation de câble en raison de la dilatation des tuyaux plastiques due à la charge.

En cas d'utilisation de tuyaux à brides, placer également une fixation au-dessus et en-dessous de chaque assemblage par bride.

TM01 0480 4397

6.8.2 Profondeurs d'installation

La profondeur **maximale** d'installation sous le niveau statique de l'eau : 150 mètres, voir fig. 11.

La profondeur **minimale** d'installation sous le niveau dynamique de l'eau :

- **Installation verticale :**
Pendant le démarrage puis le fonctionnement, la pompe doit toujours être complètement immergée dans l'eau.
- **Installation horizontale :**
La pompe doit être installée et fonctionner à au moins 0,5 m en dessous du niveau dynamique de l'eau.
Si la pompe risque d'être recouverte par la boue, celle-ci doit toujours être montée dans une chemise de refroidissement.

6.8.3 Descente de la pompe

Il est recommandé de fixer la pompe à l'aide d'une élingue de sécurité non tendue, voir fig. 11, rep. 2. Donnez suffisamment de mou à l'élingue de sécurité pour qu'elle soit détendue puis la fixer à la tête de forage à l'aide de colliers.



L'élingue de sécurité ne doit pas être utilisée pour retirer du forage la pompe avec la tuyauterie.



Ne pas descendre ou relever la pompe par le câble moteur.

7. Démarrage

Vérifier que le forage est capable de fournir la quantité d'eau minimum correspondant au débit de la pompe.

La pompe doit seulement être démarrée lorsqu'elle est entièrement immergée dans le liquide à pomper. Démarrer la pompe et ne l'arrêter que lorsque le liquide pompé est totalement clair ; sinon, les pièces de la pompe et le clapet anti-retour risquent d'être obstrués.

8. Fonctionnement

8.1 Débit minimum

Pour assurer le refroidissement nécessaire du moteur, le rendement de la pompe ne doit pas être réglé sur une valeur inférieure à 50 l/h.

Si le débit chute brusquement, il est possible que la pompe aspire plus d'eau que le forage n'est capable d'en fournir. Il faut alors arrêter la pompe et remédier au défaut.



La protection contre la marche à sec de la pompe est seulement efficace dans la plage de fonctionnement recommandée de la pompe.

8.2 Sélection du réservoir à diaphragme et réglage de la pression de prégonflage et du contacteur manométrique

AVERTISSEMENT



Système sous pression

Mort ou blessures graves

- L'installation doit être conçue pour la pression maxi de la pompe.

Comme la pompe est équipée d'un démarreur progressif provoquant un temps de démarrage de 2 secondes, la pression au contacteur manométrique et dans le réservoir, pendant la phase de démarrage, est plus faible que la pression d'enclenchement réglée au contacteur manométrique (P_{encl}). Cette pression plus basse est appelée pression minimum (P_{min}).

P_{min} est égale à la pression minimum souhaitée au robinet le plus haut + la hauteur géométrique et les pertes de charge dans les tuyauteries, en partant du contacteur manométrique et du réservoir jusqu'au robinet le plus haut ($P_{min} = B + C$), voir fig. 12.

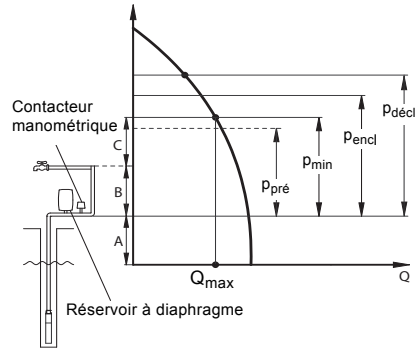


Fig. 12

- A : Hauteur géométrique + pertes de charge du niveau dynamique de l'eau jusqu'au réservoir.
- B : Hauteur géométrique + pertes de charge du réservoir jusqu'au robinet le plus haut.
- C : Pression minimum au robinet le plus haut.



S'assurer que la pompe sélectionnée peut fournir une pression plus élevée que la $P_{décl} + A$.

- $P_{pré}$: Pression de prégonflage du réservoir à diaphragme.
- P_{min} : Pression minimum désirée.
- P_{encl} : Pression d'enclenchement au contacteur manométrique.
- $P_{décl}$: Pression de déclenchement au contacteur manométrique.
- Q_{max} : Débit maximum sous une pression P_{min} .

TM00 6445 3795

8.3 Surcharge de pression au niveau du forage

Pour assurer la protection contre la surpression, installer une vanne de décharge de pression en aval de la tête du forage. Le point de consigne de la vanne de décharge doit être au moins 30 psi au-dessus du réglage de la pression.

Si vous installez une vanne de décharge, il est recommandé de la raccorder à un point de purge approprié.

En utilisant p_{\min} et Q_{\max} , la capacité **minimum** du réservoir à diaphragme, les réglages de la pression de prégonflage et du contacteur manométrique peuvent être trouvés dans le tableau ci-dessous :

Exemple :

$p_{\min} = 35$ mCE, $Q_{\max} = 2,5$ m³/h.

En partant de ces informations, les valeurs suivantes sont trouvées dans le tableau :

Capacité **minimum** du réservoir à diaphragme = 33 litres.

$p_{\text{pré}} = 31,5$ mCE.

$p_{\text{encl}} = 36$ mCE.

$p_{\text{décl}} = 50$ mCE.

P_{\min} [mCE]	Q_{\max} [m ³ /h]																$P_{\text{pré}}$ [mCE]	P_{encl} [mCE]	$P_{\text{décl}}$ [mCE]		
	0,6	0,8	1	1,2	1,5	2	2,5	3	3,5	4	4,5	5	5,5	6	6,5	7				7,5	8
Capacité du réservoir à diaphragme [litres]																					
25	8	8	18	18	18	18	24	33	33	50	50	50	50	80	80	80	80	80	22,5	26	40
30	8	8	18	18	18	24	33	33	50	50	50	50	80	80	80	80	80		27	31	45
35	8	18	18	18	18	24	33	33	50	50	50	80	80	80	80	80			31,5	36	50
40	8	18	18	18	18	24	33	50	50	50	80	80	80	80	80				36	41	55
45	8	18	18	18	24	33	33	50	50	50	80	80	80	80					40,5	46	60
50	8	18	18	18	24	33	50	50	50	80	80	80	80						45	51	65
55	18	18	18	18	24	33	50	50	50	80	80	80							49,5	56	70
60	18	18	18	18	24	33	50	50	80	80	80	80							54	61	75
65	18	18	18	24	24	33	50	50	80	80	80	80							58,5	66	80

1 mCE = 0,098 bar.

8.4 Protection intégrée

Le moteur comporte une unité électronique intégrée qui le protège dans différentes situations.

En cas de surcharge, la protection intégrée contre la surcharge arrête la pompe pendant 5 minutes.

Après ce délai, la pompe tente de redémarrer.

Si la pompe a été arrêtée à cause d'une marche à sec, celle-ci redémarrera automatiquement après 5 minutes.

Si la pompe est redémarrée et que le forage est vide, la pompe s'arrête après 30 sec.

Remise à zéro de la pompe : Couper la tension d'alimentation pendant 1 minute.

Le moteur est protégé en cas de :

- fonctionnement à sec,
- crêtes de tension (jusque 6000 V),
Une protection externe contre la foudre est nécessaire dans les endroits sensibles à la foudre.
- surtension,
- sous-tension,
- surcharge et,
- température trop élevée.

Pompes SQE/Moteurs MSE 3



Par l'intermédiaire du CU 300 ou CU 301, la limite d'arrêt de marche à sec peut être réglée pour atteindre l'application réelle.

9. Maintenance et réparation

Les pompes ne nécessitent normalement aucune maintenance.

L'apparition de dépôts et d'usure est possible.

Grundfos fournit des kits et des outils pour la maintenance des pompes.

Le manuel de maintenance de Grundfos est disponible sur demande.

Les pompes peuvent être réparées dans un SAV Grundfos.

9.1 Pompes contaminées



Si la pompe a été utilisée pour un liquide dangereux pour la santé ou toxique, la pompe est classée comme contaminée.

Si Grundfos doit effectuer la réparation d'une telle pompe, il faut contacter Grundfos *avant* de retourner la pompe afin d'indiquer quel liquide a été pompé, etc. Dans le cas contraire, Grundfos peut refuser de recevoir et de réparer la pompe.

Par ailleurs, pour toute demande de réparation, quel que soit l'endroit, il convient de fournir des renseignements détaillés sur le liquide pompé, lorsque la pompe a été utilisée pour des liquides dangereux pour la santé ou toxiques.

SQE-NE : Seules les pompes certifiées non contaminées, c'est-à-dire ne contenant pas de substances dangereuses et/ou toxiques, peuvent être réparées dans un SAV Grundfos.

Pour la sécurité du travail et de l'environnement, une déclaration de sécurité indiquant que la pompe est propre est exigée.

Grundfos doit recevoir cette déclaration de sécurité avant la pompe. Dans le cas contraire, Grundfos refusera de recevoir et de réparer la pompe.

Les frais d'envoi de la pompe chez Grundfos seront pris en charge par le client.

10. Tableau de recherche des pannes

PRÉCAUTIONS

Choc électrique



Accident corporel mineur ou modéré

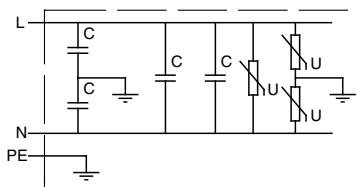
- Avant toute intervention sur la pompe/le moteur, s'assurer que l'alimentation électrique a été coupée et qu'elle ne risque pas d'être branchée accidentellement.

Défauts	Causes	Remèdes
1. La pompe ne fonctionne pas.	a) Les fusibles de l'installation électrique ont sauté.	Remplacer les fusibles. Si les nouveaux fusibles sautent, vérifier l'installation électrique et le câble immergé.
	b) Le disjoncteur différentiel ou le coupe-circuit sont déclenchés.	Réenclencher le disjoncteur différentiel ou le coupe-circuit.
	c) Pas d'électricité.	Contacteur l'EDF.
	d) La protection moteur est déclenchée à cause d'une surcharge.	Vérifier si le moteur ou la pompe est bloqué.
	e) La pompe/le câble immergé est défectueux.	Réparer/remplacer la pompe/le câble.
	f) Présence de surtension ou de sous-tension.	Vérifier la tension d'alimentation.
2. La pompe tourne mais ne débite pas d'eau.	a) La vanne de refoulement est fermée.	Ouvrir la vanne.
	b) Pas d'eau ou un niveau d'eau trop bas dans le forage.	Voir point 3 a).
	c) Le clapet anti-retour est bloqué dans sa position fermée.	Lever la pompe et nettoyer ou remplacer le clapet anti-retour.
	d) La crépine d'aspiration est bouchée.	Lever la pompe et nettoyer la crépine d'aspiration.
	e) La pompe est défectueuse.	Réparer/remplacer la pompe.
3. La pompe fonctionne à débit réduit.	a) L'abaissement de la nappe est plus important que prévu.	Augmenter la profondeur d'immersion de la pompe, réduire le rendement de la pompe ou remplacer la pompe par un modèle de débit inférieur.
	b) Les vannes dans le tuyau de refoulement sont partiellement fermées ou bloquées.	Contrôler et nettoyer/remplacer les vannes, si nécessaire.
	c) Le tuyau de refoulement est partiellement bouché par des impuretés (ocre).	Nettoyer/remplacer le tuyau de refoulement.
	d) Le clapet anti-retour de la pompe est partiellement bloqué.	Lever la pompe et nettoyer/remplacer le clapet anti-retour.
	e) La pompe et le tuyau montant sont partiellement bouchés par des impuretés (ocre).	Lever la pompe. Contrôler et nettoyer ou remplacer si nécessaire la pompe. Nettoyer les tuyaux.
	f) La pompe est défectueuse.	Réparer/remplacer la pompe.
	g) Fuite de la tuyauterie.	Contrôler et réparer les tuyaux.
	h) Le tuyau montant est défectueux.	Remplacer le tuyau montant.
	i) Présence de sous-tension.	Contrôler la tension d'alimentation.

Défauts	Causes	Remèdes
4. Nombre de démarrages/arrêts trop fréquents.	a) La pression différentielle au contacteur manométrique entre le démarrage et l'arrêt est trop faible.	Augmenter la pression différentielle. Cependant, la pression d'arrêt ne doit pas dépasser la pression de fonctionnement de l'hydrophore et la pression de démarrage doit être suffisamment élevée afin d'assurer une alimentation suffisante en eau.
	b) Le contrôle automatique du niveau d'eau ou les interrupteurs de niveau dans le réservoir ne sont pas installés correctement.	Régler la distance entre les électrodes/les interrupteurs de niveau pour assurer un temps convenable entre le déclenchement et l'enclenchement de la pompe. Voir les notices d'installation et de fonctionnement des appareils automatiques utilisés. Si les intervalles de temps entre marche/arrêt ne peuvent pas être changés par des commandes automatiques, le débit de la pompe peut éventuellement être réduit par étranglement de la vanne de refoulement.
	c) Le clapet anti-retour fuit ou reste bloqué en position demi-ouverte.	Lever la pompe et nettoyer ou remplacer le clapet anti-retour.
	d) La tension d'alimentation est instable.	Contrôler la tension d'alimentation.
	e) La température du moteur est trop élevée.	Contrôler la température de l'eau.

10.1 Mesure de la résistance d'isolement

La mesure de la résistance d'isolement d'une installation incorporant des pompes SQ/SQE n'est pas autorisée, dans la mesure où les composants électroniques intégrés peuvent être endommagés, voir fig. 13.



TMM02 0689 5000

Fig. 13

11. Contrôle de l'alimentation électrique

AVERTISSEMENT

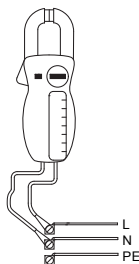
Choc électrique

Mort ou blessures graves



- Avant toute intervention sur la pompe/le moteur, s'assurer que l'alimentation électrique a été coupée et qu'elle ne risque pas d'être branchée accidentellement.

1. Tension d'alimentation



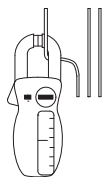
TM00 1371 4904

Mesurer la tension (RMS) entre phase et neutre. Connecter le voltmètre aux bornes au point de connexion.

La tension doit, lorsque le moteur est chargé, être comprise dans l'intervalle indiqué dans le paragraphe 5. *Branchement électrique*.

Une grande variation de la tension d'alimentation signifie une mauvaise distribution d'électricité et il faut arrêter la pompe jusqu'à ce que le défaut soit corrigé.

2. Consommation de courant



TM00 1372 5082

Mesurer l'intensité (RMS) pendant que la pompe est en marche à une pression constante (si possible à un débit où le moteur est le plus chargé).

Intensité maximale, voir la plaque signalétique.

Si l'intensité excède l'intensité à pleine charge, les défauts suivants sont possibles :

- Mauvais contact au niveau des conducteurs, éventuellement dans la jonction des câbles.
- Tension d'alimentation trop faible, voir point 1.

12. Environnement

Lors de la manipulation, du fonctionnement, du stockage et du transport, la réglementation en vigueur en tout temps en matière d'environnement, concernant l'usage de substances dangereuses, doit être respectée.

AVERTISSEMENT

Substance corrosive

Mort ou blessures graves



- Lorsque la pompe est mise hors service, il faut s'assurer de l'absence de résidus de substances éventuellement nuisibles dans la pompe/le moteur et le tuyau montant qui pourraient présenter un danger pour l'Homme ou l'environnement.

En cas de doute, contacter Grundfos ou les autorités locales.

13. Mise au rebut

Ce produit ou des parties de celui-ci doit être mis au rebut tout en préservant l'environnement :

1. Utiliser le service local public ou privé de collecte des déchets.
2. Si ce n'est pas possible, envoyer ce produit à Grundfos ou au réparateur agréé Grundfos le plus proche.

Nous nous réservons tout droit de modifications.

Ελληνικά (GR) Οδηγίες εγκατάστασης και λειτουργίας

Μετάφραση της πρωτότυπης Αγγλικής έκδοσης

ΠΕΡΙΕΧΟΜΕΝΑ

	Σελίδα
1. Σύμβολα που χρησιμοποιούνται στο παρόν έντυπο	140
2. Γενικά	141
2.1 Εφαρμογές	141
3. Τεχνικά στοιχεία	142
3.1 Αποθήκευση	142
3.2 Στάθμη ηχητικής πίεσης	142
4. Προετοιμασία	142
4.1 Συμπλήρωση του υγρού του κινητήρα	142
4.2 Προυποθέσεις τοποθέτησης	143
4.3 Θερμοκρασία υγρού / ψύξη	143
5. Ηλεκτρική σύνδεση	144
5.1 Γενικά	144
5.2 Προστασία κινητήρα	144
5.3 Σύνδεση του κινητήρα	144
6. Εγκατάσταση	145
6.1 Γενικά	145
6.2 Συναρμολόγηση αντλίας - κινητήρα	145
6.3 Αφαίρεση της βαλβίδας αντεπιστροφής	145
6.4 Τοποθέτηση του καλωδίου τροφοδοσίας στον κινητήρα	146
6.5 Τοποθέτηση του προστατευτικού καλύμματος καλωδίου	146
6.6 Διατομή καλωδίου	147
6.7 Τοποθέτηση του υποβρύχιου καλωδίου σύνδεσης	148
6.8 Σύνδεση σωληνώσεων	148
7. Εκκίνηση	149
8. Λειτουργία	149
8.1 Ελάχιστη παροχή	149
8.2 Επιλογή πιεστικού δοχείου μεμβράνης και ρύθμιση πίεσης του αερίου και του πιεζοστάτη	149
8.4 Ενσωματωμένη προστασία	151
9. Συντήρηση και τεχνική υποστήριξη	151
9.1 Μολυσμένες αντλίες	151
10. Πίνακας εύρεσης βλαβών	152
10.1 Μέτρηση αντίστασης μόνωσης	153
11. Έλεγχος της ηλεκτρικής παροχής	154
12. Περιβάλλον	154
13. Απόρριψη	154



Πριν την εγκατάσταση, διαβάστε το παρόν έγγραφο. Η εγκατάσταση και η λειτουργία πρέπει να συμμορφώνονται με τους τοπικούς κανονισμούς και τους αποδεκτούς κώδικες ορθής πρακτικής.

Αυτή η συσκευή μπορεί να χρησιμοποιηθεί από παιδιά ηλικίας 8 ετών και πάνω και από άτομα με μειωμένες σωματικές, αισθητηριακές ή πνευματικές ικανότητες ή χωρίς την ανάλογη εμπειρία και γνώση, με την προϋπόθεση ότι βρίσκονται υπό την επίβλεψη άλλου ατόμου ή ότι έχουν λάβει οδηγίες σχετικά με την ασφαλή χρήση της συσκευής και κατανοούν τους ενεχόμενους κινδύνους.



Τα παιδιά δεν πρέπει να παίζουν με τη συσκευή. Ο καθαρισμός και η συντήρηση από παιδιά δεν επιτρέπεται χωρίς επίτηρηση.

1. Σύμβολα που χρησιμοποιούνται στο παρόν έντυπο

ΚΙΝΔΥΝΟΣ



Υποδεικνύει μία επικίνδυνη κατάσταση η οποία, εάν δεν αποφευχθεί, θα οδηγήσει σε θάνατο ή σοβαρό τραυματισμό ατόμων.

ΠΡΟΕΙΔΟΠΟΪΣΗ



Υποδεικνύει μία επικίνδυνη κατάσταση η οποία, εάν δεν αποφευχθεί, θα μπορούσε να οδηγήσει σε θάνατο ή σοβαρό τραυματισμό ατόμων.

ΠΡΟΣΟΧΉ



Υποδεικνύει μία επικίνδυνη κατάσταση η οποία, εάν δεν αποφευχθεί, θα μπορούσε να οδηγήσει σε μικρό ή μέτριο τραυματισμό ατόμων.

Το κείμενο που συνοδεύει τα τρία σύμβολα κινδύνου, ΚΙΝΔΥΝΟΣ, ΠΡΟΕΙΔΟΠΟΙΗΣΗ και ΠΡΟΣΟΧΗ, θα δομείται με τον εξής τρόπο:

ΛΕΞΗ-ΣΗΜΑ



Περιγραφή κινδύνου

Επακόλουθο σε περίπτωση που αγνοηθεί η προειδοποίηση.
- Ενέργεια προς αποφυγή του κινδύνου.



Ένας μπλε ή γκρι κύκλος με ένα λευκό σύμβολο υποδεικνύει την ανάγκη λήψης μιας ενέργειας.



Ένας κόκκινος ή γκρι κύκλος με μία διαγώνια ράβδο, πιθανώς μαζί με ένα μαύρο σύμβολο, υποδεικνύει ότι δεν πρέπει να προβείτε στην εκτέλεση μίας ενέργειας ή ότι πρέπει να σταματήσετε την εκτέλεσή της.



Σε περίπτωση μη τήρησης αυτών των οδηγιών, ενδέχεται να προκληθεί δυσλειτουργία ή βλάβη στον εξοπλισμό.



Συμβουλές για διευκόλυνση των εργασιών.

2. Γενικά

ΠΡΟΕΙΔΟΠΟΙΗΣΗ



Ηλεκτροπληξία

Θάνατος ή σοβαρός τραυματισμός ατόμων
- Η αντλία δεν πρέπει να χρησιμοποιείται όταν υπάρχουν άτομα μέσα στο νερό.

Στη σελίδα 412 του παρόντος θα βρείτε αντίγραφα των πινακίδων της αντλίας και του κινητήρα.

Πριν κατεβάσετε την αντλία SQ/SQE στη γέωτρηση, θα πρέπει να συμπληρώσετε τη σελίδα αυτή με τα σχετικά στοιχεία της πινακίδας. Φυλάξτε τις παρούσες οδηγίες εγκατάστασης και λειτουργίας κοντά στο χώρο της εγκατάστασης σε ένα μέρος χωρίς υγρασία για ενδεχόμενη μελλοντική αναφορά.

2.1 Εφαρμογές

Οι αντλίες **SQ** και **SQE** έχουν σχεδιαστεί για την άντληση λεπτόρρευστων, καθαρών, μη διαβρωτικών, μη εκρηκτικών υγρών που δεν περιέχουν στερεά σωματίδια ή ίνες.

Συνήθεις εφαρμογές:

- Παροχή υπόγειων υδάτων για
 - ιδιωτικούς οικισμούς
 - μικρές εγκαταστάσεις ύδρευσης
 - αρδευτικά συστήματα σε θερμοκήπια.
- Μεταφορά υγρών σε δεξαμενές.
- Ανύψωση πίεσης.

Οι αντλίες **SQE-NE** έχουν σχεδιαστεί για την άντληση λεπτόρρευστων, καθαρών, μη εκρηκτικών υγρών που δεν περιέχουν στερεά σωματίδια ή ίνες.

Αυτές οι αντλίες είναι κατάλληλες για την άντληση μολυσμένων υπόγειων υδάτων ή υπόγειων υδάτων που περιέχουν υδρογονάνθρακες, π.χ. από:

- χωματερές
- αποθήκες χημικών
- βιομηχανικές περιοχές
- πρατήρια πετρελαίου και βενζίνης
- εφαρμογές προστασίας του περιβάλλοντος.

Οι αντλίες **SQE-NE** μπορούν επίσης να χρησιμοποιηθούν για δειγματοληψία και παρακολούθηση και μέχρι έναν ορισμένο βαθμό να ενσωματωθούν σε συστήματα επεξεργασίας νερού.

Πληροφορίες για όλους τους τύπους:

Η μέγιστη περιεκτικότητα άμμου στο νερό δεν πρέπει να ξεπερνά τα 50 g/m³. Μεγαλύτερη περιεκτικότητα άμμου θα ελαττώσει τη ζωή της αντλίας και θα αυξήσει τον κίνδυνο μπλοκαρίσματος.



Εάν πρόκειται να αντληθούν υγρά με ιξώδες μεγαλύτερο από αυτό του νερού, παρακαλώ απευθυνθείτε στην Grundfos.

Τιμές pH:

SQ και SQE: 5 έως 9.

SQE-NE: Παρακαλώ απευθυνθείτε στην Grundfos.

Θερμοκρασία υγρού:

Η θερμοκρασία του αντλούμενου υγρού δεν πρέπει να υπερβαίνει τους 35 °C.

3. Τεχνικά στοιχεία

Τάση τροφοδοσίας:

1 x 200-240 V - 10 %/+ 6 %, 50/60 Hz, PE.
Λειτουργία με γεννήτρια: Ελάχιστη προϋπόθεση είναι η ισχύς εξόδου της γεννήτριας να είναι ίση με την ισχύ του κινητήρα P₁ [kW] + 10 %.

Ρεύμα εκκίνησης:

Το ρεύμα εκκίνησης του κινητήρα είναι ίσο με τη μεγαλύτερη τιμή που φαίνεται στην πινακίδα του κινητήρα.

Συντελεστής ισχύος:

PF = 1.

Υγρό κινητήρα:

Τύπος SML 2.

Καλώδιο κινητήρα:

1,5 m, 3 x 1,5 mm², PE.

Θερμοκρασία υγρού:

Μέγιστη 35 °C.

Διάμετρος στομίου:

SQ 1, SQ 2, SQ 3: Rp 1 1/4.

SQ 5, SQ 7: Rp 1 1/2.

Εξωτερική διάμετρος αντλίας:

74 mm.

Ελάχιστη απαιτούμενη διάμετρος γεώτρησης:

76 mm.

Βάθος εγκατάστασης:

Οχι περισσότερο από 150 m κάτω από την επιφάνεια του νερού.

Βλέπε επίσης μέρος [6.8.2 Βάθος εγκατάστασης](#).

Καθαρό βάρος:

Μέγιστο 6,5 kg.

3.1 Αποθήκευση

Θερμοκρασία αποθήκευσης: -20 °C έως +60 °C.

3.1.1 Προστασία κατά του παγετού

Εάν πρόκειται να αποθηκεύσετε την αντλία μετά τη χρήση, πρέπει να αποθηκευτεί σε χώρο προστατευμένο από τον παγετό ή πρέπει να προστατευτεί από τον παγετό ή πρέπει να προστασθεί κατά του παγετού.

Ο κινητήρας δεν πρέπει να αποθηκεύεται χωρίς υγρό κινητήρα.

3.2 Στάθμη ηχητικής πίεσης

Η στάθμη ηχητικής πίεσης της αντλίας είναι μικρότερη από τις οριακές τιμές που ορίζονται στην Οδηγία του Συμβουλίου της ΕΚ 2006/42/ΕΚ σχετικά με τα μηχανήματα.

4. Προετοιμασία

Οι υποβρύχιοι κινητήρες MS 3 και MSE 3 της Grundfos διαθέτουν υδρολίπαντα έδρανα ολίσθησης. Δεν απαιτείται πρόσθετη λίπανση.

Οι υποβρύχιοι κινητήρες έχουν πληρωθεί εκ κατασκευής με ένα ειδικό υγρό κινητήρα (τύπου SML 2), το οποίο προσφέρει προστασία κατά του παγετού μέχρι και τους -20 °C ενώ εμποδίζει και την ανάπτυξη βακτηριδίων.

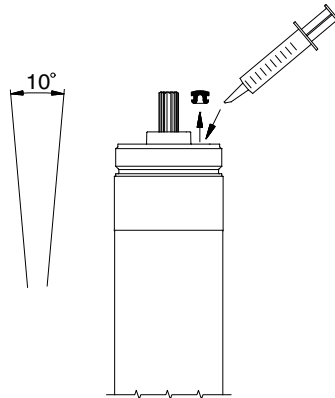
Η στάθμη του υγρού του κινητήρα είναι αποφασιστικής σημασίας για τη λειτουργική ζωή των εδράνων και κατά συνέπεια τη ζωή του κινητήρα.

4.1 Συμπλήρωση του υγρού του κινητήρα

Αν για οποιοδήποτε λόγο έχει αδειάσει ο κινητήρας από το υγρό του, ξαναγεμίστε τον με το υγρό SML 2 της Grundfos.

Για να συμπληρώσετε τον κινητήρα, ακολουθήστε την παρακάτω διαδικασία:

1. Αφαιρέστε το προστατευτικό κάλυμμα καλωδίου και αφαιρέστε το τμήμα της αντλίας από τον κινητήρα.



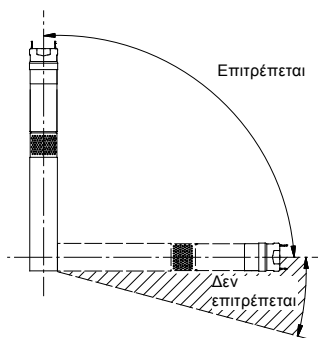
Σχ. 1

2. Τοποθετήστε τον κινητήρα κατακόρυφα με κλίση 10 ° περίπου.
3. Αφαιρέστε το πώμα πλήρωσης χρησιμοποιώντας ένα κατσαβίδι ή ένα παρεμφερές εργαλείο.
4. Εγχύστε το υγρό κινητήρα στον κινητήρα με μία σύριγγα ή κάτι παρεμφερές.
5. Για να διευκολύνετε τον αέρα, που πιθανότατα υπάρχει, να διαφύγει, κουνίστε τον κινητήρα αριστεράδεξιά.
6. Ξανατοποθετήστε το πώμα πλήρωσης και βεβαιωθείτε ότι το έχετε βιδώσει σφιχτά.
7. Συναρμολογήστε και πάλι το τμήμα της αντλίας στον κινητήρα.
8. Ξανατοποθετήστε το προστατευτικό κάλυμμα καλωδίου.

Η αντλία είναι τώρα έτοιμη για εγκατάσταση.

4.2 Προϋποθέσεις τοποθέτησης

Η αντλία είναι κατάλληλη για οριζόντια ή κατακόρυφη τοποθέτηση. Ωστόσο, ο άξονας της αντλίας δεν πρέπει ποτέ να βρίσκεται χαμηλότερα από το οριζόντιο επίπεδο, βλέπε σχήμα 2.



Σχ. 2

Εάν η αντλία πρόκειται να τοποθετηθεί οριζόντια, π.χ. μέσα σε μία δεξαμενή, και υπάρχει ο κίνδυνος να καλυφθεί από λάσπη, πρέπει να εφοδιασθεί με χιτώνιο.

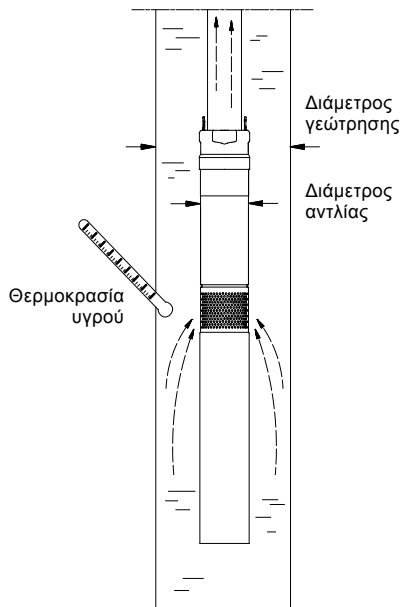
Γιά το βάθος εγκατάστασης βλέπε μέρος 6.8.2 Βάθος εγκατάστασης.

4.3 Θερμοκρασία υγρού / ψύξη

Στο σχήμα 3 απεικονίζεται μία αντλία SQ/SQE σε μια γεώτρηση. Η αντλία βρίσκεται σε λειτουργία.

Το σχήμα 3 δείχνει τα ακόλουθα:

- Διάμετρο γεώτρησης
- Διάμετρο αντλίας
- Θερμοκρασία του αντλούμενου υγρού
- Ροή γύρω από τον κινητήρα έως το φίλτρο αναρρόφησης της αντλίας.



Σχ. 3

Για να εξασφαλιστεί ικανοποιητική ψύξη του κινητήρα, η θερμοκρασία του υγρού δεν πρέπει σε καμιά περίπτωση να υπερβεί τους 35 °C.



Η διάμετρος της γεώτρησης πρέπει να είναι τουλάχιστον 76 mm (περίπου 3").

Ο κινητήρας θα πρέπει πάντα να εγκαθίσταται πάνω από το φίλτρο της γεώτρησης. Εάν χρησιμοποιήσετε εξωτερικό χιτώνιο, η αντλία μπορεί να τοποθετηθεί ελεύθερα μέσα στη γεώτρηση.



Μην αφήνετε την αντλία να λειτουργεί με κλειστή βάννα κατάθλιψης περισσότερο από 5 λεπτά. Όταν η βάννα κατάθλιψης είναι κλειστή δεν υπάρχει ροή/ψύξη και επομένως υπάρχει κίνδυνος υπερθέρμανσης αντλίας και κινητήρα.

Εάν η θερμοκρασία του αντλούμενου υγρού είναι μεγαλύτερη από την προκαθορισμένη τιμή ή οι συνθήκες λειτουργίας ξεφεύγουν από τα προκαθορισμένα όρια, η αντλία μπορεί να σταματήσει. Παρακαλούμε επικοινωνήστε με την Grundfos.

TM01 1375 4397

TM01 0518 1297

5. Ηλεκτρική σύνδεση

5.1 Γενικά

Η ηλεκτρική σύνδεση πρέπει να γίνει από επαγγελματία ηλεκτρολόγο σύμφωνα με τους τοπικούς κανονισμούς.

ΠΡΟΕΙΔΟΠΟΙΗΣΗ

Ηλεκτροπληξία

Θάνατος ή σοβαρός τραυματισμός ατόμων

- Πριν ξεκινήσετε οποιαδήποτε φύσεως εργασία στην αντλία, βεβαιωθείτε ότι η παροχή ρεύματος είναι κλειστή και ότι δεν μπορεί να ανοίξει τυχαία.
- Η αντλία πρέπει να είναι γειωμένη.
- Η αντλία πρέπει να συνδέεται στο δίκτυο μέσω ενός εξωτερικού διακόπτη δικτύου με ελάχιστο κενό επαφών 3 mm σε όλους τους πόλους.
- Αν το καλώδιο του κινητήρα είναι ελαττωματικό, θα πρέπει να αντικατασταθεί από τη Grundfos, ένα εξουσιοδοτημένο συνεργάτη ή ανάλογα εκπαιδευμένο άτομο ώστε να αποφευχθούν κίνδυνοι.



Η τάση τροφοδοσίας, το ονομαστικό μέγιστο ρεύμα και ο συντελεστής ισχύος (power factor) PF απεικονίζονται στην πινακίδα του κινητήρα.

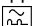
Η απαιτούμενη τάση για τους υποβρύχιους κινητήρες της Grundfos, μετρούμενη στους ακροδέκτες του κινητήρα, είναι - 10 %/+ 6 % της ονομαστικής τάσης κατά τη διάρκεια συνεχούς λειτουργίας (περιλαμβανομένων των διακυμάνσεων στην τάση τροφοδοσίας και των απωλειών στα καλώδια).

ΠΡΟΕΙΔΟΠΟΙΗΣΗ

Ηλεκτροπληξία

Θάνατος ή σοβαρός τραυματισμός ατόμων

- Εάν η αντλία είναι συνδεδεμένη σε μία ηλεκτρική εγκατάσταση όπου χρησιμοποιείται ένα ρελέ διαρροής για πρόσθετη προστασία, αυτό το ρελέ διαρροής **πρέπει** να διακόψει όταν παρουσιάζεται διαρροή ρεύματος με συνεχή συνιστώσα (DC pulsating).

Το ρελέ διαρροής **πρέπει** να έχει το ακόλουθο σύμβολο: .

Τάση τροφοδοσίας:

1 x 200-240 V - 10 %/+ 6 %, 50/60 Hz, PE.

Η κατανάλωση ρεύματος μπορεί να μετρηθεί μόνο με τη βοήθεια ενός οργάνου πραγματικής τιμής RMS. Εάν χρησιμοποιηθεί άλλο τύπου όργανο, η μετρούμενη τιμή θα διαφέρει από την πραγματική.

Στις αντλίες SQ/SQE, είναι δυνατό να μετρηθεί ένα τυπικό ρεύμα διαρροής 2,5 mA στα 230 V, 50 Hz. Το ρεύμα διαρροής είναι ανάλογο της τάσης τροφοδοσίας.

Οι αντλίες SQ και SQE-NE μπορούν να συνδεθούν σε ένα πίνακα ελέγχου, τύπου CU 300 ή CU 301.

Η αντλία δεν πρέπει ποτέ να συνδέεται σε έναν πυκνωτή ή σε οποιοδήποτε άλλο είδος πίνακα ελέγχου εκτός του CU 300 ή CU 301.

Η αντλία δεν πρέπει ποτέ να συνδέεται σε έναν εξωτερικό μετατροπέα συχνότητας.



5.2 Προστασία κινητήρα

Ο κινητήρας διαθέτει προστασία κατά της υπερθέρμανσης και δεν χρειάζεται πρόσθετη προστασία κινητήρα.

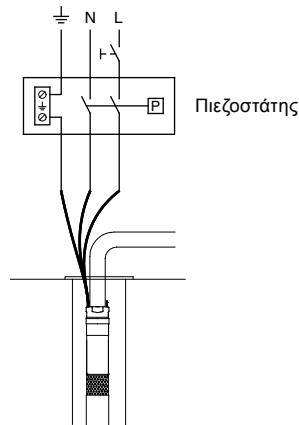
5.3 Σύνδεση του κινητήρα

Ο κινητήρας διαθέτει εκκινήτη και μπορεί, κατά συνέπεια, να συνδεθεί απευθείας στο δίκτυο.

Η εκκίνηση/παύση της αντλίας γίνεται μέσω ενός πιεζοστάτη, βλπέτε σχήμα 4.



Ο πιεζοστάτης θα πρέπει να είναι κατάλληλος για το μέγιστο ρεύμα του συγκεκριμένου τύπου αντλίας.



Σχ. 4

6. Εγκατάσταση

6.1 Γενικά

ΠΡΟΕΙΔΟΠΟΙΗΣΗ

Ηλεκτροπληξία

Θάνατος ή σοβαρός τραυματισμός ατόμων

- Πριν ξεκινήσετε οποιαδήποτε φύσεως εργασία στην αντλία/κινητήρα, βεβαιωθείτε ότι η παροχή ρεύματος είναι κλειστή και ότι δεν μπορεί να ανοίξει τυχαία.



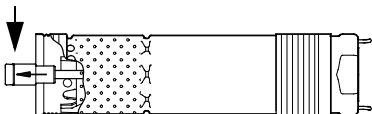
Η μη συμμόρφωση με αυτές τις οδηγίες ασφαλείας μπορεί να προκαλέσει δυσλειτουργία ή βλάβη του προϊόντος!

Η ξεχωριστή πινακίδα στοιχείων που συνοδεύει την αντλία πρέπει να τοποθετηθεί κοντά στο χώρο εγκατάστασης.

6.2 Συναρμολόγηση αντλίας - κινητήρα

Για να συναρμολογήσετε το τμήμα της αντλίας στον κινητήρα, ακολουθήστε την παρακάτω διαδικασία:

1. Τοποθετήστε τον κινητήρα οριζόντια σε μία μέγερη και σφίγγετε, βλέπε σχήμα 6.
2. Τραβήξτε έξω τον άξονα της αντλίας στη θέση που φαίνεται στο σχήμα 5.



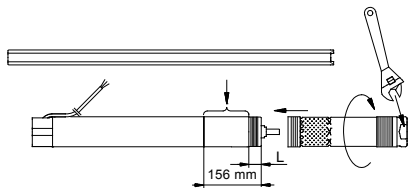
TM02 8425 5203

Σχ. 5

3. Γρασαίρετε το άκρο του άξονα του κινητήρα με το γράσο που παρέχεται μαζί με τον κινητήρα.
4. Βιδώστε το τμήμα της αντλίας στον κινητήρα (55 Nm).

Προσοχή: Ο άξονας της αντλίας πρέπει να ταιριάζει με τον άξονα του κινητήρα.

Μπορείτε να χρησιμοποιήσετε ένα γαλλικό κλειδί στο τμήμα της αντλίας, βλέπε σχήμα 6.



TM01 2854 3804

Σχ. 6

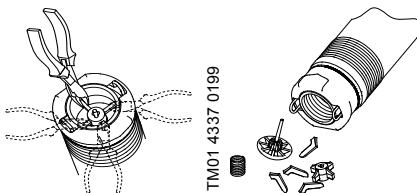
Κινητήρας (P2) [kW]	L [mm]
0,70	120
1,15	102
1,68	66
1,85	66

Όταν συναρμολογήσετε σωστά το τμήμα της αντλίας με τον κινητήρα, δεν θα πρέπει να υπάρχει διάκενο μεταξύ τους.

6.3 Αφαίρεση της βαλβίδας αντεπιστροφής

Αν απαιτείται αντλία χωρίς βαλβίδα αντεπιστροφής, η βαλβίδα μπορεί να αφαιρεθεί ως ακολούθως:

1. Κόψτε τα πόδια του οδηγού βαλβίδος με έναν κόφτη ή παρόμοιο εργαλείο, βλέπε σχήμα 7.
2. Γυρίστε ανάποδα την αντλία.
3. Βεβαιωθείτε ότι όλα τα ελεύθερα κομμάτια έχουν πέσει από την αντλία.



TM01 4337 0199

TM01 4338 0199

Σχ. 7



Η SQE-NE παραδίδεται χωρίς βαλβίδα αντεπιστροφής.

Η τοποθέτηση της βαλβίδας αντεπιστροφής μπορεί να γίνει στο σέρβις της Grundfos.

6.4 Τοποθέτηση του καλωδίου τροφοδοσίας στον κινητήρα

ΠΡΟΕΙΔΟΠΟΙΗΣΗ

Ηλεκτροπληξία

Θάνατος ή σοβαρός τραυματισμός ατόμων



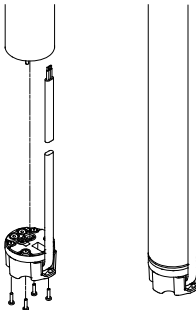
- Σε καμία περίπτωση δεν πρέπει ο χρήστης να αφαιρείσει το φως του κινητήρα.
- Το καλώδιο με το φως του θα πρέπει να τοποθετείται ή να αφαιρείται μόνο από άτομα εξουσιοδοτημένα ή εκπαιδευμένα από τη Grundfos.

Η ακόλουθη περιγραφή απευθύνεται αποκλειστικά στο προσωπικό του service. Αν πρόκειται να αντικατασταθεί το καλώδιο του κινητήρα, βλέπε μέρος **5.1 Γενικά**.

Το καλώδιο τροφοδοσίας που συνοδεύει τον κινητήρα έχει λιπανθεί εκ κατασκευής. Ελέγξτε ότι έχει λιπανθεί επαρκώς.

Για να τοποθετήσετε το καλώδιο τροφοδοσίας ακολουθήστε την παρακάτω διαδικασία:

1. Βεβαιωθείτε ότι το καλώδιο είναι σωστού τύπου, διατομής και μήκους.
2. Βεβαιωθείτε ότι το δίκτυο είναι σωστά γειωμένο.
3. Βεβαιωθείτε ότι η θηλυκή υποδοχή του κινητήρα είναι καθαρή και στεγνή.
Βεβαιωθείτε ότι έχει τοποθετηθεί η ελεύθερη τσιμούχα.
4. Πιέστε το φως το καλωδίου μέσα στην υποδοχή του κινητήρα. Το φως δεν μπορεί να μπει λάθος, βλέπε σχήμα **8**.



Σχ. 8

5. Τοποθετήστε και σφίξτε τις τέσσερις βίδες (1 - 1,5 Nm), βλέπε σχήμα **8**.

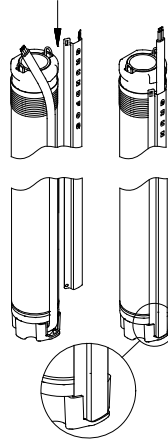
Όταν τοποθετήσετε το φως, δεν θα πρέπει να υπάρχει διάκενο μεταξύ του κινητήρα και του φως.

TM02 9605 3504

6.5 Τοποθέτηση του προστατευτικού καλύμματος καλωδίου

Για να τοποθετήσετε το προστατευτικό κάλυμμα καλωδίου, ακολουθήστε την παρακάτω διαδικασία:

1. Βεβαιωθείτε ότι το υποβρύχιο καλώδιο σύνδεσης εκτείνεται ομοιόμορφα στο εσωτερικό του προστατευτικού καλύμματος καλωδίου.
2. Τοποθετήστε τον προφυλακτήρα καλωδίου στην εγκοπή του φως του καλωδίου. Τα δύο πτερύγια του προστατευτικού καλύμματος καλωδίου πρέπει να θηλυκώσουν στο άνω άκρο του χιτωνίου της αντλίας, βλέπε σχήμα **9**.



Σχ. 9

3. Στερεώστε το προστατευτικό κάλυμμα καλωδίου στο φίλτρο αναρρόφησης της αντλίας με τις δύο αυτοασφαλιζόμενες βίδες που το συνοδεύουν, βλέπε σχήμα **10**.



Σχ. 10

TM02 9613 3504

TM01 4427 0299

6.6 Διατομή καλωδίου

Μπορείτε να προμηθευτείτε από τη Grundfos υποβρύχια καλώδια σύνδεσης για οποιοδήποτε τύπο εγκατάστασης.

Προσοχή Η διατομή του υποβρύχιου καλωδίου σύνδεσης πρέπει να αρκετά μεγάλη ώστε να πληροί τις απαιτήσεις τάσης που ορίζονται στην παράγραφο **5.1 Γενικά**.

Οι τιμές του παρακάτω πίνακα υπολογίζονται με τη βοήθεια του ακόλουθου τύπου:

$$q = \frac{I \times 2 \times 100 \times PF \times L \times \rho}{U \times \Delta U}$$

q = Διατομή υποβρύχιου καλωδίου σύνδεσης [mm²].

I = Ονομαστικό μέγιστο ρεύμα κινητήρα [A].

PF = 1,0.

L = Μήκος υποβρύχιου καλωδίου σύνδεσης [m].

ρ = Ειδική αντίσταση: 0,02 [Ωmm²/m].

U = Ονομαστική τάση [V].

ΔU = Πτώση τάσης [%] = 4 %.

Η πτώση τάσης της τάξης του 4 % είναι σύμφωνα με την IEC 3-64, Σειρά HD-384.

Ο υπολογισμός μας δίνει τα ακόλουθα μέγιστα μήκη καλωδίου με τάση τροφοδοσίας 240 V:

		Μέγιστο μήκος καλωδίου [m]					
Κινητήρας (P2)	I _N [A]	Διατομή καλωδίου					
		1,5 mm ²	2,1 mm ² / 14 AWG	2,5 mm ²	3,3 mm ² / 12 AWG	4 mm ²	6 mm ²
0,7	5,2	80	112	133	176	213	320
1,15	8,4	50	69	83	109	132	198
1,68	11,2	37	52	62	82	99	149
1,85	12	35	49	58	76	92	139

6.7 Τοποθέτηση του υποβρύχιου καλωδίου σύνδεσης

Συνιστάται να συνδέετε το υποβρύχιο καλώδιο με το καλώδιο του κινητήρα χρησιμοποιώντας υλικά σύνδεσης καλωδίων Grundfos, τύπου KM.

Υλικά σύνδεσης καλωδίων, τύπου KM	
Διατομή καλωδίου	Κωδικός
1,5 - 6,0 mm ²	96021473

Για μεγαλύτερες διατομές, επικοινωνήστε με την Grundfos.

6.8 Σύνδεση σωληνώσεων

Εάν χρησιμοποιήσετε κάποιο εργαλείο, π.χ. κλειδί σωλήνων με αλυσίδα, για να συνδέσετε το σωλήνα κατάθλιψης στην αντλία, τότε πρέπει να πιάσετε την αντλία μόνον από το κέλυφος κατάθλιψης.

Όταν συνδέετε πλαστικούς σωλήνες, θα πρέπει να χρησιμοποιείτε μία σύνδεση συμπίεσης μεταξύ της αντλίας και του πρώτου τμήματος του σωλήνα.

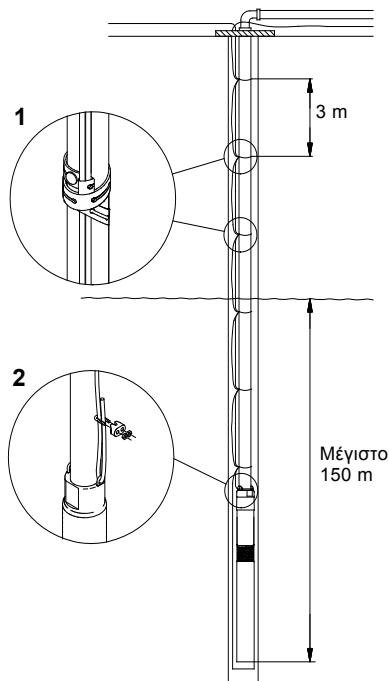


Όταν αποφασίζετε για το βάθος τοποθέτησης της αντλίας σε εγκατάσταση με πλαστικούς σωλήνες, θα πρέπει να λάβετε υπόψη σας την επιμήκυνση των σωλήνων αφού γεμίσουν με υγρό.

Όταν χρησιμοποιείτε σωλήνες με φλάντζες, οι φλάντζες θα πρέπει να διαθέτουν μία εγκοπή για να περνάει το υποβρύχιο καλώδιο τροφοδοσίας του νερού, εάν υπάρχει.

Στο σχήμα 11 απεικονίζεται μία εγκατάσταση αντλίας με τις ακόλουθες ενδείξεις:

- θέση των στηριγμάτων καλωδίου, θέση 1, και απόσταση μεταξύ των στηριγμάτων.
- τοποθέτηση του συρματόσχοιου, θέση 2.
- μέγιστο βάθος τοποθέτησης κάτω από την στατική στάθμη του νερού.



Σχ. 11

6.8.1 Στηρίγματα καλωδίου

Τα στηρίγματα καλωδίου πρέπει να τοποθετούνται κάθε 3 m, βλέπε σχήμα 11.

Όταν συνδέετε πλαστικούς σωλήνες, θα πρέπει να αφήνετε κάποιο μικρό περιθώριο μεταξύ κάθε στηρίγματος καλωδίου γιατί οι πλαστικοί σωλήνες επιμηκύνονται όταν γεμίσουν με υγρό.

Όταν χρησιμοποιείτε σωλήνες με φλάντζες, τα στηρίγματα καλωδίου θα πρέπει να τοποθετούνται πάνω και κάτω από κάθε σύνδεση.

TM01 0480 4397

6.8.2 Βάθος εγκατάστασης

Μέγιστο βάθος εγκατάστασης κάτω από τη στατική (αρχική) στάθμη του νερού: 150 m, βλέπε σχ. 11.

Ελάχιστο βάθος εγκατάστασης κάτω από τη δυναμική (τελική) στάθμη του νερού:

- **Κατακόρυφη τοποθέτηση:**
Κατά την εκκίνηση και τη λειτουργία, η αντλία πρέπει να είναι πάντα βυθισμένη στο νερό.
- **Οριζόντια τοποθέτηση:**
Η αντλία πρέπει να εγκαθίσταται και να λειτουργεί τουλάχιστον 0,5 m κάτω από την δυναμική στάθμη του νερού.
Αν υπάρχει κίνδυνος η αντλία να καλυφθεί από λάσπη, θα πρέπει οπωσδήποτε να εφοδιάζεται με χιτώνιο ψύξης.

6.8.3 Κατέβασμα της αντλίας στη γεώτρηση

Συνιστάται να δέσετε την αντλία με ένα χαλαρό συρματόσχοινο, βλέπε σχήμα 11, θέση 2.

Χαλαρώστε το συρματόσχοινο έτσι ώστε να μην είναι τεντωμένο και στερεώστε το στην κεφαλή της γεώτρησης με τη βοήθεια συρμάτων συγκράτησης.



Το συρματόσχοινο δεν πρέπει να χρησιμοποιείται για το τράβηγμα της αντλίας και του σωλήνα κατάθλιψης έξω από την γεώτρηση.



Μην κατεβάζετε ή ανεβάζετε την αντλία κρεμώντας την από το καλώδιο.

7. Εκκίνηση

Βεβαιωθείτε ότι η γεώτρηση μπορεί να παρέχει τουλάχιστον την ελάχιστη ποσότητα νερού που αντιστοιχεί στην απόδοση της αντλίας.

Μην εκκινήσετε την αντλία πριν βυθισθεί πλήρως στο υγρό.

Εκκινήστε την αντλία και μην τη σταματήσετε μέχρι το αντλούμενο υγρό να είναι τελείως καθαρό, γιατί διαφορετικά τα εξαρτήματα της αντλίας και η βαλβίδα αντεπιστροφής μπορεί να φράξουν.

8. Λειτουργία

8.1 Ελάχιστη παροχή

Για να εξασφαλίσετε την απαραίτητη ψύξη του κινητήρα, η παροχή της αντλίας δεν πρέπει ποτέ να ρυθμίζεται σε τιμή μικρότερη των 50 l/h.

Εάν η παροχή μειώνεται ξαφνικά, αιτία μπορεί να είναι το γεγονός ότι η αντλία αντλεί περισσότερο νερό από ό,τι μπορεί να παρέχει η γεώτρηση. Τότε πρέπει να σταματήσετε την αντλία και να διορθώσετε το σφάλμα.



Η προστασία απο ξηρή λειτουργία είναι αποτελεσματική μόνον εντός της συνιστώμενης περιοχής κανονικής λειτουργίας της αντλίας.

8.2 Επιλογή πιστικού δοχείου μεμβράνης και ρύθμιση πίεσης του αερίου και του πιεζοστάτη

ΠΡΟΕΙΔΟΠΟΙΗΣΗ

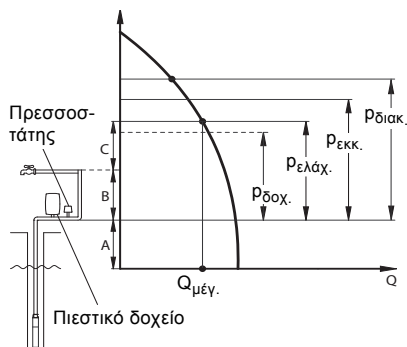


Σύστημα υπό πίεση

Θάνατος ή σοβαρός τραυματισμός ατόμων
- Η εγκατάσταση πρέπει να σχεδιασθεί γιά τη μέγιστη πίεση της αντλίας.

Επειδή η αντλία διαθέτει ενσωματωμένο σύστημα ομαλής εκκίνησης με χρόνο επιτάχυνσης 2 sec, η πίεση κατά τη φάση εκκίνησης θα πέσει χαμηλότερα από την πίεση εκκίνησης ($P_{εκκ.}$) που είναι ρυθμισμένη στον πιεζοστάτη. Αυτή η χαμηλότερη πίεση ονομάζεται ελάχιστη πίεση ($P_{ελαχ.}$).

Η $P_{ελαχ.}$ ισούται με την ελάχιστη αποδεκτή πίεση στην υψηλότερη βρύση + υψομετρική διαφορά + απώλειες τριβών σωληνώσεων από τον πιεζοστάτη και το δοχείο έως την υψηλότερη βρύση ($P_{ελαχ.} = B + C$), βλέπε σχ. 12.



Σχ. 12

- A: Ύψος + τριβές από την δυναμική στάθμη μέχρι το πιστικό δοχείο.
B: Ύψος + τριβές από το πιστικό δοχείο μέχρι την υψηλότερη βρύση.
C: Ελάχιστη πίεση στην υψηλότερη βρύση.



Βεβαιωθείτε ότι η αντλία που διαλέξατε μπορεί να δώσει πίεση μεγαλύτερη από $P_{διακ.} + A$.

- $P_{δoαχ.}$: Προκαθορισμένη πίεση πιστικού δοχείου.
 $P_{ελαχ.}$: Επιθυμητή ελάχιστη πίεση.
 $P_{εκκ.}$: Προκαθορισμένη πίεση εκκίνησης στον πιεζοστάτη.
 $P_{διακ.}$: Προκαθορισμένη πίεση παύσης στον πιεζοστάτη.
 $Q_{μέγ.}$: Μέγιστη παροχή στην $P_{ελαχ.}$.

TM00 6445 3795

8.3 Υπερφόρτωση πίεσης συστήματος φρεατίου

Για την παροχή προστασίας έναντι της υπερπίεσης, τοποθετήστε μία βαλβίδα εκτόνωσης πίεσης κατάντη της κεφαλής του φρεατίου. Το σημείο ρύθμισης της βαλβίδας εκτόνωσης πίεσης πρέπει να είναι τουλάχιστον 30 psi πάνω από τη ρύθμιση της πίεσης.

Εάν τοποθετήσετε μία βαλβίδα εκτόνωσης, συνιστούμε να τη συνδέσετε σε ένα κατάλληλο σημείο αποστράγγισης.

Καθορίζοντας την $P_{ελαχ.}$ και την $Q_{μέγ.}$ προκύπτει από τον ακόλουθο πίνακα το **ελάχιστο** μέγεθος του δοχείου μεμβράνης, η πίεση του αερίου και οι ρυθμίσεις του πιεζοστάτη.

Παράδειγμα:

$P_{ελαχ.} = 35$ m μονομερικό, $Q_{μέγ.} = 2,5$ m³/h.

Με βάση τις πληροφορίες αυτές, οι ακόλουθες τιμές προκύπτουν από τον πίνακα:

Ελάχιστο μέγεθος δοχείου μεμβράνης = 33 λίτρα.

$P_{δοχ.} = 31,5$ m ΥΣ.

$P_{εκκ.} = 36$ m ΥΣ.

$P_{διακ.} = 50$ m ΥΣ.

$P_{ελαχ.}$ [m ΥΣ]	$Q_{μέγ.}$ [m ³ /h]																$P_{δοχ.}$ [m ΥΣ]	$P_{εκκ.}$ [m ΥΣ]	$P_{διακ.}$ [m ΥΣ]		
	0,6	0,8	1	1,2	1,5	2	2,5	3	3,5	4	4,5	5	5,5	6	6,5	7				7,5	8
Μέγεθος δοχείου μεμβράνης [λίτρα]																					
25	8	8	18	18	18	18	24	33	33	50	50	50	50	80	80	80	80	80	22,5	26	40
30	8	8	18	18	18	24	33	33	50	50	50	50	80	80	80	80	80		27	31	45
35	8	18	18	18	18	24	33	33	50	50	50	80	80	80	80	80			31,5	36	50
40	8	18	18	18	18	24	33	50	50	50	80	80	80	80	80				36	41	55
45	8	18	18	18	24	33	33	50	50	50	80	80	80	80					40,5	46	60
50	8	18	18	18	24	33	50	50	50	80	80	80	80						45	51	65
55	18	18	18	18	24	33	50	50	50	80	80	80							49,5	56	70
60	18	18	18	18	24	33	50	50	80	80	80	80							54	61	75
65	18	18	18	24	24	33	50	50	80	80	80	80							58,5	66	80

1 m ύψος = 0,098 bar.

8.4 Ενσωματωμένη προστασία

Ο κινητήρας διαθέτει μία ηλεκτρονική μονάδα που τον προστατεύει σε διάφορες περιστάσεις.

Σε περίπτωση υπερφόρτωσης, η ενσωματωμένη προστασία υπερφόρτωσης θα σταματήσει την αντλία για 5 λεπτά. Μετά από αυτό το διάστημα, η αντλία θα επιχειρήσει επανεκκίνηση.

Αν η αντλία έχει σταματήσει λόγω ξηρής λειτουργίας, θα επανεκκινήσει αυτόματα μετά από 5 λεπτά.

Αν η αντλία ξαναεκκινήσει και δεν υπάρχει νερό, η αντλία θα σταματήσει μετά από 30 δευτερόλεπτα.

Επανάταξη της αντλίας: Κλείστε την παροχή ρεύματος για 1 λεπτό.

Επίσης ο κινητήρας προστατεύεται στις περιπτώσεις:

- ξηρής λειτουργίας
- στιγμιαίων εξάρσεων τάσης από κεραυνούς (έως 6000 V)
Σε περιοχές με συχνούς κεραυνούς απαιτείται εξωτερική αντικεραυνική προστασία.
- υπέρτασης
- πτώσης τάσης (υπότασης)
- υπερφόρτωσης και
- υπερθέρμανσης.

SQE αντλίες/MSE 3 κινητήρες:



Με το CU 300 ή CU 301, το όριο διακοπής από ξηρά λειτουργία των κινητήρων MSE 3 μπορεί να ρυθμιστεί, προκειμένου να ταιριάζει στην πραγματική εφαρμογή.

9. Συντήρηση και τεχνική υποστήριξη

Κανονικά οι αντλίες δεν χρειάζονται συντήρηση.

Παρόλα αυτά μπορεί να προκληθούν φθορές ή να συγκεντρωθούν ιζήματα. Για το λόγο αυτό, η Grundfos διαθέτει σε ανταλλακτικών και τα ανάλογα εργαλεία. Το Service Manual της Grundfos είναι διαθέσιμο κατόπιν αιτήσεως.

Οι αντλίες μπορούν επίσης να επισκευασθούν στο Service της Grundfos.

9.1 Μολυσμένες αντλίες



Εάν μία αντλία έχει χρησιμοποιηθεί για την άντληση ενός υγρού που είναι επιβλαβές για την υγεία ή τοξικό, τότε η αντλία θεωρείται μολυσμένη.

Εάν ζητηθεί από την Grundfos να επισκευάσει την αντλία, τότε θα πρέπει να της δοθούν όλες οι λεπτομέρειες σχετικά με τον υγρό που έχει αντληθεί πριν μεταφερθεί η αντλία για επισκευή. Διαφορετικά, η Grundfos μπορεί να αρνηθεί να δεχθεί την αντλία για επισκευή.

Ωστόσο, οποιαδήποτε αίτηση για επισκευή (ανεξάρτητα από το πού μπορεί να απευθύνεται) πρέπει να περιλαμβάνει λεπτομέρειες σχετικά με τον αντλούμενο υγρό σε περίπτωση που η αντλία έχει χρησιμοποιηθεί για υγρά που είναι επιβλαβή για την υγεία ή τοξικά.

SQE-NE: Μόνον αντλίες που μπορεί να πιστοποιηθούν ως μη μολυσμένες, π.χ. αντλίες που δεν περιέχουν επικίνδυνα ή/και τοξικά υλικά, μπορούν να μεταφερθούν στην Grundfos για service.

Για να αποφευχθεί ο τραυματισμός των εργαζόμενων στο μήμα τεχνικής υποστήριξης καθώς και η μόλυνση του περιβάλλοντος, απαιτείται η προσκόμιση ενός πιστοποιητικού που θα επιβεβαιώνει ότι η αντλία είναι καθαρή.

Η Grundfos πρέπει να λάβει αυτό το πιστοποιητικό πριν από τη μεταφορά της αντλίας. Διαφορετικά, η Grundfos θα αρνηθεί να την παραλάβει για service.

Οι ενδεχόμενες δαπάνες που θα προκύψουν από την επιστροφή της αντλίας βαρύνουν τον πελάτη.

10. Πίνακας εύρεσης βλαβών

ΠΡΟΣΟΧΗ

Ηλεκτροπληξία

Μικρός ή μέτριος τραυματισμός ατόμων



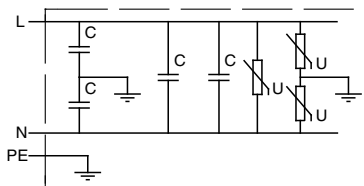
- Πριν ξεκινήσετε οποιασδήποτε φύσεως εργασία στην αντλία/κινητήρα, βεβαιωθείτε ότι η παροχή ρεύματος είναι κλειστή και ότι δεν μπορεί να ανοίξει τυχαία.

Βλάβη	Αιτία	Επιδιόρθωση
1. Η αντλία δεν λειτουργεί.	a) Έχουν καεί οι ασφάλειες στην ηλεκτρική εγκατάσταση.	Αντικαταστήστε τις καμένες ασφάλειες. Εάν καούν και οι καινούριες, θα πρέπει να ελέγξετε την ηλεκτρική εγκατάσταση και το υποβρύχιο καλώδιο σύνδεσης.
	b) Το ρελέ διαρροής ή ο επιτηρητής τάσης έχει διακόψει.	Εκκινήστε το ρελέ.
	c) Δεν υπάρχει παροχή ηλεκτρικού ρεύματος.	Επικοινωνήστε με την εταιρία ηλεκτρικού ρεύματος.
	d) Η προστασία κινητήρα διέκοψε την παροχή ρεύματος εξαιτίας υπερφόρτωσης.	Ελέγξτε εάν ο κινητήρας/αντλία είναι φραγμένος.
	e) Η αντλία/υποβρύχιο καλώδιο σύνδεσης είναι ελαττωματικά.	Επισκευάστε/αντικαταστήστε την αντλία/καλώδιο.
	f) Παρουσιάστηκε υπέρταση ή υπόταση.	Ελέγξτε την παροχή ρεύματος.
2. Η αντλία λειτουργεί, αλλά δεν δίνει νερό.	a) Η βαλβίδα κατάθλιψης είναι κλειστή.	Ανοίξτε τη βαλβίδα.
	b) Δεν υπάρχει νερό ή η στάθμη του νερού είναι πολύ χαμηλή στη γεώτρηση.	Βλέπε παράγραφο 3 α).
	c) Η βαλβίδα αντεπιστροφής "κόλλησε" στην κλειστή της θέση.	Αφαιρέστε την αντλία και καθαρίστε ή αντικαταστήστε τη βαλβίδα.
	d) Το φίλτρο αναρρόφησης έχει φράξει.	Αφαιρέστε την αντλία και καθαρίστε το φίλτρο.
	e) Η αντλία είναι ελαττωματική.	Επισκευάστε/αντικαταστήστε την αντλία.
3. Η αντλία λειτουργεί με μειωμένη απόδοση.	a) Το άδειασμα της γεώτρησης πραγματοποιείται με μεγαλύτερους από τους αναμενόμενους ρυθμούς.	Αυξήστε το βάθος εγκατάστασης της αντλίας, ρυθμίστε την αντλία ή αντικαταστήστε τη με ένα μικρότερο μοντέλο για να έχει μικρότερη απόδοση.
	b) Οι βαλβίδες στο σωλήνα κατάθλιψης είναι μερικώς κλειστές/φραγμένες.	Ελέγξτε και καθαρίστε/αντικαταστήστε τις βαλβίδες, εάν χρειάζεται.
	c) Ο σωλήνας κατάθλιψης έχει φραχθεί μερικώς από επικαθίσεις (ώχρα).	Καθαρίστε/αντικαταστήστε το σωλήνα κατάθλιψης.
	d) Η βαλβίδα αντεπιστροφής της αντλίας είναι μερικώς φραγμένη.	Αφαιρέστε την αντλία και ελέγξτε/αντικαταστήστε τη βαλβίδα.
	e) Η αντλία και ο σωλήνας κατάθλιψης είναι μερικώς φραγμένοι από επικαθίσεις (ώχρα).	Αφαιρέστε την αντλία. Ελέγξτε και καθαρίστε ή αντικαταστήστε την αντλία, εάν χρειάζεται. Καθαρίστε τους σωλήνες.
	f) Η αντλία είναι ελαττωματική.	Επισκευάστε/αντικαταστήστε την αντλία.
	g) Υπάρχει διαρροή στις σωληνώσεις.	Ελέγξτε και επισκευάστε τις σωληνώσεις.
	h) Ο σωλήνας κατάθλιψης είναι ελαττωματικός.	Αντικαταστήστε το σωλήνα κατάθλιψης.
	i) Έχει παρουσιαστεί πτώση τάσης.	Ελέγξτε την παροχή ρεύματος.

Βλάβη	Αιτία	Επιδιόρθωση
4. Συχνές εκκινήσεις και παύσεις.	a) Το διαφορικό του πιεζοστάτη μεταξύ των πιέσεων εκκίνησης και παύσης είναι πολύ μικρό.	Αυξείστε το διαφορικό. Οπωσδήποτε όμως, η πίεση διακοπής δεν πρέπει να υπερβαίνει την πίεση λειτουργίας του δοχείου μεμβράνης και η πίεση εκκίνησης πρέπει να εξασφαλίζει ικανοποιητική παροχή νερού.
	b) Τα ηλεκτρόδια στάθμης νερού ή τα φλοτέρ της δεξαμενής δεν έχουν τοποθετηθεί σωστά.	Ρυθμίστε τα διαστήματα των ηλεκτροδίων/φλοτέρ για να εξασφαλίσετε επαρκή χρόνο μεταξύ των εκκινήσεων και των παύσεων της αντλίας. Συμβουλευθείτε τις οδηγίες εγκατάστασης και λειτουργίας για τους αυτοματισμούς που χρησιμοποιούνται. Εάν το διάστημα μεταξύ εκκίνησης /παύσης δεν μπορεί να αλλάξει μέσω των αυτοματισμών, η απόδοση της αντλίας μπορεί να μειωθεί στραγγαλίζοντας την κατάθλιψη.
	c) Η βαλβίδα αντεπιστροφής παρουσιάζει διαρροή ή έχει μπλοκάρει μισοανοικτή.	Αφαιρέστε την αντλία και καθαρίστε/ αντικαταστήστε τη βαλβίδα αντεπιστροφής.
	d) Η τάση τροφοδοσίας είναι ασταθής.	Ελέγξτε την παροχή ρεύματος.
	e) Η θερμοκρασία κινητήρα είναι πολύ υψηλή.	Ελέγξτε τη θερμοκρασία νερού.

10.1 Μέτρηση αντίστασης μόνωσης

Η μέτρηση της αντίστασης μόνωσης μιας εγκατάστασης που διαθέτει αντλίες SQ/SQE δεν επιτρέπεται, γιατί μπορεί να καταστρέψει τα ενσωματωμένα ηλεκτρονικά, βλέπε σχ. 13.



TM02 0689 5000

Σχ. 13

11. Έλεγχος της ηλεκτρικής παροχής

ΠΡΟΕΙΔΟΠΟΙΗΣΗ

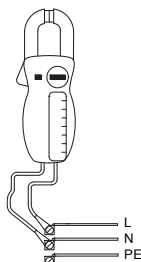
Ηλεκτροπληξία

Θάνατος ή σοβαρός τραυματισμός ατόμων



- Πριν ξεκινήσετε οποιασδήποτε φύσεως εργασία στην αντλία/κινητήρα, βεβαιωθείτε ότι η παροχή ρεύματος είναι κλειστή και ότι δεν μπορεί να ανοίξει τυχαία.

1. Τάση παροχής



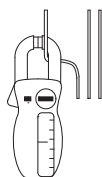
TM00 1371 4904

Μετρήστε την τάση (RMS) μεταξύ της φάσης και του ουδέτερου. Συνδέστε το βολτόμετρο στους ακροδέκτες της σύνδεσης.

Η τάση πρέπει, όταν ο κινητήρας είναι υπό φορτίο, να κυμαίνεται στην περιοχή που ορίζεται στην παράγραφο **5. Ηλεκτρική σύνδεση**.

Μεγάλες διακυμάνσεις στην τάση τροφοδοσίας υποδεικνύουν κακή ηλεκτρική παροχή και θα πρέπει να σταματήσετε την αντλία μέχρι να επιδιορθώσετε τη βλάβη.

2. Κατανάλωση ρεύματος



TM00 1372 5082

Μετρήστε το ρεύμα (RMS) ενώ η αντλία λειτουργεί με σταθερό μανομετρικό (εάν είναι δυνατό στην παροχή που ο κινητήρας είναι πολύ φορτωμένος).

Όσον αφορά το μέγιστο ρεύμα, βλέπε την πινακίδα.

Εάν το ρεύμα υπερβαίνει το ρεύμα πλήρους φορτίου, υπάρχουν κάποιες από τις ακόλουθες πιθανές βλάβες:

- Κακή σύνδεση των αγωγών, πιθανότατα στη σύνδεση καλωδίου.
- Πολύ χαμηλή τάση τροφοδοσίας, βλέπε παράγραφο 1.

12. Περιβάλλον

Κατά τη χρήση, λειτουργία, αποθήκευση και μεταφορά θα πρέπει να τηρούνται όλοι οι περιβαλλοντικοί κανονισμοί σχετικά με τη χρήση των επικίνδυνων υλικών.

ΠΡΟΕΙΔΟΠΟΙΗΣΗ

Διαβρωτική ουσία

Θάνατος ή σοβαρός τραυματισμός ατόμων



- Όταν η αντλία τίθεται εκτός λειτουργίας, θα πρέπει να φροντίζετε να μην παραμείνει στην αντλία/κινητήρα και στο σωλήνα κατάθλιψης κανένα επικίνδυνο υλικό ικανό να προξενήσει τραυματισμό σε άτομα ή να βλάψει το περιβάλλον.

Σε περίπτωση που έχετε αμφιβολίες, επικοινωνήστε με την Grundfos ή τις τοπικές αρχές.

13. Απόρριψη

Το προϊόν αυτό και τα εξαρτήματά του θα πρέπει να απορριφθούν με ένα φιλικό προς το περιβάλλον τρόπο:

1. Χρησιμοποιήστε την τοπική δημόσια ή ιδιωτική υπηρεσία συλλογής αποβλήτων.
2. Αν αυτό δεν είναι δυνατό, επικοινωνήστε με την πλησιέστερη εταιρεία Grundfos ή συνεργείο επισκευών.

Υπόκειται σε τροποποιήσεις.

SADRŽAJ

	Stranica
1. Simboli korišteni u ovom dokumentu	155
2. Općenito	156
2.1 Primjena	156
3. Tehnički podaci	157
3.1 Skladištenje	157
3.2 Razina zvučnog tlaka	157
4. Priprema za montažu	157
4.1 Punjenje motorske tekućine	157
4.2 Ugradni zahtjevi	158
4.3 Temperatura medija/hlađenje motora	158
5. Električni priključak	159
5.1 Općenito	159
5.2 Motorska zaštita	159
5.3 Priključivanje motora	159
6. Montaža	160
6.1 Općenito	160
6.2 Spajanje motora i crpke	160
6.3 Uklanjanje nepovratnog ventila	160
6.4 Montaža kablenskog utikača na motor	161
6.5 Montaža kablenske zaštitne tračnice	161
6.6 Dimenzioniranje kabela	162
6.7 Spajanje kabela	163
6.8 Cijevni priključak	163
7. Puštanje u pogon	164
8. Pogon	164
8.1 Minimalni dizani protok	164
8.2 Izbor membranskog tlačnog spremnika i namještanje ulaznog tlaka i tlačne sklopke	164
8.4 Ugrađena zaštita	166
9. Uzdržavanje i servisiranje	166
9.1 Zaprljane crpke	166
9.2 Rezervni dijelovi/pribor	166
10. Pregled smetnji	167
10.1 Ispitivanje otpora izolacije	168
11. Provjera opskrbnog napona	169
12. Okoliš	169
13. Zbrinjavanje	169



Prije ugradnje pročitajte ovaj dokument. Instalacija i pogon moraju biti sukladni s lokalnim propisima i prihvaćenim kodovima profesionalne izvedbe.



Ovaj proizvod mogu koristiti djeca od 8 godina ili više te sobe sa smanjenim fizičkim, osjetilnim ili mentalnim sposobnostima ako su pod nadzorom ili su poučene o upotrebi ovog proizvoda na siguran način i razumiju uključene opasnosti.

Djeca se ne smiju igrati s proizvodom. Čišćenje i druge radove održavanja ne smiju obavljati djeca bez nadzora.

1. Simboli korišteni u ovom dokumentu

OPASNOST



Označava opasnu situaciju koja, ako se ne izbjegne, može dovesti do smrti ili osobne ozljede.

UPOZORENJE



Označava opasnu situaciju koja, ako se ne izbjegne, može dovesti do smrti ili osobne ozljede.

PAŽNJA



Označava opasnu situaciju koja, ako se ne izbjegne, može dovesti manje ili srednje ozljede.

Tekst koji prati tri simbola opasnosti OPASNOST, UPOZORENJE I PAŽNJA će biti strukturirani na sljedeći način:

SIGNALNA OZNAKA



Opis opasnosti

Podljedica ignoriranja upozorenja.
- Radnja za izbjegavanje opasnosti.



Plavi ili sivi krug sa bijelim simbolom označava da se mora poduzeti radnja da bi se izbjegla opasnost.



Crveni ili sivi krug s dijagonalnom prečkom, moguće sa crnim simbolom označava da se radnja ne smije poduzeti ili mora prestati.



Ako se ove upute ne slijede može doći do kvara ili oštećenje opreme.



Savjeti i prijedlozi koji olakšavaju posao.

2. Općenito

UPOZORENJE



Električni udar

Smrt ili teška ozljeda
- Crpka ne smije biti u uporabi dok su ljudi u vodi.

Na stranici [412](#) ove montažne i pogonske upute naći ćete kopije natpisnih pločica crpki i motora. Prije no što crpku SQ/SQE spustimo u bušotinu, treba ovu stranicu upotpuniti relevantnim podacima. Ova montažna i pogonska uputa mora se čuvati na suhom na mjestu montaže crpke.

2.1 Primjena

Crpke **SQ** i **SQE** podobne su za dizanje čistih, rijetkih, neagresivnih, neeksplozivnih medija bez krutih ili vlaknastih čestica.

Glavna područja primjene:

- Opskrba podzemnom vodom za
 - stambene zgrade
 - male vodovode
 - uređaje za navodnjavanje, npr. u staklenicima.
- Dizanje tekućine u spremnicima.
- Povišenje tlaka.

Crpke **SQE-NE** podobne su za dizanje čistih, rijetkih, neeksplozivnih medija bez krutih ili vlaknastih čestica.

Nadalje se ove crpke smiju rabiti i za transport zaprljane podzemne vode ili podzemne vode s hidrogenkarbonatom, npr. sa

- smetlišta
- deponija kemikalija
- industrijskih zemljišta
- postaja za opskrbu benzinom i loživim uljem te
- na područjima posebno zaštićenog okoliša.

Osim toga se **SQE-NE** crpka može rabiti za uzimanje uzoraka i kontrolu, a u iznimnom slučaju se čak može instalirati u uređaj za pripremu vode.

Vrijedi za sve tipove crpki:

Maksimalni sadržaj pijeska ne smije prelaziti 50 g/m^3 . Veći sadržaj pijeska reducira vijek trajanja te povećava opasnost da crpka blokira.



Kod dizanja medija čija viskoznost nije jednaka onoj vode, povežite se, molimo, s Grundfosom.

pH-vrijednosti

SQ i SQE: 5 do 9.

SQE-NE: kontaktirati Grundfos.

Temperatura medija:

Temperatura medija ne smije prelaziti 35 °C (vidi odlomak [4.3 Temperatura medija/hlađenje motora](#)).

3. Tehnički podaci

Opskrbni napon:

1 x 200-240 V - 10 %/+ 6 %, 50/60 Hz, PE.
Generatorski pogon: učin generatora mora iznositi najmanje vrijednost učina motora P_1 [kW] + 10 %.

Zaletna struja:

Zaletna struja motora odgovara maksimalnoj vrijednosti navedenoj na natpisnoj pločici.

Faktor snage:

PF = 1.

Tekućina u motoru:

Tip SML 2.

Kabel motora:

1,5 m, 3 x 1,5 mm², PE.

Temperatura medija:

Max. 35 °C.

Cijevni priključak:

SQ 1, SQ 2, SQ 3: Rp 1 1/4.

SQ 5, SQ 7: Rp 1 1/2.

Promjer crpke:

74 mm.

Promjer bušotine:

Min. 76 mm.

Dubina ugradnje:

Max. 150 m ispod mirujuće razine vode.
Vidi i odlomak [6.8.2 Dubina ugradnje](#).

Neto težina:

Max. 6,5 kg.

3.1 Skladištenje

Temperatura skladištenja: -20 °C do +60 °C.

3.1.1 Osiguranje od smrzavanja

Ukoliko crpku nakon uporabe treba uskladištiti, mora to mjesto biti sigurno od smrzavice ili treba provjeriti, da je tekućina u motoru otporna na smrzavanje.

Motor se ne smije skladištiti bez tekućine u motoru.

3.2 Razina zvučnog tlaka

Razina zvučnog tlaka crpke leži ispod graničnih vrijednosti navedenih u Smjernici EU 2006/42/EZ za strojeve.

4. Priprema za montažu

Grundfosovi podvodni motori MS 3 i MSE 3 imaju klizne ležaje u vodno podmazivanje, stoga nije potrebno dopunsko podmazivanje.

Podvodni su motori u tvornici napunjeni posebnom Grundfosovom tekućinom za motore, tipa SML 2. Ova se tekućina ne smrzava do -20 °C a konzervans u njoj sprječava razvoj bakterija.

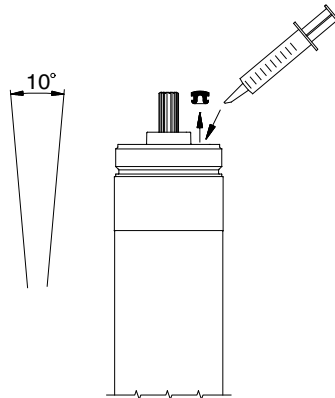
O razini tekućine ovisi vijek trajanja ležaja, pa time i motora.

4.1 Punjenje motorske tekućine

Ukoliko iz bilo kojeg razloga nema motorske tekućine, treba motor bezuvjetno dopuniti Grundfosovom tekućinom za motore SML 2.

Motoru se tekućina dolijeva na sljedeći način:

1. Demontirati kabelsku zaštitnu tračnicu pa skinuti motor s crpke.



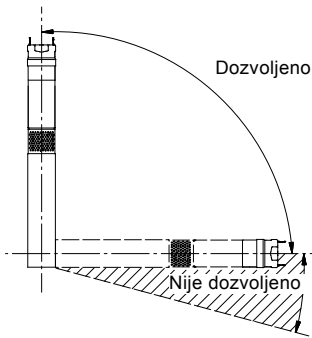
Slika 1

2. Motor postaviti okomito s nagibom od 10 °.
 3. Čep za punjenje demontirati odvijačem ili sličnim alatom.
 4. Tekućinu štrcaljkom ulijevati u motor.
 5. Motor pokretati amo-tamo, kako bi izašao eventualno prisutan zrak.
 6. Vratiti čep te ga čvrsto pritegnuti.
 7. Spojiti motor s crpkom.
 8. Montirati kabelsku zaštitnu tračnicu.
- Crpka je sada spremna za montažu.

TIM02 9606 3504

4.2 Ugradni zahtjevi

Crpka se može ugraditi kako okomito tako i vodoravno. No vratilo crpke ne smije se nikada nalaziti ispod vodoravnog položaja, vidi sl. 2.



Slika 2

Ukoliko se crpka montira vodoravno, npr. u neki spremnik, te postoji opasnost da će se crpka zamuljiti, treba crpku ugraditi u rashladni plašt. Za dubine ugradnje vidi odlomak [6.8.2 Dubina ugradnje](#).

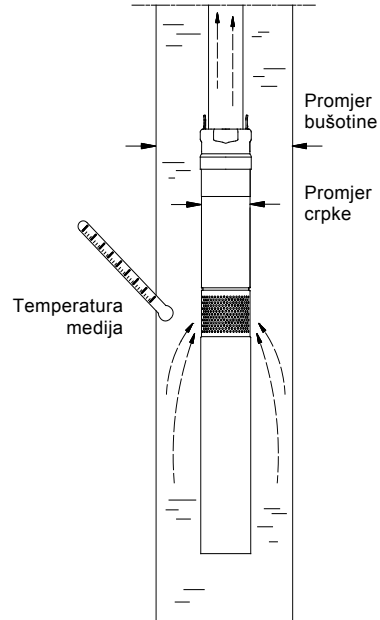
4.3 Temperatura medija/hlađenje motora

Slika 3 prikazuje jednu SQ/SQE crpku, ugrađenu u bušotinu. Crpka radi.

Slika 3 ilustrira sljedeće:

- promjer bušotine
- promjer crpke
- temperaturu medija
- strujanje oko motora do ulaznog sita.

TM01 1375 4397



Slika 3

Kako bi osigurali pravilno hlađenje motora, važno je paziti da je pod svim uvjetima maksimalna temperatura medija 35 °C.



Promjer bušotine mora iznositi najmanje 76 mm (cca 3").

Motor treba prigraditi iznad bunarskog filtera. Ukoliko rabimo rashladni plašt, može se crpka slobodno ugraditi u bušotinu.



Crpka smije najdulje 5 min. raditi uz zatvoreni tlačni vod. Uz zatvoreni tlačni vod nema hlađenja pa postoji opasnost od pregrijavanja motora i crpke.

Ukoliko aktualna temperatura medija prelazi specificiranu vrijednost, ili pak pogonski odnosi leže izvan specifikacija, može se dogoditi, da crpka isključi. Molimo kontaktirajte Grundfos.

TM01 0518 1297

5. Električni priključak

5.1 Općenito

Električno priključivanje mora izvršiti stručnjak, sukladno lokalnim propisima elektrodistributera odn. VDE propisima.

UPOZORENJE

Električni udar

Smrt ili teška ozljeda

- Prije početka radova na crpki treba bezuvjetno isključiti opskrbeni napon. Osigurati, da se napon nepažnjom ne može ponovno uključiti.
- Crpka mora biti uzemljena.
- Crpku treba osigurati na licu mjesta te priključiti na eksternu mrežnu sklopku. Osigurati odvajanje u svim polovima sa širinom kontaktnog otvora od min. 3 mm (po polu).
- Ukoliko je oštećen kabel motora, zamjenu kabela mora izvršiti Grundfos, ovlašteni Grundfosov servis ili stručna osoba.



Podaci o opskrbnom naponu, upisanoj max. struji te faktoru snage (PF) mogu se naći na natpisnoj pločici.

Potrebno naponsko područje za Grundfosove podvodne motore, izmjereno na stezaljkama motora, iznosi - 10 %/+ 6 % mrežnog napona pri trajnom pogonu (uključivo tolerancije u opskrbnom naponu i gubitke u kablama).


UPOZORENJE

Električni udar

Smrt ili teška ozljeda

- Ukoliko crpku treba priključiti na električnu instalaciju u kojoj se FI-zaštitna sklopka koristi kao dodatna zaštita, **moraju se** rabiti one, koje prema DIN VDE-u 0664 aktiviraju kako kod izmjeničnih tako i kod pulsirajućih istosmjernih struja.



Ove zaštitne sklopke **se moraju** označiti sljedećim simbolom: .

Opskrbni napon:

1 x 200-240 V - 10 %/+ 6 %, 50/60 Hz, PE.

Potrebna snaga se može izmjeriti samo s mjernim uređajem efektivne vrijednosti. Drugi mjerni uređaji pokazuju vrijednosti, koje odstupaju od aktualne vrijednosti.

Kod SQ/SQE crpki se kao tipična može izmjeriti struja odvoda od 2,5 mA pri 230 V, 50 Hz. Struja odvoda ovisi o opskrbnom naponu.

Crpke SQE i SQE-NE mogu se priključiti na potpunu motorsku zaštitu, tip CU 300 ili CU 301.

Umjesto CU 300 ili CU 301 se ne smije priključiti kondenzator ili koja druga potpuna motorska zaštita.

Crpka se ne smije priključiti na eksterni pretvarač frekvencije.



5.2 Motorska zaštita

Motor ima ugrađenu termoskopku pa ne treba druge motorske zaštite.

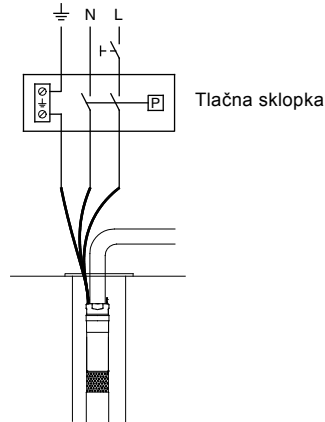
5.3 Priključivanje motora

Motor ima ugrađeni startni uređaj te se može priključiti direktno na mrežu.

Uključivanje odn. isključivanje crpke je u pravilu putem tlačne sklopke, vidi sl. 4.



Tlačna sklopka mora biti dimenzionirana za max. struju odgovarajućeg tipa crpke.



Slika 4

6. Montaža

6.1 Općenito

UPOZORENJE

Električni udar

Smrt ili teška ozljeda



- Prije početka bilo kakvih radova na crpki ili na motoru treba bezuvjetno isključiti opskrbeni napon. Osigurati, da se nepažnjom napon ne može ponovno uključiti.



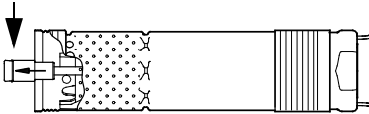
Crpka se ne smije spuštati ili dizati pomoću kabela motora.

Sve se crpke isporučuju s dopunskom natpisnom pločicom, koja se mora pričvrstiti na licu mjesta.

6.2 Spajanje motora i crpke

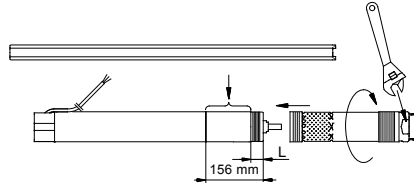
Motor i crpka spajaju se kako slijedi:

1. motor horizontalno uklještit u škripcu, vidi sl. 6.
2. Vratilo crpke postaviti u prikazani položaj, vidi sl. 5.



Slika 5

3. Kraj vratila motora namazati isporučenom mašću.
4. Navijčati na motor dio crpke (55 Nm).
Upozorenje: oba vratila moraju međusobno zahvaćati.
Pritom se na priteznim površinama crpke smije rabiti odvijač, vidi sl. 6.



Slika 6

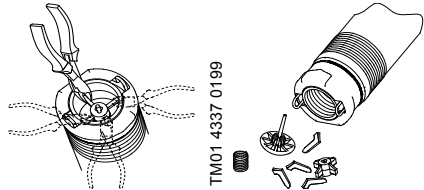
Motor (P2) [kW]	L [mm]
0,70	120
1,15	102
1,68	66
1,85	66

Ukoliko su dio crpke i motor ispravno spojeni, ne smije između njih postojati razmak.

6.3 Uklanjanje nepovratnog ventila

Ukoliko trebamo crpku bez nepovratnog ventila, može se ventil ukloniti na sljedeći način:

1. nožice ventilske vodilice odrezati pomoću kombiniranih kliješta ili sličnog alata, vidi sl. 7.
2. Crpku okrenuti tako, da glava gleda prema dolje.
3. Prekontrolirati, da su iz crpke izašli svi nepričvršćeni dijelovi.



Slika 7



SQE-NE se isporučuje bez nepovratnog ventila.

Nepovratni ventil se može dati montirati u Grundfosovom servisu.

6.4 Montaža kablskog utikača na motor

UPOZORENJE

Električni udar

Smrt ili teška ozljeda



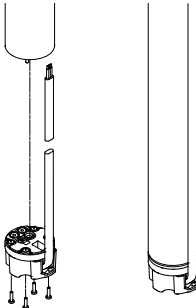
- Ni u kojem slučaju korisnik ne smije isključiti utikač motora.
- Kabel s utikačem mora bezuvjetno montirati odn. demontirati radionica koju je Grundfos ovlastio ili stručnjak sličnih kvalifikacija.

Slijedeći opis isključivo je namjenjen serviserima.

Ukoliko se mora zamjeniti kabel motora, pogledajte poglavlje **5.1 Općenito**. Isporučeni kablški utikač podmazan je u tvornici. Prekontrolirati, da je ispravno podmazan.

Kablški utikač se montira na sljedeći način:

1. Prekontrolirati ispravnost tipa, presjeka i duljine kabela.
2. Prekontrolirati da lokalni opskrbeni napon ima ispravno uzemljenje.
3. Prekontrolirati da je utičnica motora čista i suha. Provjeriti ugradnju isporučene brtve.
4. Kablški utikač utisnuti u utičnicu motora. Kablški utikač se ne može neispravno montirati, vidi sl. 8.



Slika 8

5. Montirati i čvrsto pritegnuti četiri vijka (1 - 1,5 Nm), vidi sl. 8.

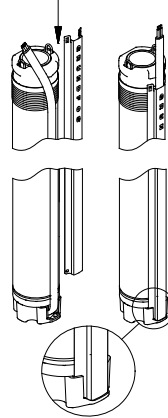
Nakon montaže utikača ne smije više postojati razmak između motora i kablskog utikača.

TM02 9605 3504

6.5 Montaža kablške zaštitne tračnice

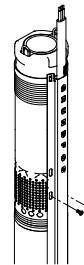
Kablšku zaštitnu tračnicu montirati kako slijedi:

1. Podvodni kabel plošno umetnuti u zaštitnu tračnicu.
2. Kablšku zaštitnu tračnicu montirati u šupljinu kablskog utikača. Obje gornje rupe sa strane na zaštitnoj tračnici moraju dosjesti u gornji rub plašta crpke, vidi sl. 9.



Slika 9

3. Pomoću oba isporučena narezana vijka pričvrstiti kablšku zaštitnu tračnicu na ulazno sito, vidi sl. 10.



Slika 10

TM02 9613 3504

TM01 4427 0299

6.6 Dimenzioniranje kabela

Grundfosovi podvodni kabeli isporučuju se za brojne različite instalacije.

Upozorenje Podvodni kabel mora biti dovoljno velik, kako bi udovoljio naponskim zahtjevima navedenim u odlomku [5.1 Općenito](#).

Vrijednosti u niženavedenim tabelama izračunane su sukladno sljedećoj formuli:

$$q = \frac{I \times 2 \times 100 \times PF \times L \times \rho}{U \times \Delta U}$$

q = promjer kabela [mm²].

I = upisana max. struja motora [A].

PF = 1,0.

L = duljina podvodnog kabela [m].

ρ = specifični otpor: 0,02 [Ωmm²/m].

U = nazivni napon [V].

ΔU = pad napona [%] = 4 %.

4 %-tni pad napona sukladan je propisu IEC 3-64, serija HD-384.

Proračun daje sljedeće max. duljine kabela uz opskrbeni napon od 240 V:

		Max. duljina kabela [m]					
Motor (P2)	I _N [A]	Veličina kabela					
		1,5 mm ²	2,1 mm ² / 14 AWG	2,5 mm ²	3,3 mm ² / 12 AWG	4 mm ²	6 mm ²
[kW]							
0,7	5,2	80	112	133	176	213	320
1,15	8,4	50	69	83	109	132	198
1,68	11,2	37	52	62	82	99	149
1,85	12	35	49	58	76	92	139

6.7 Spajanje kabela

Preporučamo podvodni kabel spojiti s kablom motora pomoću Grundfosove kablanske spojke tip KM.

Kablanska spojka, tip KM	
Presjek voda	Proizvodni broj
1,5 do 6,0 mm ²	96021473

Kod većih presjeka vodova povežite se, molimo, s Grundfosom.

6.8 Cijevni priključak

Ukoliko pri priključivanju uzlazne cijevi rabimo alat, smije se crpka stezati samo na glavi.

Kad se crpka spaja s plastičnim cijevima, obvezatna je uporaba stezne spojke.

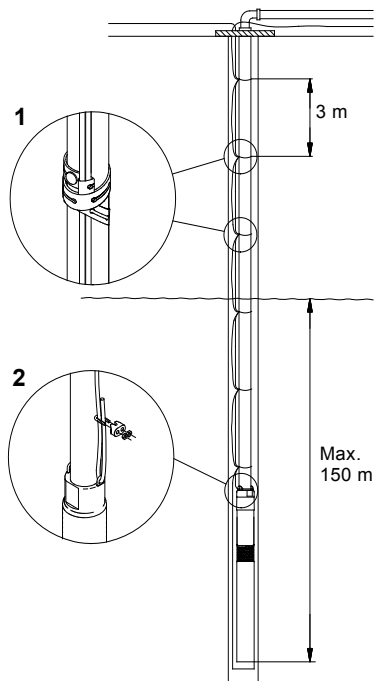


Kod montaže crpki s plastičnim cijevima pri određivanju dubine ugradnje voditi računa o rastezanju cijevi.

Kod uporabe cijevi s prirubnicama treba u prirubnicama ostaviti otvore za podvodni kabel i crijevo vodokaza (ukoliko se ugrađuju).

Sl. 11 prikazuje instalaciju s crpkom uz podatke o:

- položaju kablanskih tračnica, poz. 1, i udaljenosti između kablanskih objumica.
- montaži čeličnog užeta, poz. 2.
- max. dubini ugradnje ispod mirujuće razine vode.



Slika 11

6.8.1 Pričvršćenje kabela

Kablanske objumice montirati na svaka 3 m, vidi sl. 11.

Kod uporabe plastičnih cijevi mora podvodni kabel imati određenu toleranciju s obzirom na promjenu položaja uzrokovanu opterećenjem.

Kod uporabe cijevi s prirubnicama treba kablanske objumice montirati ispod i iznad svakog prirubničkog spoja.

TM01 0480 4397

6.8.2 Dubina ugradnje

Maksimalna dubina ugradnje ispod mirujuće razine vode: 150 m, vidi sl. 11.

Minimalna dubina ugradnje ispod mirujuće razine vode:

- **vertikalna ugradnja:**
za vrijeme puštanja u pogon i za vrijeme pogona mora crpka uvijek biti potpuno uronjena u vodu.
- **Horizontalna ugradnja:**
crpku ugraditi 0,5 m ispod snižene razine vode, gdje mora raditi. Ukoliko postoji opasnost da se crpka zamulji, treba je bezuvjetno ugraditi u rashladni plašt.

6.8.3 Spuštanje crpke

Preporučamo crpku osigurati pomoću čeličnog užeta, vidi sl. 11, poz. 2.

Čelično uže toliko otpustiti, da je neopterećeno; onda ga pomoću stezaljki za užad pričvrstiti na glavu zdenca.



Čelično uže se ne smije rabiti za izvlačenje crpke s cijevima iz bunara.



Crpka se ne smije spuštati ili izvlačiti pomoću kabela motora.

7. Puštanje u pogon

Provjeriti, da dotok vode u bunar odgovara najmanje učinu dizanja crpke.

Crpka se smije uključiti tek onda, kad je potpuno uronjena u medij koji diže.

Crpku uključiti pa isključiti tek onda, kad je opet bistar. Prerano isključivanje crpke povećava opasnost od začepljenja dijelova crpke ili nepovratnog ventila.

8. Pogon

8.1 Minimalni dizani protok

Za osiguranje dovoljnog hlađenja motora ne smije dizani protok crpke nikada pasti ispod 50 l/h.

Dizani protok može pod određenim uvjetima naglo pasti. Razlog može ležati u tome, da je učin crpke veći od dotoka vode u zdenac. Crpku treba isključiti a smetnju ukloniti.



Zaštita crpke od rada na suho funkcionira samo unutar preporučenog radnog područja crpke.

8.2 Izbor membranskog tlačnog spremnika i namještanje ulaznog tlaka i tlačne sklopke

UPOZORENJE



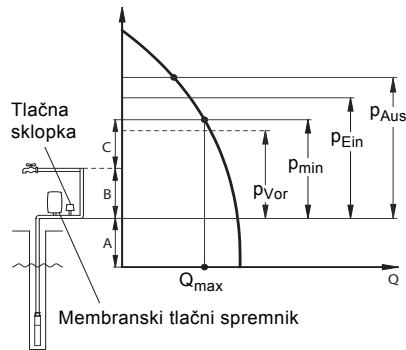
Sustav pod tlakom

Smrt ili teška ozljeda

- Uređaj mora biti projektiran za maksimalni tlak dizanja crpke.

Zahvaljujući ugrađenom mekom pokretaču, iznosi zaletno vrijeme crpke 2 sekunde, pa je tlak na tlačnoj sklopki i u membranskom tlačnom spremniku nakon uključivanja crpke niži od tlaka uključivanja (p_{Ein}) namještenog na tlačnoj sklopki. Ovaj niži tlak zove se minimalni tlak (p_{min}).

p_{min} odgovara potrebnom minimalnom tlaku na najgornjem izljevnom mjestu + dobavna visina i gubitak trenjem u cjevovodu između tlačne sklopke ili membranskog tlačnog spremnika i najgornjeg izljevnom mjestu ($p_{min} = B + C$), vidi sl. 12.



Slika 12

- A: Visina dizanja + gubitak trenjem u cjevovodu između spuštene razine vode i membranskog tlačnog spremnika.
- B: Visina dizanja + gubitak trenjem u cjevovodu između membranskog tlačnog spremnika i najgornjeg izljevnom mjestu.
- C: Minimalni tlak na najgornjem izljevnom mjestu.



Osigurati, da dobavni tlak odabrane crpke prelazi vrijednost $p_{Aus} + A$.

- p_{Vor} : Ulazni tlak.
- p_{min} : Potrebni minimalni tlak.
- p_{Ein} : Tlak uključivanja namješten na tlačnoj sklopki.
- p_{Aus} : Tlak isključivanja namješten na tlačnoj sklopki.
- Q_{max} : Maksimalni dobavni tlak uz p_{min} .

8.3 Preopterećenje tlaka sustava bunara

Kako biste osigurali zaštitu od prekomjernog tlaka, ugradite sigurnosni ventil nizvodno od najviše točke bunara. Radna točka sigurnosnog ventila mora biti najmanje 30 psi veća od postavke tlaka.

Ako ugradite sigurnosni ventil, preporučujemo da ga spojite na odgovarajući priključak za ispuštanje.

Minimalna veličina membranskog tlačnog spremnika, ulazni tlak i namještanje tlačne sklopke mogu se, ovisno o p_{\min} i Q_{\max} , naći u sljedećoj tabeli:

primjer:

$$p_{\min} = 35 \text{ m v.s.}, Q_{\max} = 2,5 \text{ m}^3/\text{h}.$$

Na osnovi ovih informacija možemo u tabeli naći sljedeće vrijednosti:

minimalna veličina membranskog tlačnog spremnika = 33 l.

$$p_{\text{Vor}} = 31,5 \text{ m v.s.}$$

$$p_{\text{Ein}} = 36 \text{ m v.s.}$$

$$p_{\text{Aus}} = 50 \text{ m v.s.}$$

p_{\min} [m]	Q_{\max} [m ³ /h]																p_{Vor} [m]	p_{Ein} [m]	p_{Aus} [m]		
	0,6	0,8	1	1,2	1,5	2	2,5	3	3,5	4	4,5	5	5,5	6	6,5	7				7,5	8
veličina membranskog tlačnog spremnika [litara]																					
25	8	8	18	18	18	18	24	33	33	50	50	50	50	80	80	80	80	80	22,5	26	40
30	8	8	18	18	18	24	33	33	50	50	50	50	80	80	80	80	80		27	31	45
35	8	18	18	18	18	24	33	33	50	50	50	80	80	80	80	80			31,5	36	50
40	8	18	18	18	18	24	33	50	50	50	80	80	80	80	80				36	41	55
45	8	18	18	18	24	33	33	50	50	50	80	80	80	80					40,5	46	60
50	8	18	18	18	24	33	50	50	50	80	80	80	80						45	51	65
55	18	18	18	18	24	33	50	50	50	80	80	80							49,5	56	70
60	18	18	18	18	24	33	50	50	80	80	80	80							54	61	75
65	18	18	18	24	24	33	50	50	80	80	80	80							58,5	66	80

1 m v.s. = 0,098 bar.

8.4 Ugrađena zaštita

Motor ima ugrađenu elektroničku jedinicu, koja čuva motor u raznim prilikama.

Kod preopterećenja će ugrađena zaštita od preopterećenja isključiti crpku na 5 minuta. Nakon tog razdoblja pokušava crpka ponovno startati.

Ukoliko je crpka radi rada na suho isključila, uključuje se automatski nakon 5 minuta.

Ukoliko se crpka uključila u praznom zdencu, isključit će nakon 30 sekundi.

Vraćanje crpke: isključiti opskrbeni napon u trajanju od 1 minute.

Motor je zaštićen u sljedećim slučajevima:

- rada na suho
- impulsnog prenapona (6000 V)
U područjima s čestim pojavama munja potrebna je gromobranska zaštita.
- prenapona
- podnapona
- preopterećenja i
- nadtemperature.

SQE crpki/MSE 3 motori:



Kod SQE crpki/MSE 3 motora može se granica isključivanja pri radu na suho pomoću CU 300/CU 301 prilagoditi aktualnim uvjetima uporabe.

9. Uzdržavanje i servisiranje

Crpke normalno ne treba uzdržavati.

Mogu se javiti talozi i istrošenost.

Grundfos isporučuje komplete za servisiranje kao i servisni alat.

Crpke se mogu odnijeti na ispitivanje u Grundfosov servis.

9.1 Zaprljane crpke



Crpka se klasificira kao kontaminirana ukoliko se rabila za dobavu po zdravlje opasne ili otrovne tekućine.

U takvom slučaju moramo prilikom svakog zahtjeva za servisiranjem raspolagati detaljnim obavijestima o dizanom mediju.

Kod eventualnog zahtjeva za servisiranjem treba bezuvjetno prije slanja crpke kontaktirati Grundfos, koji mora raspolagati obavijestima o dizanom mediju itd., jer inače može odbiti primitak crpke.

SQE-NE: crpke kojima se nisu dizale kontaminirane tekućine, mogu se na servisiranje poslati Grundfosu, ukoliko posjeduju potvrdu da su bezopasne.

Pravno obvezatnu potpisanu potvrdu mora servisna služba Grundfosa posjedovati prije slanja crpke. Bez te potvrde odbit ćemo primitak crpke.

Eventualni troškovi slanja idu na teret pošiljatelja.

9.2 Rezervni dijelovi/pribor

Posebno naglašavamo, da rezervni dijelovi i pribor koje nismo mi isporučili, mi ne možemo ni ispitati niti odobriti.

Ugradnja i/ili uporaba takvih proizvoda može uz određene uvjete negativno utjecati na konstrukcijski zadane karakteristike crpke.

Grundfos ne snosi nikakvo jamstvo za kvarove nastale uporabom neoriginalnih rezervnih dijelova i pribora.

Smetnje koje ne možete ukloniti sami, smiju uklanjati samo Grundfosov servis ili ovlaštene stručne tvrtke.

Molimo javite što točniji opis kvara, kako bi se naši serviseri mogli pripremiti i uzeti odgovarajuće doknadne dijelove.

Tehničke podatke o uređaju naći ćete na natpisnoj pločici.

10. Pregled smetnji

PAŽNJA

Električni udar

Blaga ili srednja ozljeda



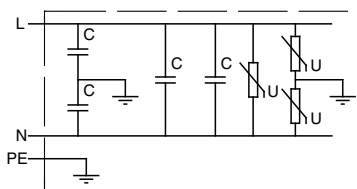
- Prije početka bilo kakvih radova na crpki ili na motoru treba bezuvjetno isključiti opskrbeni napon. Osigurati, da se nepažnjom napon ne može ponovno uključiti.

Smetnja	Uzrok	Pomoć
1. Crpka ne radi.	a) Pregorjeli osigurači u električnoj instalaciji.	Izmijeniti pregorjele osigurače. Ako ponovno pregore, treba prekontrolirati električni kabel i instalaciju.
	b) Aktivirala zaštitna nadstrujna ili zaštitna prenaponska sklopka.	Ponovno uključiti zaštitnu sklopku.
	c) Nema dovoda struje.	Povezati se s elektroopskrbnim poduzećem.
	d) Aktiviralo nadstrujno okidalo motorske zaštitne sklopke.	Prekontrolirati, da motor/crpka nisu blokirani.
	e) Oštećena crpka/podvodni kabel.	Popraviti/izmijeniti crpku/kabel.
	f) Prenapon ili podnapon.	Prekontrolirati opskrbeni napon.
2. Crpka radi no ne dobavlja vodu.	a) Zaporni ventil je zatvoren.	Otvoriti ventil.
	b) U zdencu nema vode ili je razina vode preniska.	Vidi 3 a).
	c) Nepovratni ventil je blokirao u zatvorenom položaju.	Crpku izvući pa ventil očistiti ili izmijeniti.
	d) Ulazno sito je začepljeno.	Crpku izvući pa očistiti ulazno sito.
	e) Crpka je defektna.	Crpku očistiti/izmijeniti.
3. Crpka radi sa smanjenim učinkom.	a) Sniženje vodostaja veće od predviđenog.	Povećati dubinu ugradnje, crpku prigušiti ili zamijeniti manjim modelom, kako bi se postigao manji učin.
	b) Ventilii u tlačnom vodu su djelomično zatvoreni/blokirani.	Remontirati ventile te ih eventualno očistiti/izmijeniti.
	c) Tlačni vod je uslijed zaprljanja djelomično začepljen (talog).	Očistiti/izmijeniti tlačni vod.
	d) Nepovratni ventil crpke je djelomično blokirao.	Crpku izvući pa očistiti/izmijeniti ventil.
	e) Crpka i uzlazna cijev su uslijed nečistoća djelomično začepljeni (talog).	Crpku izvući, demontirati, očistiti ili eventualno izmijeniti. Očistiti cijev.
	f) Crpka je defektna.	Crpku popraviti/izmijeniti.
	g) Propusnost u cjevovodu.	Prekontrolirati i popraviti cjevovod.
	h) Uzlazna cijev defektna.	Izmijeniti uzlaznu cijev.
	i) Podnapon.	Prekontrolirati opskrbeni napon.

Smetnja	Uzrok	Pomoć
4. Učestalo uključivanje i isključivanje.	a) Premala razlika na tlačnoj sklopki između uključivanja i isključivanja.	Povećati razliku. No tlak isključivanja ne smije prelaziti pogonski tlak tlačnog spremnika, a tlak uključivanja mora biti dovoljno visok, da osigurava dostatnu opskrbu vodom.
	b) Elektrode upravljanja razinom vode ili vodokazne sklopke u spremniku nisu ispravno montirane.	Namjestiti intervale elektroda/vodokaznih sklopki tako, da između uključivanja i isključivanja crpke imamo adekvatno vrijeme. Pridržavati se montažnih i pogonskih uputa korištenih automatskih uređaja. Ako se intervali između uključivanja i isključivanja ne mogu namjestiti s automatskim uređajima, reducirati učin crpke prigušivanjem tlačnog ventila.
	c) Nepovratni ventil je propustan ili je blokiran u djelomično otvorenom položaju.	Crpku izvući pa očistiti/izmijeniti nepovratni ventil.
	d) Nestabilan opskrbeni napon.	Prekontrolirati opskrbeni napon.
	e) Temperatura motora postaje previsoka.	Prekontrolirati temperaturu vode.

10.1 Ispitivanje otpora izolacije

U instalaciji s SQ/SQE crpkama se ne smije ispitivati otpor izolacije, jer bi se time mogla oštetiti ugrađena elektronika, vidi sl. 13.



TM02 0689 5000

Slika 13

11. Provjera opskrbnog napona

UPOZORENJE

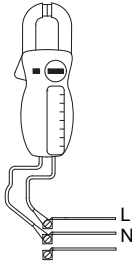
Električni udar

Smrt ili teška ozljeda



- Prije početka bilo kakvih radova na crpki ili na motoru treba bezuvjetno isključiti opskrbni napon. Osigurati, da se nepažnjom napon ne može ponovno uključiti.

1. Mrežni napon

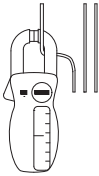


TM00 1371 4904

Izmjeriti napon između faze i nultog vodiča (pomoću mjernog uređaja efektivnih vrijednosti). Voltmetar stezaljkama spojiti na priključno mjesto.

Granični napon za vrijeme pogona ne smije se razlikovati od područja napona navedenog u odlomku 5. *Električni priključak*. Velike oscilacije napona ukazuju na lošu opskrbu strujom pa crpku treba isključiti, sve dok se pogreška ne ukloni.

2. Potrebna struja



TM00 1372 5082

Izmjeriti jakost struje svake faze (s mjer. uređajem efektivnih vrijednosti) dok crpka radi uz konstantni tlak dizanja (po mogućnosti uz učin, kod kojeg je motor maksimalno opterećen). Za max. struju vidi natpisnu pločicu.

Ukoliko je došlo do prekoračenja maksimalne termičke struje, moguće su sljedeće pogreške:

- loše povezane žice, možda u kabelskoj spojnici.
- preniski mrežni napon. Vidi točku 1.

12. Okoliš

Za vrijeme uporabe, pogona, skladištenja i transporta pridržavati se odgovarajućih propisa o zaštiti okoliša i lokalnih odredbi o rukovanju opasnim tvarima.

UPOZORENJE

Korozivna tvar

Smrt ili teška ozljeda



- Pri isključivanju crpke iz pogona treba provjeriti, da se u crpki ne nalaze nikakvi ostaci eventualno opasnih tvari, kako bismo spriječili moguću opasnost po zdravlje ili okoliš.

U dvojbena slučaju povežite se, molimo, s Grundfosom ili lokalnom nadležnom službom.

13. Zbrinjavanje

Ovaj se proizvod, a isto vrijedi i za njegove dijelove, mora zbrinuti sukladno čuvanju okoliša:

1. U tu svrhu rabiti lokalne javne ili privatne tvrtke za zbrinjavanje otpada.
2. Ukoliko to nije moguće, povežite se s najbližom Grundfosovom filijalom ili radionicom.

Zadržano pravo tehničkih izmjena.

Magyar (HU) Telepítési és üzemeltetési utasítás

Az eredeti angol változat fordítása

TARTALOMJEGYZÉK

	Oldal
1. A dokumentumban alkalmazott jelölések	170
2. Általános adatok	171
2.1 Alkalmazási terület	171
3. Műszaki adatok	172
3.1 Raktározás	172
3.2 Hangnyomásszint	172
4. Előkészítés	172
4.1 A motor töltőfolyadékának töltése	172
4.2 Beépítési követelmény	173
4.3 Folyadék hőmérséklete/hűtés	173
5. Villamos bekötés	174
5.1 Általános rész	174
5.2 Motorvédelem	174
5.3 A motor bekötése	174
6. Beépítés	175
6.1 Általános rész	175
6.2 A szivattyú és a motor összeerősítése	175
6.3 A visszacsapószelep eltávolítása	175
6.4 A kábel dugó csatlakoztatása a motorhoz	176
6.5 A kábelvédő lemez feltétele	176
6.6 A kábel méretezése	177
6.7 A merülőkábel toldása	178
6.8 Nyomócső csatlakoztatás	178
7. Indítás	179
8. Üzemeltetés	179
8.1 A legkisebb folyadékszállítás	179
8.2 Légüst kiválasztása, az előfeszítési nyomás és a nyomáskapcsoló beállítás	179
8.4 Beépített védelmek	181
9. Karbantartás és szerviz	181
9.1 Elszennyeződött szivattyúk	181
10. Hibakereső táblázat	182
10.1 Átütési szilárdság-vizsgálatok	183
11. A tápfeszültség ellenőrzése	184
12. Környezet	184
13. Hulladékkezelés	184



A telepítés megkezdése előtt olvassa el ezt a dokumentumot. A telepítés és az üzemeltetés feleljen meg a helyi előírásoknak és a bevált gyakorlat elfogadott követelményeinek.



Ezt a készüléket használhatják 8 éves, vagy ennél idősebb gyermekek, valamint korlátozott fizikai, érzékelési vagy mentális képességekkel rendelkező személyek, vagy olyanok, akiknek nincs tapasztalatuk és elegendő ismeretük, ha felügyelet adnak melléjük, vagy ha kioktatták őket a készülék biztonságos használatára és megértették az ezzel járó kockázatokat.

Gyermekek nem játszhatnak ezzel a készülékkel. Tisztítást és felhasználói karbantartást gyermekek felügyelet nélkül nem végezhetnek.

1. A dokumentumban alkalmazott jelölések

VESZÉLY



Olyan veszélyes helyzetet jelöl, amelyet, ha nem előznek meg vagy kerülnek el, halált vagy súlyos személyi sérülést okoz.

FIGYELMEZTETÉS



Olyan veszélyes helyzetet jelöl, amelyet, ha nem előznek meg vagy kerülnek el, halált vagy súlyos személyi sérülést okozhat.

VIGYÁZAT



Olyan veszélyes helyzetet jelöl, amelyet, ha nem előznek meg vagy kerülnek el, kisebb vagy közepesen súlyos személyi sérülést okozhat.

A három veszélyes helyzetet jelölő szimbólumok, VESZÉLY, FIGYELMEZTETÉS és VIGYÁZAT csoportosíthatók az alábbiak szerint:

SZÖVEGES JELZÉS



A veszély leírása

A figyelmeztetés figyelmen kívül hagyásának következménye.
- A veszély elkerülésének módja.



Kék vagy szürke kör, benne fehér grafikus jel jelzi, hogy cselekedni kell a veszély elhárítása vagy elkerülése érdekében.



Egy ferdén áthúzott vörös vagy szürke kör, lehetőleg egy fekete grafikai ábrával, jelzi, hogy egy műveletet nem szabad megtenni vagy félbe kell szakítani.



Ha ezeket az utasításokat nem tartják be, az a berendezés hibás működését vagy sérülését okozhatja.



A munkát megkönnyítő tippek és tanácsok.

2. Általános adatok

FIGYELMEZTETÉS



Áramütés

Halálos vagy súlyos személyi sérülés
- A szivattyút nem szabad használni, ha emberek vannak a vízben.

Ezen beépítési és működtetési utasítás oldalán találják meg a szivattyú és motor adattáblájának a másolatát.

Mielőtt az SQ/SQE szivattyút besülyeszti a fúrt kútba, töltsék ki a szivattyú adattáblájáról annak az értékeit a gépkönyvi adattábla másolatba beírva.

Referenciacélok érdekében ezt a beépítési és üzemeltetési utasítást tartsák mindig a beépítés helyéhez közel száraz helyen.

2.1 Alkalmazási terület

Az **SQ** és **SQE** szivattyúkat olyan tiszta, híg folyós, nem agresszív, nem robbanékony folyadékok szállítására tervezték, amelyekben nincsenek szilárd részecskék és szálas anyagok.

Jellemző felhasználási területek:

- Talajvíz szállítása
 - magánházak részére
 - kis vízművek részére
 - öntözési rendszerekhez például üvegházak részére.
- Tartályok közötti folyadék átemelésre.
- Nyomásfokozás.

Az **SQE-NE** szivattyúkat tiszta, híg folyós, nem robbanékony folyadékok szállítására tervezték, amelyek nem tartalmaznak szilárd részeket és szálas anyagokat.

Ezek a szivattyúk alkalmasak szennyezett vagy szénhidrogéneket tartalmazó talajvizek szivattyúzására, például:

- szeméttárolókból
- vegyi raktárakban
- ipari területeken
- olaj vagy gázolaj töltő állomásokon
- környezetvédelmi célokra.

Az **SQE-NE** szivattyúkat tehát fel lehet használni mintavételre, megfigyelésre és víztisztító rendszerekben a vegyi folyamatok követésére.

Az információk valamennyi szivattyútípusra vonatkoznak:

A víz homoktartalma ne legyen több, mint 50 g/m^3 . Az ennél nagyobb homoktartalom csökkenti a szivattyú élettartamát és megnöveli a beszorulás veszélyét.



Ha olyan folyadékot kívánnak szivattyúzni, amelynek viszkozitása meghaladja a vizét, kérjük, hogy a Grundfos-szal vegyék fel a kapcsolatot.

pH értékek:

SQ és SQE esetén: 5...9.

SQE-NE esetén: Kérjük vegyék fel a kapcsolatot a Grundfos-szal.

Folyadék hőmérséklete:

A szivattyúzott folyadék hőmérséklete ne haladja meg a 35°C értéket.

3. Műszaki adatok

Tápfeszültség:

1 x 200-240 V - 10 %/+ 6 %, 50/60 Hz, PE.

Működtetés áramfejlesztőről: a generátor teljesítménye legyen 10 %-al nagyobb, mint a motor által felvett P_1 [kW] értéke.

Indítási áram:

A motor adattábláján megadott értékkel egyenlő.

Teljesítmény tényező:

PF = 1 (cos φ).

Motor töltőfolyadék:

SML 2 típusú.

Motor kábele:

1,5 m hosszú 3 x 1,5 mm², PE.

Folyadék hőmérséklete:

Maximum 35 °C.

Szivattyú nyomócsonkjai:

SQ 1, SQ 2, SQ 3: Rp 5/4 (belső menetes csomk).

SQ 5, SQ 7: Rp 6/4 (belső menetes csomk).

A szivattyú átmérője:

74 mm.

Fúrt csőkút átmérője:

Legalább 76 mm.

Beépítési mélység:

Legfeljebb 150 m a nyugalmi vízszint alatt.

Lásd még az [6.8.2 Beépítési mélység](#) pontban: beépítési mélység.

Teljes tömeg:

Legfeljebb 6,5 kg.

3.1 Raktározás

Raktározási hőmérséklet: -20 °C ... + 60 °C között.

3.1.1 Fagyvédelem

Ha a szivattyút használat után kell raktározni, akkor fagymentes helyen kell elhelyezni, vagy meg kell arról győződni, hogy a motort töltő folyadék fagyálló.

A motort nem szabad folyadék töltés nélkül raktározni.

3.2 Hangnyomásszint

A hangnyomásszint kisebb, mint amit az Európai Unió 2006/42 irányelve kidolgozott a gépekre vonatkozóan.

4. Előkészítés

A Grundfos MS 3 és MSE 3 búvármotorok csapágazása vízkenésű csúszócsapágazás. Nincsen szükség más kenésre.

A búvármotorokat gyárilag töltik fel a különleges Grundfos SML 2 típusú motortöltő folyadékkal, amely -20 °C-ig fagyálló és úgy kezelték, hogy megelőzze baktériumok növekedését.

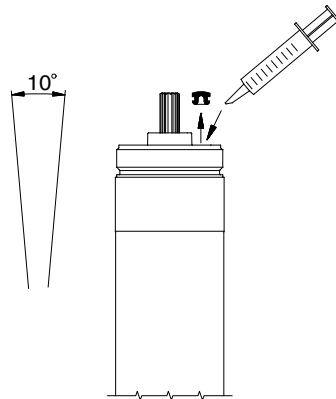
A motort töltő folyadék mennyiségét a csapágazás és így a motor teljes élettartamára méretezték.

4.1 A motor töltőfolyadékának töltése

Ha a motorfolyadék leürült a szivattyúból, akkor a motort fel kell tölteni Grundfos SML 2 motorfolyadékkal.

A motor töltésének lépései az [1.](#) ábra szerint a következők:

1. Szerelje le a kábelvédő léccet és szerelje le a motorról a szivattyút.



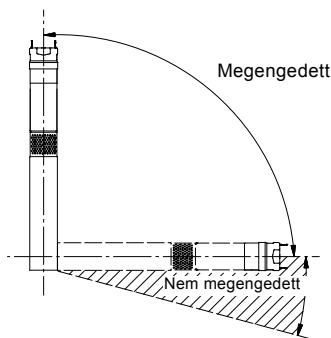
1. ábra

2. Helyezze el a motort a függőleges helyzethez képest mintegy 10 °-os dőléssel.
3. Távolítsa el a töltőnyílás dugóját csavarhúzóval vagy hasonló szerszámmal.
4. Töltse be a motorba a folyadékot (injekció) fecskendővel vagy hasonlóval.
5. A motorban benne maradt légbuborékot ide oda billegtetéssel távolítsa el.
6. Tegye vissza a nyílás dugóját és győződjön meg arról, hogy tömit.
7. Szerelje össze a motort a szivattyúval.
8. Helyezze vissza a kábelvédőt.

A szivattyút most kész a beépítésre.

4.2 Beépítési követelmény

A szivattyú akár vízszintesen, akár függőlegesen is beépíthető, de a motor tengelye a 2. ábra szerint ne lejtjen a szivattyú felé.



2. ábra

Ha a szivattyút vízszintesen kívánják beépíteni például egy tartályba és fennáll a veszélye annak, hogy iszap borítja el, akkor köpenycsőbe kell elhelyezni.

A beépítési mélységre nézve lásd a [6.8.2 Beépítési mélység](#) pontot.

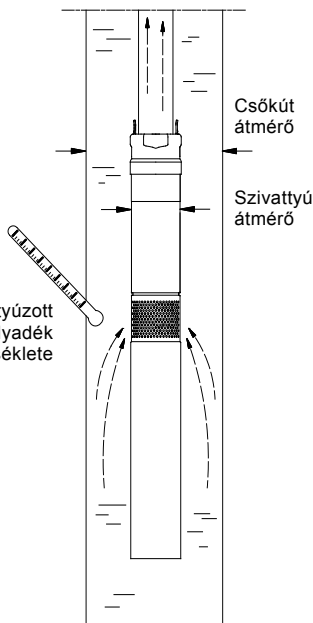
4.3 Folyadék hőmérséklete/hűtés

A 3. ábra mutat be egy fűrt kútszóbe elhelyezett SQ/SQE szivattyút. A szivattyú üzemel.

A 3. ábrán láthatók a következők:

- Csőkút átmérő
- Szivattyú átmérő
- A szivattyúzott folyadék hőmérséklete
- Az áramlást a motor körül a szivattyú szívószűrőjéhez.

TM01 1375 4397



3. ábra

A motor megfelelő hűtése érdekében biztosítani kell, hogy a közeghőmérséklet semmilyen körülmények között ne haladja meg a 35 °C-ot.



A csőátmérőnek legalább 76 mm-nek kell lennie (kb. 3").

A motort mindig a kútszűrő fölé kell beépíteni. Ha köpenycsövet is használnak, a szivattyú tetszőlegesen építhető be a kúthoz képest.



A szivattyú ne üzemeljen zárt nyomócsőre 5 percnél hosszabb ideig. A zárt csőre üzemeléskor nincsen hűtés és fennáll mind a motor mind a szivattyú túlmelegedésének a veszélye.

Ha a szivattyú által szállított folyadék tényleges hőmérséklete meghaladja a megadott értéket, vagy ha az üzemi állapotok eltérnek a megadottól, a szivattyúnak le kell állnia. Kérjük ilyen esetben vegyék fel a kapcsolatot a Grundfosszal.

TM01 0518 1297

5. Villamos bekötés

5.1 Általános rész

A villamos bekötést villamos szakembernek kell elkészítenie a helyi áramszolgáltató előírásai szerint.

FIGYELMEZTETÉS

Áramütés

Halálos vagy súlyos személyi sérülés

- Mielőtt a szivattyún megkezdénék a munkát, győződjön meg arról, hogy a villamos betápot kikapcsolták és illetéktelen visszakapcsolás ellen biztosították.
- A szivattyút le kell földelni.
- A szivattyút az üzemeltetőnek biztosítania kell és külső hálózati kapcsolón át kell bekötnie. Gondoskodni kell arról, hogy az összes pólusra kiterjedő leválasztás esetén a nyitott érintkezők közti távolság (pólusonként) min. 3 mm legyen.
- Ha a motor kábel sérült, azt le kell cseréltetni egy Grundfos szervizben, vagy egy megfelelő képesítéssel rendelkező szakemberrel, hogy megelőzzük az áramütést.



A tápfeszültséget, a legnagyobb áramerősséget és a teljesítménytényezőt (PF) a motor adattáblájáról kell leolvasni.

A kívánt feszültség a Grundfos bűvár motoroknál a névleges feszültségtől folyamatos működéskor - 10 %/+ 6 %-al térhet el (beleértve a feszültségingadozást és a kábel veszteségét is).


FIGYELMEZTETÉS

Áramütés

Halálos vagy súlyos személyi sérülés

- Ha a szivattyút olyan villamos hálózatra csatlakoztatják, amelyben testzárlati megszakító is van kiegészítő biztonságként, akkor annak olyannak **kell** lennie amely pulzáló egyenfeszültséget tartalmazó komponens esetén is lekapcsol.



Az ilyen zárlatvédelmi kapcsolót a következő jel mutatja: .

A tápfeszültség:

1 x 200-240 V - 10 %/+ 6 %, 50/60 Hz, PE.

Az áramfelvétel csak RMS típusú műszerrel mérhető. Ha másféle műszerrel mérik, a mutatott érték el fog térni a tényleges értéktől.

Az SQ/SQE szivattyúknál 230 V, 50 Hz, feszültségnél általában 2,5 mA-es szivárgási áram mérhető. A szivárgási áram arányos a hálózati feszültséggel.

Az SQE és az SQE-NE szivattyúk csatlakoztathatók a CU 300 vagy CU 301 típusú kapcsoló dobozhoz.

A szivattyút semmiképpen se szabad külső frekvenciaváltóra rákötni.



5.2 Motorvédelem

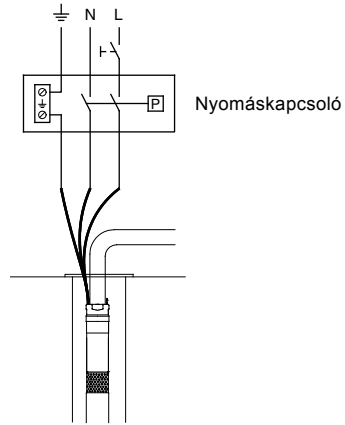
A szivattyúba be van építve a túlterhelési hővédelem, ezért külső védelmet nem kell használni.

5.3 A motor bekötése

A motorba be van építve az indító kapcsoló, ezért a 4. ábra szerint közvetlenül rákapcsolható a hálózatra, az indítást és leállítást például nyomáskapcsolóval vezérelve.



A nyomáskapcsolót a szivattyú által felvett legnagyobb áramerősségre kell kiválasztani.



4. ábra

6. Beépítés

6.1 Általános rész

FIGYELMEZTETÉS

Áramütés

Halálos vagy súlyos személyi sérülés



- Mielőtt a szivattyún megkezdénék a munkát, győződjön meg arról, hogy a villamos betápot kikapcsolták és illetéktelen visszakapcsolás ellen biztosították.



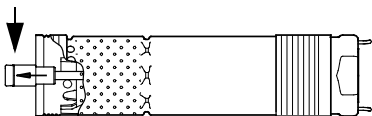
Nem szabad a motorkábelrel a szivattyút húzni vagy megemelni.

A szivattyúval szállított második adattáblát a beépítés helyéhez közel kell felerősíteni.

6.2 A szivattyú és a motor összeerősítése

A szivattyút és a motort a következő sorrendben kell összeerősíteni:

1. Fogd be a motort vízszintesen egy satuba az 5. ábra szerint.
2. Húzzuk ki a szivattyú tengelyét az 5. ábrának megfelelően.



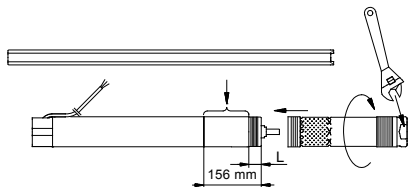
TM02 8425 5203

5. ábra

3. Zsírozd be a motor tengely végét a motorral szállított zsírral.
4. Csavarozd rá a szivattyú részt a motorra (55 Nm).

Vigyázat: A szivattyú tengelynek kapcsolódnia kell a motor tengelyhez.

Ehhez a szivattyú nyomócsonkon található a fogó részére lelapítás az 6. ábra szerint.



TM01 2854 2299

6. ábra

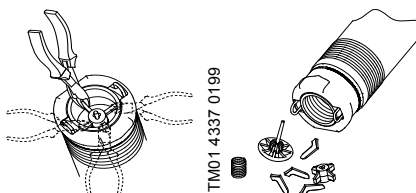
Motor (P2) [kW]	L [mm]
0,70	120
1,15	102
1,68	66
1,85	66

Ha a szivattyút jól szerelték rá a motorra, akkor nem lehet hézag a szivattyúrész és a motor között.

6.3 A visszacsapószelep eltávolítása

Ha egy szivattyúban nincs szükség a visszacsapószelepre, akkor azt a következőképpen lehet kiszerezni:

1. A szelepvezető lábakat kombináltfogóval vagy hasonló szerszámmal a 7. ábra szerint le kell vágni.
2. A szivattyút a fejrészsel lefelé kell fordítani, ekkor a levágott részek és a visszacsapószelep kiesnek a szivattyúból.
3. Ellenőrizni kell, hogy nem maradt-e a szivattyúban nem odavaló rész.



TM01 4337 0199

TM01 4338 0199

7. ábra



Az SQE-NE szivattyúknak nincsen beépített visszacsapószelep.

Szükség esetén egy Grundfos szervizben be lehet építtetni a visszacsapószelepet.

6.4 A kábel dugó csatlakoztatása a motorhoz

FIGYELMEZTETÉS

Aramütés

Halálos vagy súlyos személyi sérülés



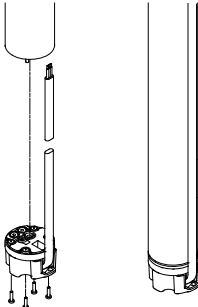
- A motor csatlakozóját a felhasználó semmilyen körülmények között ne távolítsa el.
- A kábelcsatlakozó beépítését vagy eltávolítását csak a Grundfos szerviz dolgozó, vagy hasonló képzettségű személyek végezhetik.

A következő leírás kizárólag szerviz szakemberek számára készült. A motor kábel cseréjénél vegyék figyelembe a [5.1 Általános rész](#) leíratait.

A motorral szállított kábel dugaszolót gyárilag beszírozták. Ellenőrizze, hogy a zsírzás megfelelő-e benne.

Az összezsírozás lépései a következők:

1. Ellenőrizze, hogy a kábel keresztmetszete és hossza megfelelő-e.
2. Ellenőrizze, hogy a helyi hálózat jól van-e leföldelve.
3. Ellenőrizze, hogy a motor aljzata tiszta és száraz-e. Győződjön meg róla, hogy a tömítés a helyén van.
4. Nyomja be a csatlakozódugót a motoron lévő aljzatba. A dugót nem lehet rosszul bekötni, lásd a [8. ábrát](#).



8. ábra

5. Helyezze be és rögzítse a négy csavart (1 - 1,5 Nm), lásd a [8. ábrát](#).

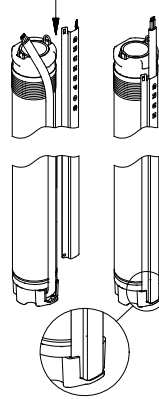
Ha a dugaszolót jól helyezték be, nem lehet hézag a motor és a kábel dugaszolója között.

TM02 9605 3504

6.5 A kábelvédő lemez feltétele

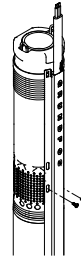
A kábelvédő lemez feltétele a következő lépésekből áll:

1. Győződjön meg arról, hogy a motor kábele belefekszik-e laposan a védőlemezbe.
2. Csúsztassa be a kábelvédő lemezt a kábelcsatlakozó kialakított vágatába. A kábelvédő lemez két füle kerüljön egy vonalra a szivattyú köpenyével a [9. ábra](#) szerint.



9. ábra

3. A két tartozékként szállított önmetszőcsavarral a kábelvédősínt a befolyósűrőre kell rögzíteni a [10. ábra](#) szerint.



10. ábra

TM02 9613 3504

TM01 4427 0299

6.6 A kábel méretezése

A Grundfos minden beépítéshez tud víz alá merülő kábelt szállítani.

A merülő kábelnek a keresztmetszete legyen elég nagyra választva ahhoz, hogy a **5.1 Általános rész** Általános részben leírt követelménynek eleget tegyenek.

Vigyázat

A kábelt a következő összefüggéssel kell méretezni:

$$q = \frac{I \times 2 \times 100 \times PF \times L \times \rho}{U \times \Delta U}$$

q = a merülőkábel keresztmetszete [mm²].

I = a motor által felvett legnagyobb áramerősség [A].

PF = 1,0.

L = a merülőkábel hossza [m].

ρ = fajlagos ellenállás: 0,02 [Ω mm²/m].

U = a névleges feszültség [V].

ΔU = a méretezési feszültségesés [%] = 4 %.

A 4 %-os feszültségesés az IEC 3-64 HD-384 sorozat szerinti.

A számítás a következő legnagyobb kábelhosszokat adja 240 V-os névleges feszültségnél:

Legnagyobb kábelhossz [m]

Motor (P2)	I_N	Kábel méretek					
		1,5 mm ²	2,1 mm ² / 14 AWG	2,5 mm ²	3,3 mm ² / 12 AWG	4 mm ²	6 mm ²
[kW]	[A]						
0,7	5,2	80	112	133	176	213	320
1,15	8,4	50	69	83	109	132	198
1,68	11,2	37	52	62	82	99	149
1,85	12	35	49	58	76	92	139

6.7 A merülőkábel toldása

Azt ajánljuk, hogy a motor kábelt és a vízalatti hosszabbító kábelt a KM típusú Grundfos kábeltoldó készlettel erősítsék össze.

KM típusú kábeltoldó készlet	
Keresztmetszet	Cikkszám
1,5 ... 6,0 mm ²	96021473

Nagyobb keresztmetszet esetén kérjük, vegye fel a Grundfoszal a kapcsolatot.

6.8 Nyomócső csatlakoztatás

Ha pl. láncos csőfogót használnak a felszállócső felszereléséhez, a szivattyút csak a nyomócsomon lévő lelapolásnál fogják meg.

Ha műanyag csövet csatlakoztatnak, a szivattyú és az első csőtag közé szorító csőkapcsolót kell beépíteni.

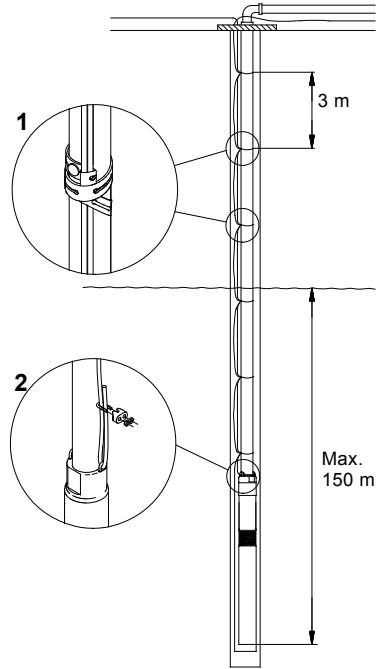


Ha műanyagcsövet használnak felszállócsőként, figyelembe kell venni a cső megnyúlását a terhelés hatására, amikor a szivattyú beépítési mélységét határozzák meg.

Ha karimás kötésű csöveket használnak, a karimákon legyen hasíték a kábel átvezetése és ha van, a vízszintérzékelő cső részére.

A 11. ábra bemutatja a szivattyú beépítését:

- Az 1 pozíció a kábel csőre kötése és távolsága a kötések között.
- A 2 pozíció a felfüggesztő huzal kötése.
- Legnagyobb megengedett beépítési mélység a nyugalmi vízszint alatt.



11. ábra

6.8.1 Kábelkötések

A kábelt a 11. ábra szerint 3 méterenként kell hozzákötni a csőhöz.

Műanyag cső használatakor a kötések között kissé lazára kell hagyni, hogy amikor a terhelés miatt a cső kitér, legyen hozzá lehetősége.

Karimás kötésű csövek használatakor a kábel szorító kötéseit mindig a karima felett és alatt kell elhelyezni.

6.8.2 Beépítési mélység

Ahogy a 11. ábra is mutatja, a nyugalmi vízszint alatt **legfeljebb** 150 m mélyre építhető be a szivattyú.

Az üzemi vízszint alatt a **legkisebb** beépítési mélység:

- **Függőleges beépítéskor:**
Indításkor és üzem közben a szivattyút mindig merőlegesen a vízszint alá.
- **Vízszintes beépítéskor:**
A szivattyút legalább 0,5 m mélyre kell az indítási és üzemi vízszint alá elhelyezni.
Ha fennállna iszap leülepedési veszély a szivattyú körül, akkor mindenképpen köpenycsőbe kell azt beépíteni.

6.8.3 A szivattyú besüllyesztése a kútszöbe

Biztonságból azt ajánljuk, hogy a szivattyút a 11. ábra 2. pozíció szerint függesszék terheletlen feszítő huzalra.

Erősítsük be a huzalt lazán, hogy terheletlen maradjon és a csőhöz rögzítsük huzalszorítóval.



A tartóhuzalt tilos a szivattyú és a nyomócső kiemelésére használni.



Semmiképpen ne eresszük le a szivattyút a motor kábelénél fogva.

7. Indítás

Győződjünk meg arról, hogy a kút képes olyan térfogatáram kitermelésére, amely megfelel a szivattyú vízszállításának.

Ne indítsa el addig a szivattyút, amíg nem merül teljesen folyadékszint alá.

Indítsa el a szivattyút és ne állítsa le addig, amíg a szivattyúzott folyadék teljesen tiszta s hogy csak a szivattyú részei és a visszacsapó szelep fojtása legyen rajta.

8. Üzemeltetés

8.1 A legkisebb folyadékszállítás

A motor szükséges hűtése miatt sohasem legyen kisebb a szivattyú térfogatárama mint 50 l/h.

Ha a térfogatáram csökken, annak az lehet az oka, hogy a szivattyú több vizet szállít, mint amennyit a kút képes szolgáltatni. A szivattyút ekkor le kell állítani és a hibát kijavítani.



A szivattyú szárazonfutási védelme csak a szivattyú megengedett üzemi tartományán belül működik.

8.2 Légüst kiválasztása, az előfeszítési nyomás és a nyomáskapcsoló beállítása

FIGYELMEZTETÉS

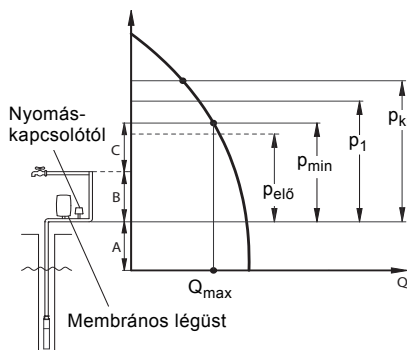


Túlnyomásos rendszerek

Halálos vagy súlyos személyi sérülés

- A berendezést a legnagyobb szivattyú nyomásra kell méretezni.

Miután a szivattyúba van építve az a lágyindító berendezés, ami 2 másodperc alatt futtatja fel a gépet, a nyomás a nyomáskapcsolón és a légüstben az indítás ideje alatt kisebb, mint a nyomáskapcsolón beállított (p_1) szivattyú bekapcsolási nyomás. Ez a nyomás a legkisebb (p_{min}) nyomás.
A p_{min} egyenlő a legmagasabb kifolyó csapolón kívánt legkisebb nyomás, hozzáadva a csap magasságát és a cső nyomásvesztését a légüstitől és nyomáskapcsolótól a kifolyóig, lásd a 12. ábrán: ($p_{min} = B + C$).



12. ábra

- A: A leszivott vízszint és a membrános légüst közötti emelés, megnövelve a légüstig tartó csővezetési veszteséggel.
B: A membrános légüst és a legmagasabb kifolyó közötti emelés, megnövelve a csővesztéssel.
C: Legkisebb igényelt nyomás a legmagasabban lévő csapolón.



Győződjön meg arról, hogy a kiválasztott szivattyú képes e nagyobb nyomást létesíteni, mint $P_{ki} + A$.

- $p_{elő}$: A membrános légüst előfeszítési nyomása.
 p_{min} : A kívánt legkisebb nyomás.
 p_1 : A szivattyú bekapcsolási nyomása a nyomáskapcsolón beállítva.
 p_{ki} : A szivattyú kikapcsolási nyomása a nyomáskapcsolón beállítva.
 Q_{max} : A legnagyobb térfogatáram a p_{min} -nél.

8.3 Az aknarendszer túlnyomása

A túlnyomás elleni védelem érdekében, építsen be egy nyomáshatároló szelepet az akna nyílása után folyásirányban. A nyomáshatároló szelep alapjele legyen legalább 30 psi (2,04 bar) értékkel nagyobb, mint a beállított nyomás.

Ha nyomáshatároló szelepet épít be, akkor javasoljuk, hogy csatlakoztassa azt egy megfelelő vízelvezető ponthoz.

A p_{\min} és Q_{\max} alapján az alábbi táblázatból meghatározható az a **legkisebb** membrános légüst térfogat, az előeszűrtési nyomás és a nyomáskapcsoló beállítása.

Szám példa:

$p_{\min} = 35$ m (vízoszlop), $Q_{\max} = 2,5$ m³/h.

Ezek alapján a táblázatból a következőket olvashatjuk le:

A legkisebb membrános légüst térfogat = 33 liter.

$P_{\text{elő}} = 31,5$ m vízoszlop.

$P_1 = 36$ m vízoszlop.

$P_{\text{ki}} = 50$ m vízoszlop.

P_{\min} [m]	Q_{\max} [m ³ /h]																$P_{\text{elő}}$ [m]	P_1 [m]	P_{ki} [m]		
	0,6	0,8	1	1,2	1,5	2	2,5	3	3,5	4	4,5	5	5,5	6	6,5	7				7,5	8
Membrános légüst térfogata [liter]																					
25	8	8	18	18	18	18	24	33	33	50	50	50	50	80	80	80	80	80	22,5	26	40
30	8	8	18	18	18	24	33	33	50	50	50	50	80	80	80	80	80		27	31	45
35	8	18	18	18	18	24	33	33	50	50	50	80	80	80	80	80			31,5	36	50
40	8	18	18	18	18	24	33	50	50	50	80	80	80	80	80				36	41	55
45	8	18	18	18	24	33	33	50	50	50	80	80	80	80					40,5	46	60
50	8	18	18	18	24	33	50	50	50	80	80	80	80						45	51	65
55	18	18	18	18	24	33	50	50	50	80	80	80							49,5	56	70
60	18	18	18	18	24	33	50	50	80	80	80	80							54	61	75
65	18	18	18	24	24	33	50	50	80	80	80	80							58,5	66	80

1 m vízoszlop = 0,098 bar.

8.4 Beépített védelmek

A motorba be van építve egy elektronikus egység, amely azt különféle állapotokban védi.

Túlterhelés esetében a beépített védelem 5 percre kikapcsolja a motort. Ez után megkísérli a visszakapcsolást.

Ha a szivattyút szárazonfutás miatt leállította, 5 perc múltán újra megkísérli az elindítást.

A szivattyú az újraindulás után 30 másodperccel újra leáll, ha a kút üres.

A szivattyú nyugtázása: a villamos áramot 1 perc időtartamra ki kell kapcsolni.

A motor védett a következő esetekben:

- szárazonfutás
- feszültségingadozás (6000 V-ig)
A villámcsapás-veszélyes körzetekben ajánlott külső villámvédelmet alkalmazni.
- túlfeszültség
- feszültség lehúzás
- túlterhelés
- túlmelegedés.

SQE szivattyúk/MSE 3 motorral:



A CU 300 vagy CU 301 alkalmazásával az MSE 3 motorok szárazonfutás védelme az adott beépítéshez alkalmazkodóan állítható.

9. Karbantartás és szerviz

A szivattyúk normál esetben karbantartást nem igényelnek.

Lerakodás és kopás előfordulhat bennük. Ilyen esetekhez szerviz-készlet és szerviz szerszámok kaphatók a Grundfostól. Kívánságra kapható a Grundfos szerviz kézikönyv is.

A szivattyúk szervizét a Grundfos központ szervize tudja elvégezni.

9.1 Elszennyeződött szivattyúk



Ha a szivattyút egészségre ártalmas vagy mérgező közegben használják, akkora szivattyút szennyezettnek kell tekinteni.

Ha a Grundfos kéri fel a szivattyú szervizelésére, értesíteni kell a szállított folyadék, stb. minden tulajdonságáról, mielőtt a szivattyú beérkezik a szervizbe. Ha ez nem történik meg, a Grundfos megtagadhatja a szivattyú átvételét a szervizelésre. Ezért a szerviz bármilyen bekapcsolásakor (függetlenül attól, hogy ki csinálja) be kell csatolni az adatokat a szállított folyadékról, ha a szivattyút egészségre ártalmas vagy mérgező folyadékban üzemeltették.

SQE-NE: Csak olyan szivattyúk küldhetők be a Grundfoshoz szervizre, amelyek mellé bizonyítják, hogy fertőtlenítették, vagyis a szivattyúk nem tartalmaznak egészségre ártalmas vagy mérgező folyadékot.

A személyek és a környezet egészségi károsodásának megelőzésére kérjük annak tanúsítását, hogy a szivattyú tiszta.

A Grundfosnak ezt a bizonyítványt a szivattyú beérkezése előtt kell megkapnia. Ha ez nem történik meg, a Grundfos visszautasíthatja a termék átvételét szervizelésre.

A szivattyú visszaküldési költségeit a felhasználóra hárítjuk át.

10. Hibakereső táblázat

VIGYÁZAT

Áramütés

Könnyű, vagy közepesen súlyos személyi sérülés



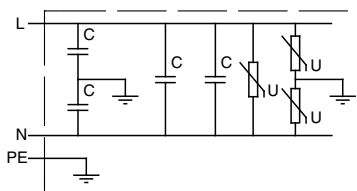
- Mielőtt a szivattyún megkezdénék a munkát, győződjön meg arról, hogy a tápfeszültséget kikapcsolták és illetéktelen visszakapcsolás ellen biztosították.

A hiba jellege	A hiba lehetséges okai	A hiba elhárítása
1. A szivattyú nem indul.	a) Az elektronika biztosítóka kiégett.	Cserélni a biztosítékot. Ha az új is kiég, a villamos berendezéseket és a víz alatti kábelt ellenőrizni kell.
	b) A motorvédelem vagy a feszültségről működő zárlatvédelem oldott le.	Kapcsoljuk vissza a megszakítót.
	c) Nincsen villamos betáp.	Lépjen érintkezésbe az áramszolgáltatóval.
	d) A motorvédelem oldott le túlterhelés miatt.	Ellenőrizze, hogy a motor vagy a szivattyú nem szorult-e be.
	e) A szivattyú vagy a kábele lett hibás.	Javítsa, cserélje a szivattyút vagy kábelét.
	f) Alacsony- vagy túlfeszültség lépett fel.	Ellenőrizze a villamos betápot.
2. A szivattyú forog, de nem szállít vizet.	a) A szakaszoló zár le van zárva.	Nyissuk ki a zárat.
	b) Nincs a kútban víz, vagy túl alacsony a vízszintje.	Lásd a 3 a)-nál.
	c) A visszacsapó szelep beszorult zárt állásban.	Húzza ki a szivattyút és tisztítsa vagy cserélje a visszacsapót.
	d) A szivószűrő eltömődött.	Húzza ki a szivattyút és tisztítsa meg a szűrőt.
	e) A szivattyú hibás.	Javíttassa vagy cserélje ki a szivattyút.
3. A szivattyú üzemel de kevés a szállítása.	a) A kút leszívása nagyobb, mint amire számítottak.	Növelje meg a szivattyú beépítési mélységét, fojtsa a szivattyút vagy cserélje kisebb teljesítményű típusra.
	b) A nyomócsőben lévő szelepek részben le vannak zárva vagy eldugulva.	Ellenőrizze és tisztítsa/cserélje a szelepeket, ha szükséges.
	c) A nyomócső részben elszűkült lerakódások miatt.	Tisztítsuk vagy cseréljük a nyomócsövet.
	d) A visszacsapó szelep résznyitási állásban beszorult.	Húzza ki a szivattyút és tisztítsa vagy cserélje a visszacsapót.
	e) A szivattyú és a felszállócső részben eldugult tisztátlanságtól.	Húzza ki a szivattyút. Ellenőrizze, tisztítsa vagy cserélje a szivattyút ha szükséges. Tisztítsa ki a csövet.
	f) A szivattyú hibás lett.	Javíttassa vagy cserélje a szivattyút.
	g) Szivárgás van a nyomócsőből.	Ellenőrizze és javítsa ki a lyukat.
	h) A felszállócső hibás.	Cserélje ki a csövet.
	i) Feszültségcsökkenés állt elő.	Ellenőrizze a villamos betápot.

A hiba jellege	A hiba lehetséges okai	A hiba elhárítása
4. Sűrűn indul és leáll a szivattyú.	a) Túl kicsi a nyomáskapcsolón beállított indítási és leállítási nyomás különbsége.	Növeljük meg a különbséget. De a leállítási nyomás ne haladja meg a légüst nyomásfokozatát és az indítási nyomás legyen elég nagy a biztonságos vízellátáshoz.
	b) Nem jól állították be a tartályban a szintkapcsolót vagy elektródákat.	Állítsa be a különbséget az elektródákon vagy a szintkapcsolókon, hogy megfelelő időközök érjen el a és kikapcsolási nyomások között. Lásd az automatikus szerkezetek beépítési és üzemeltetési utasításában. Ha az automatikákkal nem lehet az indítási/leállítási különbséget állítani, csökkenteni kell a szivattyú térfogatáramát fojtással.
	c) A visszacsapó szelep zárt állásban visszaereszt vagy félig nyitva beszorult.	Húzza ki a szivattyút és tisztítsa/cserélje a visszacsapót.
	d) A betáp feszültsége ingadozik.	Ellenőrizze a villamos betápot.
	e) Túl magas lett a motor hőmérséklete.	Ellenőrizze a víz hőmérsékletét.

10.1 Átütési szilárdság-vizsgálatok

SQ/SQE szivattyúk beépítésénél átütési szilárdság-vizsgálat végzése nem megengedett, mert a beépített elektronika károsodhat (lásd 13. ábra).



TM02_0689_5000

13. ábra

11. A tápfeszültség ellenőrzése

FIGYELMEZTETÉS

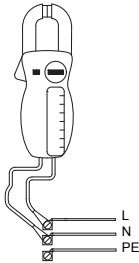
Áramütés

Halálos vagy súlyos személyi sérülés



- Mielőtt a szivattyún megkezdénék a munkát, győződjön meg arról, hogy a tápfeszültséget kikapcsolták és illetéktelen visszakapcsolás ellen biztosították.

1. Betáp feszültség



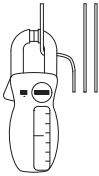
TM00 1371 4904

Mérje az (RMS) feszültséget a fázis és az N (nullvezető) között. Csatlakoztassa a feszültségmérőt a kapocsleéc csavarjaihoz.

Ha a motor terhelt a feszültség értékének a **5. Villamos bekötés** fejezetben megadott értékűnek kell lennie.

Ha a feszültség nagyon ingadozik az gyenge betápot jelent és a szivattyút le kell állítani hogy ne váljék hibássá.

2. Áramfelvétel



TM00 1372 5082

Mérje az áramfelvételt az RMS-el lehetőleg ott, ahol a szivattyú a motort legjobban terheli és az üzemállapot állandó.

A legnagyobb áramfelvételt lásd az adattáblán.

Ha az áramfelvétel meghaladja a legnagyobb felvétel értékét, annak a következő okai lehetnek:

- Rossz csatlakozás a kábelnél.
- Túl alacsony a feszültség, lásd az 1.-et.

12. Környezet

Kezelés, üzemeltetés, raktározás és szállítás során minden erre vonatkozó környezetvédelmi intézkedést be kell tartani, különösen ami a veszélyes anyagokra vonatkozik.

FIGYELMEZTETÉS

Korróziót okozó anyag

Halálos vagy súlyos személyi sérülés



- Ha a szivattyút kikapcsolják az üzemelésből, meg kell arról győződni, hogy nem maradt veszélyes folyadék a szivattyúban/motorban vagy a felszálló csőben, amely károsan hathat személyekre vagy a környezetre.

Ha nem biztosak a dologban, forduljanak a Grundfoshoz vagy a helyi hatóságokhoz.

13. Hulladékkezelés

A termék vagy annak részeire vonatkozó hulladékkezelés a környezetvédelmi szempontok betartásával történjen:

1. Vegyük igénybe a helyi hulladékgyűjtő vállalat szolgáltatását.
2. Ha ez nem lehetséges, konzultáljon a legközelebbi Grundfos vállalattal vagy szervizzel.

A műszaki változtatások joga fenntartva.

Traduzione della versione originale inglese

INDICE

	Pagina
1. Simboli utilizzati in questo documento	185
2. Caratteristiche generali	186
2.1 Applicazioni	186
3. Caratteristiche tecniche	187
3.1 Immagazzinamento	187
3.2 Livello di rumorosità	187
4. Preparazione	187
4.1 Rabbocco liquido motore	187
4.2 Requisiti di posizionamento	188
4.3 Raffreddamento/temperatura liquido pompato	188
5. Collegamenti elettrici	189
5.1 Caratteristiche generali	189
5.2 Protezione motore	189
5.3 Collegamento del motore	189
6. Installazione	190
6.1 Caratteristiche generali	190
6.2 Assemblaggio corpo pompa e motore	190
6.3 Rimozione della valvola di non-ritorno	190
6.4 Montaggio spina del cavo sul motore	191
6.5 Montaggio copricavo	191
6.6 Dimensionamento cavo	192
6.7 Cavo sommerso di alimentazione	193
6.8 Attacco tubazione	193
7. Primo avviamento	194
8. Funzionamento	194
8.1 Portata minima	194
8.2 Scelta del serbatoio a membrana, impostazione della pressione di precarica e del pressostato	194
8.4 Protezione incorporata	196
9. Manutenzione e assistenza	196
9.1 Pompe contaminate	196
10. Tabella di identificazione dei guasti	197
10.1 Controllo mediante megger	198
11. Verificare l'alimentazione elettrica	199
12. Ambiente	199
13. Smaltimento	199



Leggere questo documento prima dell'installazione. L'installazione e il funzionamento devono essere conformi alle normative locali vigenti e ai codici di buona pratica.



Questo prodotto può essere utilizzato da bambini di almeno 8 anni e da persone con ridotte capacità fisiche, sensoriali o mentali o con mancanza di esperienza e competenza purché siano sorvegliati o abbiano ricevuto istruzioni sull'utilizzo sicuro dell'apparecchio e ne comprendano i rischi.

I bambini non devono giocare con l'apparecchio. La pulizia e la manutenzione non devono essere svolte da bambini senza supervisione.

1. Simboli utilizzati in questo documento

PERICOLO



Indica una situazione pericolosa la quale, se non evitata, comporta la morte o gravi lesioni personali.

AVVERTENZA



Indica una situazione pericolosa la quale, se non evitata, potrebbe comportare la morte o gravi lesioni personali.

ATTENZIONE



Indica una situazione pericolosa la quale, se non evitata, potrebbe comportare lesioni personali di lieve o moderata entità.

Il testo che accompagna i tre simboli di pericolo PERICOLO, AVVERTENZA e ATTENZIONE è strutturato come segue:

TERMINOLOGIA DI INDICAZIONE

Descrizione del pericolo



Conseguenza della mancata osservanza dell'avvertenza.

- Azione per evitare il pericolo.



Un cerchio blu o grigio con un simbolo grafico bianco indica che deve essere intrapresa un'azione per evitare un rischio.



Un cerchio rosso o grigio con una barra diagonale, possibilmente con un simbolo grafico nero, indica che non deve essere intrapresa un'azione o deve essere arrestata.



La mancata osservanza di queste istruzioni potrebbe provocare danni alle apparecchiature o funzionamento irregolare.



Suggerimenti e consigli per agevolare il lavoro.

2. Caratteristiche generali

AVVERTENZA

Scossa elettrica



Morte o gravi lesioni personali

- Non Mettere in funzione la pompa quando le persone sono a contatto con l'acqua.

A pagina 412 di queste istruzioni di installazione e funzionamento, si troveranno delle copie delle targhette della pompa e del motore.

Prima di calare la pompa SQ/SQE nel pozzo, tale pagina va riempita con i dati mancanti.

Le istruzioni vanno tenute in un luogo asciutto vicino al sito dell'installazione per consultazioni future.

2.1 Applicazioni

Le pompe **SQ** e **SQE** sono state progettate per il pompaggio di liquidi non densi, puliti, non aggressivi, non esplosivi e non contenenti particelle solide, erba, fibre e sabbia in quantità maggiori ai 50 g/m³.

Applicazioni tipiche:

- approvvigionamento idrico per
 - uso domestico
 - impianti idrici di piccole dimensioni
 - piccoli sistemi di irrigazione.
- trasferimento di liquidi in serbatoi.
- aumento pressione.

Le pompe **SQE-NE** sono state progettate per il pompaggio di liquidi non densi, puliti, non esplosivi e non contenenti particelle solide, erba, fibre e sabbia in quantità maggiori ai 50 g/m³.

Queste pompe sono adatte per il pompaggio di acqua contaminata proveniente ad esempio da

- scarichi
- depositi chimici
- aree industriali
- stazioni di rifornimento di olio e benzina
- applicazioni ecologiche.

Le pompe **SQE-NE** possono anche essere utilizzate per operazioni di campionamento e monitoraggio e, previa consultazione con i tecnici Grundfos, possono essere utilizzate negli impianti di trattamento dell'acqua.

Informazione valida per tutti i modelli:

Il contenuto massimo di sabbia nell'acqua non deve superare i 50 g/m³. Una più alta concentrazione di sabbia ridurrà drasticamente la vita della pompa ed aumenterà il rischio di blocco e di intervento continuo delle protezioni con conseguente bruciatura del motore.



Se è necessario pompare liquidi con viscosità superiore a quella dell'acqua, si prega di contattare Grundfos.

Valori pH

SQ e SQE: da 5 a 9.

SQE-NE: si prega di contattare Grundfos.

Temperatura del liquido:

La temperatura del liquido pompato non deve eccedere i 35 °C.

3. Caratteristiche tecniche

Tensione di alimentazione:

1 x 200-240 V - 10 %/+ 6 %, 50/60 Hz, PE.
 Funzionamento sotto generatore di corrente:
 la tensione e frequenza di uscita del generatore deve essere costante e la potenza, come minimo, uguale alla P_1 [kW] del motore della pompa + 10 %.

Corrente di avviamento:

La corrente di avviamento del motore è uguale al più alto dei valori indicati sulla targhetta motore.

Fattore di potenza:

PF = 1.

Liquido motore:

Tipo SML 2. Vedere par. 4. [Preparazione](#).

Cavo motore:

1,5 m, 3 x 1,5 mm², PE.

Temperatura del liquido:

Massimo 35 °C.

Dimensione bocca pompa:

SQ 1, SQ 2, SQ 3: Rp 1 1/4.
 SQ 5, SQ 7: Rp 1 1/2.

Diametro pompa:

74 mm.

Diametro pozzo:

Minimo 76 mm.

Profondità di installazione:

Massimo 150 m sotto il livello statico dell'acqua.
 Vedere anche par. 6.8.2 [Profondità di installazione](#).

Peso netto:

Massimo 6,5 kg.

3.1 Immagazzinamento

Temperatura di immagazzinamento:
 da -20 °C a +60 °C.

3.1.1 Protezione antigelo

Se è necessario immagazzinare la pompa dopo l'uso, conservarla in un luogo non esposto al gelo.
 Il motore non deve essere immagazzinato se non è stato prima riempito con apposito liquido.

3.2 Livello di rumorosità

Il livello sonoro è inferiore ai limiti stabiliti dalla Direttiva EC 2006/42/EC relativa alle macchine.

4. Preparazione

I motori sommersi Grundfos MS 3 e MSE 3 sono dotati di cuscinetti lubrificati ad acqua. Non è necessaria ulteriore lubrificazione.

I motori sommersi vengono riempiti in fabbrica con uno speciale liquido motore Grundfos (tipo SML 2) antigelo fino ad una temperatura di -20 °C, idoneo a prevenire la formazione di batteri.

Il livello del liquido motore è determinante per la durata dei cuscinetti e di conseguenza per la vita del motore.

4.1 Rabbocco liquido motore

Se il liquido del motore si esaurisce o viene in parte perso, occorre rimettere nel motore il liquido Grundfos tipo SML 2.

Per riempire il motore, procedere come segue:

1. Rimuovere il copricavo e separare il corpo pompa dal motore.

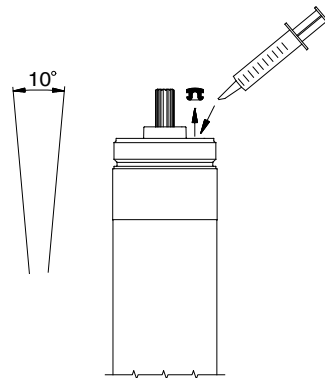


Fig. 1

2. Posizionare il motore verticalmente con un'inclinazione di circa 10 °.
 3. Svitare il tappo di riempimento mediante un cacciavite o un attrezzo simile.
 4. Iniettare il liquido nel motore con una siringa o un attrezzo simile.
 5. Per consentire la fuoriuscita dell'aria eventualmente presente, scuotere leggermente il motore.
 6. Riavvitare il tappo di riempimento e assicurarsi della sua tenuta.
 7. Assemblare il corpo pompa e il motore.
 8. Rimontare il copricavo.
- La pompa è ora pronta per l'installazione.

TM02 9606 3504

4.2 Requisiti di posizionamento

La pompa è stata progettata per l'installazione verticale e orizzontale. L'albero della pompa, tuttavia, **non deve mai** trovarsi al di sotto del piano orizzontale, vedere fig. 2.

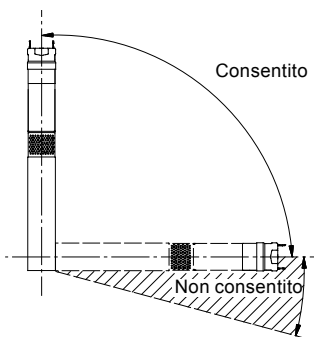


Fig. 2

Se la pompa è installata in posizione orizzontale, ad es. in vasca, essa deve essere dotata di una camicia di raffreddamento.

Per profondità di installazione, vedere par.

[6.8.2 Profondità di installazione.](#)

TM01 1375 4397

4.3 Raffreddamento/temperatura liquido pompato

La figura 3 mostra una pompa SQ/SQE installata in un pozzo. La pompa è in funzione.

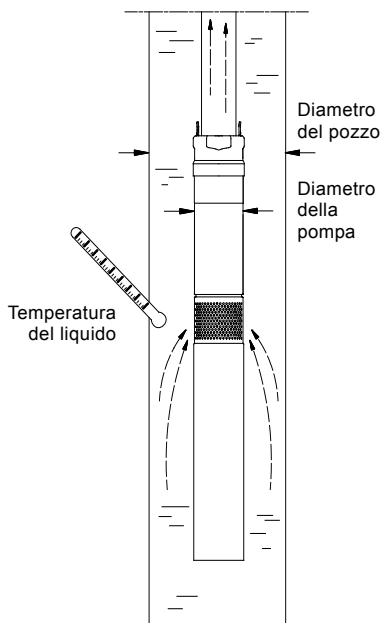


Fig. 3

Per garantire il necessario raffreddamento del motore, è importante mantenere la temperatura massima del liquido a 35 °C in tutte le condizioni.



Il diametro del pozzo deve essere di almeno 76 mm (circa 3").

Il motore deve sempre essere installato al di sopra del filtro del pozzo. Se viene utilizzata una camicia di raffreddamento, la pompa può essere installata liberamente nel pozzo.



La pompa non deve funzionare a bocca chiusa per più di 5 minuti. Senza circolazione di acqua c'è rischio di sovratemperatura del motore e della pompa.

Se la reale temperatura del liquido pompato supera il valore specificato o se le condizioni di funzionamento variano rispetto alle condizioni di funzionamento specificate, la pompa può arrestarsi.

In questo caso, si prega di contattare Grundfos.

TM01 0518 1297

5. Collegamenti elettrici

5.1 Caratteristiche generali

Il collegamento elettrico va eseguito da personale qualificato e, conformemente alla normativa vigente.

AVVERTENZA

Scossa elettrica

Morte o gravi lesioni personali

- Prima di operare sulla pompa, accertarsi di avere tolto l'alimentazione elettrica e che non possa essere accidentalmente ripristinata.
- Collegare a terra la pompa.
- La pompa deve essere collegata ad un interruttore di rete esterno con una distanza minima fra i contatti di 3 mm su tutti i poli.
- Se il cavo motore è danneggiato, deve essere sostituito da Grundfos o da un'officina di riparazione autorizzata.



Sulla targhetta del motore sono riportati la tensione, la corrente nominale massima e il fattore di potenza (PF).

La tensione di alimentazione dei motori sommersi Grundfos, misurata ai morsetti motore durante il funzionamento, deve essere del - 10 %/+ 6 % della tensione nominale.


AVVERTENZA

Scossa elettrica

Morte o gravi lesioni personali

- Se la pompa è alimentata da una rete elettrica dove è presente un interruttore differenziale (ELCB) come ulteriore protezione, tale interruttore **deve** intervenire quando siano presenti correnti verso terra con componente continua (correnti DC pulsanti).



L'interruttore differenziale **deve** essere contrassegnato con il simbolo seguente: .

Tensione di alimentazione:

1 x 200-240 V - 10 %/+ 6 %, 50/60 Hz, PE.

L'assorbimento di corrente può venire misurato solo con strumenti in grado di effettuare letture di valori RMS. In caso vengano utilizzati altri strumenti, il valore rilevato differirà da quello effettivo.

Nelle pompe SQ/SQE, è tipico rilevare una dispersione di corrente di 2,5 mA a 230 V, 50 Hz.

La dispersione di corrente è proporzionale al voltaggio erogato.

Le pompe SQE e SQE-NE devono essere collegate all'unità di controllo CU 300 o CU 301 e non devono mai essere alimentate tramite avviatore dotato di condensatore o altra scatola di controllo diversa dalla CU 300 o CU 301.

La pompa non deve mai essere collegata ad un convertitore di frequenza esterno.



5.2 Protezione motore

Il motore è dotato di una protezione da sovraccarico termico e non richiede ulteriore protezione.

5.3 Collegamento del motore

Il motore è dotato di un dispositivo di avviamento e può quindi essere collegato direttamente all'alimentazione di rete.

L'avvio e l'arresto della pompa vengono effettuati normalmente mediante un pressostato, vedere fig. 4.



Il pressostato deve essere dimensionato per sopportare l'ampereaggio massimo della pompa a cui è collegato.

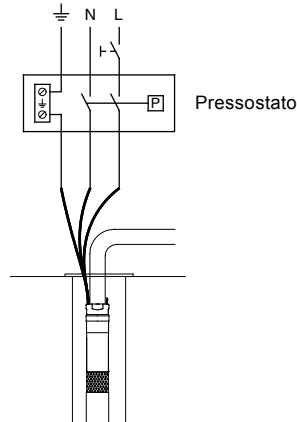


Fig. 4

6. Installazione

6.1 Caratteristiche generali

AVVERTENZA

Scossa elettrica

Morte o gravi lesioni personali



- Prima di operare sulla macchina, assicurarsi di avere tolto l'alimentazione elettrica e che non possa essere accidentalmente ripristinata.



Non movimentare la pompa per mezzo dei cavi di alimentazione.

La targhetta dei dati fornita in dotazione con la pompa va applicata vicino al sito dell'installazione.

6.2 Assemblaggio corpo pompa e motore

Per assemblare il corpo pompa e il motore, procedere come segue:

1. inserire il motore orizzontalmente in una morsa e serrare, vedere fig. 6.
2. Tirare l'albero della pompa fuori fino alla posizione mostrata nella fig. 5.

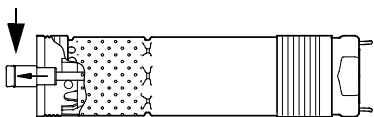


Fig. 5

3. Ingrassare l'estremità dell'albero motore con il grasso fornito in dotazione.
4. Avvitare il corpo pompa sul motore (55 Nm).
Attenzione: L'albero della pompa deve essere collegato con l'albero del motore.
Servirsi di una chiave opportuna che imbrocchi sui piani dell'estremità del corpo pompa opposta al motore, vedere fig. 6.

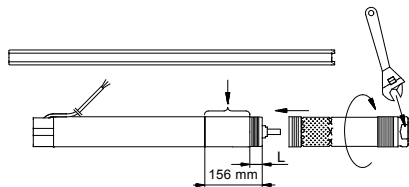


Fig. 6

Motore (P2) [kW]	L [mm]
0,70	120
1,15	102
1,68	66
1,85	66

Se il corpo pompa e il motore sono assemblati correttamente, tra essi non deve rimanere alcuno spazio.

6.3 Rimozione della valvola di non-ritorno

Se è richiesta una pompa senza valvola di non-ritorno, la valvola può venire rimossa come segue:

1. Tagliare il supporto della sede valvola con una pinza tagliafilì o attrezzo similare, vedere fig. 7.
2. Rovesciare la pompa.
3. Controllare che tutti i pezzi mobili cadano fuori dalla pompa.

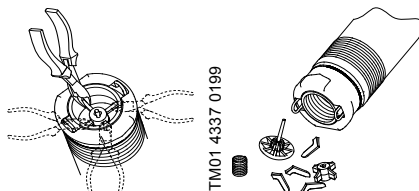


Fig. 7



La SQE-NE è fornita senza valvola di non-ritorno.

La valvola di non ritorno può essere eventualmente installata presso una officina di assistenza Grundfos.

6.4 Montaggio spina del cavo sul motore

AVVERTENZA

Scossa elettrica

Morte o gravi lesioni personali



- La spina del motore deve essere rimossa solo da personale qualificato.
- Il cavo, con la spina, deve essere collegato o rimosso dal personale Grundfos o dai Service Partners autorizzati.

La descrizione seguente è rivolta quindi solo a personale qualificato. In caso di sostituzione del cavo motore, vedere il paragrafo [5.1 Caratteristiche generali](#).

La spina del cavo fornita in dotazione con il motore viene ingrassata in fabbrica. Controllare che il lubrificante apposto sia sempre presente.

Per inserire la spina, procedere come segue:

1. Controllare che il cavo sia del tipo corretto e abbia sezione e lunghezza corrette.
2. Controllare che il collegamento di terra sia presente ed efficiente.
3. Controllare che la presa del motore sia pulita e asciutta. Assicurarsi che la guarnizione mobile sia ben installata.
4. Inserire la spina nell'attacco del motore. La spina non può essere inserita in modo errato avendo un unico modo di montaggio, vedere fig. 8.

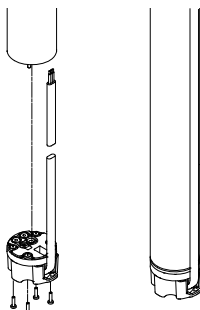


Fig. 8

5. Mettere e avvitare le 4 viti (1 - 1,5 Nm), vedere fig. 8.

Una volta montata la spina, non deve rimanere spazio tra il motore e la spina.

TM02 9605 3504

6.5 Montaggio copricavo

Per applicare il copricavo, procedere nel modo seguente:

1. Assicurarsi che il cavo sommerso sia ben disteso all'interno del copricavo.
2. Mettere la protezione del cavo nell'incavo della presa del cavo. Innestare i due lembi del copricavo nel bordo superiore del corpo pompa, vedere fig. 9.

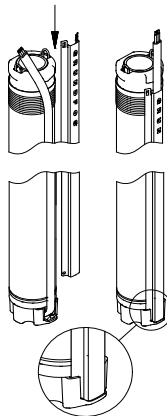


Fig. 9

3. Fissare il copricavo alla griglia di aspirazione con le due viti autofilettanti fornite in dotazione, vedi fig. 10.

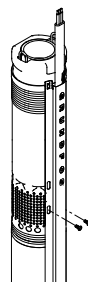


Fig. 10

TM02 9613 3504

TM01 4427 0299

6.6 Dimensionamento cavo

Grundfos fornisce cavi sommersi per qualunque tipo di installazione.

La sezione del cavo sommerso deve essere tale da soddisfare i requisiti di tensione specificati nella sezione

Attenzione

[5.1 Caratteristiche generali.](#)

I valori contenuti nella tabella riportata in basso sono calcolati in base alla formula seguente:

$$q = \frac{I \times 2 \times 100 \times PF \times L \times \rho}{U \times \Delta U}$$

q = sezione del cavo sommerso [mm²].

I = corrente massima nominale del motore [A].

PF = 1,0.

L = lunghezza del cavo sommerso [m].

ρ = resistenza specifica: 0,02 [Ωmm²/m].

U = tensione nominale [V].

ΔU = calo di tensione [%] = 4 %.

Il calo di tensione del 4 % è conforme alle norme IEC 3-64, serie HD-384.

Dal calcolo scaturiscono le seguenti lunghezze massime del cavo, ad una tensione di alimentazione di 240 V:

Lunghezza massima del cavo [m]							
Motore (P2)	I _N [A]	Grandezza del cavo					
		1,5 mm ²	2,1 mm ² / 14 AWG	2,5 mm ²	3,3 mm ² / 12 AWG	4 mm ²	6 mm ²
[kW]							
0,7	5,2	80	112	133	176	213	320
1,15	8,4	50	69	83	109	132	198
1,68	11,2	37	52	62	82	99	149
1,85	12	35	49	58	76	92	139

6.7 Cavo sommerso di alimentazione

Si raccomanda di giuntare il cavo del motore mediante il kit di giunzione Grundfos, tipo KM.

Kit per la giunzione dei cavi, tipo KM

Sezione del cavo	Codice prodotto
1,5 a 6,0 mm ²	96021473

Per sezioni di dimensioni maggiori, si prega di contattare Grundfos.

6.8 Attacco tubazione

Quando si collega il tubo di mandata alla pompa, utilizzare una chiave a catena che deve stringere la pompa solo sulla camera di mandata.

Quando si utilizzano tubi in plastica, si deve utilizzare un raccordo a compressione tra la pompa e la prima sezione di tubo.



Nelle pompe collegate a tubi in plastica, si deve considerare l'espansione dei tubi sotto carico. I tubi in plastica devono essere dimensionati per sopportare la pressione massima della pompa.

Quando si utilizzano tubi flangiati, è necessario ricavare nella flangia stessa, una cava che permetta il passaggio del cavo sommerso.

La figura 11 mostra:

- la posizione delle fascette di fissaggio dei cavi, pos. 1, e distanza tra le fascette.
- il montaggio della fune di sicurezza, pos. 2.
- la massima profondità di installazione al di sotto del livello statico dell'acqua.

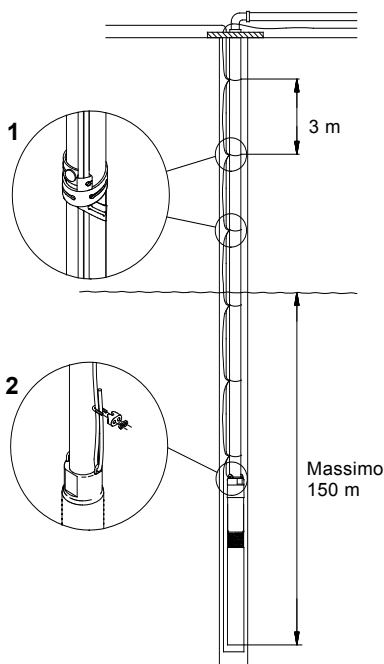


Fig. 11

6.8.1 Fascette di fissaggio cavi

Le fascette di fissaggio dei cavi vengono applicate normalmente ogni 3 metri, vedere fig. 11.

Quando si connettono tubi in plastica, è necessario lasciare dello spazio tra una fascetta e il tubo in quanto i tubi in plastica si espandono quando sono in pressione.

Quando si utilizzano tubi flangiati, le fascette vanno applicate al di sopra e al di sotto di ciascun giunto.

TM01 0480 4397

6.8.2 Profondità di installazione

Max. profondità di installazione sotto il livello statico dell'acqua: 150 m, vedi fig. 11.

Min. profondità di installazione sotto il livello dinamico dell'acqua:

- **Installazione verticale:**
All'avviamento e durante il funzionamento la pompa deve essere completamente sommersa dall'acqua.
- **Installazione orizzontale:**
La pompa deve essere installata e funzionare ad almeno 0,5 m sotto il livello dinamico dell'acqua. Nel caso ci sia rischio che la pompa venga coperta dal fango, la pompa deve essere dotata di camicia di raffreddamento.

6.8.3 Installazione della pompa nel pozzo

Si raccomanda di fissare la pompa mediante una fune di sicurezza che non sia tesa, vedere fig. 11, pos. 2.

Fissarla all'imbocco del pozzo mediante fermacavi.



La fune di sicurezza non deve essere utilizzata per l'estrazione della pompa e della tubazione di mandata dal pozzo.



Non movimentare la pompa mediante il cavo del motore.

7. Primo avviamento

Assicurarsi che il pozzo abbia una capacità d'acqua minima corrispondente alla portata della pompa scelta.

Non avviare la pompa fino a quando essa non sia completamente sommersa dal liquido.

Avviare la pompa e mantenerla in funzione sino a quando il liquido pompato non fuoriesca perfettamente pulito, altrimenti potrebbero verificarsi occlusioni della valvola di non ritorno e intasamenti della pompa.

8. Funzionamento

8.1 Portata minima

Per assicurare il corretto raffreddamento del motore, la portata minima non va mai impostata su un valore inferiore a 50 l/h.

Un calo di portata improvviso potrebbe essere stato causato dal fatto che la pompa sta pompando più acqua di quanta il pozzo possa fornirne. E' necessario, allora, fermare la pompa e modificare la portata, agendo sulla valvola di mandata, in accordo alle caratteristiche del pozzo.



Fermo restando quanto detto nella nota della sezione 5.2 *Protezione motore*, la protezione contro la marcia a secco della pompa è efficace solo all'interno del campo di lavoro nominale.

8.2 Scelta del serbatoio a membrana, impostazione della pressione di precarica e del pressostato

AVVERTENZA

Impianto pressurizzato

Morte o gravi lesioni personali



- L'impianto deve poter sopportare la massima pressione che la pompa può erogare.

Poiché la pompa dispone di un sistema di avviamento morbido (soft-start) con una rampa di accelerazione di 2 secondi, la pressione rilevata dal pressostato nel serbatoio a membrana è inferiore al valore di attacco ($P_{attacco}$) pretarato sul pressostato. Questa pressione, inferiore al valore di attacco, viene definita "pressione minima" (P_{min}).

P_{min} è uguale al valore minimo della pressione desiderata all'ultimo rubinetto più il dislivello e la perdita di carico nel tratto di tubo compreso fra il pressostato del serbatoio a membrana e il rubinetto più alto ($P_{min} = B + C$), vedere fig. 12.

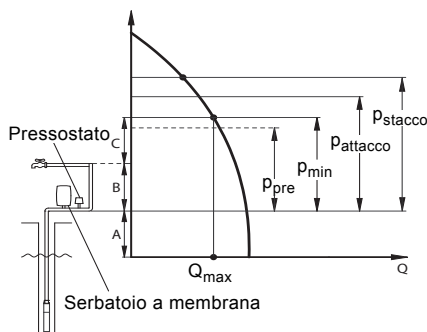


Fig. 12

- A: Prevalenza più perdite di carico dal livello dinamico dell'acqua fino al serbatoio precaricato.
- B: Prevalenza più perdita di carico dal serbatoio precaricato al rubinetto più alto.
- C: Valore minimo della pressione al rubinetto più alto.



Assicurarsi che la pompa selezionata possa erogare una pressione superiore a $P_{stacco} + A$.

- P_{pre} : Pressione di precarica del serbatoio a membrana.
- P_{min} : Valore di pressione minimo desiderato.
- $P_{attacco}$: Valore di pressione di attacco tarato sul pressostato.
- P_{stacco} : Valore di pressione di stacco tarato sul pressostato.
- Q_{max} : Massima portata al valore P_{min} della pressione.

8.3 Sovraccarico pressione impianto per pozzo

Per garantire la protezione contro la sovrappressione, installare una valvola di sfiato della pressione a valle della testa pozzo. Il setpoint della valvola di sfiato della pressione deve essere almeno 30 psi sopra l'impostazione della pressione.

Se si installa una valvola di sfiato, si consiglia di collegarla ad un punto di scarico adeguato.

Nella tabella sottostante l'individuazione di p_{\min} e Q_{\max} consente la selezione del serbatoio a membrana di **minimo** volume, il valore della pressione di precarica e i valori di pressione di attacco - stacco del pressostato:

Esempio:

$p_{\min} = 35$ m di prevalenza, $Q_{\max} = 2,5$ m³/h.

Sulla base di questi dati dalla tabella deduciamo i seguenti valori:

Dimensione **minima** del serbatoio a membrana = 33 l.

$p_{\text{pre}} = 31,5$ m.

$p_{\text{attacco}} = 36$ m.

$p_{\text{stacco}} = 50$ m.

P_{\min} [m]	Q_{\max} [m ³ /h]																P_{pre} [m]	$P_{\text{att.}}$ [m]	P_{stacco} [m]		
	0,6	0,8	1	1,2	1,5	2	2,5	3	3,5	4	4,5	5	5,5	6	6,5	7				7,5	8
Dimensione del serbatoio a membrana [l]																					
25	8	8	18	18	18	18	24	33	33	50	50	50	50	80	80	80	80	80	22,5	26	40
30	8	8	18	18	18	24	33	33	50	50	50	50	80	80	80	80	80		27	31	45
35	8	18	18	18	18	24	33	33	50	50	50	80	80	80	80	80			31,5	36	50
40	8	18	18	18	18	24	33	50	50	50	80	80	80	80	80				36	41	55
45	8	18	18	18	24	33	33	50	50	50	80	80	80	80					40,5	46	60
50	8	18	18	18	24	33	50	50	50	80	80	80	80						45	51	65
55	18	18	18	18	24	33	50	50	50	80	80	80							49,5	56	70
60	18	18	18	18	24	33	50	50	80	80	80	80							54	61	75
65	18	18	18	24	24	33	50	50	80	80	80	80							58,5	66	80

1 m di prevalenza = 0,098 bar.

8.4 Protezione incorporata

Tenendo sempre presente quanto detto nella sezione **5.2 Protezione motore**, la pompa è dotata di una protezione elettronica incorporata in grado di salvaguardare il motore in diverse situazioni.

In caso di sovraccarico la protezione arresta il motore per 5 minuti. Trascorso questo periodo la pompa si riavvia.

Dopo una fermata dovuta ad una marcia a secco la pompa tenta di riavviarsi dopo 5 minuti.

Se la pompa riparte ed il pozzo è secco, la pompa si arresterà dopo 30 secondi.

Per resettare la pompa manualmente occorre togliere l'alimentazione elettrica per 1 minuto.

La protezione elettronica incorporata interviene in caso di:

- marcia a secco
- picchi di tensione (fino a 6000 V)
Nelle zone con alta intensità di fulmini, è richiesta una protezione esterna contro i fulmini.
- sovratensione
- sottotensione
- sovraccarico
- sovratemperatura.

Pompe SQE/Motori MSE:



Con il CU 300 o CU 301, il limite di marcia a secco nei motori MSE 3 può essere regolato in funzione dell'applicazione.

9. Manutenzione e assistenza

Normalmente le pompe non necessitano di manutenzione periodica.

Tuttavia è possibile che si verifichino usura di componenti e deposito di impurità. Per ovviare a tali inconvenienti sono disponibili, presso Grundfos, kit di manutenzione e attrezzi per la manutenzione.

La manutenzione può venire eseguita presso i centri assistenza Grundfos autorizzati.

9.1 Pompe contaminate



Se una pompa è stata utilizzata con un liquido nocivo alla salute o tossico, la pompa viene classificata come contaminata.

Nel richiedere a Grundfos di effettuare assistenza sulla pompa, è necessario fornire dettagli sul liquido pompato, *prima* ancora che la pompa venga inviata al servizio di assistenza. In caso contrario, Grundfos può rifiutarsi di accettare la pompa per eseguire la manutenzione.

Comunque, ogni richiesta di manutenzione (non importa a chi sia indirizzata) deve contenere dettagli sul liquido pompato, nel caso esso sia tossico o pericoloso per la salute.

SQ-NE: solo le pompe certificate come non contaminate, ad esempio le pompe non contenenti liquidi nocivi e/o tossici, possono essere inviate a Grundfos per manutenzione.

Al fine di evitare danni a persone e all'ambiente, ogni pompa deve essere certificata come pulita prima di essere inviata alla manutenzione.

Inviare tale certificazione a Grundfos prima di spedire la pompa. Grundfos si riserva il diritto di respingere le pompe non dotate di tale certificazione.

Eventuali spese di rispedizione saranno a carico del cliente.

10. Tabella di identificazione dei guasti

ATTENZIONE

Scossa elettrica



Lesioni personali di lieve o moderata entità

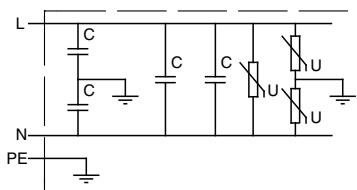
- Prima di operare sulla macchina, assicurarsi di avere tolto l'alimentazione elettrica e che non possa essere accidentalmente ripristinata.

Guasto	Causa	Rimedio
1. Non si riesce ad avviare la pompa.	a) I fusibili sono bruciati.	Sostituire i fusibili bruciati. Se anche i nuovi si bruciano, è necessario controllare l'installazione elettrica e il cavo sommerso.
	b) L'interruttore differenziale (ELCB) è intervenuto.	Riarmare l'interruttore differenziale.
	c) Manca la corrente elettrica.	Contattare l'azienda dell'energia elettrica.
	d) La protezione incorporata è intervenuta a causa di un sovraccarico.	Controllare se vi è un blocco nel motore o nella pompa.
	e) La pompa o il cavo sommerso sono danneggiati.	Riparare o sostituire la pompa/il cavo.
	f) Si è verificata sovratensione o sottotensione.	Controllare l'alimentazione elettrica.
2. La pompa funziona ma non fornisce acqua.	a) La valvola sulla mandata è chiusa.	Aprire la valvola.
	b) Nel pozzo manca l'acqua oppure il livello è troppo basso.	Controllare il punto 3 a).
	c) La valvola di non ritorno è bloccata in posizione di chiusura.	Estrarre la pompa e pulire o sostituire la valvola.
	d) Il filtro di aspirazione è ostruito.	Estrarre la pompa e pulire il filtro.
	e) La pompa è in avaria.	Riparare/sostituire la pompa.
3. La pompa funziona con portata ridotta.	a) L'abbassamento del livello dinamico del pozzo è superiore al previsto.	Aumentare la profondità di installazione della pompa, oppure parzializzare la valvola sulla mandata, oppure sostituire la pompa con un modello avente portata inferiore.
	b) Le valvole del tubo di mandata sono in parte chiuse/bloccate.	Controllare e pulire/sostituire le valvole, se necessario.
	c) Il tubo di mandata è in parte ostruito da impurità.	Pulire/sostituire il tubo di mandata.
	d) La valvola di non ritorno della pompa è in parte bloccata.	Estrarre la pompa e controllare/sostituire la valvola.
	e) La pompa e il tubo montante sono in parte ostruiti da impurità (ossidi ferrosi).	Estrarre la pompa. Controllare e pulire o sostituire la pompa, se necessario. Pulire i tubi.
	f) La pompa è in avaria.	Riparare/sostituire la pompa.
	g) Perdita nelle tubazioni.	Controllare e riparare le tubazioni.
	h) Il tubo montante è difettoso.	Sostituire il tubo montante.
	i) Si è verificata sottotensione.	Controllare l'alimentazione elettrica.

Guasto	Causa	Rimedio
4. Avvii e arresti frequenti.	a) Il differenziale del pressostato tra le pressioni di avvio e arresto è troppo basso.	Aumentare il differenziale. Tuttavia, la pressione di arresto non deve eccedere la pressione di esercizio e la pressione di avvio deve essere sufficientemente elevata da assicurare la fornitura d'acqua.
	b) In applicazioni che riguardano lo svuotamento/riempimento di una vasca o cisterna, i trasduttori di livello dell'acqua o gli interruttori di livello nel bacino non sono stati installati correttamente.	Regolare gli intervalli dei trasduttori/interruttori di livello per far sì che trascorra un lasso di tempo sufficiente tra l'inserimento e il disinserimento della pompa. Per ulteriori informazioni sui dispositivi automatici utilizzati, consultare le istruzioni di installazione e funzionamento. Se gli intervalli tra l'avvio e l'arresto non possono essere modificati, la portata della pompa può essere ridotta parzializzando la valvola sulla mandata.
	c) La valvola di non ritorno perde oppure si blocca a metà dell'apertura.	Estrarre la pompa e pulire/sostituire la valvola di non ritorno.
	d) La tensione di alimentazione è instabile.	Controllare l'alimentazione elettrica.
	e) La temperatura del motore è troppo elevata.	Controllare la temperatura dell'acqua.

10.1 Controllo mediante megger

Non è ammesso il controllo mediante megger di un impianto che comprende una pompa SQ/SQE poiché si potrebbe danneggiare l'elettronica incorporata, vedere fig. 13.



TM02.0689 5000

Fig. 13

11. Verificare l'alimentazione elettrica

AVVERTENZA

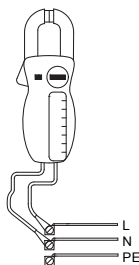
Scossa elettrica



Morte o gravi lesioni personali

- Prima di operare sulla macchina, assicurarsi di avere tolto l'alimentazione elettrica e che non possa essere accidentalmente ripristinata.

1. Tensione di alimentazione



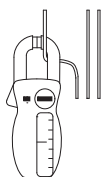
TM00 1371 4904

Misurare la tensione (RMS) tra la fase e il neutro. Collegare il voltmetro ai terminali della connessione.

Quando il motore è alimentato e collegato alla pompa, la tensione deve rientrare nel campo di variazione specificato nella sezione **5. Collegamenti elettrici**.

Considerevoli variazioni nella tensione di alimentazione indicano che l'alimentazione elettrica è insufficiente e che la pompa va arrestata fino alla riparazione del guasto.

2. Assorbimento di corrente



TM00 1372 5082

Misurare la corrente (RMS) mentre la pompa funziona ad una prevalenza costante (se possibile, alla portata alla quale il motore è maggiormente sotto carico). Per la corrente massima, vedere la targhetta.

Se la corrente eccede la corrente a pieno carico, è possibile che si siano verificati i seguenti guasti:

- Collegamento non corretto ai conduttori, forse in corrispondenza del giunto.
- Tensione di alimentazione troppo bassa, vedere al punto 1.

12. Ambiente

Durante la movimentazione, il funzionamento, l'immagazzinamento e il trasporto, è necessario rispettare tutte le norme per la tutela ambientale relative alla movimentazione di materiali a rischio.

AVVERTENZA

Sostanza corrosiva

Morte o gravi lesioni personali



- Quando si arresta la pompa, è necessario garantire che nella pompa, nel motore e nel tubo montante non sia rimasto alcun materiale nocivo e rischioso per le persone e per l'ambiente.

In caso di dubbio, si prega di contattare Grundfos o le autorità locali competenti.

13. Smaltimento

Lo smaltimento di questo prodotto o di parte di esso deve essere effettuato in modo consono:

1. Usare i sistemi locali, pubblici o privati, di raccolta dei rifiuti.
2. Nel caso in cui non fosse possibile, contattare Grundfos o l'officina di assistenza autorizzata più vicina.

Soggetto a modifiche.

Lietuviškai (LT) Įrengimo ir naudojimo instrukcija

Originalios angliškos versijos vertimas

TURINYS

	Puslapis
1. Šiame dokumente naudojami simboliai	200
2. Bendri nurodymai	201
2.1 Paskirtis	201
3. Techniniai duomenys	202
3.1 Laikymas	202
3.2 Garso slėgio lygis	202
4. Paruošimas	202
4.1 Variklio skysčio papildymas	202
4.2 Galimos siurblio padėtys	203
4.3 Skysčio temperatūra ir aušinimas	203
5. Elektros maitinimo prijungimas	204
5.1 Bendri nurodymai	204
5.2 Variklio apsauga	204
5.3 Variklio prijungimas	204
6. Įrengimas	205
6.1 Bendri nurodymai	205
6.2 Siurblio dalies ir variklio sujungimas	205
6.3 Atbulinio vožtuvo išėmimas	205
6.4 Kabelio jungties tvirtinimas prie variklio	206
6.5 Apsauginio kabelio lovelio tvirtinimas	206
6.6 Kabelio matmenys	207
6.7 Panardinamojo nuleidžiamo kabelio tvirtinimas	208
6.8 Vamzdžių sujungimas	208
7. Paleidimas	209
8. Eksploatavimas	209
8.1 Minimalus našumas	209
8.2 Diafragminės talpos parinkimas ir pradinio slėgio bei slėginio jungiklio nustatymas	209
8.4 Vidinė apsauga	211
9. Priežiūra ir remontas	211
9.1 Užteršti siurbliai	211
10. Gedimų paieškos lentelė	212
10.1 Varžos tarp apvijų matavimas megaometru	213
11. Elektros maitinimo patikrinimas	214
12. Aplinkosauga	214
13. Atliekų tvarkymas	214



Prieš produkto įrengimą perskaitykite šį dokumentą. Produkto įrengimo ir naudojimo metu reikia laikytis vietinių reikalavimų ir visuotinai priimtų geros praktikos taisyklių.



Šį įrenginį gali naudoti 8 metų ir vyresni vaikai bei asmenys su sumažėjusiais fiziniais, jutimaisiais ar protiniais gebėjimais, arba neturintys patirties ir žinių, jei jie yra prižiūrimi arba yra išmokyti saugiai naudoti įrenginį ir supranta su tuo susijusius pavojus.

Draudžiama vaikams su šiuo įrenginiu žaisti. Draudžiama vaikams be priežiūros atlikti valymo ir priežiūros darbus.

1. Šiame dokumente naudojami simboliai

PAVOJUS



Nurodo pavojingą situaciją, kurios neišvengus, pasekmės bus mirtis arba sunkus kūno sužalojimas.

ĮSPĖJIMAS



Nurodo pavojingą situaciją, kurios neišvengus, pasekmės gali būti mirtis arba sunkus kūno sužalojimas.

DĖMESIO



Nurodo pavojingą situaciją, kurios neišvengus, pasekmės gali būti lengvas arba vidutinis kūno sužalojimas.

Prie trijų pavojaus simbolių – PAVOJUS, ĮSPĖJIMAS ir DĖMESIO – pateikiamo teksto struktūra yra tokia:

SIGNALINIS ŽODIS



Pavojaus aprašymas

Įspėjimo ignoravimo pasekmės.
- Pavojaus išvengimo veiksmai.



Mėlynas arba pilkas skritulys su baltu simboliu nurodo, jog reikia atlikti veiksmą, kad būtų išvengta pavojaus.



Raudonas arba pilkas apskritimas su įstrižu brūkšniu, gali būti su juodu simboliu, nurodo, kad veiksmo negalima atlikti arba jį reikia nutraukti.



Jei šių nurodymų nesilaikoma, pasekmės gali būti blogas įrangos veikimas arba gedimas.



Patarimai, kaip atlikti darbą lengviau.

2. Bendri nurodymai

ĮSPĖJIMAS



Elektros smūgis

Mirtis arba sunkus kūno sužalojimas
- Siurblio negalima naudoti, kai vandenyje yra žmonių.

Šios instrukcijos 412 puslapyje rasite siurblio ir variklio vardinių plokštelių kopijas.

Prieš nuleisdami SQ/SQE siurblių į gręžinį, šiame puslapyje surašykite atitinkamus vardinių plokštelių duomenis.

Įrengimo ir eksploatavimo instrukciją laikykite sausoje vietoje netoli siurblio, kad prireikus ji būtų po ranka.

2.1 Paskirtis

SQ ir **SQE** siurbLIAI skirti neklampiams, švariems, neagresyviems ir nesprogiems skysčiams be kietų dalelių ar pluošto siurbti.

Naudojimas:

- Gruntiniam vandeniui tiesti:
 - individualiuose namuose
 - mažose vandenvietėse
 - irigacijos sistemose, pavyzdžiui, šiltnamiuose.
- Skysčių transportavimui rezervuaruose.
- Slėgiui didinti.

SQE-NE siurbLIAI skirti siurbti neklampiams, švariems, nesprogiems skysčiams be kietų dalelių ar pluošto.

Šie siurbLIAI tinka siurbti užterštam arba angliavandenilių turinčiam gruntiniam vandeniui, pvz.,

- sąvartynuose
- cheminių medžiagų saugyklose
- pramoninėse teritorijose
- degalinėse
- aplinkosauginiuose įrenginiuose.

SQE-NE siurbLIAI taip pat tinka mėginams imti ir monitoringui vykdyti, taip pat su tam tikrais apribojimais juos galima naudoti vandens valymo sistemose.

Informacija apie visų tipų siurblius:

Maksimalus smėlio kiekis vandenyje neturi viršyti 50 g/m³. Dėl didesnio smėlio kiekio siurblio tarnavimo laikas sutrumpėja ir padidėja užsiblokavimo rizika.

Pastaba

Jei reikia pumpuoti didesnio nei vandens klampumo skysčius, kreipkitės konsultacijos į Grundfos.

pH vertės:

SQ ir SQE: Nuo 5 iki 9.

SQE-NE: Kreipkitės į Grundfos.

Skysčio temperatūra:

Siurbiamo skysčio temperatūra turi neviršyti 35 °C.

3. Techniniai duomenys

Maitinimo įtampa:

1 x 200-240 V - 10 %/+ 6 %, 50/60 Hz, su žeminiu.
Maitinimas iš generatoriaus: mažiausia leistina generatoriaus galia lygi variklio P_1 [kW] + 10 %.

Paleidimo srovė:

Variklio paleidimo srovė yra lygi didžiausiai variklio vardinėje plokštelėje nurodytai vertei.

Galios koeficientas:

GK = 1.

Variklio skystis:

SML 2 tipo.

Variklio kabelis:

1,5 m, 3 x 1,5 mm², su žeminiu.

Skysčio temperatūra:

Maks. 35 °C.

Siurblio išvado matmenys:

SQ 1, SQ 2, SQ 3: Rp 1 1/4.

SQ 5, SQ 7: Rp 1 1/2.

Siurblio skersmuo:

74 mm.

Gręžinio skersmuo:

Mažiausiai 76 mm.

Įrengimo gylis:

Ne daugiau kaip 150 m žemiau statinio vandens lygio. Taip pat žr. skyrių 6.8.2 *Įrengimo gylis*.

Masė neto:

Ne daugiau kaip 6,5 kg.

3.1 Laikymas

Laikymo temperatūra: -20 °C iki +60 °C.

3.1.1 Apsauga nuo minusinės temperatūros

Neįjungtą siurbį reikia laikyti pliusinėje temperatūroje, arba naudoti neužšalantį variklio skystį.

Variklio negalima laikyti neužpildyto variklio skysčiu.

3.2 Garso slėgio lygis

Siurblio garso slėgio lygis yra mažesnis už ribines vertes, nurodytas Europos Komisijos Tarybos direktyvoje dėl mašinių 2006/42/EC.

4. Paruošimas

Grundfos MS 3 ir MSE 3 panardinami varikliai turi vandeniu tepamus slydimo guolius. Joks papildomas tepimas nereikalingas.

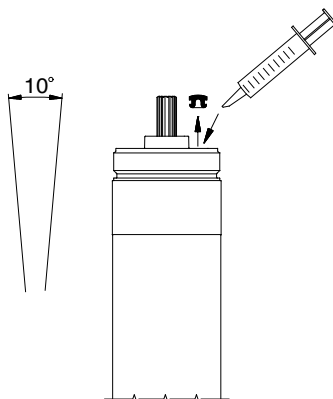
Panardinami varikliai yra gamintojo užpildyti specialiu Grundfos variklio skysčiu (SML 2 tipo), kuris neužšąla iki -20 °C temperatūros ir yra apsaugotas nuo bakterijų dauginimosi. Nuo variklio skysčio lygio priklauso guolių tarnavimo laikas ir kartu variklio tarnavimo laikas.

4.1 Variklio skysčio papildymas

Jei dėl kokių nors priežasčių variklio skystis ištekėjo, arba jo nėra, į variklį reikia pripilti Grundfos variklių skysčio SML 2.

Variklis užpildomas taip:

1. Nuimkite kabelio apsaugą ir atskirkite siurblio dalį nuo variklio.



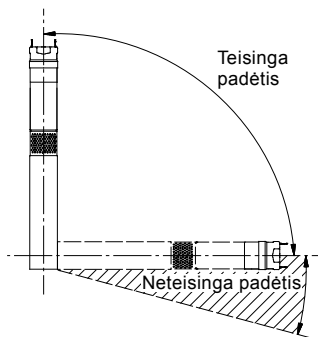
1. pav.

2. Pastatykite variklį vertikaliai, pasvirusį maždaug 10 °.
 3. Atsuktuvu ar kitu panašiu įrankiu nuimkite pripildymo kamštelį.
 4. Švirkštu ar kitu tinkamu instrumentu įšvirkškite variklio skystį į variklį.
 5. Kad iš variklio išeitų oras, pavartykite jį į šonus.
 6. Sandariai įstatykite pripildymo kamštelį.
 7. Sujunkite siurblio dalį ir variklį.
 8. Pritvirtinkite kabelio apsaugą.
- Dabar siurblys paruoštas montavimui.

TIM02 9606 3504

4.2 Galimos siurblio padėtys

Siurblys galima įrengti ir vertikaliai, ir horizontaliai, tačiau siurblio **niekada negalima** nuleisti žemiau horizontalios ašies, žr. 2 pav.



2. pav.

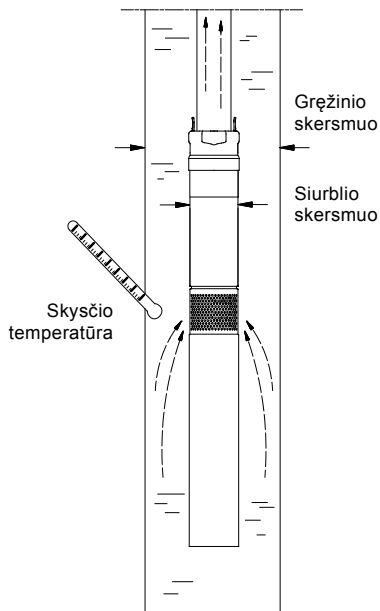
Jei siurblys įrengiamas horizontaliai, pvz., rezervuare, ir yra pavojus, kad siurblys gali būti užneštas dumbliu, jį reikia įrengti siurbimo gaubte. Įrengimo gyliai nurodyti skyriuje 6.8.2 [Įrengimo gylis](#).

4.3 Skysčio temperatūra ir aušinimas

3 pav. parodytas gręžinyje įrengtas siurblys. Siurblys veikia.

3 pav. parodyta:

- Gręžinio skersmuo.
- Siurblio skersmuo.
- Siurbiamo skysčio temperatūra.
- Per siurblio įsiurbimo filtrą tekančio skysčio srautas.



3. pav.

Kad būtų užtikrintas pakankamas variklio aušinimas, svarbu, kad niekada nebūtų viršijama maksimali leistina skysčio temperatūra 35 °C.



Gręžinio skersmuo turi būti mažiausiai 76 mm (maždaug 3").

Variklis visada turi būti įrengiamas virš šulinio filtro. Jei naudojamas siurbimo gaubtas, siurblys gręžinyje gali būti įrengtas laisvai.



Neleiskite siurbliui dirbti į uždarytą išvado vamzdį ilgiau kaip 5 minutes. Kai išvado vamzdis uždaromas, skysčio srautas variklio neaušina, todėl kyla pavojus, kad variklis ir siurblys perkais.

Jei esama siurbiamo skysčio temperatūra viršija nurodytą vertę, arba kitos siurblio darbo sąlygos neatitinka nurodytų sąlygų, siurblys gali išsijungti. Tokiu atveju kreipkitės į Grundfos.

TM01 1375 4397

TM01 0518 1297

5. Elektros maitinimo prijungimas

5.1 Bendri nurodymai

Maitinimo prijungimo darbus turi atlikti kvalifikuotas elektrikas, laikydamasis galiojančių normų.

ĮSPĖJIMAS

Elektros smūgis

- Mirtis arba sunkus kūno sužalojimas
- Prieš pradėdami darbą su siurbliu įsitikinkite, kad maitinimas yra išjungtas ir kad negali būti atsiktiktinai įjungtas.
- Siurblys turi būti įžemintas.
- Siurblys turi būti prijungtas prie išorinio tinklo jungiklio, kuriame tarpelis tarp atidarytų kontaktų yra ne mažesnis kaip 3 mm.
- Jei variklio kabelis yra pažeistas, kad būtų išvengta pavojaus, jį pakeisti turi Grundfos, įgaliotos Grundfos remonto dirbtuvės arba tinkamą kvalifikaciją turintis asmuo.



Maitinimo įtampa, maksimali nominali srovė ir galios koeficientas (PF) nurodyti vardinėje plokštelėje.

Grundfos panardinamųjų variklių kontaktuose įtampos svyravimai turi neviršyti - 10 %/+ 6 % nuo nominalios įtampos siurbliui dirbant nuolatiniu režimu (įskaitant maitinimo įtampos svyravimus ir įtampos kritimą kabeliuose).

ĮSPĖJIMAS

Elektros smūgis

- Mirtis arba sunkus kūno sužalojimas
- Jei siurblys įjungiamas į maitinimo grandinę, kurioje kaip papildoma apsauga panaudotas išjungiklis, apsaugantis nuo nutekėjimo į žemę, šis išjungiklis **turi** suveikti įvykus srovės nutekėjimui į žemę (pulsuojanti nuolatinė srovė).



Išjungiklis **turi** būti pažymėtas ženklu: .

Maitinimo įtampa:

1 x 200-240 V - 10 %/+ 6 %, 50/60 Hz, su įžeminimu.

Srovę galima matuoti tik efektinės srovės matavimo prietaisais. Jei naudojami kitokie prietaisai, išmatuota vertė skirsis nuo realios vertės.

SQ/SQE siurbliuose išmatuota nuotėkio srovė yra 2,5 mA, esant 230 V, 50 Hz įtampai. Nuotėkio srovė yra proporcinga tinklo įtampai.

SQE ir SQE-NE siurblius galima jungti prie CU 300 arba CU 301 tipo valdymo dėžutės.



Siurblio niekada negalima jungti per kondensatorių ar kitokio nei CU 300 arba CU 301 tipo valdymo dėžutę. Siurblio negalima jungti prie dažninės pavaros.

5.2 Variklio apsauga

Variklis turi vidinę apsaugą nuo perkaitimo, jam nereikalinga jokia papildoma apsauga.

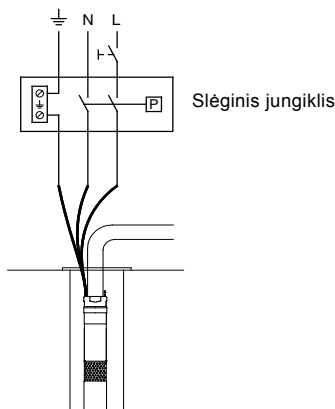
5.3 Variklio prijungimas

Variklis turi vidinį paleidiklį, todėl gali būti jungiamas tiesiai į tinklą.

Paprastai siurblių įjungia ir išjungia slėginis jungiklis, žr. 4 pav.



Slėginio jungiklio nominalas turi atitikti konkretaus galingumo siurblio srovę.



4. pav.

6. Įrengimas

6.1 Bendri nurodymai

ĮSPĖJIMAS

Elektros smūgis

Mirtis arba sunkus kūno sužalojimas



- Prieš pradėdami darbą su siurbliu arba varikliu, įsitikinkite, kad maitinimas yra išjungtas ir negali būti atsitiktinai įjungtas.



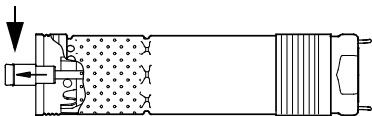
Nenuleiskite ir neiškelkite siurblio už variklio kabelio.

Prie siurblio pridėdamą nepritvirtintą vardinę plokštelę pritvirtinkite netoli siurblio įrengimo vietos.

6.2 Siurblio dalies ir variklio sujungimas

Siurblio dalis su varikliu sujungiama taip:

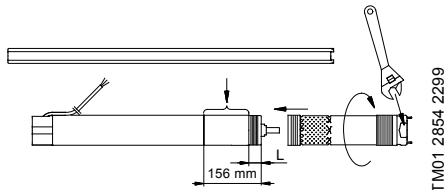
1. Įstatykite variklį horizontaliai į spaustuvas ir priveržkite, žr. 6 pav.
2. Ištraukite siurblio veleną į 5 pav. parodytą padėtį.



TM02 8425 5203

5. pav.

3. Sutepkite variklio veleno galą specialiu tepalu (pridedamas).
4. Priveržkite siurblio dalį prie variklio (55 Nm).
Pastaba. Siurblio velenas turi sukibti su variklio velenu.
Siurblio dalį galima sukti santechniniu raktu paėmus už jungties paviršų, žr. 6 pav.



TM01 2854 2299

6. pav.

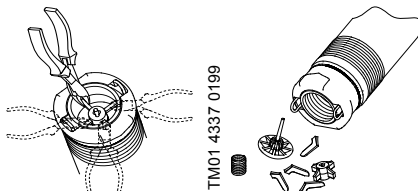
Variklis (P2) [kW]	L [mm]
0,70	120
1,15	102
1,68	66
1,85	66

Kai siurblio dalis ir variklis yra sujunti teisingai, tarp siurblio dalies ir variklio neturi būti laisvumo.

6.3 Atbulinio vožtuvo išėmimas

Jei reikia, kad siurblys būtų be atbulinio vožtuvo, šį vožtuvą galima išimti:

1. Kerpančiomis replėmis ar kitu įrankiu nukirpkite laikančiąsias vožtuvo kojeles, žr. 7 pav.
2. Apverskite siurblį žemyn.
3. Patikrinkite, ar iš siurblio iškrito visos nepritvirtintos detalės.



TM01 4337 0199

TM01 4338 0199

7. pav.



SQE-NE siurbLIAI yra be atbulinio vožtuvo.

Į juos atbulinį vožtuvą galima įstatyti Grundfos remonto dirbtuvėse.

6.4 Kabelio jungties tvirtinimas prie variklio

ĮSPĖJIMAS

Elektrios smūgis

Mirtis arba sunkus kūno sužalojimas



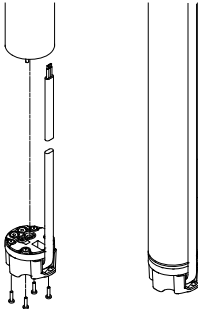
- Vartotojui bet kokių atveju draudžiama išimti variklio kištuką.
- Kabelį su jungtimi prijungti arba atjungti turi įgaliotos Grundfos remonto dirbtuvės arba tinkamą kvalifikaciją turintis asmuo.

Šis aprašymas yra skirtas tik remonto dirbtuvių darbuotojams. Jei variklio kabelis turi būti pakeistas, žr. skyrių [5.1 Bendri nurodymai](#).

Su varikliu tiekiamas kabelio jungtis yra sutepta gamykloje. Patikrinkite, ar jungtis pakankamai sutepta.

Kabelio jungtis įstatoma taip:

1. Patikrinkite, ar kabelis yra tinkamo tipo, skerspjūvio pločio ir ilgio.
2. Patikrinkite, ar vietinis maitinimo tinklas yra tinkamai įžemintas.
3. Patikrinkite, ar variklio lizdas yra švarus ir sausas. Patikrinkite, ar yra įdėtas laisvas tarpiklis.
4. Įspauskite kabelio jungtį į variklio lizdą. Jungties neįmanoma įstatyti neteisingai, žr. [8 pav.](#)



8. pav.

5. Įsukite ir užveržkite keturis sraigtus (1 - 1,5 Nm), žr. [8 pav.](#)

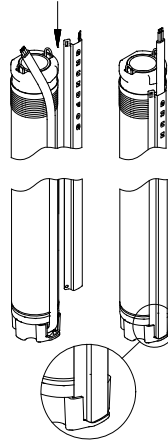
Įtvirtinus jungtį, tarp variklio ir kabelio jungties neturi būti jokio laivumo.

TM02 9605 3504

6.5 Apsauginio kabelio lovelio tvirtinimas

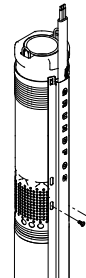
Apsauginis kabelio lovelis tvirtinamas taip:

1. Patikrinkite, ar panardinamasis nuleidžiamas kabelis lovelyje guli lygiai.
2. Įstatykite kabelio apsaugą į kabelio jungties griovelį. Dvi lovelio plokštelės turi būti užkabintos ant siurblio korpuso vamzdžio, žr. [9 pav.](#)



9. pav.

3. Dviem pridedamais savisriegiais sraigtais priveržkite kabelio lovelį prie siurblio įsiurbimo filtro, žr. [10 pav.](#)



10. pav.

TM02 9613 3504

TM01 4427 0299

6.6 Kabelio matmenys

Grundfos gali tiekti panardinamuosius nuleidžiamus kabelius bet kokio tipo instaliacijoms.



Panardinamojo nuleidžiamo kabelio skerspjūvio plotas turi būti pakankamai didelis, kad būtų tenkinami skyriuje [5.1 Bendri nurodymai](#).

Žemiau pateiktoje lentelėje nurodytos vertės yra apskaičiuotos pagal šią formulę:

$$q = \frac{I \times 2 \times 100 \times PF \times L \times \rho}{U \times \Delta U}$$

q = Panardinamojo nuleidžiamo kabelio skerspjūvio plotas [mm²].

I = Nurodyta maksimali variklio srovė [A].

PF = 1,0.

L = Panardinamojo nuleidžiamo kabelio ilgis [m].

ρ = Specifinė varža: 0,02 [Ωmm²/m].

U = Nominali įtampa [V].

ΔU = Įtampos kritimas [%] = 4 %.

4 % įtampos kritimas atitinka IEC 3-64, HD-384 seriją.

Skaičiavimai duoda tokius maksimalius kabelio ilgius esant 240 V maitinimo įtampai:

Maksimalus kabelio ilgis [m]							
Variklis (P2)	I _N [A]	Kabelio dydis					
		1,5 mm ²	2,1 mm ² / 14 AWG	2,5 mm ²	3,3 mm ² / 12 AWG	4 mm ²	6 mm ²
[kW]							
0,7	5,2	80	112	133	176	213	320
1,15	8,4	50	69	83	109	132	198
1,68	11,2	37	52	62	82	99	149
1,85	12	35	49	58	76	92	139

6.7 Panardinamojo nuleidžiamo kabelio tvirtinimas

Rekomenduojama panardinamąjį nuleidžiamą kabelį sujungti su variklio kabeliu naudojant KM tipo Grundfos kabelio atgalių komplektą.

KM tipo kabelio atgalių komplektas	
Skerspjūvio plotas	Gaminio numeris
nuo 1,5 iki 6,0 mm ²	96021473

Dėi didesnių skerspjūvio plotų kreipkitės į Grundfos.

6.8 Vamzdžių sujungimas

Jei prie siurblio tvirtinant kėlimo vamzdį naudojamas įrankis, pvz., grandininis vamzdžių raktas, juo siurbliį galima imti tik už siurblio viršutinės kameros.

Prijungiant plastikinius vamzdžius, siurblio ir vamzdžio sujungimui turi būti naudojama užspaudžiamoji jungtis.

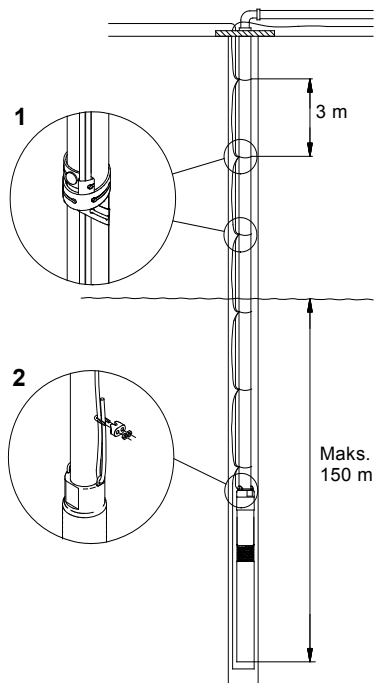


Su siurbliu naudojant plastikinius vamzdžius, parenkant siurblio įrengimo gylį, reikia atsižvelgti į apkrautų vamzdžių išsitemimą.

Kai naudojami vamzdžiai su flanšais, flanšuose turi būti grioveliai, per kuriuos praeitų panardinamasis nuleidžiamas kabelis.

11 paveikslėlyje parodytas siurblio įrengimas, kuriame nurodyta:

- kabelio sąvaržų (1) padėtis ir atstumas tarp sąvaržų.
- prilaikančiosios vielos tvirtinimas (2).
- maksimalus įrengimo gylis žemiau statinio vandens lygio.



11. pav.

6.8.1 Kabelio sąvaržos

Kabelio sąvaržos turi būti pritvirtintos kas 3 metrai, žr. 11 pav.

Jei naudojami plastikiniai vamzdžiai, tarp sąvaržų kabelis turi būti paliktas šiek tiek laisvas, nes apkrauti plastikiniai vamzdžiai išsitempia.

Jei naudojami flanšiniai vamzdžiai, kabelio sąvaržos turi būti pritvirtintos virš ir žemiau kiekvienos jungties.

TM01 0480 4397

6.8.2 Įrengimo gylis

Maksimalus įrengimo gylis žemiau statinio vandens lygio yra 150 metrų, žr. 11 pav.

Minimalus įrengimo gylis žemiau dinaminio vandens lygio:

- **Vertikalus įrengimas:**
Paleidimo ir darbo metu siurblys visą laiką turi būti visiškai paniręs vandenyje.
- **Horizontalus įrengimas:**
Siurblys turi būti įrengtas ir dirbti mažiausiai 0,5 m žemiau dinaminio vandens lygio.
Jei yra pavojus, kad siurblys gali būti užneštas dumbliu, jį reikia įstatyti į siurbimo gaubtą.

6.8.3 Leidžiant siurblių į gręžinį

Rekomenduojama siurblių apsaugoti neįtempta prilaikančiąja viela, žr. 11 pav. (2).

Atleiskite prilaikančiąją vielą taip, kad ji nebūtų tempiama, ir pritvirtinkite prie gręžinio kamščio vielos fiksatoriais.



Prilaikančioji viela neturi būti naudojama siurbliui su vertikaliu vamzdiu išraukti iš gręžinio.



Neįleiskite ir neiškelkite siurblio už variklio kabelio.

7. Paleidimas

Patikrinkite, ar šulinys gali duoti minimalų vandens kiekį, reikalingą atitinkamo galingumo siurbliui.

Neįjunkite siurblio, kol jis nėra visiškai paniręs vandenyje.

Įjunkite siurblių ir neišjunkite jo, kol iš siurblio tekantis skystis nebus visiškai švarus, nes priešingu atveju siurblio dalys ir atbulinis vožtuvas gali užsikimšti.

8. Eksploatavimas

8.1 Minimalus našumas

Kad būtų užtikrintas pakankamas variklio aušinimas, niekada negalima nustatyti mažesnio kaip 50 l/h siurblio našumo.

Jei našumas staiga nukrenta, gali būti, jog siurblys siurbia daugiau vandens, negu gręžinys gali duoti. Siurblių reikia išjungti ir ištaisyti klaidą.



Siurblio apsauga nuo sausosios eigos veikia tik siurbliui dirbant rekomenduojamu režimu.

8.2 Diafragminės talpos parinkimas ir pradinio slėgio bei slėginio jungiklio nustatymas

ĮSPĖJIMAS



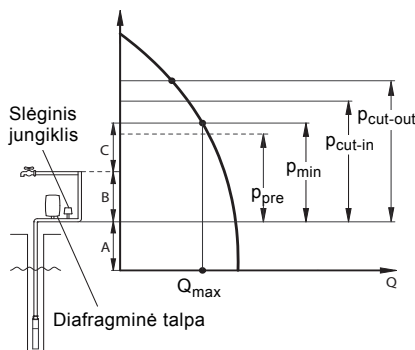
Slėginė sistema

Mirtis arba sunkus kūno sužalojimas

- Instaliacija turi būti suprojektuota maksimaliam siurblio slėgiui.

Kadangi siurblys turi įmontuotą "švelnaus" paleidimo funkciją, užtikrinančią, kad siurblys pilnai įsibėgėja per 2 sekundes, siurblio paleidimo metu slėgis slėginiame jungiklyje ir diafragminėje talpoje bus žemesnis, nei slėginiame jungiklyje nustatytas siurblio įjungimo slėgis (p_{cut-in}). Šis mažesnis slėgis vadinamas minimaliu slėgiu (p_{min}).

p_{min} yra lygus pageidaujama minimaliam slėgiui aukščiausiam čiaupe + slėgio aukštis ir slėgio aukščio nuostoliai vamzdyje nuo slėginio jungiklio ir diafragminės talpos iki aukščiausio čiaupo ($p_{min} = B + C$), žr. 12 pav.



12. pav.

- A: Slėgio aukštis + slėgio aukščio nuostoliai nuo dinaminio vandens lygio iki diafragminės talpos.
- B: Slėgio aukštis + slėgio aukščio nuostoliai nuo diafragminės talpos iki aukščiausio čiaupo.
- C: Minimalus slėgis aukščiausiam čiaupe.



Įsitinkinkite, kad pasirinktas siurblys gali sukurti slėgį, aukštesnį nei $p_{cut-out} + A$.

- p_{pre} : Pradinis slėgis diafragminėje talpoje.
- p_{min} : Pageidaujamas minimalus slėgis.
- p_{cut-in} : Slėginiame jungiklyje nustatytas siurblio įjungimo slėgis.
- $p_{cut-out}$: Slėginiame jungiklyje nustatytas siurblio išjungimo slėgis.
- Q_{max} : Maksimalus srautas esant p_{min} .

TM00 6445 3795

8.3 Per didelis gręžinio sistemos slėgis

Kad būtų užtikrinta apsauga nuo per didelio slėgio, pasroviui už gręžinio galvos sumontuokite apsaugos nuo per didelio slėgio vožtuvą. Apsaugos vožtuvo kontrolinė vertė turi būti mažiausiai 2 bar didesnė už nustatytą slėgį.

Apsaugos vožtuvą rekomenduojama sujungti su tinkamu vandens išleidimo tašku.

Pagal p_{\min} ir Q_{\max} , naudojantis žemiau pateikta lentele, galima surasti **minimalų** diafragminės talpos tūrį, pradinį slėgį ir slėginio jungiklio parametrus:

Pavyzdys:

$p_{\min} = 35$ m slėgio aukščio, $Q_{\max} = 2,5$ m³/h.

Remiantis šia informacija, lentelėje galima rasti tokias vertes:

Minimalus diafragminės talpos tūris = 33 litrai.

$p_{\text{pre}} = 31,5$ m slėgio aukščio.

$p_{\text{cut-in}} = 36$ m slėgio aukščio.

$p_{\text{cut-out}} = 50$ m slėgio aukščio.

p_{\min} [m]	Q_{\max} [m ³ /h]																p_{pre} [m]	$p_{\text{cut-in}}$ [m]	$p_{\text{cut-out}}$ [m]		
	0,6	0,8	1	1,2	1,5	2	2,5	3	3,5	4	4,5	5	5,5	6	6,5	7				7,5	8
Diafragminės talpos dydis [litrais]																					
25	8	8	18	18	18	18	24	33	33	50	50	50	50	80	80	80	80	80	22,5	26	40
30	8	8	18	18	18	24	33	33	50	50	50	50	80	80	80	80	80	27	31	45	
35	8	18	18	18	18	24	33	33	50	50	50	80	80	80	80	80	31,5	36	50		
40	8	18	18	18	18	24	33	50	50	50	80	80	80	80	80	36	41	55			
45	8	18	18	18	24	33	33	50	50	50	80	80	80	80	40,5	46	60				
50	8	18	18	18	24	33	50	50	50	80	80	80	80	45	51	65					
55	18	18	18	18	24	33	50	50	50	80	80	80	49,5	56	70						
60	18	18	18	18	24	33	50	50	80	80	80	80	54	61	75						
65	18	18	18	24	24	33	50	50	80	80	80	80	58,5	66	80						

1 m slėgio aukščio = 0,098 bar.

8.4 Vidinė apsauga

Variklyje yra elektroninis modulis, kuris įvairiose situacijose apsaugo variklį.

Variklio perkrovimo atveju vidinė apsauga nuo perkrovos išjungia siurblį 5 minutėms. Praėjus šiam laikui, siurblys bando vėl įsijungti.

Jei siurblys buvo išsijungęs dėl sausosios eigos, jis automatiškai įsijungs po 5 minučių.

Jei siurblys įjungiamas, kai gręžinys yra tuščias, siurblys po 30 sekundžių išsijungs.

Siurblio paleidimas iš naujo, jei jis buvo automatiškai išsijungęs: 1 minutei išjunkite maitinimą.

Variklis yra apsaugotas nuo:

- sausosios eigos
- įtampos pikų (iki 6000 V), Regionuose, kur dažnai žaibuoja, reikalinga išorinė apsauga nuo žaibo.
- per didelės įtampos
- per mažos įtampos
- perkrovimo
- perkaitimo.

SQE siurbLIAI/MSE 3 varikLIAI:



Naudojant CU 300 arba CU 301 valdiklius, MSE 3 variklių sausosios eigos išsijungimo laiką galima pareguliuoti pagal tai, kam siurblys naudojamas.

9. Priežiūra ir remontas

Įprastomis sąlygomis siurbliui nereikalinga jokia priežiūra.

Siurblyje gali atsirasti nuosėdų ir jis gali dėvėtis. Todėl Grundfos įmonėje galima įsigyti remonto komplektų ir remonto įrankių. Grundfos taip pat gali pateikti Siurblio remonto instrukciją.

SiurbLIAI gali būti remontuojami Grundfos techninės priežiūros centre.

9.1 Užteršti siurbLIAI



Jei siurblys buvo naudojamas pavojingiems sveikatai arba toksiškiems skysčiams, jis bus klasifikuojamas kaip užterštas.

Jei į Grundfos kreipiamasi dėl siurblio remonto, *prieš* perduodant siurblį Grundfos, turi būti pateikti duomenys apie pumpuotą skystį ir pan. Priešingu atveju Grundfos gali atsisakyti priimti siurblį remontuoti.

Taigi, kreipiantis dėl remonto (nesvarbu, į ką), jei siurblys buvo naudojamas pavojingiems sveikatai arba toksiškiems skysčiams, turi būti pateikti duomenys apie pumpuotą skystį.

SQE-NE: Grundfos remontui gali būti perduoti tik tie siurbLIAI, kurie gali būti klasifikuojami kaip neužteršti, t.y. siurbLIAI, kuriuose nėra pavojingų ir (arba) toksiškų medžiagų.

Siekiant apsisaugoti nuo galimos žalos žmonių sveikatai ir aplinkai, reikalingas siurblio švarumą patvirtinantis dokumentas.

Šis patvirtinantis dokumentas Grundfos turi būti pateiktas anksčiau nei siurblys. Priešingu atveju Grundfos atsisakys priimti siurblį remontui.

Galimas siurblio grąžinimo išlaidas apmoka klientas.

10. Gedimų paieškos lentelė

DĖMESIO**Elektros smūgis**

Lengvas arba vidutinis kūno sužalojimas



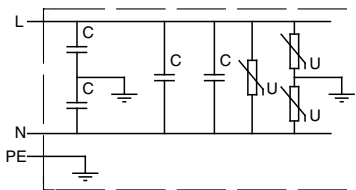
- Prieš pradėdami dirbti su siurbliu/varikliu, reikia pasirūpinti, kad būtų išjungtas elektros maitinimas, ir kad jis negalėtų būti atsitiktinai įjungtas.

Gedimas	Priežastis	Priemonė
1. Siurblys nedirba.	a) Perdegę elektros tinklo saugikliai.	Pakeiskite perdegusius saugiklius. Jei nauji saugikliai vėl perdega, patikrinkite elektros instaliaciją ir panardinamąjį nuleidžiamą kabelį.
	b) Srovės nuotėkio relė ar kitas įtampos valdomas išjungiklis išjungė variklį.	Įjunkite srovės išjungiklį.
	c) Nėra įtampos.	Kreipkitės į elektros tinklų įmonę.
	d) Variklio apsauga išjungė maitinimą dėl variklio perkrovos.	Patikrinkite, ar siurblys/variklis neužblokuotas.
	e) Pažeistas siurblys/panardinamasis nuleidžiamas kabelis.	Sutaisykite/pakeiskite siurblių/kabelį.
	f) Per aukšta arba per žema įtampa.	Patikrinkite elektros tinklą.
2. Siurblys dirba, bet nesiurbia vandens.	a) Uždarytas išvado vožtuvas.	Atidarykite vožtuvą.
	b) Gręžinyje nėra vandens arba per žemas jo lygis.	Žr. punktą 3 a).
	c) Atbulinis vožtuvas užstrigęs uždarytoje padėtyje.	Ištraukite siurblių ir išvalykite arba pakeiskite vožtuvą.
	d) Įsiurbimo filtras yra užsikimšęs.	Ištraukite siurblių ir išvalykite filtrą.
	e) Siurblys yra pažeistas.	Suremontuokite arba pakeiskite siurblių.
3. Siurblys dirba mažu galingumu.	a) Vandens lygio žemėjimas yra didesnis nei tikėtasi.	Padidinkite siurblio gylį, prisukite išvado vožtuvą arba pakeiskite siurblių mažesnio našumo siurbliu.
	b) Išvado vamzdžio vožtuvai yra dalinai uždaryti/užsiblokavę.	Patikrinkite ir išvalykite vožtuvus, jei reikia, juos pakeiskite.
	c) Išvado vamzdis yra dalinai užsikimšęs nešvarumais.	Išvalykite arba pakeiskite išvado vamzdį.
	d) Siurblio atbulinis vožtuvas dalinai užsiblokavęs.	Ištraukite siurblių ir patikrinkite/pakeiskite vožtuvą.
	e) Siurblys ir vamzdis dalinai užsikimšę nešvarumais.	Ištraukite siurblių. Patikrinkite ir išvalykite arba, jei reikia, pakeiskite siurblių. Išvalykite vamzdžius.
	f) Siurblys yra pažeistas.	Suremontuokite arba pakeiskite siurblių.
	g) Nesandarus vamzdynas.	Patikrinkite ir suremontuokite vamzdyną.
	h) Pažeistas vamzdis.	Pakeiskite keliamąjį vamzdį.
	i) Per žema įtampa.	Patikrinkite elektros tinklą.

Gedimas	Priežastis	Priemonė
4. Siurblys dažnai įsijungia ir išsijungia.	a) Slėginio jungiklio slėgių skirtumas tarp įjungimo ir išjungimo slėgio yra per mažas.	Padidinkite skirtumą. Tačiau išjungimo slėgis turi neviršyti darbinio slėginės talpos slėgio, o įjungimo slėgis turi būti gana didelis, kad būtų užtikrintas pakankamas vandens tiekimas.
	b) Rezervuare neteisingai įrengti vandens lygio elektrodai arba slėgio jungikliai.	Sureguliuokite elektrodų/lygio jungiklių intervalus, užtikrindami tinkamus laiko tarpus tarp įsijungimų ir išsijungimų. Skaitykite naudojamo automatikos prietaiso įrengimo ir eksploatacijos instrukciją. Jei automatikos pagalba intervalų tarp įsijungimų ir išsijungimų pakeisti negalima, siurblio našumą galima sumažinti prisukant išvado vožtuvą.
	c) Atbulinis vožtuvas yra nesandarus arba užstrigęs pusiau atidarytas.	Ištraukite siurblį ir išvalykite/pakeiskite atbulinį vožtuvą.
	d) Nestabili maitinimo įtampa.	Patikrinkite elektros tinklą.
	e) Valiklio temperatūra per daug pakyla.	Patikrinkite vandens temperatūrą.

10.1 Varžos tarp apvijų matavimas megaometru

Instaliacijų, kuriose naudojami SQ/SQE siurbLIAI, varžos tarp apvijų matuoti negalima, nes gali būti pažeista įmontuota elektronika, žr. 13 pav.



TM02_0689_5000

13. pav.

11. Elektros maitinimo patikrinimas

ĮSPĖJIMAS

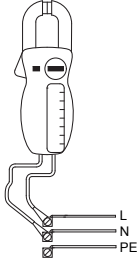
Elektros smūgis



Mirtis arba sunkus kūno sužalojimas

- Prieš pradėdami dirbti su siurbliu/varikliu, reikia pasirūpinti, kad būtų išjungtas elektros maitinimas, ir kad jis negalėtų būti atsitiktinai įjungtas.

1. Maitinimo įtampa

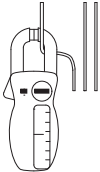


TM00 1371 4904

Pamatuokite įtampą tarp fazės ir nulio. Voltmetrą prijunkite prie jungties kontaktų.

Kai variklis yra apkrautas, įtampa turi būti tokia, kaip nurodyta skyriuje **5. Elektros maitinimo prijungimas**. Dideli maitinimo įtampos svyravimai rodo blogą elektros maitinimą, todėl siurbį reikia išjungti, kol bus ištaisytas gedimas.

2. Vartojama srovė



TM00 1372 5082

Pamatuokite srovę, kai siurblys dirba esant pastoviam slėgiui išvado pusėje (jei įmanoma našumu, kai variklis yra labiausiai apkrautas). Maksimali srovė nurodyta vardinėje plokštelėje.

Jei srovė yra didesnė už pilno apkrovimo srovę, priežastis gali būti šie gedimai:

- Blogi laidų kontaktai, greičiausiai kabelio jungtyje.
- Per mažą maitinimo įtampą, žr. 1 punktą.

12. Aplinkosauga

Siurbį transportuojant, laikant ir eksploatuojant reikia laikytis visų su pavojingomis medžiagomis susijusių aplinkosaugos reikalavimų.

ĮSPĖJIMAS

Koroziška medžiaga

Mirtis arba sunkus kūno sužalojimas



- Baigus eksploatuoti siurbį, reikia pasirūpinti, kad siurblyje/variklyje ir vamzdyje neliktų jokių medžiagų, kurios galėtų būti pavojingos žmonėms ir aplinkai.

Jei dėl ko nors abejojate, prašom kreiptis į Grundfos arba vietinės valdžios institucijas.

13. Atliekų tvarkymas

Šis gaminytis ir jo dalys turi būti likviduojamos laikantis aplinkosaugos reikalavimų:

1. Naudokitės valstybinės arba privačios atliekų surinkimo tarnybos paslaugomis.
2. Jei tai neįmanoma, kreipkitės į Grundfos bendrovę arba Grundfos remonto dirbtuves.

Galimi pakeitimai.

Originālās angļu valodas versijas tulkojums

SATURS

	Lpp.
1. Šajā dokumentā lietotie simboli	215
2. Vispārēja informācija	216
2.1 Pielietojums	216
3. Tehniskie dati	217
3.1 Uzglabāšana	217
3.2 Skaņas spiediena līmenis	217
4. Sagatavošana	217
4.1 Motora šķidrums iepildīšana	217
4.2 Pozicionālās prasības	218
4.3 Šķidrums temperatūra/dzesēšana	218
5. Elektriskais savienojums	219
5.1 Vispārēja informācija	219
5.2 Motora aizsardzība	219
5.3 Motora pieslēgums	219
6. Uzstādīšana	220
6.1 Vispārēja informācija	220
6.2 Sūkņa daļas un motora montāža	220
6.3 Pretvārsta noņemšana	220
6.4 Kabeļa spraudņa savienošana ar motoru	221
6.5 Kabeļa aizsargapvalka uzstādīšana	221
6.6 Kabeļa izmēra noteikšana	222
6.7 Iegremdējama atzarojuma kabeļa uzstādīšana	223
6.8 Cauruļu savienošana	223
7. Palaišana	224
8. Darbība	224
8.1 Minimālais plūsmas ātrums	224
8.2 Diafragmas tvertnes izvēle un iepriekšējās piepildīšanas spiediena un spiediena releja noregulēšana	224
8.4 Integrēta aizsardzība	226
9. Tehniskā apkope un apkalpošana	226
9.1 Piesārņoti sūkņi	226
10. Bojājumu meklēšanas tabula	227
10.1 Lielas elektriskās pretestības mērīšana	228
11. Elektroapgādes pārbaude	229
12. Vides aspekti	229
13. Likvidēšana	229



Pirms uzstādīšanas izlasiet šo dokumentu. Instalācijai un ekspluatācijai jāatbilst valstī spēkā esošiem noteikumiem un pieņemtiem labas prakses principiem.



Šo ierīci var lietot bērni, kas sasnieguši astoņu gadu vecumu, un cilvēki ar fiziskiem, sensoriem vai garīgiem traucējumiem vai pieredzes un zināšanu trūkumu, ja tas tiek darīts citu uzraudzībā vai viņi ir instruēti par šīs ierīces drošu lietošanu un izprot ar to saistīto risku.

Bērni nedrīkst rotālāties ar šo ierīci. Bērni nedrīkst bez uzraudzības veikt tīrīšanu vai apkopi.

1. Šajā dokumentā lietotie simboli

BĪSTAMI



Norāda uz bīstamu situāciju - to nenovēršot, iestāsies nāve vai tiks gūtas smagas ķermeņa traumas.

BRĪDINĀJUMS



Norāda uz bīstamu situāciju - to nenovēršot, iespējama nāves iestāšanās vai smagas ķermeņa traumas.

UZMANĪBU



Norāda uz bīstamu situāciju - to nenovēršot, iespējamas nelielas vai vidēji smagas ķermeņa traumas.

Teksts, kas atrodas līdžās trīs bīstamības simboliem - BĪSTAMI, UZMANĪBU un IEVĒRO PIESARDZĪBU -, būs strukturēts tālāk norādītajā veidā.

SIGNĀLVĀRDS



Bīstamības apraksts

Sekas, neievērojot brīdinājumu.
- Rīcība bīstamības novēršanai.



Zils vai pelēks aplītis ar baltu grafisko simbolu norāda, ka jāveic darbība, lai novērstu bīstamību.



Sarkans vai pelēks aplītis ar diagonālu joslu, iespējams, ar melnu grafisko simbolu, norāda, ka darbību nedrīkst veikt vai tā jāpārtrauc.



Šo instrukciju neievērošana var izraisīt nepareizu aprīkojuma darbību vai bojājumus.



Ieteikumi un padomi, kas atvieglo darbu.

2. Vispārēja informācija

BRĪDINĀJUMS



Elektriskās strāvas trieciens

Nāve vai smagas ķermeņa traumas
- Sūkņi nedrīkst izmantot, kamēr cilvēki ir ūdenī.

Šīs uzstādīšanas un ekspluatācijas instrukcijas 412. lappusē ir ievietotas sūkņa un motora pasēs datu plāksnīšu kopijas.

Pirms SQ, SQE sūkņa nolaišanas urbumā šajā lappusē jāieraksta attiecīgā pasēs datu plāksnītes informācija.

Uzziņas nolūkā šī sūkņa uzstādīšanas un ekspluatācijas instrukcija jātur sausā vietā sūkņa uzstādīšanas vietas tuvumā.

2.1 Pielietojums

SQ un **SQE** sūkņi ir paredzēti nepiesātinātu, tīru, neagresīvu, neeksplozīvu, cietas daļiņas un šķiedras nesaturošu šķidrumu sūkņēšanai.

Tipiski pielietojumi:

- Gruntsūdens pievadīšana
 - privātmājām
 - nelielām hidrotehniskām būvēm
 - apūdeņošanas sistēmām, piemēram, siltumnīcām
- Šķidruma pārsūkņēšana tvertnēs.
- Spiediena paaugstināšana.

SQE-NE sūkņi ir paredzēti nepiesātinātu, tīru, neeksplozīvu, cietas daļiņas un šķiedras nesaturošu šķidrumu sūkņēšanai.

Šie sūkņi ir piemēroti piesārņota vai bikarbonātus saturoša gruntsūdens sūkņēšanai, piem., no

- izgāztuvēm
- ķīmiskajām noliktavām
- rūpnieciskiem rajoniem
- degvielas uzpildes stacijām
- ekoloģiskajiem lietojumiem.

SQE-NE sūkņus var izmantot arī paraugu ņemšanai un kontrolei, kā arī zināmā mērā iekļaušanai ūdens attīrīšanas sistēmās.

Informācija, kas piemērojama visiem sūkņa tipiem:

Maksimālais smilšu saturs ūdenī nedrīkst pārsniegt 50 g/m³. Lielāks smilšu daudzums saīsinās sūkņa darbību un palielinās nosprostošanās risku.

Piezīme. Gadījumā, ja sūkņi paredzēti izmantot tādu šķidrumu sūkņēšanai, kuru viskozitāte ir lielāka nekā ūdenim, jāsaazinās ar GRUNDFOS.

pH vērtības:

SQ un SQE: 5 līdz 9.

SQE-NE: Jāsaazinās ar GRUNDFOS.

Šķidruma temperatūra:

Sūkņējamā šķidruma temperatūra nedrīkst pārsniegt 35 °C.

3. Tehniskie dati

Barošanas spriegums:

1 x 200-240 V - 10 %/+ 6 %, 50/60 Hz, PE.
Darbība, izmantojot ģeneratoru: ģenerators jānodrošina ar motora jaudu P_1 [kW] + 10 %.

Palaišanas strāva:

Motora palaišanas strāva ir vienāda ar motora pasē datus plāksnītē norādīto augstāko vērtību.

Jaudas koeficients:

PF = 1.

Motora šķidrums:

SML 2 tips.

Motora kabelis:

1,5 m, 3 x 1,5 mm², PE.

Šķidruma temperatūra:

Maksimāli 35 °C.

Sūkņa izvadkanāla izmērs:

SQ 1, SQ 2, SQ 3: Rp 1 1/4.

SQ 5, SQ 7: Rp 1 1/2.

Sūkņa diametrs:

74 mm.

Urbuma diametrs:

Vismaz 76 mm.

Uzstādīšanas dziļums:

Maksimāli 150 m zem statiskā ūdens līmeņa.
Sk. arī punktā [6.8.2 Uzstādīšanas dziļumi](#).

Neto svars:

Maksimāli 6,5 kg.

3.1 Uzglabāšana

Uzglabāšanas temperatūra: -20 °C līdz +60 °C.

3.1.1 Aizsardzība pret zemas temperatūras iedarbību

Ja pēc izmantošanas sūkni paredzēts uzglabāt, tas jātur vietā, kas ir pasargāta no sala iedarbības, vai jānodrošina, ka motora šķidrums ir salcietīgs. Motoru nedrīkst uzglabāt bez motora šķidruma.

3.2 Skaņas spiediena līmenis

Sūkņa skaņas spiediena līmenis ir zemāks par EK Padomes direktīvā 2006/42/EK attiecībā uz elektroiekārtām noteiktajām robežvērtībām.

4. Sagatavošana

GRUNDFOS MS 3 un MSE 3 iegremdējamie motori ir ar ūdeni ieziežami slīdgultņi. Nav nepieciešama papildu eļļošana.

Izgatavotājrūpnīcā iegremdējamie sūkņi ir piepildīti ar speciālu GRUNDFOS motora šķidrumu (SML 2 tips), kas ir salcietīgs līdz pat -20 °C un aizsargāts pret baktēriju attīstību.

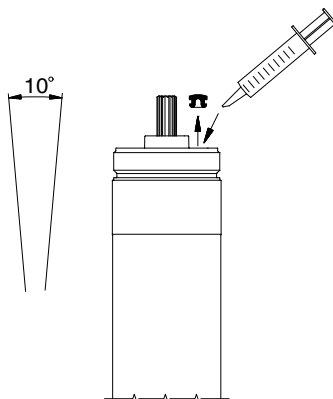
Motora šķidruma līmenim ir izšķiroša nozīme attiecībā uz gultņu ekspluatācijas laiku un līdz ar to arī motora darbību.

4.1 Motora šķidruma iepildīšana

Ja kāda iemesla dēļ motora šķidrums ir izlaists vai zaudēts, motorā jāiepilda GRUNDFOS motora šķidrums SML 2.

Lai iepildītu šķidrumu motorā, jārikojas tālāk norādītā kārtībā:

1. Jāņemam kabeļa aizsargapvalks un jāatdala sūkņa daļa no motora.



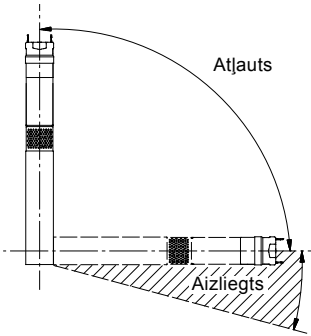
1. ilustr.

2. Motors jānovieto vertikālā pozīcijā ar apmēram 10 ° lielu slīpumu.
 3. Jāņemam iepildīšanas aizgrieznis, izmantojot skrūvgriezi vai tamlīdzīgu instrumentu.
 4. Jāiesmidzina motora šķidrums motorā ar pildīšanas spiedi vai līdzīgu instrumentu.
 5. Lai ļautu iziet gaisam, kas iespējams ir iekļuvis, motors jāpakustina no vienas puses uz otru.
 6. Iepildīšanas aizgrieznis jānovieto atpakaļ un stingri jāaizgriež.
 7. Jāsamontē sūkņa daļa un motors.
 8. Jāuzliek atpakaļ kabeļa aizsargapvalks.
- Tagad sūknis ir gatavs uzstādīšanai.

TM02 9606 3504

4.2 Pozicionālās prasības

Sūknis ir piemērots uzstādīšanai horizontālā vai vertikālā stāvoklī, tomēr jāņem vērā, ka sūkņa vārpsta **nekad nedrīkst** atrasties zem horizontālās plaknes, sk. 2. ilustr.



2. ilustr.

Ja sūkni paredzēts uzstādīt horizontāli, piem., tvertnē, un pastāv risks, ka sūkni varētu pārklāt dubļi, tas jānovieto plūsmas uzdevā.

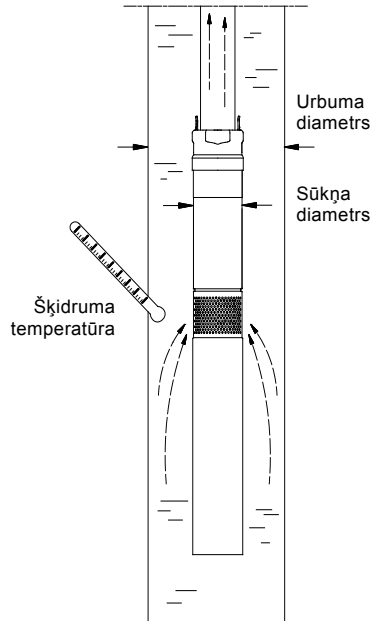
Uzstādīšanas dziļumus sk. punktā [6.8.2 Uzstādīšanas dziļumi](#)

4.3 Šķidruma temperatūra/dzesēšana

3. ilustrācijā ir redzams SQ/SQE sūknis, kas uzstādīts urbumā. Sūknis ir darba režīmā.

3. ilustrācijā parādīti:

- urbuma diametrs
- sūkņa diametrs
- sūknējamā šķidruma temperatūra
- plūsma, kas caur motoru virzās uz sūkņa sūknēšanas sietfiltru.



3. ilustr.

Lai nodrošinātu motora pietiekamu dzesēšanu, svarīgi ievērot maksimālo šķidruma temperatūru 35 °C jebkuros apstākļos.



Urbuma diametram jābūt vismaz 76 mm (apm. 3").

Motors vienmēr jāuzstāda virs akas filtra. Ja izmanto plūsmas uzdevu, sūkni var brīvi uzstādīt urbumā.



Nedrīkst ļaut sūknim strādāt ar slēgtu izvadcauruli ilgāk par 5 minūtēm.

Kad izvadcaurule ir slēgta, nav dzesējošā šķidruma plūsmas un līdz ar to rodas motora un sūkņa pārlicīgās sakaršanas bīstamība.

Ja sūknējamā šķidruma faktiskā temperatūra pārsniedz noteikto vērtību vai darba apstākļi citādā ziņā atšķiras no norādītajiem, sūknis var apstāties. Jāsazinās ar GRUNDFOS.

TM01 1375 4397

TM01 0518 1297

5. Elektriskais savienojums

5.1 Vispārēja informācija

Elektrisko savienojumu drīkst veikt tikai sertificēts elektriķis saskaņā ar vietējiem normatīviem.

BRĪDINĀJUMS

Elektriskās strāvas trieciens

Nāve vai smagas ķermeņa traumas

- Pirms darba pie sūkņa jāpārbauda, vai elektroapgāde ir izslēgta un vai tā nevar nejauši ieslēgties.
- Sūknis jāiezemē.
- Sūknis jāsavieno ar ārēju tīkla slēdzi, lai minimālā kontaktu sprauga visos polos būtu 3 mm.
- Lai nepieļautu bīstamību, motora kabeļa bojājuma gadījumā tas jānomaina Grundfos speciālistam, Grundfos pilnvarotai servisa darbinīcai vai citiem kvalificētiem speciālistiem.



Darba spriegums, maksimālā nominālā strāva un jaudas koeficients (PF) ir norādīti motora pasēs datu plāksnītē.

Grundfos iegremdējamiem motoriem vajadzīgais spriegums, ko mēra pie motora spaiļēm, ir - 10 %/+ 6 % no nominālā sprieguma pastāvīga darba laikā (ieskaitot barošanas sprieguma novirzes un zudumus kabeļos).

BRĪDINĀJUMS

Elektriskās strāvas trieciens

Nāve vai smagas ķermeņa traumas

- Ja sūknis ir pievienots elektroinstalācijai, kurā papildu aizsardzības nolūkā ir lietots noplūdes aizsargslēdzis (ELCB), šim slēdzim jāatvieno elektroapgāde, ja plūst īsslēguma strāva ar līdzstrāvas saturu.



Noplūdes aizsargslēdzis jāmarkē ar šādu simbolu:



Barošanas spriegums:

1 x 200-240 V - 10 %/+ 6 %, 50/60 Hz, PE.

Strāvas patēriņu var mērit tikai ar precīzu tālvadības mērīšanas sistēmas instrumentu. Izmantojot citus instrumentus, izmērītā vērtība atšķirsies no faktiskās vērtības.

SQ/SQE sūkņiem parasti var mērit 2,5 mA noplūdes strāvu, ja ir 230 V, 50 Hz. Noplūdes strāva ir proporcionāla barošanas spriegumam.

SQE un SQE-NE sūkņus var savienot ar CU 300 vai CU 301 tipa vadības bloku.



Sūknī nekad nedrīkst savienot ar kondensatoru vai cita tipa vadības bloku kā vien ar CU 300 vai CU 301.

Sūknim nedrīkst pieslēgt ārēju frekvences pārveidotāju.

5.2 Motora aizsardzība

Motors ietver pārkaršanas aizsargslēdzi, un tam nav vajadzīga motora papildu aizsardzība.

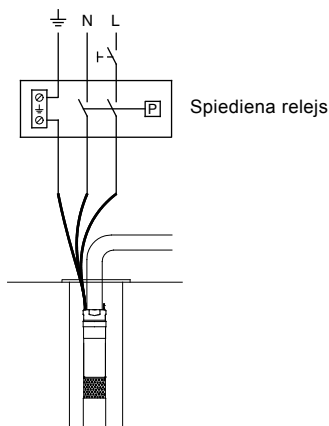
5.3 Motora pieslēgums

Motors ietver palaišanas ierīci, un tādējādi to var tieši pieslēgt tīkla strāvai.

Sūkņa palaišana/apturēšana parasti notiks, izmantojot spiediena releju, sk. 4. ilustr.



Spiediena relejam jābūt uzstādītam uz konkrētajam sūkņa tipam maksimāli norādīto ampēru lielumu.



4. ilustr.

6. Uzstādīšana

6.1 Vispārēja informācija

BRĪDINĀJUMS

Elektriskās strāvas trieciens

Nāve vai smagas ķermeņa traumas



- Pirms darba pie sūkņa/motora jāpārbauda, vai elektroapgāde ir izslēgta un vai tā nevar nejauši ieslēgties.



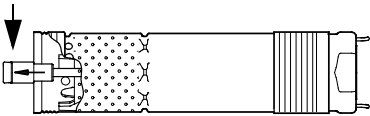
Neдрīkst nolaist vai pacelt sūkni, turot aiz motora kabeļa.

Kopā ar sūkni piegādātā nepiestiprinātā datu plāksnīte jāpiestiprina līdzās sūkņa uzstādīšanas vietai.

6.2 Sūkņa daļas un motora montāža

Lai samontētu sūkņa daļu un motoru, jāveic tālāk norādītās darbības:

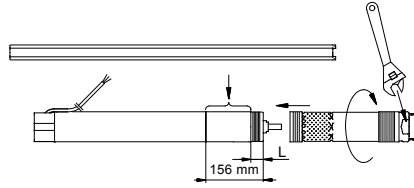
1. Motors jānovieto horizontāli iespīlēšanas ierīcē un jāpiegriež, sk. 6. ilustr.
2. Sūkņa vārpsta jāizvelk līdz 5. ilustr. redzamajai pozīcijai.



5. ilustr.

3. Motora vārpstas gals jāapziež ar smērvielu, kas piegādāta kopā ar motoru.
4. Sūkņa daļa jāuzskrūvē uz motora (55 Nm).
Piezīme. Sūkņa vārpstai jāsakabinās ar motora vārpstu.
Sūkņa daļas stiprinājuma vietās var izmantot uzgriežņatslēgu, sk. 6. ilustr.

TM02 8425 5203



6. ilustr.

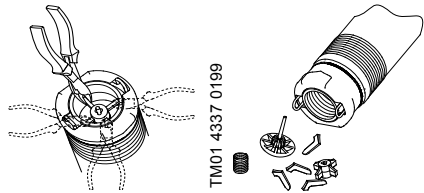
Motors (P2) [kW]	L [mm]
0,70	120
1,15	102
1,68	66
1,85	66

Ja sūkņa daļa un motors ir samontēti pareizi, nedrīkst būt atstarpe starp sūkņa daļu un motoru.

6.3 Pretvārsta noņemšana

Ja ir vajadzīgs sūknis bez pretvārsta, vārstu var noņemt šādā veidā:

1. Ar slīpajām asknaiblēm vai līdzīgu instrumentu jāizgriež vārsta vadīklas kājiņas, sk. 7. ilustr.
2. Sūknis jāpagriež ar augšdaļu uz leju.
3. Jāpārliecinās, ka visas nepiestiprinātās detaļas izkrīt no sūkņa.



7. ilustr.



SQE-NE sūknus piegādā bez pretvārsta.

Pretvārstu iespējams uzstādīt Grundfos servissapkalpošanas darbnīcā.

6.4 Kabeļa spraudņa savienošana ar motoru

BRĪDINĀJUMS

Elektriskās strāvas trieciens

Nāve vai smagas ķermeņa traumas



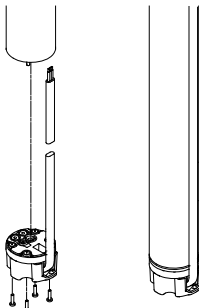
- Lietotājam aizliegts noņemt motora spraudni.
- Kabelis ar spraudni jāuzstāda un jānoņem Grundfos pilnvarotā servisa darbinīcā vai attiecīgi kvalificētai personai.

Šis apraksts ir domāts vienīgi servisa darbiniekiem. Ja nepieciešams nomainīt motora kabeli, sk. punktā [5.1 Vispārēja informācija](#).

Ar motoru piegādātais kabeļa spraudnis rūpnīcā ir ieziests ar smērvielu. Jāpārbauda, vai spraudnis ir pareizi ieziests.

Lai uzstādītu kabeļa spraudni, jāveic šādas darbības:

1. Jāpārbauda, vai tas ir pareiza tipa kabelis, ar pareizu šķērsgriezumu un garumu.
2. Jāpārliedz, ka vietā esošajam elektrotīklam ir izveidots pareizs zemējums.
3. Jāpārbauda, vai motora kontaktietvere ir tīra un sausa. Jāpārbauda, vai nenostiprinātā starplika ir uzstādīta.
4. Kabeļa spraudnis jāiespiež motora kontaktietverē. Spraudni nedrīkst uzstādīt nepareizi, sk. [8. ilustr.](#)



8. ilustr.

5. Jāuzstāda un jāpievelk četras skrūves (1 - 1,5 Nm), sk. [8. ilustr.](#)

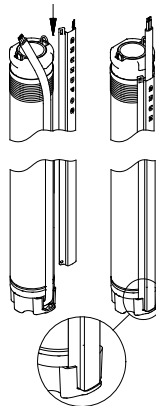
Kad spraudnis ir uzstādīts, nedrīkst palikt atstarpe starp motoru un kabeļa spraudni.

TM02 9605 3504

6.5 Kabeļa aizsargapvalka uzstādīšana

Lai uzstādītu kabeļa aizsargapvalku, jāveic šādas darbības:

1. Jāpārliedz, ka iegremdējama atzarojuma kabelis atrodas plakani kabeļa aizsargapvalkā.
2. Kabeļa aizsargapvalks jānovieto kabeļa spraudņa rievā. Abām kabeļa aizsargapvalka malām jāsavienojas ar sūkņa uzsmavas augšmalu, sk. [9. ilustr.](#)



9. ilustr.

3. Ar divām piegādātajām pašvītņotājskrūvēm kabeļa aizsargapvalks jāpiestiprina pie sūkņa sūkņēšanas sietfiltra, sk. [10. ilustr.](#)



10. ilustr.

TM02 9613 3504

TM01 4427 0299

6.6 Kabeļa izmēra noteikšana

Grundfos var piegādāt iegremdējamos atzarojuma kabeļus jebkuram uzstādīšanas tipam.



Iegremdējamā atzarojuma kabeļa šķērsgriezumam jābūt pietiekami lielam, lai tas atbilstu punktā [5.1 Vispārēja informācija](#) norādītajām sprieguma prasībām.

Zemāk dotās tabulas vērtības ir aprēķinātas pēc šādas formulas:

$$q = \frac{I \times 2 \times 100 \times PF \times L \times \rho}{U \times \Delta U}$$

q = iegremdējamā atzarojuma kabeļa šķērsgriezums [mm^2].

I = motora nominālā maksimālā strāva [A].

PF = 1,0.

L = iegremdējamā atzarojuma kabeļa garums [m].

ρ = patnējā pretestība: 0,02 [$\Omega\text{mm}^2/\text{m}$].

U = nominālais spriegums [V].

ΔU = sprieguma kritums [%] = 4 %.

Sprieguma kritums 4 % apmērā ir saskaņā ar IEC 3-64, HD-384 sērija.

Aprēķinu rezultātā ir iegūti šādi maksimālie kabeļu garumi 240 V barošanas spriegumam:

		Maksimālais kabeļa garums [m]					
Motors (P2)	I_N [A]	Kabeļa izmērs					
		1,5 mm ²	2,1 mm ² / 14 AWG	2,5 mm ²	3,3 mm ² / 12 AWG	4 mm ²	6 mm ²
0,7	5,2	80	112	133	176	213	320
1,15	8,4	50	69	83	109	132	198
1,68	11,2	37	52	62	82	99	149
1,85	12	35	49	58	76	92	139

6.7 Iegremdējama atzarojuma kabeļa uzstādīšana

Ieteicams savienot iegremdējamo atzarojuma kabeli un motora kabeli, izmantojot Grundfos KM tipa kabeļu savienotājuzmavas komplektu.

Kabeļu savienotājuzmavas komplekts, KM tips

Šķērsgriezuma laukums	Izstrādājuma numurs
1,5 līdz 6,0 mm ²	96021473

Attiecībā uz lielākiem šķērsgriezumiem jāsazinās ar Grundfos.

6.8 Cauruļu savienošana

Ja stāvvada savienošanai ar sūkni izmanto instrumentu, piem., cauruļu ķēdes atslēgu, sūknis tikai jāsaista ar sūkņa izvadkameru.

Savienojot plastmasas caurules, starp sūkni un pirmo caurules posmu jāizmanto saspiedējuzmava.

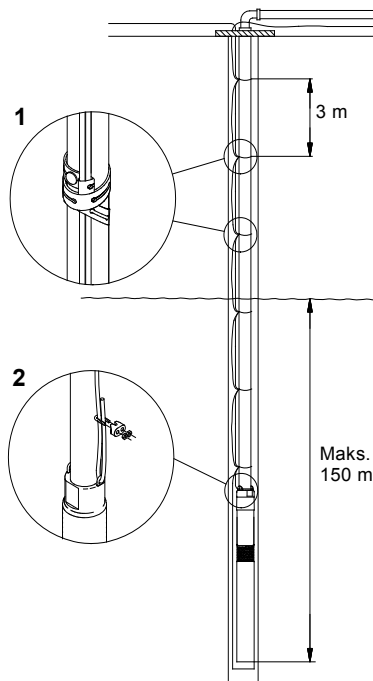


Pieņemot lēmumu par sūkņa uzstādīšanas dziļumu, sūkņiem, kas ir savienoti ar plastmasas caurulēm, jāņem vērā cauruļu izplešanās piepildīšanas gadījumā.

Izmantojot caurules ar atlokiem, atlokiem jābūt ar iegriezumiem, lai varētu piestiprināt iegremdējamo atzarojuma kabeli.

11. ilustrācijā ir redzama sūkņa ietaise, kurā norādīti:

- kabeļa fiksatoru pozīcija, poz. 1, un attālums starp fiksatoriem,
- uzstiepšanas trose, poz. 2,
- maksimālais uzstādīšanas dziļums zem statiskā ūdens līmeņa.



11. ilustr.

6.8.1 Kabeļa fiksatori

Kabeļa fiksatori jāuzstāda ik pa 3 metriem, sk. 11. ilustr.

Savienojot plastmasas caurules, starp katru kabeļa fiksatoru jāatstāj zināma nokare, jo piepildīšanas gadījumā plastmasas caurules izplešas.

Izmantojot caurules ar atlokiem, kabeļa fiksatori jāuzstāda virs un zem katras savienojuma vietas.

TM01 0480-4397

6.8.2 Uzstādīšanas dziļumi

Maksimālais uzstādīšanas dziļums zem statiskā ūdens līmeņa: 150 metri, sk. 11. ilustr.

Minimālais uzstādīšanas dziļums zem dinamiskā ūdens līmeņa:

- **Vertikāla uzstādīšana:**
Palaišanas un darba laikā sūknim vienmēr jābūt pilnīgi iegremdētam ūdenī.
- **Horizontāla uzstādīšana:**
Sūknis jāuzstāda, un tam jāstrādā vismaz 0,5 m zem dinamiskā ūdens līmeņa.
Ja pastāv bīstamība, ka sūknis varētu pārklāt dubļi, tas vienmēr jāaprīko ar plūsmas uznavu.

6.8.3 Sūkņa nolaišana urbumā

Ieteicams sūknī nodrošināt ar neslogotu uzstiepšanas trosi, sk. 11. ilustr., poz. 2.

Uzstiepšanas trosē jāatslābina tā, ka tā kļūst nenoslogota, un jāpiestiprina urbuma aizvaram, izmantojot troses fiksatorus.



Uzstiepšanas trosi nedrīkst lietot sūkņa un stāvvada izvilšanai no urbuma.



Sūknī nedrīkst nolaist vai pacelt, turot aiz motora kabeļa.

7. Palaišana

Jāpārlicinās, ka aka spēj nodrošināt minimālo ūdens daudzumu, kas atbilst sūkņa ražīgumam.

Sūknis nedrīkst palaist, līdz tas nav pilnīgi iegremdēts šķidrumā.

Sūknis jāieslēdz, un to nedrīkst apturēt, kamēr sūknējamais šķidrums nav pilnīgi tīrs, jo citādi sūkņa daļas un pretvārsts var nosprostoties.

8. Darbība

8.1 Minimālais plūsmas ātrums

Lai nodrošinātu nepieciešamo motora dzesēšanu, sūkņa plūsmas ātrumu nekad nedrīkst noregulēt uz vērtību, kas būtu zemāka par 50 l/h.

Ja plūsmas ātrums pēkšņi krītas, iemesls varētu būt apstākļi, ka sūknis sūknē vairāk ūdens nekā urbums spēj nodrošināt. Sūknis jāizslēdz, un kļūme jālabo.



Sūkņa aizsardzība pret darbību bez šķidruma ir efektīva vienīgi sūkņa ieteiktā darba diapazona ietvaros.

8.2 Diafragmas tvertnes izvēle un iepriekšējās papildīšanas spiediena un spiediena releja noregulēšana

BRĪDINĀJUMS



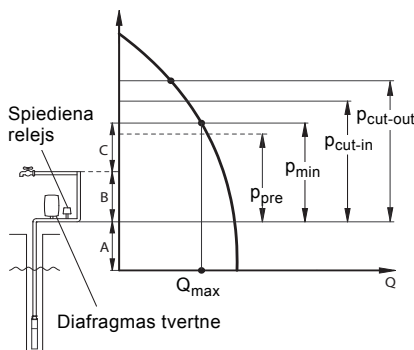
Slēgta tipa sistēma

Nāve vai smagas ķermeņa traumas

- Iekārtai jābūt paredzētai maksimālajam sūkņa spiedienam.

Tā kā sūknim ir iebūvēta elastīga palaišanas ierīce ar 2 sekunžu iedarbošanās laiku, spiediens pie spiediena releja un diafragmas tvertnes palaišanas laikā būs zemāks nekā ar spiediena releju uzstādītais sūkņa ieslēgšanas spiediens (p_{cut-in}). Šo zemāko spiedienu sauc par minimālo spiedienu (p_{min}).

p_{min} ir vienāds ar vēlamo minimālo spiedienu pie augstākā krāna + sūknēšanas augstumu un spiedinaugstuma zudumu caurulē no spiediena releja un diafragmas tvertnes līdz augstākajam krānam ($p_{min} = B + C$), sk. 12. ilustr.



12. ilustr.

- A: Sūknēšanas augstums + spiedinaugstuma zudums no dinamiskā ūdens līmeņa līdz diafragmas tvertnei.
- B: Sūknēšanas augstums + spiedinaugstuma zudums no diafragmas tvertnes līdz augstākajam krānam.
- C: Minimālais spiediens pie augstākā krāna.



Jāpārlicinās, vai izvēlētais sūknis var nodrošināt spiedienu, kas būtu augstāks par $p_{cut-out} + A$.

p_{pre} : Diafragmas tvertnes iepriekšējās papildīšanas spiediens.

p_{min} : Vēlamais minimālais spiediens.

p_{cut-in} : Spiediena relejā uzstādītais ieslēgšanas spiediens.

$p_{cut-out}$: Spiediena relejā uzstādītais izslēgšanas spiediens.

Q_{max} : Maksimālā plūsma, ja ir p_{min} .

8.3 Akas sistēmas spiediena pārslodze

Lai nodrošinātu aizsardzību pret pārspiedienu, akas augšpusē virzienā uz leju uzstādi spiedienu izlīdzinošu vārstu. Spiedienu izlīdzinošā vārsta uzdotajai vērtībai jābūt vismaz 30 psi virs spiediena iestatījuma.

Ja uzstādāt spiedienu izlīdzinošu vārstu, ieteicams savienot to ar piemērotu drenāžas punktu.

Lietojot p_{\min} un Q_{\max} , **minimālo** diafragmas tvertnes izmēru, iepriekšējās papildīšanas spiedienu un spiediena releja noregulējumus var atrast zemāk dotajā norāžu tabulā:

Piemērs:

$p_{\min} = 35$ m sūkņēšanas augstuma, $Q_{\max} = 2,5$ m³/h.

Uz šīs informācijas pamata tabulā var atrast šādas vērtības:

Minimālais diafragmas tvertnes izmērs = 33 litri.

$p_{\text{pre}} = 31,5$ m spiedienaugstuma.

$p_{\text{cut-in}} = 36$ m spiedienaugstuma.

$p_{\text{cut-out}} = 50$ m spiedienaugstuma.

p_{\min} [m]	Q_{\max} [m ³ /h]																p_{pre} [m]	$p_{\text{cut-in}}$ [m]	$p_{\text{cut-out}}$ [m]		
	0,6	0,8	1	1,2	1,5	2	2,5	3	3,5	4	4,5	5	5,5	6	6,5	7				7,5	8
	Diafragmas tvertnes izmērs [litri]																				
25	8	8	18	18	18	18	24	33	33	50	50	50	50	80	80	80	80	80	22,5	26	40
30	8	8	18	18	18	24	33	33	50	50	50	50	80	80	80	80	80		27	31	45
35	8	18	18	18	18	24	33	33	50	50	50	80	80	80	80	80			31,5	36	50
40	8	18	18	18	18	24	33	50	50	50	80	80	80	80	80				36	41	55
45	8	18	18	18	24	33	33	50	50	50	80	80	80	80					40,5	46	60
50	8	18	18	18	24	33	50	50	50	80	80	80	80						45	51	65
55	18	18	18	18	24	33	50	50	50	80	80	80							49,5	56	70
60	18	18	18	18	24	33	50	50	80	80	80	80							54	61	75
65	18	18	18	24	24	33	50	50	80	80	80	80							58,5	66	80

1 m spiedienaugstuma = 0,098 bāri.

8.4 Integrēta aizsardzība

Motors ietver elektronisku ierīci, kas nodrošina motora aizsardzību dažādās situācijās.

Pārslodzes gadījumā integrētā pretpārslodzīzaizsardzība apturēs sūkni uz 5 minūtēm. Pēc šī laika sūknis mēģinās ieslēgties atkārtoti.

Ja sūknis ir apturēts sakarā ar nepietiekamu šķidruma daudzumu, tas automātiski ieslēgsies pēc 5 minūtēm.

Ja sūknis ir atkārtoti palaists un urbums ir tukšs, sūknis apstāsies pēc 30 sekundēm.

Sūkņa atiestatīšana: uz 1 minūti jāizslēdz elektroapgāde.

Motors ir aizsargāts, ja ir:

- darbība bez šķidruma
- pārsprieguma viļņi (līdz 6000 V). Vietās, ko raksturo augsta zibeņošanas intensitāte, nepieciešams uzstādīt zibensnovēdēju.
- pārspriegums
- pazemināts spriegums
- pārslodze un
- pārāk augsta temperatūra.

SQE sūkņi/MSE 3 motori:



Izmantojot CU 300 vai CU 301, MSE 3 motoru zema šķidruma līmeņa apturēšanas robežu var noregulēt atbilstīgi konkrētajam lietojumam.

9. Tehniskā apkope un apkalpošana

Normāli sūkņiem nav vajadzīga tehniskā apkope.

Var rasties nogulsnes un nodulums. Šādam nolūkam no Grundfos var iegādāties apkopes komplektus un apkopes instrumentus. Pēc pieprasījuma ir pieejama arī Grundfos tehniskās apkopes rokasgrāmata.

Sūkņu servisapkalpošanu var veikt Grundfos serviscentros.

9.1 Piesārņoti sūkņi



Ja sūknis ir izmantots veselībai kaitīga vai indīga šķidruma sūknēšanai, to uzskata par piesārņotu.

Ja vēlas uzticēt sūkņa servisapkalpošanas veikšanu sabiedrībai GRUNDFOS, jānodrošina, lai GRUNDFOS saņemtu detalizētu informāciju par sūknējamo šķidrumu utt. *pirms* sūkņa nosūtīšanas servisapkalpošanai. Citādi Grundfos var atteikties pieņemt sūkni servisapkalpošanai.

Ikvienā pieteikumā par servisapkalpošanu (neatkarīgi no tā, kas to varētu veikt) jāietver detalizēti dati par sūknējamo šķidrumu, ja sūknis lietots šķidrumiem, kas ir kaitīgi veselībai vai toksiski.

SQE-NE. Tikai tādus sūkņus, ko var klasificēt kā nepiesārņotus, piem., sūkņus, kas satur materiālus, kuri nav kaitīgi un/vai toksiski, var nosūtīt sabiedrībai Grundfos servisapkalpošanas veikšanai.

Lai nepieļautu kaitējumu videi, kā arī to personu veselībai, kuras ir saistītas ar sūkņa apkopi, ir vajadzīgs dokumentāls apstiprinājums par to, ka sūknis ir tīrs.

Sabiedrībai Grundfos jāsaņem šis apstiprinājums pirms izstrādājuma piegādes. Citādi Grundfos var atteikties pieņemt sūkni servisapkalpošanai.

Iespējamos izdevumus, kas ir saistīti ar sūkņa atpakalnosūtīšanu, sedz pasūtītājs.

10. Bojājumu meklēšanas tabula

UZMANĪBU

Elektriskās strāvas trieciens

Nelielas vai vidēji smagas ķermeņa traumas



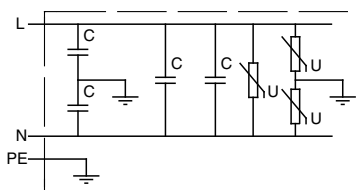
- Pirms darba pie sūkņa/motora jāpārbauda, vai elektroapgāde ir izslēgta un vai tā nevar nejauši ieslēgties.

Bojājums	Cēlonis	Rīcība
1. Sūknis nestrādā.	a) Kūstošie drošinātāji elektroinstalācijā ir pārdeguši.	Jānomaina kūstošie drošinātāji. Ja pārdeg arī jaunie drošinātāji, jāpārbauda elektroinstalācija un iegremdējama atzarojuma kabelis.
	b) Noplūdes aizsargslēdzis vai ar spriegumu kontrolējams noplūdes aizsargslēdzis ir atvienots.	Jāieslēdz slēdzis.
	c) Nav elektroapgādes.	Jāsazinās ar elektroapgādes uzņēmumu.
	d) Motora aizsardzība ir izslēgusi elektroapgādi pārslodzes dēļ.	Jāpārbauda, vai motors/sūknis nav bloķēts.
	e) Sūknis/iegremdējama atzarojuma kabelis ir bojāts.	Jāsalabo/jānomaina sūknis/kabelis.
	f) Konstatēts pārspriegums vai nepietiekams spriegums.	Jāpārbauda elektroapgāde.
2. Sūknis strādā, taču nesūknē ūdeni.	a) Spiedvārsts ir slēgts.	Jāatver vārsts.
	b) Urbumā nav ūdens vai tā līmenis ir pārāk zems.	Sk. 3 a).
	c) Pretvārsts ir iestrēdzis slēgtā pozīcijā.	Jāizvelk sūknis, un jāiztīra vai jānomaina vārsts.
	d) Sūknēšanas sietfiltrs ir aizsērējis.	Jāizvelk sūknis, un jāattīra sietfiltrs.
	e) Sūknis ir bojāts.	Jāsalabo/jānomaina sūknis.
3. Sūknis strādā ar pazeminātu ražīgumu.	a) Līmeņa pazeminājums ir lielāks, nekā paredzēts.	Jāpalielina sūkņa uzstādīšanas dziļums, sūknis jādroselē vai jānomaina ar mazāka modeļa sūkni, lai iegūtu mazāku plūsmas caurlaides spēju.
	b) Izvadcaurules vārsti ir daļēji slēgti/bloķēti.	Jāpārbauda un vajadzības gadījumā jātīra/jānomaina vārsti.
	c) Izvadcauruli ir daļēji nosprostojuši netīrumi (ohra).	Jātīra/jānomaina izvadcaurule.
	d) Sūkņa pretvārsts ir daļēji bloķēts.	Jāizvelk sūknis, un jāpārbauda/jānomaina vārsts.
	e) Sūknis un stāvvadu ir daļēji nosprostojuši netīrumi (ohra).	Jāizvelk sūknis. Jāpārbauda un vajadzības gadījumā jānotīra vai jānomaina sūknis. Jāiztīra caurules.
	f) Sūknis ir defektīvs.	Sūknis jāsalabo/jānomaina.
	g) Noplūde cauruļvadā.	Jāpārbauda un jāsalabo cauruļvads.
	h) Stāvvads ir defektīvs.	Jānomaina stāvvads.
	i) Konstatēts nepietiekams spriegums.	Jāpārbauda elektroapgāde.

Bojājums	Cēlonis	Rīcība
4. Biežas palaišanas un apturēšanas.	a) Spiediena releja starpība starp palaišanas un apturēšanas spiedieniem ir pārāk maza.	Jāpalielina starpība. Tomēr apturēšanas spiediens nedrīkst pārsniegt spiediena tvertnes darba spiedienu un palaišanas spiedienam jābūt pietiekami augstam, lai tiktu garantēta pietiekama ūdens padeve.
	b) Ūdens līmeņa elektrodī vai līmeņa releji tvertnē ir uzstādīti nepareizi.	Jāuzstāda elektrodu/līmeņa releju intervāli, lai nodrošinātu piemērotu laiku starp sūkņa ieslēgšanu un izslēgšanu. Sk. izmantoto automatisko ierīču uzstādīšanas un ekspluatācijas instrukcijās. Ja intervālus starp apturēšanu/palaišanu nav iespējams mainīt ar automatiskajām ierīcēm, sūkņa caurlaides spēju var samazināt, droseļējot spiedvārstu.
	c) Pretvārsts nav blīvs vai ir daļēji atvērts.	Jāizvelk sūknis, un jāattīra/jānomaina pretvārsts.
	d) Barošanas spriegums nav stabils.	Jāpārbauda elektroapgāde.
	e) Motora temperatūra ir pārāk augsta.	Jāpārbauda ūdens temperatūra.

10.1 Lielas elektriskās pretestības mērīšana

Sistēmā, kas ietver SQ/SQE sūknus, nav atļauts mērīt lielas elektriskās pretestības, jo var tikt bojātas iebūvētās elektroniskās ierīces, sk. 13. ilustr.



TIM02 0689 5000

13. ilustr.

11. Elektroapgādes pārbaude

BRĪDINĀJUMS

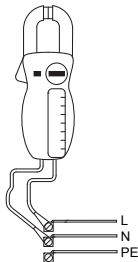
Elektriskās strāvas trieciens



Nāve vai smagas ķermeņa traumas

- Pirms darba pie sūkņa/motora jāpārbauda, vai elektroapgāde ir izslēgta un vai tā nevar nejauši ieslēgties.

1. Barošanas spriegums

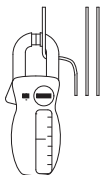


TM00 1371 4904

Jāizmēra spriegums (tālvadības mērīšanas sistēma) starp fāzi un neitrāli. Voltmetrs jāpieslēdz savienojuma spailēm.

Kad motors ir noslogotā stāvoklī, spriegumam jābūt sadaļā **5. Elektriskais savienojums** norādītajā diapazonā. Lielas barošanas sprieguma svārstības liecina par sliktu elektroapgādi, un sūknis jāizslēdz, līdz defekts ir izlabots.

2. Strāvas patēriņš



TM00 1372 5082

Jāizmēra strāvas stiprums (tālvadības mērīšanas sistēma), kamēr sūknis strādā konstantā šķidruma sūkņēšanas augstumā (ja iespējams, pie tādas plūsmas caurlaides spējas, kurā motoram ir vislielākā noslodze).

Maksimālo strāvas stiprumu sk. pases datu plāksnītē.

Ja strāvas stiprums pārsniedz maksimāli pieļaujamo strāvu, var būt šādi iespējamie bojājumi.

- Sliktis pievadu savienojums, iespējams kabeļu savienojumā.
- Pārāk zems barošanas spriegums, sk. 1. ailē.

12. Vides aspekti

Apstrādes, darbības, uzglabāšanas un transportēšanas laikā jāievēro visi norādījumi, kas ir saistīti ar vides aizsardzību un bīstamu materiālu apstrādi.

BRĪDINĀJUMS

Korozīva viela



Nāve vai smagas ķermeņa traumas

Izņemot sūkni no ekspluatācijas, jānodrošina, lai nekādi cilvēku veselībai un videi kaitīgi materiāli nepaliktu sūknī/motorā un stāvvadā.

Ja rodas kādas šaubas, jāsaazinās ar Grundfos vai vietējām vides aizsardzības iestādēm.

13. Likvidēšana

Šis izstrādājums un tā detaļas jālikvidē divi saudzējošā veidā:

1. Jāizmanto valsts vai privāto atkritumu savākšanas dienestu pakalpojumi.
2. Ja tas nav iespējams, jāsaazinās ar tuvāko sabiedrību Grundfos vai servisa darbnīcu.

Iespējami grozījumi.

Nederlands (NL) Installatie- en bedieningsinstructies

Vertaling van de oorspronkelijke Engelse versie

INHOUD

	Pagina
1. Symbolen die in dit document gebruikt worden	230
2. Algemeen	231
2.1 Toepassingen	231
3. Technische specificaties	232
3.1 Opslag	232
3.2 Geluidsdrukniveau	232
4. Voorbereiding	232
4.1 Bijvullen van motorvloeistof	232
4.2 Vereiste posities	233
4.3 Mediumtemperaturen/koeling	233
5. Elektrische aansluiting	234
5.1 Algemeen	234
5.2 Motorbeveiliging	234
5.3 Aansluiten van de motor	234
6. Installatie	235
6.1 Algemeen	235
6.2 Montage van het pompgedeelte op de motor	235
6.3 Demontage van de terugslagklep	235
6.4 Aansluiten van de kabelplug op de motor	236
6.5 Aanbrengen van de kabelgoot	236
6.6 Kabelafmetingen	237
6.7 Aansluiten van de onderwaterkabel	238
6.8 Leidingaansluiting	238
7. Opstarten	239
8. Bedrijf	239
8.1 Minimum volumestroom	239
8.2 Selectie en instellen voordruk membraanvat en afstellen van de drukschaakelaar	239
8.4 Ingebouwde beveiliging	241
9. Onderhoud en service	241
9.1 Verontreinigde pompen	241
10. Storingstabel	242
10.1 Isolatie-test	243
11. Controleren van de voedingsspanning	244
12. Milieu	244
13. Afvalverwijdering	244



Lees dit document voordat u de installatie gaat uitvoeren. De installatie en bediening moeten voldoen aan de lokale regelgeving en gangbare gedragscodes.



Dit apparaat kan worden gebruikt door kinderen van 8 jaar en ouder, en personen met verminderde lichamelijke, zintuiglijke of geestelijke vermogen of gebrek aan ervaring en kennis als zij onder toezicht staan of zijn geïnstrueerd in het veilige gebruik van het product en als zij de hieraan verbonden risico's begrijpen.

Kinderen mogen niet met het apparaat spelen. Het apparaat mag niet worden gereinigd en er mag geen onderhoud op worden uitgevoerd door kinderen die niet onder toezicht staan.

1. Symbolen die in dit document gebruikt worden

GEVAAR



Geeft een gevaarlijke situatie aan die, als deze niet wordt vermeden, zal resulteren in de dood of in ernstig persoonlijk letsel.

WAARSCHUWING



Geeft een gevaarlijke situatie aan die, als deze niet wordt vermeden, zou kunnen resulteren in de dood of in ernstig persoonlijk letsel.

LET OP



Geeft een gevaarlijke situatie aan die, als deze niet wordt vermeden, zou kunnen resulteren in licht of middelzwaar persoonlijk letsel.

De tekst bij de drie gevarensymbolen GEVAAR, WAARSCHUWING en LET OP zal als volgt worden gestructureerd:

SIGNAALWOORD



Beschrijving van gevaar

- Gevolg van negeren van waarschuwing.
- Actie om het gevaar te vermijden.



Een blauwe of grijze cirkel met een wit grafisch symbool geeft aan dat een actie moet worden uitgevoerd.



Een rode of grijze cirkel met een diagonale balk, mogelijk met een zwart grafisch symbool, geeft aan dat een actie niet moet worden uitgevoerd of moet worden gestopt.



Als deze instructies niet in acht worden genomen, kan dit resulteren in technische fouten en schade aan de installatie.



Tips en advies om het werk gemakkelijker te maken.

2. Algemeen

WAARSCHUWING



Elektrische schok

- Dood of ernstig persoonlijk letsel
- De pomp mag niet gebruikt worden wanneer er mensen in het water zijn.

Op pagina 412 van deze installatie- en bedieningsinstructies vindt u kopieën van de typeplaatjes van de pomp en de motor.

Alvorens de SQ/SQE-pomp in de bron te laten zakken, dienen deze kopieën te zijn ingevuld.

Zorg ervoor dat de installatie- en bedieningsinstructies als naslagwerk in de directe omgeving van de installatieplaats worden bewaard.

2.1 Toepassingen

De **SQ** en **SQE**-pompen zijn ontwikkeld voor het verpompen van dunne, schone, niet-agressieve, niet-explosieve media, die geen vaste deeltjes of vezels bevatten.

Voorbeelden van toepassingen:

- Grondwatervoorziening voor:
 - particulieren
 - kleine verdeelstations
 - irrigatiesystemen in bijvoorbeeld kassen.
- Vloeistoftransport in reservoirs.
- Drukverhoging.

De **SQE-NE**-pompen zijn ontwikkeld voor het verpompen van dunne, schone, niet-explosieve media, die geen vaste deeltjes of vezels bevatten.

Deze pompen zijn geschikt voor het verpompen van verontreinigd grondwater of grondwater dat waterstofcarbonaat bevat, afkomstig van bijvoorbeeld:

- vuilstortplaatsen
- chemische opslagplaatsen
- industriegebieden
- pompstations
- milieutoepassingen.

De **SQE-NE**-pompen zijn eveneens geschikt voor bemonstering en bewaking en tot op zekere hoogte voor integratie in waterbehandelingssystemen.

Informatie geldend voor alle pomptypen:

Het max. zandgehalte van het water mag niet hoger zijn dan 50 g/m³. Meer zand in het water vermindert de levensduur van de pomp en verhoogt het risico dat de pomp blokkeert.

Als de pomp wordt gebruikt voor het verpompen van vloeistof met een hogere viscositeit dan water dient u contact op te nemen met Grundfos.

pH-waarden

SQ en SQE: 5 tot 9.

SQE-NE: Neem contact op met Grundfos.

Mediumtemperatuur:

De temperatuur van de te verpompen media mag niet hoger zijn dan 35 °C.

N.B.

3. Technische specificaties

Voedingsspanning:

1 x 200-240 V - 10 %/+ 6 %, 50/60 Hz, PE.

Generatorbedrijf: het vermogen van de generator moet minimaal gelijk zijn aan die van de motor P_1 (kW) + 10 %.

Aanloopstroom:

De aanloopstroom is gelijk aan de hoogste waarde die op het typeplaatje van de motor staat vermeld.

Vermogensfactor:

PF = 1.

Motorvloeistof:

Type SML 2.

Motorkabel:

1,5 m, 3 x 1,5 mm², PE.

Mediumtemperatuur:

Max. 35 °C.

Persaansluiting:

SQ 1, SQ 2, SQ 3: Rp 1 1/4.

SQ 5, SQ 7: Rp 1 1/2.

Pompdiameter:

74 mm.

Diameter bron:

Min. 76 mm.

Installatiediepte:

Max. 150 m onder een statisch waterpeil.

Zie ook par. [6.8.2 Installatiediepten](#).

Netto gewicht:

Max. 6,5 kg.

3.1 Opslag

Opslagtemperatuur: -20 °C tot +60 °C.

3.1.1 Bescherming tegen bevriezing

Wanneer de pomp na gebruik wordt opgeslagen, dient dit op een vorstvrije plaats te gebeuren, of u dient zich ervan te vergewissen dat de gebruikte motorvloeistof vorstbestendig is.

De motor mag niet worden opgeslagen zonder met motorvloeistof te zijn gevuld.

3.2 Geluidsdrukniveau

Het geluidsdrukniveau van de pomp ligt binnen de grenzen als vermeld in de Richtlijn van de Europese Raad inzake de onderlinge aanpassing van de wetgevingen van de Lid-Staten betreffende machines (2006/42/EG).

4. Voorbereiding

De MS 3- en MSE 3-onderwatermotoren van Grundfos zijn voorzien van watergesmeerde glijlagers. Extra smering is niet vereist.

De onderwatermotoren zijn in de fabriek gevuld met een speciale vloeistof van Grundfos (type SML 2), die vorstbestendig is tot -20 °C en de groei van bacteriën voorkomt.

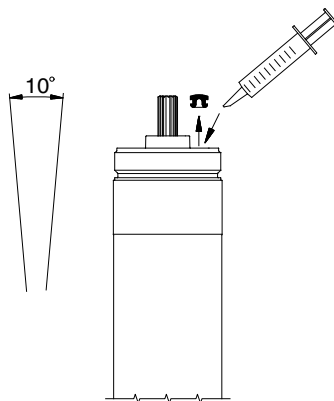
Het niveau van de motorvloeistof is doorslaggevend voor de gebruiksduur van de lagers en derhalve voor de levensduur van de motor.

4.1 Bijvullen van motorvloeistof

Als om wat voor reden dan ook de motorvloeistof is weggelekt, moet de motor bijgevoerd worden met Grundfos motorvloeistof SML 2.

Hoe de vloeistof moet worden bijgevoerd, staat hieronder beschreven:

1. Verwijder de kabelgoot en verwijder het pompgedeelte van de motor.



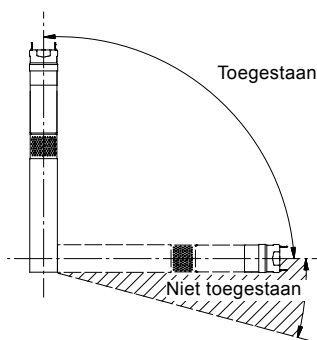
Afb. 1

2. Zet de motor in verticale positie en houd de motor enigszins scheef (ongeveer 10 °).
3. Verwijder de vulschroef met bijv. een schroevendraaier.
4. Injecteer vloeistof in de motor met behulp van bijv. een vulspuit.
5. Beweeg de motor heen en weer, zodat er eventueel lucht uit de motor kan ontsnappen.
6. Draai de schroef weer stevig vast.
7. Sluit het pompgedeelte aan op de motor.
8. Breng de kabelgoot weer aan.

De onderwaterpomp is nu gereed om te worden geïnstalleerd.

4.2 Vereiste posities

De pomp kan zowel verticaal als horizontaal worden geïnstalleerd. De pomp mag evenwel **nooit** beneden het horizontale vlak worden geplaatst (zie afb. 2).



Afb. 2

Indien de pomp horizontaal wordt geïnstalleerd (bijv. in een reservoir) en het risico bestaat dat de pomp door modder wordt bedekt, dient de pomp in een koelmantel te worden gemonteerd.

Raadpleeg voor de installatiediepten par.

[6.8.2 Installatiediepten.](#)

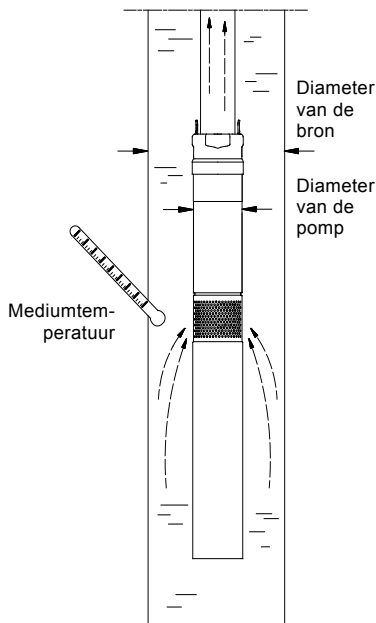
4.3 Mediumtemperaturen/koeling

Afbeelding 3 toont een SQ/SQE-pomp die in een bron is geïnstalleerd. De pomp is in bedrijf.

Uit de afbeelding is het volgende af te lezen:

- Diameter van de bron
- Diameter van de pomp
- Temperatuur van het verpompte medium
- Strooming langs de motor naar de zuigkorf van de pomp.

TM01 1375 4397



TM01 0518 1297

Afb. 3

Voor een adequate koeling van de motor is het van belang om de maximale temperatuur van het medium van 35 °C onder alle omstandigheden in acht te nemen.



De diameter van de bron moet ten minste 76 mm zijn.

De motor dient te allen tijde boven de bronwand te worden geïnstalleerd. Bij gebruik van een koelmantel kan de pomp zonder belemmering in de bron worden geïnstalleerd.



Zorg ervoor dat de pomp niet langer dan 5 minuten tegen een gesloten persleiding draait. Als de persleiding gesloten is, komt er geen koelvloeistof vrij en bestaat de kans dat motor en pomp oververhit raken.

Indien de werkelijke temperatuur van het verpompte medium de gestelde waarde overschrijdt, of als de bedrijfsomstandigheden anderszins niet aan de voorwaarden voldoen, kan de pomp uitvallen. Neem in dat geval contact op met Grundfos.

5. Elektrische aansluiting

5.1 Algemeen

De elektrische aansluiting dient door een erkend installateur te worden uitgevoerd volgens de in Nederland/België geldende voorschriften.

WAARSCHUWING

Elektrische schok

Dood of ernstig persoonlijk letsel

- Voordat u met werkzaamheden aan de pomp begint, dient u er zeker van te zijn dat de voedingsspanning naar de pomp is afgeschakeld en niet per ongeluk kan worden ingeschakeld.
- De pomp dient geaard te zijn.
- De pomp dient te zijn aangesloten via een externe werschakelaar met een contact-opening van ten minste 3 mm in alle polen.
- Als de motorkabel beschadigd is, dan dient deze te worden vervangen door Grundfos, een geautoriseerde servicewerkplaats van Grundfos of vergelijkbaar gekwalificeerde personen, ter vermindering van een risico.



De voedingsspanning, de nominale max. ingangsstroom en vermogensfactor (PF) staan vermeld op het typeplaatje van de motor.

De vereiste spanningsvoorziening bedraagt voor onderwatermotoren van Grundfos, gemeten aan de aansluitklemmen van de motoren, - 10 %/+ 6 % van de nominale spanning gedurende continubedrijf (wisselingen in de voedingsspanning en verliezen in de bekabeling inbegrepen).

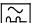
WAARSCHUWING

Elektrische schok

Dood of ernstig persoonlijk letsel

- Indien de pomp is aangesloten op een elektrische installatie die extra beveiligd is met een aardlekschakelaar, **moet** deze schakelaar de pomp uitschakelen wanneer zich een aardlekstroom met pulserende gelijkstroomcomponent voordoet.



Dit type aardlekschakelaar **moet** van het volgende symbool voorzien zijn: .

Voedingsspanning:

1 x 200-240 V - 10 %/+ 6 %, 50/60 Hz, PE.

Het stroomverbruik is alleen te controleren met behulp van een echte RMS-meter. Wordt een ander meetinstrument gebruikt, dan zal de gemeten waarde afwijken van de werkelijke waarde.

Bij SQ/SQE pompen, is het gewoonlijk een lekstroom van 2,5 mA bij 230 V, 50 Hz, te meten. De lekstroom verloopt proportioneel met de voedingsspanning.

De SQE- en SQE-NE-pompen kunnen op een besturingskast van het type CU 300 of CU 301 worden aangesloten.



Sluit de pomp nooit aan op een condensator of een besturingskast van een ander type dan de CU 300 of CU 301.
Sluit de pomp nooit aan op een externe frequentie-omvormer.

5.2 Motorbeveiliging

De motor is uitgerust met een ingebouwde thermische overbelastingsbeveiliging; extra motorbeveiliging is niet nodig.

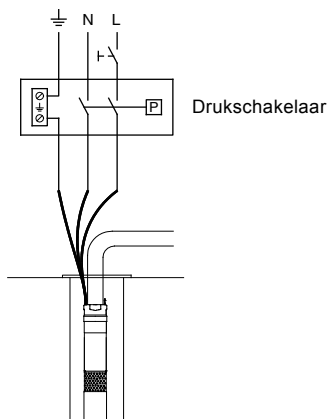
5.3 Aansluiten van de motor

De motor is uitgerust met een ingebouwde starter en kan daarom rechtstreeks op het elektriciteitsnet worden aangesloten.

De pomp kan met een drukschakelaar in- en uitgeschakeld worden (zie afb. 4).



De drukschakelaar moet geschikt zijn voor de max. stroomsterkte van de desbetreffende pomp.



Afb. 4

6. Installatie

6.1 Algemeen

WAARSCHUWING

Elektrische schok

Dood of ernstig persoonlijk letsel



- Voordat u met werkzaamheden aan de pomp/motor begint, dient u er zeker van te zijn dat de voedingsspanning naar de pomp is afgeschakeld en niet per ongeluk kan worden ingeschakeld.



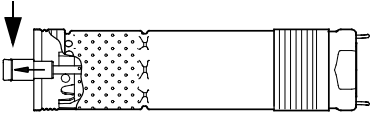
Gebruik de motorkabel niet om de pomp te laten zakken of op te hijsen.

Het losse typeplaatje dat bij de pomp wordt geleverd, dient in de directe omgeving van de installatieplaats te worden opgehangen.

6.2 Montage van het pompgedeelte op de motor

Monteer het pompgedeelte als volgt op de motor:

1. Zet de motor vast in een bankschroef (zie afb. 6).
2. Trek de pompas uit, naar de positie, zoals getoond wordt in afb. 5.

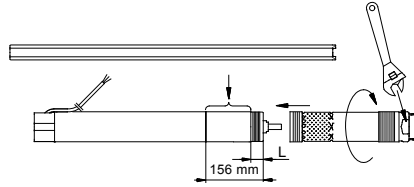


Afb. 5

3. Smeer het aseinde van de motor met het bijgeleverde vet.
4. Schroef het pompgedeelte aan de motor vast (55 Nm).

Voorzichtig: De pompas moet op de motoras passen.

Er kan een Engelse sleutel (bahco) worden gebruikt voor de klemvlakken van het pompgedeelte (zie afb. 6).



Afb. 6

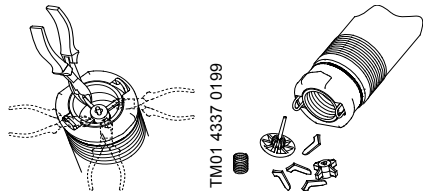
Motor (P2) [kW]	L [mm]
0,70	120
1,15	102
1,68	66
1,85	66

Een deugdelijke montage houdt in dat er geen vrije ruimte is tussen het pompgedeelte en de motor.

6.3 Demontage van de terugslagklep

Indien de terugslagklep niet nodig is, kan deze op de volgende wijze gedemonteerd worden.

1. De klepleiding verwijderen met een zijknijptang (zie afb. 7).
2. Houd de pomp op zijn kop.
3. Controleer of alle losse onderdelen uit de pomp gevallen zijn.



Afb. 7



Type SQE-NE wordt zonder terugslagklep geleverd.

De terugslagklep kan bij Grundfos in de werkplaats, indien gewenst, worden gemonteerd.

6.4 Aansluiten van de kabelplug op de motor

WAARSCHUWING

Elektrische schok

Dood of ernstig persoonlijk letsel



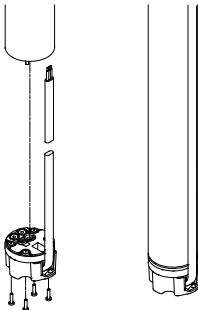
- De kabelplug mag onder geen enkele voorwaarde door de gebruiker worden vervangen.
- De kabel met stekkerverbinding dient in een Grundfos werkplaats, of door een voldoende gekwalificeerd persoon, gemonteerd en gedemonteerd te worden.

De volgende beschrijving is uitsluitend bedoeld voor servicepersoneel. Als de motorkabel vervangen dient te worden, zie dan paragraaf **5.1 Algemeen**.

De kabelplug is in de fabriek van een smeermiddel voorzien. Controleer dit!

Monteer de kabelplug als volgt:

1. Controleer of de kabel van het juiste type is en of de dwarsdoorsnede en lengte kloppen.
2. Controleer of het elektriciteitsnet op de locatie correct op de aarde is aangesloten.
3. Controleer of de connector op de motor schoon en droog is. Zorg er voor dat de pakking weer bevestigd wordt.
4. Druk de kabelplug in de connector van de motor (zie afb. 8). De plug kan niet verkeerd gemonteerd worden.



Afb. 8

TM02 9605 3504

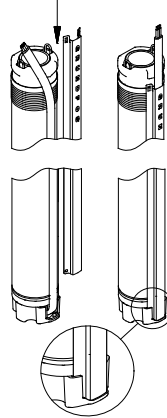
5. Breng de vier schroeven aan en draai ze vast (1 - 1,5 Nm), zie afb. 8.

Bij een deugdelijk aangebrachte plug is er geen vrije ruimte tussen de motor en de kabelplug.

6.5 Aanbrengen van de kabelgoot

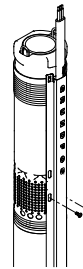
Breng de kabelgoot als volgt aan:

1. Zorg ervoor dat de onderwaterkabel recht in de kabelgoot ligt.
2. Plaats de kabelgoot in de groef van de kabelplug. De twee vleugeltjes van de kabelgoot moeten aan de bovenrand van de pompmantel worden vastgehaakt (zie afb. 9).



Afb. 9

3. Schroef de kabelgoot aan de zuigkorf vast met de meegeleverde twee schroeven (zie fig. 10).



Afb. 10

TM02 9613 3504

TM01 4427 0299

6.6 Kabelafmetingen

Grundfos heeft onderwaterkabels voor ieder type installatie.



De dwarsdoorsnede van de onderwaterkabel moet groot genoeg zijn om aan de spanningseisen (zie par. 5.1 Algemeen) te voldoen.

De waarden in onderstaande tabel zijn berekend aan de hand van de volgende formule

$$q = \frac{I \times 2 \times 100 \times PF \times L \times \rho}{U \times \Delta U}$$

q = Dwarsdoorsnede van de onderwaterkabel [mm²].

I = Nominale max. stroomsterkte van de motor [A].

PF = 1,0.

L = Lengte van de onderwaterkabel [m].

ρ = Soortelijk weerstand: 0,02 [Ωmm²/m].

U = Nominale spanning [V].

ΔU = Spanningsverlies [%] = 4 %.

Het spanningsverlies van 4 % is in overeenstemming met IEC 364, serie HD-384.

De berekening levert de volgende maximum kabel-lengtes op bij een voedingsspanning van 240 V:

		Maximumkabel lengte [m]					
Motor (P2)	I _N	Kabeldoorsnede					
		1,5 mm ²	2,1 mm ² / 14 AWG	2,5 mm ²	3,3 mm ² / 12 AWG	4 mm ²	6 mm ²
[kW]	[A]						
0,7	5,2	80	112	133	176	213	320
1,15	8,4	50	69	83	109	132	198
1,68	11,2	37	52	62	82	99	149
1,85	12	35	49	58	76	92	139

6.7 Aansluiten van de onderwaterkabel

Gebruik voor het aansluiten van de kabels bij voorkeur een Grundfos-kabelverbindingsset van het type KM.

Kabelverbindingsset, type KM	
Oppervlak van de dwarsdoorsnede	Artikelnummer
1,5 tot 6,0 mm ²	96021473

Voor grotere dwarsdoorsneden kunt u contact opnemen met Grundfos.

6.8 Leidingaansluiting

Houd de pomp alleen vast bij de perskamer indien bijv. een buizentang met ketting wordt gebruikt voor montage van de stijpbuis.

Voor het aansluiten van een pomp op een kunststofleiding dient een flexibele koppeling te worden gebruikt.



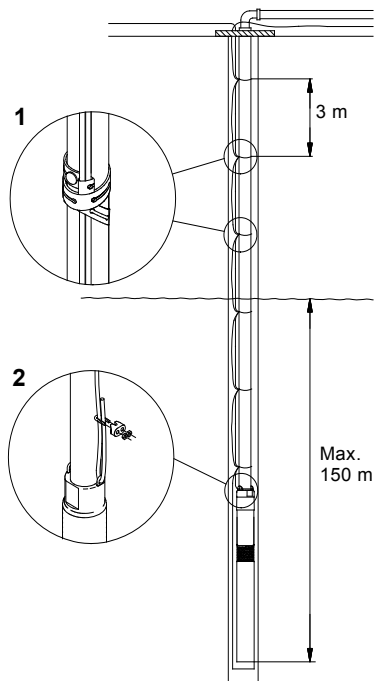
Aansluiten van kunststofleidingen

Alvorens de installatiediepte van de pomp te bepalen moet rekening worden gehouden met de uitzettingsgraad van kunststofleidingen, omdat dergelijke leidingen onder belasting uitzetten.

Als gebruik wordt gemaakt van flenspijpen, dienen de flenzen te zijn voorzien van sleuven voor de onderwaterkabel.

Afbeelding 11 toont een pompinstallatie, waaruit het volgende kan worden afgelezen:

- De positie van de kabelklemmen, pos. 1, en de afstand tussen de klemmen.
- Het aanbrengen van de beveiligingskabel, pos. 2.
- De max. installatiediepte onder het statisch waterpeil.



Afb. 11

6.8.1 Kabelklemmen

Om de drie meter moet een kabelklem worden aangebracht (zie afb. 11).

Bij gebruik van kunststofleidingen dienen de kabelklemmen met enige speling te worden aangebracht, omdat kunststofleidingen onder belasting uitzetten.

Als gebruik wordt gemaakt van flensleidingen, dienen de kabelklemmen boven en onder elke leidingaansluiting te worden aangebracht.

TM01 0480 4397

6.8.2 Installatiediepten

Max. installatiediepte onder het statisch waterpeil: 150 meter, zie afb. 11.

Min. installatiediepte onder het dynamisch waterpeil:

- **Verticale installatie:**
Tijdens opstarten en bedrijf dient de pomp altijd volledig ondergedompeld te zijn in het water.
- **Horizontale installatie:**
De pomp moet zich na installatie en tijdens bedrijf ten minste 0,5 m onder het dynamisch waterpeil bevinden.
Als het risico bestaat dat de pomp door modder wordt bedekt, moet de pomp altijd in een koelmantel worden gemonteerd.

6.8.3 Pomp laten zakken

Het verdient aanbeveling te pomp vast te zetten met een beveiligingskabel (zie afb. 11, pos. 2).

Vier de beveiligingskabel zodanig dat de kabel niet meer belast wordt en bevestig de kabel met behulp van kabelwartels aan de bronafdichting.



De beveiligingskabel mag in geen geval gebruikt worden om de pomp en de stijleiding uit het brongat te hijsen.



Gebruik de motorkabel niet om de pomp te laten zakken of op te hijsen.

7. Opstarten

Vergewis u ervan dat de pomp minstens evenveel vloeistof pompt als de bron oplevert.

Start de pomp pas als deze volledig is ondergedompeld.

De pomp mag pas worden gestopt wanneer het medium schoon is, anders kunnen namelijk de onderdelen van de pomp en de terugslagklep verstoort raken.

8. Bedrijf

8.1 Minimum volumestroom

Om er zeker van te zijn dat de motor voldoende wordt gekoeld, mag de volumestroom van de pomp nooit lager worden ingesteld dan op 50 l/h.

Een plotselinge daling van de volumestroom kan optreden doordat de pomp meer water pompt dan de bron oplevert. Schakel de pomp in dat geval uit en verhelp het probleem.



De droogloopbeveiliging functioneert uitsluitend bij bedrijf binnen het aanbevolen capaciteitsbereik van de pomp.

8.2 Selectie en instellen voordruk membraanvat en afstellen van de drukschakelaar

WAARSCHUWING



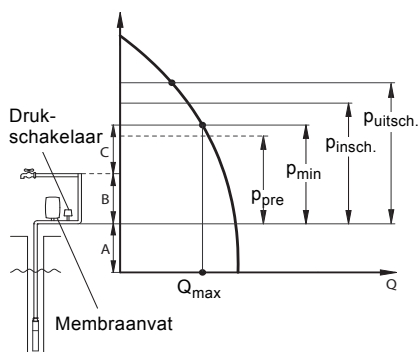
Systeem onder druk

Dood of ernstig persoonlijk letsel

- De installatie moet zijn ontworpen voor de maximum pompdruk.

Aangezien de pomp is uitgerust met een softstarter met een aanlooptijd van 2 seconden, zal tijdens het starten de druk bij de drukschakelaar en het membraanvat lager zijn dan de inschakeldruk van de pomp, die op de drukschakelaar is ingesteld ($p_{\text{insch.}}$). Deze lagere druk wordt aangeduid als de minimum druk (p_{min}).

p_{min} is gelijk aan de gewenste minimum druk op het hoogste tappunt vermeerderd met de statische opvoerhoogte en het leidingverlies in de leiding vanaf de drukschakelaar tot aan het hoogste tappunt ($p_{\text{min}} = B + C$), zie afb. 12.



Afb. 12

- A: Statische opvoerhoogte + leidingverlies vanaf het dynamische waterpeil tot het membraanvat.
- B: Statische opvoerhoogte + leidingverlies vanaf het membraanvat tot het hoogste tappunt.
- C: Minimum druk bij het hoogste tappunt.



Wees er zeker van, dat de geselecteerde pomp een druk geeft hoger dan $p_{\text{uitsch.}} + A$.

- p_{pre} : Voordruk van membraanvat.
- p_{min} : Gewenste minimum druk.
- $p_{\text{insch.}}$: Inschakeldruk ingesteld op drukschakelaar.
- $p_{\text{uitsch.}}$: Uitschakeldruk ingesteld op drukschakelaar.
- Q_{max} : Maximum capaciteit bij p_{min} .

TM00 6445 3795

8.3 Drukoverbelasting van bronsysteem

Teneinde bescherming tegen overdruk te bieden, installeert u een overdrukventiel stroomafwaarts van de boorput. Het setpoint van het overdrukventiel moet ten minste 30 psi boven de drukinstelling liggen.

Als u een overdrukventiel installeert, adviseren wij u dit aan te sluiten op een geschikt afvoerpunt.

Uitgaande van p_{\min} en Q_{\max} , kan met onderstaande tabel, de **minimum** inhoud en de voordruk van het membraanvat, alsmede de in- en uitschakeldruk worden bepaald:

Voorbeeld:

$p_{\min} = 35$ m.w.k., $Q_{\max} = 2,5$ m³/h.

Op basis van deze informatie, kunnen in de tabel de volgende waarden worden gevonden:

Minimum inhoud membraanvat = 33 liter.

$p_{\text{pre}} = 31,5$ m.w.k.

$p_{\text{insch.}} = 36$ m.w.k.

$p_{\text{uitsch.}} = 50$ m.w.k.

p_{\min} [m]	Q_{\max} [m ³ /h]																p_{pre} [m]	$p_{\text{insch.}}$ [m]	$p_{\text{uitsch.}}$ [m]		
	0,6	0,8	1	1,2	1,5	2	2,5	3	3,5	4	4,5	5	5,5	6	6,5	7				7,5	8
Inhoud van het membraanvat [liter]																					
25	8	8	18	18	18	18	24	33	33	50	50	50	50	80	80	80	80	80	22,5	26	40
30	8	8	18	18	18	24	33	33	50	50	50	50	80	80	80	80	80		27	31	45
35	8	18	18	18	18	24	33	33	50	50	50	80	80	80	80	80			31,5	36	50
40	8	18	18	18	18	24	33	50	50	50	80	80	80	80	80				36	41	55
45	8	18	18	18	24	33	33	50	50	50	80	80	80	80					40,5	46	60
50	8	18	18	18	24	33	50	50	50	80	80	80	80						45	51	65
55	18	18	18	18	24	33	50	50	50	80	80	80							49,5	56	70
60	18	18	18	18	24	33	50	50	80	80	80	80							54	61	75
65	18	18	18	24	24	33	50	50	80	80	80	80							58,5	66	80

1 m.w.k. = 0,098 bar.

8.4 Ingebouwde beveiliging

De motor is uitgerust met een ingebouwde elektronische eenheid die de motor bij verschillende situaties beveiligd.

In geval van overbelasting wordt de pomp gedurende 5 minuten stilgelegd door de ingebouwde overbelastingsbeveiliging. Na 5 minuten wordt een herstartpoging ondernomen.

Als de pomp is gestopt als gevolg van drooglopen, zal na 5 minuten een automatische herstart plaatsvinden.

Als de pomp weer gestart wordt en de put leeg is, zal de pomp na 30 seconden stoppen.

De pomp resetten: schakel de voedingsspanning gedurende 1 minuut uit.

Verder is de motor beveiligd tegen:

- droogloop
- piekspanning (tot 6000 V)
In gebieden met een hoge bliksem intensiteit, is een externe bliksembeveiliging benodigd.
- overspanning
- onderspanning
- overbelasting en
- te hoge temperatuur.

SQE pompen/MSE 3 motoren:



De droogloop beveiliging van de MSE 3 motoren kan door middel van de CU 300 of CU 301 aangepast worden aan de betreffende applicatie.

9. Onderhoud en service

De pompen zijn normaal gesproken onderhoudsvrij. Met het oog op mogelijke slijtage en sedimentatie kunnen bij Grundfos service kits en onderhoudsgereedschap worden besteld.

Het onderhoudsboek van Grundfos is leverbaar op aanvraag.

De pompen kunnen bij een onderhoudswerkplaats van Grundfos voor servicewerkzaamheden worden aangeboden.

9.1 Verontreinigde pompen



Indien een pomp is gebruikt voor het verpompen van vloeistof die schadelijk is voor de gezondheid, wordt deze pomp als verontreinigd beschouwd.

Wanneer Grundfos wordt verzocht een pomp een servicebeurt te geven, dienen alle gegevens over het gepompte medium enz. aan Grundfos te worden doorgegeven *voordat* de pomp aan Grundfos wordt geretourneerd. Gebeurt dat niet, dan kan Grundfos weigeren de pomp een servicebeurt te geven.

Indien de pomp is gebruikt voor media die schadelijk zijn voor de gezondheid, dient de aanvraag voor een servicebeurt (ongeacht aan wie) te allen tijde vergezeld te gaan van gegevens over het gepompte medium.

SQE-NE: Uitsluitend pompen die als niet verontreinigd gewaarmerkt kunnen worden, d.w.z. pompen die geen gevaarlijke of giftige stoffen bevatten, kunnen naar Grundfos worden gestuurd voor onderhoud.

Ter bescherming van de gezondheid van ons personeel en het milieu dient een document te worden toegevoegd met een waarmerk dat de pomp is gereinigd.

Grundfos moet eerst dit waarmerk ontvangen en daarna pas de pomp. Gebeurt dat niet, dan kan Grundfos weigeren de pomp een servicebeurt te geven.

Eventuele kosten voor het retourneren van de pomp zijn voor rekening van de klant.

10. Storingstabel

LET OP

Elektrische schok

Licht of middelzwaar persoonlijk letsel



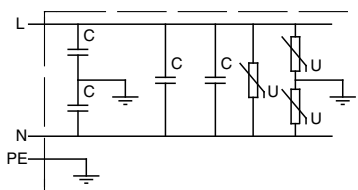
- Voordat u met werkzaamheden aan de pomp/motor begint, dient u er zeker van te zijn dat de voedingsspanning naar de pomp is afgeschakeld en niet per ongeluk kan worden ingeschakeld.

Storing	Oorzaak	Oplossing
1. De pomp werkt niet.	a) De zekeringen in de elektrische installatie zijn doorgebrand.	Vervang de doorgebrande zekeringen. Als ook de nieuwe zekeringen doorbranden, dienen de elektrische installatie en de onderwaterkabel te worden nagekeken.
	b) De aardlekschakelaar of de spanningsgestuurde aardlekschakelaar heeft de motor uitgeschakeld.	Activeer de vermogensschakelaar.
	c) Geen voedingsspanning.	Neem contact op met het elektriciteitsbedrijf.
	d) De motorbeveiliging heeft de voedingsspanning uitgeschakeld door overbelasting.	Controleer of de motor/pomp is geblokkeerd.
	e) De pomp/onderwaterkabel is defect.	Repareer/vervang de pomp/kabel.
	f) Overspanning of onderspanning.	Controleer de voedingsspanning.
2. De pomp werkt, maar er komt geen water uit.	a) De persafsluiter is gesloten.	Open de afsluiter.
	b) Geen water of te laag waterpeil in bron.	Zie punt 3 a).
	c) De terugslagklep is gesloten en geblokkeerd.	Haal de pomp uit de bron. Reinig of vervang de terugslagklep.
	d) Het inlaatfilter is verstopt.	Haal de pomp uit de bron. Reinig het inlaatfilter.
	e) De pomp is defect.	Repareer/vervang de pomp.
3. De pomp werkt met verminderde capaciteit.	a) Het waterpeil daalt sneller dan voorzien.	Verhoog de installatiediepte van de pomp, smoor de pomp of vervang de pomp door een kleiner model om een kleinere capaciteit te verkrijgen.
	b) De afsluiters in de persleiding zijn gedeeltelijk gesloten/ geblokkeerd.	Controleer/reinig/vervang indien nodig de afsluiters.
	c) De persleiding is gedeeltelijk verstopt door verontreinigingen (oker).	Reinig/vervang de persleiding.
	d) De terugslagklep van de pomp is gedeeltelijk geblokkeerd.	Haal de pomp uit de bron. Controleer/vervang de terugslagklep.
	e) De pomp en de stijgbuis zijn gedeeltelijk verstopt door verontreinigingen (oker).	Haal de pomp uit de bron. Controleer en reinig of vervang de pomp, indien nodig. Reinig de leidingen.
	f) De pomp is defect.	Repareer/vervang de pomp.
	g) Lekkage in de leidingen.	Controleer/repareer de leidingen.
	h) De stijgbuis is defect.	Vervang de stijgbuis.
	i) De spanning is te laag.	Controleer de voedingsspanning.

Storing	Oorzaak	Oplossing
4. De pomp start en stopt vaak.	a) Het drukverschil van de drukschakelaar tussen in- en uitschakeldruk is te klein.	Verhoog het drukverschil. De uitschakeldruk mag echter niet hoger zijn dan de werkdruk van het drukvat en de inschakeldruk dient hoog genoeg te zijn om voor voldoende watertoevoer te kunnen zorgen.
	b) De waterpeilelektroden of niveauschakelaars in het reservoir zijn niet juist geïnstalleerd.	Pas de intervallen van de elektroden/niveauschakelaars aan om er zeker van te zijn dat er voldoende tijd is tussen het in- en uitschakelen van de pomp. Zie de installatie- en bedieningsinstructies voor de gebruikte automatische apparatuur. Als de intervallen tussen starten/stoppen niet gewijzigd kunnen worden via de automatische apparatuur, is het mogelijk de pompcapaciteit te verkleinen door de persafsluiter te smoren.
	c) De terugslagklep lekt of is halfgeopend blijven steken.	Haal de pomp uit de bron. Reinig/vervang de terugslagklep.
	d) De voedingsspanning is onstabiel.	Controleer de voedingsspanning.
	e) De temperatuur van de motor wordt te hoog.	Controleer de watertemperatuur.

10.1 Isolatie-test

Op een installatie waarin SQ/SQE-pompen zijn opgenomen, mag geen isolatietest worden uitgevoerd, aangezien hierdoor de ingebouwde elektronica kan worden beschadigd, zie afb. 13.



TM02 0689 5000

Afb. 13

11. Controleren van de voedingsspanning

WAARSCHUWING

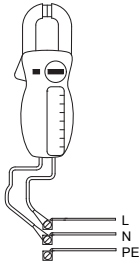
Elektrische schok

Dood of ernstig persoonlijk letsel



- Voordat u met werkzaamheden aan de pomp/motor begint, dient u er zeker van te zijn dat de voedingsspanning naar de pomp is afgeschakeld en niet per ongeluk kan worden ingeschakeld.

1. Voedingsspanning



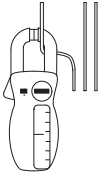
TM00 1371 4904

Meet de spanning (RMS) tussen fase en neutraal. Sluit de voltmeter aan op de aansluitpunten van de motor.

De spanning dient zich bij belasting van de motor tussen de in hoofdstuk 5. *Elektrische aansluiting* opgegeven grenswaarden te bevinden.

Grote spanningsverschillen wijzen op een slechte stroomtoevoer. Zet de pomp stil tot dat het defect is hersteld.

2. Stroomverbruik



TM00 1372 5082

Meet de stroomsterkte (RMS) terwijl de pomp draait bij een constante persaansluiting (indien mogelijk bij de capaciteit waarbij de motor het zwaarst wordt belast). Zie het typeplaatje voor de max. bedrijfsstroom.

Is de stroomsterkte groter dan de vollaststroom, dan zijn de volgende oorzaken mogelijk:

- Slecht contact in de bedrading, mogelijk bij kabelverbinding.
- Te zwakke voedingsspanning (zie punt 1).

12. Milieu

Tijdens bedrijf, bediening, opslag en transport dienen alle milieuvorschriften voor behandeling van gevaarlijke materialen te worden nageleefd.

WAARSCHUWING

Corrosieve stof

Dood of ernstig persoonlijk letsel



- Als de pomp buiten bedrijf wordt gesteld, dient u zich ervan te vergewissen dat er geen gevaarlijke stoffen zijn achtergebleven in de pomp/motor en stijgbuis die gevaar kunnen opleveren voor mens en milieu.

Neem bij twijfel contact op met Grundfos of met de plaatselijke autoriteiten.

13. Afvalverwijdering

Dit product, of onderdelen van dit product dienen op een milieuvriendelijke manier afgevoerd te worden:

1. Breng het naar het gemeentelijke afvaldepot.
2. Wanneer dit niet mogelijk is, neemt u dan contact op met uw Grundfos leverancier.

Tłumaczenie oryginalnej wersji z języka angielskiego

SPIS TREŚCI

	Strona
1. Symbole stosowane w tej instrukcji	245
2. Dane ogólne	246
2.1 Przeznaczenie	246
3. Dane techniczne	247
3.1 Składowanie	247
3.2 Poziom ciśnienia akustycznego	247
4. Przygotowanie do montażu	247
4.1 Dopełnianie silnika cieczą	247
4.2 Warunki instalowania	248
4.3 Temperatura czynnika / chłodzenie silnika	248
5. Przyłącze elektryczne	249
5.1 Informacje ogólne	249
5.2 Zabezpieczenie silnika	249
5.3 Przyłączenie silnika	249
6. Montaż	250
6.1 Informacje ogólne	250
6.2 Połączenie silnika z pompą	250
6.3 Demontaż zaworu zwrotnego	250
6.4 Montaż wtyku kabla na silniku	251
6.5 Montaż szyny ochronnej kabla	251
6.6 Dobór kabla	252
6.7 Łączenie kabli	253
6.8 Przyłączenie rurociągu	253
7. Uruchomienie	254
8. Eksploatacja	254
8.1 Przepływ minimalny	254
8.2 Dobór membranowego zbiornika ciśnieniowego oraz nastawienie ciśnienia wstępnego i łącznika ciśnieniowego	254
8.4 Wbudowane zabezpieczenia	256
9. Konserwacja i serwis	256
9.1 Pompy skażone	256
9.2 Części zamienne / osprzęt	256
10. Przegląd zakłóceń	257
10.1 Kontrola stanu izolacji	258
11. Kontrola zasilania elektrycznego	259
12. Ochrona środowiska	259
13. Utylizacja	259



Przed montażem należy przeczytać niniejszy dokument. Montaż i eksploatacja muszą być zgodne z przepisami lokalnymi i przyjętymi zasadami dobrej praktyki.



Urządzenie może być obsługiwane przez dzieci od ósmego roku życia, osoby o obniżonej sprawności fizycznej, sensorycznej lub umysłowej oraz osoby nieposiadające odpowiedniego doświadczenia i wiedzy, o ile znajdują się pod nadzorem lub zostały przeszkolone w zakresie bezpiecznej obsługi urządzenia i rozumieją związane z tym zagrożenia.

Dzieciom nie wolno bawić się urządzeniem. Dzieci nie mogą bez nadzoru podejmować się czyszczenia i konserwacji urządzenia.

1. Symbole stosowane w tej instrukcji

NIEBEZPIECZEŃSTWO



Oznacza niebezpieczną sytuację, której nieuniknięcie spowoduje śmierć lub poważne obrażenia ciała.

OSTRZEŻENIE



Oznacza niebezpieczną sytuację, której nieuniknięcie może spowodować śmierć lub poważne obrażenia ciała.

UWAGA



Oznacza niebezpieczną sytuację, której nieuniknięcie może spowodować niewielkie lub umiarkowane obrażenia ciała.

Opis dotyczący symboli zagrożeń
NIEBEZPIECZEŃSTWO, OSTRZEŻENIE i UWAGA
ma następującą strukturę:

SŁOWO OSTRZEGAWCZE



Opis zagrożenia

Konsekwencje zignorowania ostrzeżenia.

- Działanie pozwalające uniknąć zagrożenia.



Niebieskie lub szare koło z białym symbolem graficznym wewnątrz oznacza, że należy wykonać działanie.



Czerwone lub szare koło z poziomym paskiem, a niekiedy z czarnym symbolem wewnątrz oznacza, że należy wykonać lub przerwać działanie.



Nieprzestrzeżenie tych zaleceń może być przyczyną wadliwego działania lub uszkodzenia urządzenia.



Wskazówki i porady ułatwiające pracę.

2. Dane ogólne

OSTRZEŻENIE



Porażenie prądem elektrycznym

- Śmierć lub poważne obrażenia ciała
- Pompa nie może być używana podczas przebywania ludzi w wodzie.

Na stronie 412 niniejszej instrukcji montażu i eksploatacji przedstawiono kopie tabliczek znamionowych pompy i silnika.

Przed wpuszczeniem pomp SQ/SQE do studni należy tę tabliczkę wypełnić aktualnymi danymi.

Niniejszą instrukcję montażu i eksploatacji należy przechowywać zabezpieczoną przed wilgocią w miejscu zainstalowania.

2.1 Przeznaczenie

Pompy **SQ** i **SQE** dostosowane są do tłoczenia czystych cieczy o niskiej lepkości, nieagresywnych, niewybuchowych i nie zawierających zanieczyszczeń stałych lub długowłóknistych.

Głównymi obszarami zastosowań są:

- zasilanie wodą ze studni głębinowych
 - budynków mieszkalnych,
 - małych zakładów wodociagowych,
 - instalacji nawadniania, np. w szklarniach.
- tłoczenie cieczy w instalacjach zbiornikowych.
- stacje podwyższania ciśnienia.

Pompy **SQE-NE** nadają się do tłoczenia czystych cieczy o niskiej lepkości, nieagresywnych, niewybuchowych i nie zawierających zanieczyszczeń stałych lub długowłóknistych.

Pompy te można ponadto stosować do tłoczenia zanieczyszczonej wody gruntowej lub wody gruntowej zawierającej wodorowęglany, np. z:

- wysypisk
- składowisk chemikaliów
- posesji przemysłowych
- stacji paliw
- w technice ochrony środowiska.

Poza tym pompy **SQE-NE** można stosować do pobierania próbek i monitorowania stanu wód gruntowych, a w przypadkach wyjątkowych także w instalacjach uzdatniania wody.

Dotyczy wszystkich typów pomp:

Maksymalna zawartość piasku w wodzie nie może przekraczać 50 mg/m³. Większa zawartość piasku skraca żywotność pompy i zwiększa ryzyko zablokowania pompy.

RADA Przy tłoczeniu cieczy o lepkości różnej od lepkości wody prosimy skonsultować się z firmą Grundfos.

Wartości pH

SQ i SQE: 5 do 9.

SQE-NE: Prosimy o konsultację z firmą Grundfos.

Temperatura czynnika:

Temperatura czynnika nie może przekraczać 35 °C.

3. Dane techniczne

Napięcie zasilania:

1 x 200-240 V - 10 %/+ 6 %, 50/60 Hz, PE.

Zasilanie z agregatu prądotwórczego: moc prądniczy musi odpowiadać conajmniej mocy silnika P_1 [kW] + 10 %.

Prąd rozruchu:

Prąd rozruchu silnika odpowiada największej wartości podanej na tabliczce znamionowej.

Współczynnik mocy:

PF = 1.

Ciecz wypełniająca silnik:

Typ SML 2.

Kabel silnika:

1,5 m, 3 x 1,5 mm², PE.

Temperatura czynnika:

Max. 35 °C.

Przyłącze rurowe:

SQ 1, SQ 2, SQ 3: Rp 1 1/4.

SQ 5, SQ 7: Rp 1 1/2.

Średnica pompy:

74 mm.

Średnica studni:

Min. 76 mm.

Głębokość zainstalowania:

Max. 150 m poniżej statycznego zwierciadła wody.

Patrz również rozdział [6.8.2 Głębokość zainstalowania](#).

Ciężar netto:

Max. 6,5 kg.

3.1 Składowanie

Temperatura składowania: -20 °C do +60 °C.

3.1.1 Zabezpieczenie przed mrozem

Jeśli pompa już użyta ma być składowana, to miejsce składowania musi być zabezpieczone przed mrozem, albo też zapewnić należy, by ciecz wypełniająca silnik była odporna na zamarzanie.

Silnika nie wolno przechowywać bez wypełnienia cieczą.

3.2 Poziom ciśnienia akustycznego

Poziom ciśnienia akustycznego wywoływanego przez pompę leży poniżej wartości granicznej określonej dyrektywą EG 2006/42/EG dla maszyn.

4. Przygotowanie do montażu

Silniki podwodne Grundfos MS 3 i MSE 3 posiadają łożyska ślizgowe smarowane wodą. Dodatkowe smarowanie jest zbędne.

Silniki podwodne napełnione są fabrycznie specjalną cieczą Grundfos typ SML 2. Ciecz ta nie zamarza do -20 °C i jest zakonserwowana dla uniemożliwienia rozwoju bakterii.

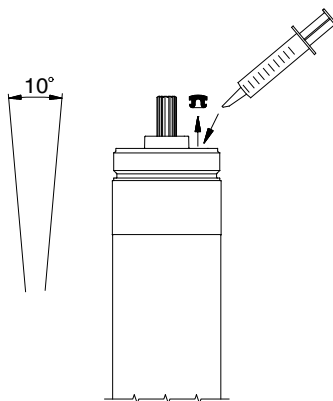
Stan wypełnienia cieczą jest decydujący dla żywotności łożysk i tym samym całego silnika.

4.1 Dopełnianie silnika cieczą

Silnik należy uzupełnić cieczą Grundfos SML 2, jeżeli stwierdzi się jej brak lub ubytek.

Dopełnianie przeprowadza się następująco:

1. Zdemontować szynę ochronną kabla i odłączyć silnik od pompy.



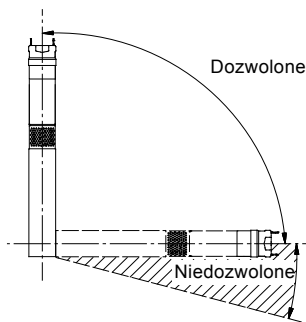
Rys. 1

2. Silnik postawić pionowo, z odchyleniem 10 °.
 3. Śrubokrętem lub podobnym narzędziem odkręcić korek wlewowy.
 4. Strzykawką dopełnić silnik cieczą.
 5. Poruszyć silnikiem tam i z powrotem, aby mogło ułotnić się ew. znajdujące się w nim powietrze.
 6. Ponownie wkręcić i dokręcić korek wlewowy.
 7. Połączyć silnik z pompą.
 8. Zamontować szynę ochronną kabla.
- Pompa jest teraz gotowa do zainstalowania.

TIM02 9606 3504

4.2 Warunki instalowania

Pompę można instalować w położeniu pionowym lub poziomym. Wał pompy **nie może** być jednak nachylony poniżej poziomu, patrz rys. 2.



Rys. 2

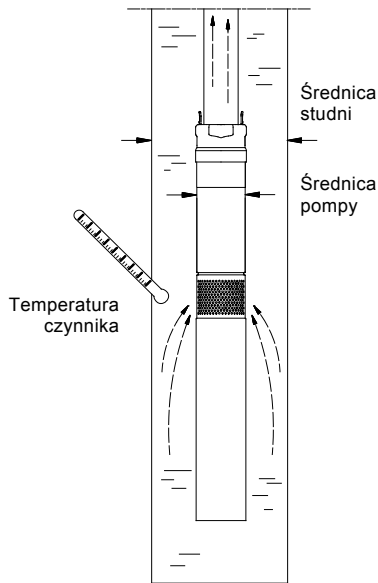
Jeśli pompa instalowana jest poziomo, np. w zbiorniku, i istnieje niebezpieczeństwo nagromadzenia się przy pompie mułu, to pompę należy zainstalować w płaszczu ssawnym. Odnosnie głębokości instalowania patrz rozdział 6.8.2 *Głębokość zainstalowania*.

4.3 Temperatura czynnika / chłodzenie silnika

Rys. 3 przedstawia pompę SQ/SQE zainstalowaną w studni głębinowej. Pompa pracuje.

Na rys. 3 oznaczono następujące wielkości:

- średnicę studni
- średnicę pompy
- temperaturę czynnika
- opływ wzdłuż silnika, do sita wlotowego.



Rys. 3

Przekroczenie maksymalnej temperatury cieczy 35 °C, może być przyczyną niedostatecznego chłodzenia silnika pompy.



Średnica studni musi wynosić co najmniej 76 mm (ok. 3").

Silnik winien być zainstalowany powyżej filtra studni. Przy stosowaniu płaszczu ssawnego pompę można instalować w studni swobodnie.



Pompa może pracować na zamkniętą zasuwę tłoczną najwyżej przez 5 minut. Przy zamkniętej zasuwie tłocznej brak jest bowiem przepływu zapewniającego chłodzenie i istnieje ryzyko przegrzania pompy i silnika.

Jeśli aktualna temperatura czynnika przekracza podaną wartość, lub też warunki robocze przekraczają parametry specyfikacji, to pompa może wyłączyć się. W takich przypadkach prosimy o konsultację z firmą Grundfos.

TM01 1375 4397

TM01 0518 1297

5. Przyłącze elektryczne

5.1 Informacje ogólne

Przyłącze elektryczne winien wykonać fachowiec-elektryk, zgodnie z normami elektrotechnicznymi i przepisami lokalnego zakładu energetycznego.

OSTRZEŻENIE

Porażenie prądem elektrycznym

Śmierć lub poważne obrażenia ciała

- Przed rozpoczęciem prac przy pompie należy bezwzględnie odłączyć napięcie zasilania. Należy zabezpieczyć się przed przypadkowym włączeniem napięcia.
- Pompa musi być uziemiona.
- Pompę należy podłączyć do wyłącznika głównego o szerokości rozwarcia styków 3 mm na wszystkich biegunach.
- Jeśli kabel silnika jest uszkodzony, jego wymianę należy zlecić firmie Grundfos, w autoryzowanym warsztacie serwisowym Grundfos lub innym wykwalifikowanemu specjalistom, aby nie dopuścić do wystąpienia zagrożeń.



Wartości napięcia zasilania, prądu maksymalnego i współczynnika mocy (PF) należy odczytać z tabliczki znamionowej silnika.

Wymagany zakres napięcia zasilania silników podwodnych Grundfos, mierzony na zaciskach silnika (łącznie z tolerancjami napięcia sieciowego i spadkami napięcia na kablach) odpowiada - 10 %/+ 6 % napięcia znamionowego przy pracy ciągłej.

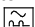
OSTRZEŻENIE

Porażenie prądem elektrycznym

Śmierć lub poważne obrażenia ciała

- Jeśli pompę przyłącza się do instalacji elektrycznej, w której jako dodatkową ochronę zastosowano różnicowe wyłączniki ochronne, to **należy** stosować takie wyłączniki, które zgodnie z DIN VDE 0664 wyzwalają zarówno przy prądzie usterkowym pulsującym jak i stałym.



Wyłączniki te **muszą** być oznaczone następującym symbolem: .

Napięcie zasilania:

1 x 200-240 V - 10 %/+ 6 %, 50/60 Hz, PE.

Pobór prądu można zmierzyć tylko miernikiem wartości skutecznej. Inne przyrządy pomiarowe wskazywać będą wartość odmienną od wartości rzeczywistej.

Prąd upływu dla pomp SQ/SQE można mierzyć w sposób standardowy i wynosi on 2,5 mA dla 230 V, 50 Hz. Prąd upływu jest proporcjonalny do napięcia zasilania.

Pompy SQE i SQE-NE można przyłączyć do automatu pełnej ochrony silnika typu CU 300 lub CU 301.

Nie wolno przyłączać żadnego kondensatora lub innego automatu zabezpieczającego niż CU 300 lub CU 301.

Pompy nie wolno przyłączać do zewnętrznej przetwornicy częstotliwości.



5.2 Zabezpieczenie silnika

Silnik posiada wbudowany wyłącznik termiczny i nie wymaga żadnej dalszej ochrony silnika.

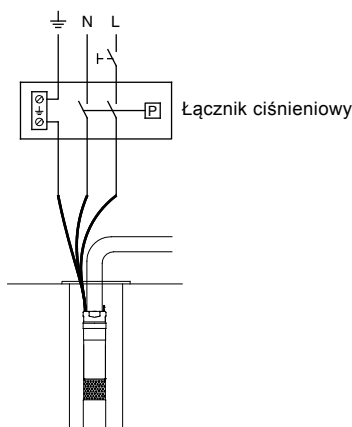
5.3 Przyłączenie silnika

Silnik posiada wbudowany układ rozruchowy i można go przyłączyć bezpośrednio do sieci.

Pompa jest wyłączana i włączana z reguły przez łącznik ciśnieniowy, patrz rys. 4.



Łącznik ciśnieniowy musi być dobrany odpowiednio do maksymalnego prądu danego typu pompy.



Rys. 4

6. Montaż

6.1 Informacje ogólne

OSTRZEŻENIE

Porażenie prądem elektrycznym

Śmierć lub poważne obrażenia ciała



- Przed rozpoczęciem prac przy pompie należy bezwzględnie odłączyć napięcie zasilania. Należy zabezpieczyć się przed przypadkowym włączeniem napięcia.



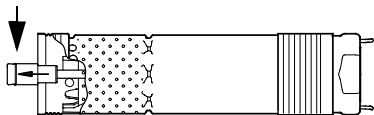
Pompy nie wolno wpuszczać ani wyciągać za kabel silnika.

Każda pompa dostarczana jest z dodatkową tabliczką znamionową, którą należy umieścić w miejscu zainstalowania.

6.2 Połączenie silnika z pompą

Połączyć silnik z pompą w następujący sposób:

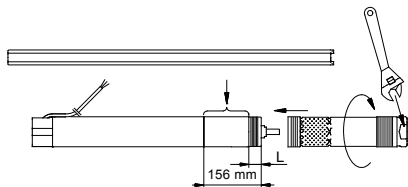
1. Zamocować silnik poziomo w imadle, patrz rys. 6.
2. Wyciągnąć wał pompy w pozycję pokazaną na rys. 5.



Rys. 5

3. Końcówkę wału silnika nasmarować dostarczonym z pompą smarem.
4. Na silnik nakręcić zespół pompy (55 Nm).
Uwaga: Wał pompy dopasować do wału silnika. Klucz można zakładać na spłaszczenia korpusu pompy, patrz rys. 6.

TM02 8425 5203



Rys. 6

TM01 2854 2299

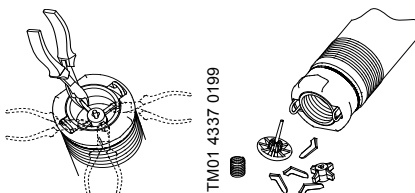
Silnik (P2) [kW]	L [mm]
0,70	120
1,15	102
1,68	66
1,85	66

Jeśli silnik został prawidłowo połączony z pompą, to pomiędzy nimi nie powinna pozostać żadna szczelina.

6.3 Demontaż zaworu zwrotnego

Jeżeli pompa ma być dostarczone bez zaworu zwrotnego, zawór można zdemontować w następujący sposób:

1. Przeciąć ramiona prowadnicy zaworu zwrotnego przy pomocy szczypec lub podobnego narzędzia, patrz rys. 7.
2. Obrócić pompę króćcem tłocznym w dół.
3. Sprawdzić czy żadna z części zaworu nie została w pompie.



Rys. 7

TM01 4337 0199

TM01 4338 0199



SQE-NE jest dostarczana bez zaworu zwrotnego.

Zawór może być zamontowany na warsztacie serwisowym firmy Grundfos.

6.4 Montaż wtyku kabla na silniku

OSTRZEŻENIE

Porażenie prądem elektrycznym

Śmierć lub poważne obrażenia ciała



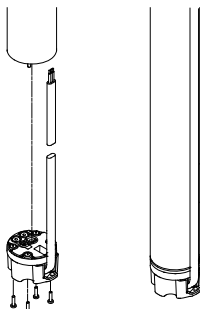
- W żadnym wypadku użytkownik nie powinien wyjmować wtyku kabla silnika samodzielnie.
- Montaż lub demontaż wtyku kabla na silniku może wykonać jedynie autoryzowany serwis firmy Grundfos.

Poniższy opis jest przeznaczony wyłącznie dla personelu serwisu. Jeśli konieczna jest wymiana kabla silnika, należy zapoznać się z rozdziałem [5.1 Informacje ogólne](#).

Dostarczony z pompą wtyk kabla jest nasmarowany fabrycznie. Sprawdzić, czy wtyk jest prawidłowo nasmarowany.

Wtyk kabla montuje się następująco:

1. Sprawdzić, czy typ, przekrój i długość kabla są właściwe.
2. Sprawdzić, czy istniejące napięcie sieciowe dysponuje prawidłowym uziemieniem.
3. Sprawdzić, czy gniazdo wtykowe silnika jest czyste i suche.
Upewnij się, że uszczelnienie zostało zamocowane
4. Wetknij wtyk kabla w gniazdo. Wetknięcie w niewłaściwym położeniu jest niemożliwe, patrz rys. [8](#).



Rys. 8

5. Zamocuj i dokręć cztery śruby (1 - 1,5 Nm), patrz rys. [8](#).

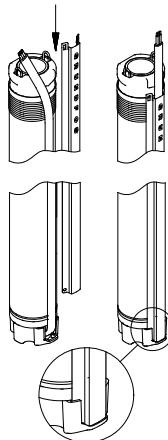
Jeśli wtyk został prawidłowo zamontowany, to pomiędzy nim a silnikiem nie powinna pozostać żadna szczelina.

TM02 9605 3504

6.5 Montaż szyny ochronnej kabla

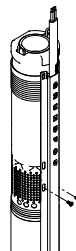
Szynę ochronną kabla montuje się następująco:

1. Kabel silnika ułożyć płasko w szynie ochronnej kabla.
2. Umieścić szynę ochronną kabla w wycięciu wtyku kabla. Oba górne otwory boczne szyny ochronnej kabla muszą zatrzasknąć się w górnym obrzeżu płaszczka pompy, patrz rys. [9](#).



Rys. 9

3. Dokręć szynę ochronną kabla do kosza wlotowego pompy przy pomocy dwóch wkrętów, patrz rys. [10](#).



Rys. 10

TM02 9613 3504

TM01 4427 0299

6.6 Dobór kabla

Kable podwodne Grundfos mogą być stosowane do wielu instalacji.



Kabel podwodny musi mieć wystarczający przekrój, aby spełnić wymagania odnośnie wartości napięcia, podane w rozdziale [5.1 Informacje ogólne](#).

Wartości podane w poniższej tabeli obliczone zostały wg następującego wzoru

$$q = \frac{I \times 2 \times 100 \times PF \times L \times \rho}{U \times \Delta U}$$

q = przekrój kabla [mm^2].

I = wybitny max. prąd silnika [A].

PF = 1,0.

L = długość kabla podwodnego [m].

ρ = rezystancja właściwa: 0,02 [$\Omega\text{mm}^2/\text{m}$].

U = napięcie znamionowe [V].

ΔU = spadek napięcia [%] = 4 %.

Wartość spadku napięcia 4 % zgodna jest z normą IEC 3-64, seria HD-384.

W wyniku obliczeń uzyskuje się następujące maksymalne długości kabli przy napięciu zasilania 240 V:

		Max. długość kabla [m]					
Silnik (P2)	I_N [A]	Wymiary					
		1,5 mm ²	2,1 mm ² / 14 AWG	2,5 mm ²	3,3 mm ² / 12 AWG	4 mm ²	6 mm ²
[kW]							
0,7	5,2	80	112	133	176	213	320
1,15	8,4	50	69	83	109	132	198
1,68	11,2	37	52	62	82	99	149
1,85	12	35	49	58	76	92	139

6.7 Łączenie kabli

Zaleca się łączenie kabla podwodnego z kablem silnika przy użyciu złącza kablowego Grundfos, typu KM.

Złącze kablowe typu KM	
Przekrój przewodów	Numer wyrobu
1,5 do 6,0 mm ²	96021473

Odnosnie większych przekrojów przewodów prosimy o konsultację z firmą Grundfos.

6.8 Przyłączenie rurociągu

Jeśli do zamontowania pionu tłocznego korzysta się z narzędzi, np. klucza łańcuchowego do rur, to pompę przytrzymywać wolno tylko za spłaszczenia na głowicy.

Jeśli pompę łączy się z rurami z tworzyw sztucznych, to należy zastosować złączkę zaciskową.

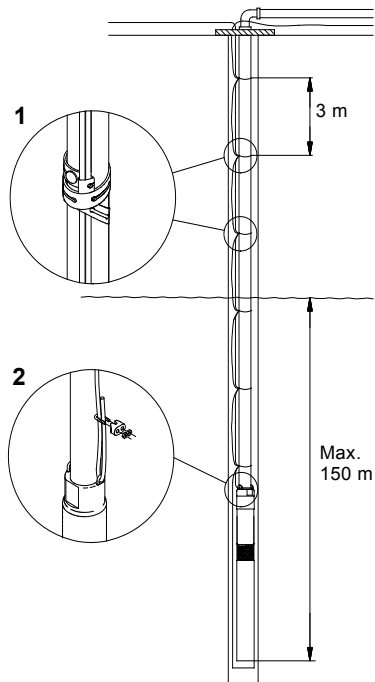


Przy stosowaniu pionu tłocznego z rur z tworzywa sztucznego należy przy ustalaniu głębokości zainstalowania uwzględnić wydłużalność tych rur.

Przy stosowaniu rur z kołnierzami należy w kołnierzach przewidzieć wycięcia dla przeprowadzenia kabla podwodnego i węża wskaźnika poziomu wody (jeśli jest stosowany).

Rys. 11 przedstawia instalację pompową na której oznaczono:

- usytuowanie opasek kablowych, poz. 1, oraz odstęp pomiędzy opaskami kablowymi.
- zamontowanie linki stalowej, poz. 2.
- maksymalną głębokość zainstalowania poniżej statycznego zwierciadła wody.



Rys. 11

6.8.1 Zamocowanie kabla

Opaski kablowe umieścić co 3 m, patrz rys. 11.

Przy stosowaniu rur z tworzywa sztucznego należy przewidzieć pewien zapas długości kabla z uwagi na wydłużenia pionu zależne od obciążenia.

Przy stosowaniu rur z kołnierzami należy opaskę kablową umieścić przed i za każdym złączem kołnierzowym.

TM01 0480 4397

6.8.2 Głębokość zainstalowania

Maksymalna głębokość zainstalowania poniżej statycznego zwierciadła wody: 150 m, patrz rys. 11.

Minimalna głębokość zainstalowania poniżej dynamicznego zwierciadła wody:

- **instalowanie pionowe:** podczas uruchamiania i eksploatacji pompa musi być zawsze całkowicie zanurzona w wodzie.
- **instalowanie poziome:** pompa musi zostać zainstalowana i pracować 0,5 m poniżej dynamicznego zwierciadła wody. Jeśli istnieje ryzyko osadzenia się mułu, to pompę należy bezwzględnie zaopatrzyć w płaszcz ssawny.

6.8.3 Wpuszczanie pompy do studni

Zaleca się zabezpieczenie pompy linką stalową, patrz rys. 11, poz. 2.

Linkę zabezpieczającą zluźnować tak, aby została odciążona i następnie zamocować zaciskami linowymi do głowicy studni.



Pompy z instalacją rurową nie wolno wyciągać za pomocą linki zabezpieczającej.



Pompy nie wolno wpuszczać ani wyciągać za kabel silnika.

7. Uruchomienie

Należy zapewnić, by dopływ wody do studni odpowiadał co najmniej wydajności pompy.

Pompę wolno włączyć dopiero po całkowitym zanurzeniu jej w czynniku tłoczonym.

Po włączeniu pompy należy ją wyłączyć dopiero wtedy, gdy tłoczona woda będzie już całkowicie czysta. Zbyt wczesne wyłączenie pompy zwiększa ryzyko zatkania części pompy lub zaworu zwrotnego.

8. Eksploatacja

8.1 Przepływ minimalny

Dla zapewnienia wystarczającego chłodzenia silnika natężenie przepływu nie może spadać poniżej 50 l/s.

Natężenie przepływu może w pewnych warunkach ulec nagłemu spadkowi. Powodem tego może być wydajność pompy przekraczająca dopływ wody do studni. Pompę należy wyłączyć i usunąć zakłócenie.



Zabezpieczenie przed suchobiegiem działa tylko w zalecanym zakresie roboczym pompy.

8.2 Dobór membranowego zbiornika ciśnieniowego oraz nastawienie ciśnienia wstępnego i łącznika ciśnieniowego

OSTRZEŻENIE



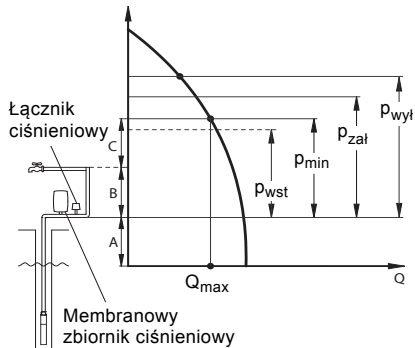
System ciśnieniowy

Śmierć lub poważne obrażenia ciała

- Instalację należy zaprojektować na maksymalne ciśnienie tłoczenia pompy.

Ponieważ układ łagodnego rozruchu powoduje rozruch pompy trwający 2 s, to ciśnienie na łączniku ciśnieniowym i w zbiorniku membranowym po włączeniu pompy będzie niższe od ciśnienia załączania (p_{zai}) nastawionego na łączniku ciśnieniowym. To niższe ciśnienie nazywamy ciśnieniem minimalnym (p_{min}).

p_{min} odpowiada wymaganemu ciśnieniu minimalnemu na najwyższym położonym odbiorniku + wysokość podnoszenia i straty tarcia na odcinku pomiędzy łącznikiem ciśnieniowym lub zbiornikiem membranowym a najwyższym położonym odbiornikiem ($p_{min} = B + C$), patrz rys. 12.



Rys. 12

- A: Wysokość podnoszenia + straty tarcia w rurociągu na odcinku pomiędzy obniżonym zwierciadłem wody a membranowym zbiornikiem ciśnieniowym.
- B: Wysokość podnoszenia + straty tarcia w rurociągu na odcinku pomiędzy membranowym zbiornikiem ciśnieniowym a najwyższym położonym odbiornikiem.
- C: Ciśnienie minimalne na najwyższym położonym odbiorniku.



Należy zapewnić, by ciśnienie tłoczenia wybranej pompy przekraczało wartość $p_{wyi} + A$.

p_{wst} : Ciśnienie wstępne.

p_{min} : Wymagane ciśnienie minimalne.

p_{zai} : Ciśnienie załączania nastawione na łączniku ciśnieniowym.

p_{wyi} : Ciśnienie wyłączania nastawione na łączniku ciśnieniowym.

Q_{max} : Wydajność maksymalna przy p_{min} .

8.3 Przeciężenie ciśnieniowe systemu studziennego

W celu zapewnienia ochrony przed nadciężnieniem należy zainstalować nadmiarowy zawór ciśnieniowy poniżej głowicy studni. Nastawa zaworu ciśnieniowego powinna wynosić co najmniej 30 psi więcej niż ustawienie ciśnienia.

W przypadku zainstalowania zaworu zalecane jest przyłączenie go do odpowiedniego punktu drenażowego.

Minimalną wielkość membranowego zbiornika ciśnieniowego, ciśnienie wstępne i nastawy łącznika ciśnieniowego w zależności od p_{\min} i Q_{\max} należy odczytać z poniższej tabeli:

Przykład:

$$p_{\min} = 35 \text{ mH}_2\text{O}, Q_{\max} = 2,5 \text{ m}^3/\text{h}.$$

Dla tych danych wyjściowych można z tabeli odczytać następujące wartości: 33 mH₂O.

$$p_{\text{wst}} = 31,5 \text{ mH}_2\text{O}.$$

$$p_{\text{zał}} = 36 \text{ mH}_2\text{O}.$$

$$p_{\text{wył}} = 50 \text{ mH}_2\text{O}.$$

p_{\min} [m]	Q_{\max} [m ³ /h]																p_{wst} [m]	$p_{\text{zał}}$ [m]	$p_{\text{wył}}$ [m]		
	0,6	0,8	1	1,2	1,5	2	2,5	3	3,5	4	4,5	5	5,5	6	6,5	7				7,5	8
Wielkość membranowego zbiornika ciśnieniowego [litrów]																					
25	8	8	18	18	18	18	24	33	33	50	50	50	50	80	80	80	80	80	22,5	26	40
30	8	8	18	18	18	24	33	33	50	50	50	50	80	80	80	80	80		27	31	45
35	8	18	18	18	18	24	33	33	50	50	50	80	80	80	80	80			31,5	36	50
40	8	18	18	18	18	24	33	33	50	50	50	80	80	80	80	80			36	41	55
45	8	18	18	18	24	33	33	50	50	50	80	80	80	80					40,5	46	60
50	8	18	18	18	24	33	50	50	50	80	80	80	80						45	51	65
55	18	18	18	18	24	33	50	50	50	80	80	80							49,5	56	70
60	18	18	18	18	24	33	50	50	80	80	80	80							54	61	75
65	18	18	18	24	24	33	50	50	80	80	80	80							58,5	66	80

1 mH₂O = 0,098 bar.

8.4 Wbudowane zabezpieczenia

Silnik posiada wbudowaną jednostkę elektroniczną, chroniącą silnik w różnych sytuacjach eksploatacyjnych.

Przy przeciążeniu wbudowany układ ochrony przed przeciążeniem wyłącza pompę na 5 minut. Po tym czasie pompa próbuje wystartować ponownie.

Po wyłączeniu z powodu suchobiegu pompa włącza się automatycznie ponownie po 5 minutach.

Jeżeli pompa uruchomi się, a w studni nie będzie wody to pompa wyłączy się po 30 sekundach.

Kasowanie zakłóceń pompy: przez wyłączenie napięcia zasilania na 1 minutę.

Silnik chroniony jest przed:

- suchobiegim,
- przepięciami impulsowymi (6000 V),
Na obszarach charakteryzujących się dużą ilością wyładowań atmosferycznych wymagane jest dodatkowe zabezpieczenie odgromowe.
- nadmiernym napięciem,
- spadkiem napięcia,
- przeciążeniem,
- przegrzaniem.

SQE pompy/ MSE 3 silniki:



Sterowniki CU 300, CU 301 pozwalają na ustawienie granicznej wartości wyłączania przy suchobiegu dla silnika MSE 3 i może być dostosowana do aktualnego zapotrzebowania.

9. Konserwacja i serwis

Pompy są normalnie bezobsługowe. W pompie mogą jednak nagromadzić się osady lub może wystąpić zużycie części.

Grundfos dostarcza zestawy naprawcze i narzędzia serwisowe. Na życzenie możemy dostarczyć podręcznik serwisowy Grundfos.

Pompy można poddać sprawdzeniu w warsztacie serwisowym firmy Grundfos.

9.1 Pompy skażone



Jeśli pompa była stosowana do tłoczenia cieczy szkodliwej dla zdrowia lub toksycznej, to pompę taką klasyfikuje się jako skażoną.

W takim przypadku przy każdym korzystaniu z serwisu należy przedłożyć szczegółowe informacje o czynniku tłoczonym.

Przy ewentualnym zleceniu prac serwisowych należy nawiązać kontakt z firmą Grundfos jeszcze przed wysłaniem pompy, przedkładając informacje o czynniku tłoczonym, gdyż inaczej Grundfos może odmówić przyjęcia pompy.

SQE-NE: pompy stosowane do tłoczenia cieczy nieskażonych można przesać do przeglądu lub naprawy w warsztacie Grundfos pod warunkiem zaopatrzenia ich w poświadczenie nieszkodliwości.

Formalno-prawnie podpisane poświadczenie nieszkodliwości należy dostarczyć do działu serwisowego Grundfos jeszcze przed wysłaniem pompy. Bez takiego poświadczenia odmówimy przyjęcia pompy.

Ewentualne koszty wysyłki obciążają nadawcę.

9.2 Części zamienne / osprzęt

Zwracamy wyraźnie uwagę, że osprzęt i części zamienne nie dostarczane przez nas, nie są też przez nas sprawdzone i dopuszczone.

Wbudowanie i/lub użytkowanie takich wyrobów może więc niekiedy wpływać negatywnie na zapewnione konstrukcyjnie właściwości pompy, pogarszając jej działanie.

Wszelka odpowiedzialność firmy Grundfos za szkody spowodowane stosowaniem nie oryginalnych części zamiennych i osprzętu jest wykluczona.

Zakłócenia, jakich użytkownik nie jest w stanie wyeliminować samodzielnie, winny być usuwane tylko przez autoryzowane warsztaty.

W wypadku takiego typu zakłócenia należy zawsze podać dokładny opis objawów, aby technik serwisu mógł się odpowiednio przygotować i zaopatrzyć w potrzebne części zamienne.

Dane techniczne urządzeń prosimy odczytywać z tabliczek znamionowych.

10. Przegląd zakłóceń

UWAGA

Porażenie prądem elektrycznym

Niewielkie lub umiarkowane obrażenia ciała



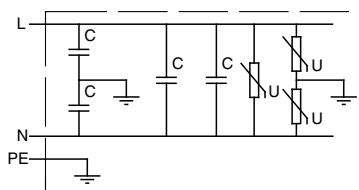
- Przed rozpoczęciem prac przy pompie należy bezwzględnie odłączyć napięcie zasilania. Należy zabezpieczyć się przed przypadkowym włączeniem napięcia.

Zakłócenie	Przyczyna	Sposób usuwania
1. Pompa nie pracuje.	a) Bezpieczniki w instalacji elektrycznej są przepalone.	Wymienić przepalone bezpieczniki. Jeśli przepalał się ponownie, to należy sprawdzić instalację elektryczną i kabel.
	b) Zareagował różnicowy wyłącznik ochronny prądu usterkowego lub napięcia usterkowego.	Ponownie włączyć różnicowy wyłącznik ochronny.
	c) Brak dopływu prądu.	Skontaktować się z zakładem energetycznym.
	d) Zareagował wyzwalacz nadmiarowo-prądowy wyłącznika ochronnego silnika.	Sprawdzić czy silnik wzgl. pompa nie są zablokowane.
	e) Uszkodzona pompa lub kabel podwodny.	Naprawić/wymienić pompę wzgl. kabel podwodny.
	f) Za wysokie lub za niskie napięcie.	Sprawdzić napięcie zasilania.
2. Pompa pracuje, ale nie tłoczy wody.	a) Zamknięty zawór odcinający.	Otworzyć zawór.
	b) Brak wody lub zbyt niski poziom wody w studni.	Patrz 3 a).
	c) Zawór zwrotny zablokowany w położeniu zamkniętym.	Wyciągnąć pompę i oczyścić lub wymienić zawór.
	d) Zatkane sito wlotowe.	Wyciągnąć pompę i oczyścić sito wlotowe.
	e) Pompa uszkodzona.	Oczyścić/wymienić pompę.
3. Pompa pracuje ze zmniejszoną wydajnością.	a) Dynamiczne obniżenie zwierciadła wody jest większe od przewidywanego.	Zwiększyć głębokość zainstalowania, zdławić pompę lub wymienić na mniejszy model o niższej wydajności.
	b) Zawory w przewodzie tłocznym częściowo przymknięte wzgl. zablokowane.	Usprawnić zawory, ew. oczyścić lub wymienić.
	c) Przewód tłoczny częściowo zatkany zanieczyszczeniami (zarośnięty).	Oczyścić lub wymienić pion tłoczny.
	d) Zawór zwrotny pompy częściowo zablokowany.	Wyciągnąć pompę i oczyścić lub wymienić zawór.
	e) Pompa i pion tłoczny częściowo zatkane zanieczyszczeniami (zarośnięte).	Wyciągnąć pompę, rozmontować, oczyścić ew. wymienić. Oczyścić rurociąg.
	f) Pompa uszkodzona.	Naprawić/wymienić pompę.
	g) Rurociąg nieszczelny.	Sprawdzić i naprawić rurociąg.
	h) Pion tłoczny uszkodzony.	Wymienić pion tłoczny.
	i) Spadek napięcia.	Sprawdzić napięcie zasilania.

Zakłócenie	Przyczyna	Sposób usuwania
4. Częste włączanie i wyłączanie.	a) Zbyt mała nastawa różnicy ciśnień załączania i wyłączania na łączniku ciśnieniowym.	Zwiększyć różnicę łączenia. Ciśnienie wyłączenia nie może jednak przekroczyć wartości ciśnienia roboczego zbiornika ciśnieniowego, a ciśnienie załączania musi być dostatecznie wysokie, by zapewnić wystarczające zaopatrzenie w wodę.
	b) Elektrody sterowania poziomem wody lub łączniki czujnika poziomu wody w zbiorniku zamontowane nieprawidłowo.	Odstępy elektrod wzgl. czujników poziomu wody nastawić tak, aby między załączeniem a wyłączeniem pompy upływał stosowny czas. Uwzględnić instrukcje montażu i eksploatacji zastosowanych urządzeń automatyki. Jeśli nie można odpowiednio ustawić częstości łączeń przy pomocy urządzeń automatyki, to zredukować wydajność pompy przez zdławienie zaworu tłoczego.
	c) Zawór zwrotny nieszczelny lub częściowo zablokowany w położeniu otwartym.	Wyciągnąć pompę i oczyścić lub wymienić zawór zwrotny.
	d) Niestabilne napięcie zasilania.	Sprawdzić napięcie zasilania.
	e) Zbyt wysoka temperatura silnika.	Sprawdzić temperaturę wody.

10.1 Kontrola stanu izolacji

W instalacji z pompami SQ/SQE nie wolno przeprowadzać kontroli stanu izolacji, gdyż może to spowodować uszkodzenie wbudowanej elektroniki, patrz rys. 13.



TM02 0689 5000

Rys. 13

11. Kontrola zasilania elektrycznego

OSTRZEŻENIE

Porażenie prądem elektrycznym

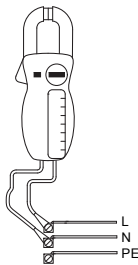
Śmierć lub poważne obrażenia ciała



Przed rozpoczęciem prac przy pompie należy bezwzględnie odłączyć napięcie zasilania.

Należy zabezpieczyć się przed przypadkowym włączeniem napięcia.

1. Napięcie sieci



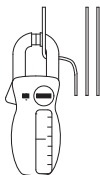
TM00 1371 4904

Zmierzyć napięcie pomiędzy fazą a przewodem zerowym (miernikiem wartości skutecznej).
Woltomierz przyłączać do zacisków przyłączeniowych.

Napięcie istniejące podczas pracy nie może odbiegać od wartości podanej w rozdziale **5. Przyłącze elektryczne**.

Duże wahania napięcia wskazują na złą jakość sieci zasilającej. Pompę należy wyłączyć do czasu usunięcia zakłóceń.

2. Pobór prądu



TM00 1372 5082

Zmierzyć natężenie prądu w każdej fazie (miernikiem wartości skutecznej) przy pracy pompy ze stałą wydajnością (możliwie z wydajnością, przy której silnik jest najbardziej obciążony).

Maksymalnie dopuszczalna wartość prądu, patrz tabliczka znamionowa.

Przekroczenia maksymalnego prądu roboczego może być spowodowane następującymi usterkami:

- Zły styk przewodów, najprawdopodobniej w złączu kablowym.
- Napięcie sieciowe zbyt niskie. Patrz punkt 1.

12. Ochrona środowiska

Podczas instalowania, eksploatacji, składowania i transportu należy przestrzegać odnośnych przepisów ochrony środowiska i lokalnych przepisów o postępowaniu z substancjami niebezpiecznymi.

OSTRZEŻENIE

Substancja żrąca

Śmierć lub poważne obrażenia ciała



Przy wyłączeniu pompy z eksploatacji zadbać należy, aby w pompie nie pozostały żadne resztki substancji niebezpiecznych, mogących spowodować zagrożenia dla zdrowia ludzi i środowiska naturalnego.

W przypadkach wątpliwych prosimy o konsultację z firmą Grundfos lub władzami lokalnymi.

13. Utylizacja

Niniejszy wyrób i jego części należy zutylizować zgodnie z zasadami ochrony środowiska:

1. W tym celu należy skorzystać z usług przedsiębiorstw lokalnych, publicznych lub prywatnych, zajmujących się utylizacją odpadów i surowców wtórnych.
2. W przypadku jeżeli nie jest to możliwe, należy skontaktować się z najbliższą siedzibą lub warsztatem serwisowym firmy Grundfos.

Zmiany techniczne zastrzeżone.

Português (PT) Instruções de instalação e funcionamento

Tradução da versão inglesa original

ÍNDICE

	Página
1. Símbolos utilizados neste documento	260
2. Generalidades	261
2.1 Aplicações	261
3. Informações técnicas	262
3.1 Armazenamento	262
3.2 Nível de pressão sonora	262
4. Preparação	262
4.1 Reenchimento com líquido motor	262
4.2 Tipos de instalação	263
4.3 Temperaturas dos líquidos/refrigeração	263
5. Ligação eléctrica	264
5.1 Generalidades	264
5.2 Protecção do motor	264
5.3 Ligações do motor	264
6. Instalação	265
6.1 Generalidades	265
6.2 Montagem do conjunto da bomba ao conjunto do motor	265
6.3 Remoção da válvula de retenção	265
6.4 Ligação da ficha terminal do cabo ao motor	266
6.5 Instalar o guarda cabo	266
6.6 Dimensionamento do cabo	267
6.7 Instalação do cabo de alimentação	268
6.8 Ligações dos tubos	268
7. Arranque	269
8. Funcionamento	269
8.1 Caudal mínimo	269
8.2 Selecção do reservatório de diafragma, ajuste da pressão de ar do reservatório e do pressostato	269
8.4 Protecção integrada	271
9. Manutenção e assistência	271
9.1 Bombas contaminadas	271
10. Tabela de detecção de avarias	272
10.1 Verificação do isolamento	273
11. Verificação da alimentação eléctrica	274
12. Meio ambiente	274
13. Eliminação	274



Antes da instalação, leia este documento. A instalação e o funcionamento devem cumprir as regulamentações locais e os códigos de boa prática geralmente aceites.

Este equipamento pode ser utilizado por crianças a partir dos 8 anos de idade e por pessoas com capacidades físicas, sensoriais ou mentais reduzidas ou com falta de experiência e conhecimentos, caso tenham sido supervisionadas ou se tiverem recebido instruções sobre a utilização segura do equipamento e compreendam os riscos envolvidos.

As crianças não devem brincar com este equipamento. A limpeza e manutenção não deverão ser realizadas por crianças sem supervisão.



1. Símbolos utilizados neste documento

PERIGO



Indica uma situação perigosa que resultará em morte ou em lesões pessoais graves, caso não seja evitada.

AVISO



Indica uma situação perigosa que poderá resultar em morte ou em lesões pessoais graves, caso não seja evitada.

ATENÇÃO



Indica uma situação perigosa que poderá resultar em lesões pessoais de baixa ou média gravidade, caso não seja evitada.

O texto que acompanha os três símbolos de perigo PERIGO, AVISO e ATENÇÃO será estruturado da seguinte forma:

PALAVRA DE SINALIZAÇÃO



Descrição do perigo

Consequência caso o aviso seja ignorado.
- Acção para evitar o perigo.



Um círculo azul ou cinzento com um símbolo gráfico branco indica que é necessário realizar uma acção para evitar um perigo.



Um círculo vermelho ou cinzento com uma barra na diagonal, possivelmente com um símbolo gráfico preto, indica que não se deverá realizar uma determinada acção ou que a mesma deverá ser parada.



O não cumprimento destas instruções poderá resultar em mau funcionamento ou danos no equipamento.



Dicas e conselhos para simplificar o trabalho.

2. Generalidades

AVISO



Choque eléctrico

Morte ou lesões pessoais graves
- A bomba não deverá ser usada enquanto estiverem pessoas dentro de água.

Na página 412 destas instruções de instalação e funcionamento poderá encontrar cópias das placas identificativas da bomba e do motor.

Antes de a bomba SQ/SQE ser introduzida e baixada no seu furo, esta página deve ser preenchida com os dados relevantes lidos nas placas identificativas.

Estas instruções de instalação e funcionamento devem ser mantidas em local seco e limpo na vizinhança do local onde se encontra a bomba para poderem ser consultadas a qualquer momento.

2.1 Aplicações

As bombas **SQ** e **SQE** destinam-se ao bombeamento de líquidos de baixa viscosidade, limpos, não agressivos, não explosivos e que não contenham partículas sólidas ou fibras.

Aplicações típicas:

- Bombeamento de água de poços para:
 - abastecimento doméstico
 - pequenos sistemas de distribuição ou fontes
 - ormentais
 - sistemas de irrigação, por exemplo, em estufas.
- Trásfega de líquidos em tanques e depósitos.
- Sistemas de pressurização.

As bombas **SQE-NE** destinam-se ao bombeamento de líquidos de baixa viscosidade, limpos, não explosivos e que não contenham partículas sólidas ou fibras.

Estas bombas são adequadas ao bombeamento de águas subterrâneas contaminadas ou contendo hidrocarbonetos de, por exemplo:

- fossas colectoras
- depósitos de químicos
- áreas industriais
- estações gasoleneiras
- aplicações ambientais.

As bombas **SQE-NE** também podem ser usadas para amostragem e monitorização e, até certo ponto, para incorporação em sistemas de tratamento de água.

Informação importante para todos os modelos SQ/SQE:

O conteúdo máximo de areia na água não deve exceder 50 g/m³. Um conteúdo de areia superior irá reduzir a vida útil da bomba e aumentar o risco de bloqueio.

Nota

Se for necessário proceder ao bombeamento de líquidos com uma viscosidade superior à da água, favor contactar a Grundfos.

Valores de pH

SQ e SQE: 5 a 9.

SQE-NE: Favor contactar a Grundfos.

Temperatura do líquido:

A temperatura do líquido a bombear não deve exceder os 35 °C.

3. Informações técnicas

Tensão de alimentação:

1 x 200-240 V - 10 %/+ 6 %, 50/60 Hz, PE.
Operação com gerador: A potência mínima do gerador deve ser igual à potência P_1 do motor (kW) + 10 %.

Corrente de arranque:

A corrente de arranque é o valor mais alto descrito na chapa de identificação da bomba.

Factor de potência:

PF = 1.

Líquido motor:

Tipo SML 2.

Cabo do motor:

1,5 m, 3 x 1,5 mm², PE.

Temperatura do líquido:

Máximo 35 °C.

Ligação da tubagem:

SQ 1, SQ 2, SQ 3: Rp 1 1/4.

SQ 5, SQ 7: Rp 1 1/2.

Diâmetro da bomba:

74 mm.

Diâmetro do furo:

Mínimo 76 mm.

Profundidade da instalação:

Máximo 150 metros abaixo do nível estático da água.
Ver também secção [6.8.2 Profundidade da instalação](#).

Peso líquido:

Máximo 6,5 kg.

3.1 Armazenamento

Temperatura de armazenamento: -20 a +60 °C.

3.1.1 Protecção contra o congelamento

Se a bomba tiver de ser armazenada após a sua utilização, deve ser colocada em local onde a temperatura não baixe do ponto de congelação do líquido motor ou deve ser assegurado que o líquido motor é à prova de congelação.

O motor não deve ser armazenado sem estar cheio com líquido motor.

3.2 Nível de pressão sonora

O nível de pressão sonora da bomba é inferior aos valores máximos definidos na Directiva do Conselho da UE 2006/42/CE relativamente a maquinaria.

4. Preparação

Os motores submersíveis Grundfos MS 3 e MSE 3 estão equipados com chumaceiras de escorregamento lubrificadas a água. Não é requerida lubrificação adicional.

Os motores submersíveis são cheios de fábrica com um líquido motor especial Grundfos (tipo SML 2) que é à prova de congelamento até a -20 °C e que é tratado para evitar o desenvolvimento de bactérias. O nível do líquido motor é decisivo para a vida operacional das chumaceiras e, conseqüentemente, para a vida do motor.

4.1 Reenchimento com líquido motor

Se por algum motivo o líquido do motor foi drenado ou perdido, o motor deve ser novamente cheio com o líquido para motores Grundfos SML 2.

Para fazer o reenchimento do motor proceder da seguinte forma:

1. Remover a guarda do cabo e separar o conjunto da bomba do conjunto do motor.

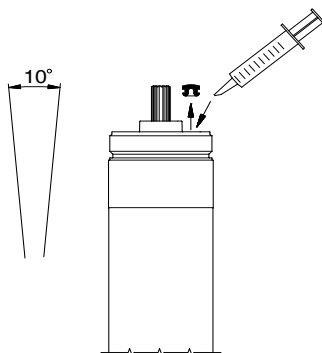


Fig. 1

2. Colocar o motor na posição vertical com uma inclinação de cerca de 10 °.
 3. Remover o bujão de enchimento usando uma chave de parafusos ou ferramenta semelhante.
 4. Injectar líquido motor no motor com uma seringa de enchimento.
 5. Para permitir a evacuação do ar, agitar o motor de um lado para o outro.
 6. Voltar a colocar o bujão de enchimento e assegurar-se de que está bem apertado e bem vedado.
 7. Voltar a montar o motor na bomba.
 8. Voltar a montar a guarda do cabo.
- A bomba está agora pronta para ser instalada.

TM02 9606 3504

4.2 Tipos de instalação

A bomba pode ser instalada tanto na posição vertical como na horizontal. Contudo o veio da bomba **nunca** pode ficar a fazer um ângulo com a horizontal de tal forma que o lado do filtro de aspiração da bomba fique mais alto que a outra extremidade da bomba, ver fig. 2.

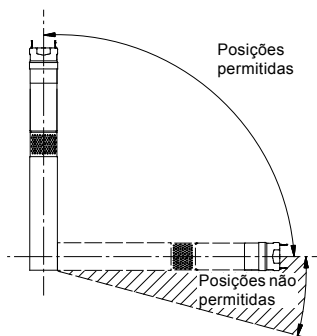


Fig. 2

Se a bomba é para ser instalada na horizontal, por exemplo, no fundo de um tanque, e, caso exista o risco desta ficar soterrada nos sedimentos, então, deverá ser instalada numa camisa de refrigeração. Ver secção 6.8.2 *Profundidade da instalação*.

4.3 Temperaturas dos líquidos/refrigeração

A figura 3 mostra uma bomba SQ/SQE instalada num furo. A bomba está em funcionamento.

A figura 3 ilustra o seguinte:

- diâmetro do furo
- diâmetro da bomba
- temperatura do líquido bombeado
- fluxo do líquido ao longo do lado exterior do motor entrando no filtro de aspiração da bomba.

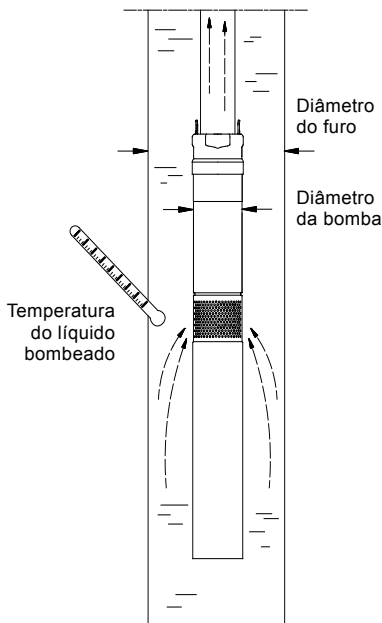


Fig. 3

Para assegurar a refrigeração suficiente do motor, é importante que observe a temperatura máxima do líquido de 35 °C sob todas as condições.



O diâmetro do furo deve ser de pelo menos 76 mm.

O motor deve sempre ser instalado acima da malha de filtro do poço. Se for usada uma manga para orientação do fluxo em torno do motor, a bomba pode ser instalada livremente no poço.



Não deixar a bomba trabalhar contra válvula fechada mais do que 5 minutos, pois a válvula ao estar fechada não permite a circulação de água, logo não há refrigeração do motor, havendo o risco de sobreaquecimento deste.

Se a temperatura do líquido bombeado exceder o valor especificado ou se de qualquer forma as condições de funcionamento se começarem a processar fora dos limites especificados, a bomba pode parar. Favor contactar a Grundfos.

TM01 1375 4397

TM01 0518 1297

5. Ligação eléctrica

5.1 Generalidades

As ligações eléctricas devem ser efectuadas por um electricista profissional de acordo com os regulamentos locais.

AVISO

Choque eléctrico

Morte ou lesões pessoais graves

- Antes de iniciar o trabalho na bomba, certifique-se de que a alimentação eléctrica à mesma está desligada e que não pode ser ligada acidental ou inadvertidamente.
- A bomba deve estar ligada à terra.
- A bomba deve ser ligada a um contactor externo cujos contactos, quando abertos, devem apresentar uma distância entre si nunca inferior a 3 mm.
- Se o cabo do motor estiver danificado deve ser substituído pela Grundfos, uma oficina autorizada Grundfos ou pessoas semelhantemente qualificadas de forma a evitar acidentes.



A tensão de alimentação, a corrente nominal máxima e o factor de potência (FP) estão indicados na placa sinalética da bomba.

A tensão requerida para os motores submersíveis Grundfos medida nos terminais do motor é de - 10 %/+ 6 % da tensão nominal medida durante o funcionamento contínuo (incluindo variações na tensão de alimentação e perdas nos cabos).

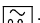
AVISO

Choque eléctrico

Morte ou lesões pessoais graves

- Se a bomba estiver ligada a uma instalação eléctrica em que um disjuntor de terra (ELCB) for usado como protecção adicional, esse disjuntor **deve** disparar quando ocorrerem passagens para a terra de correntes contínuas (CC pulsante).



O disjuntor da corrente de terra **deve** ser identificado com o símbolo seguinte: .

Tensão de alimentação:

1 x 200-240 V - 10 %/+ 6 %, 50/60 Hz, PE.

O valor de consumo de corrente só pode ser medido por um aparelho que meça o valor real RMS. Se forem usados outros instrumentos, os valores medidos serão diferentes dos valores reais.

Nas bombas SQ/SQE's, uma fuga de corrente de 2,5 mA a uma tensão de 230 V, 50 Hz, tipicamente pode ser medida. A fuga de corrente é proporcional à tensão de alimentação.

As bombas SQE e SQE-NE podem ser ligadas a uma caixa de controlo, tipo CU 300 ou CU 301.



A bomba nunca deve ser ligada a um condensador ou a qualquer outro tipo de caixa de controlo a não ser o CU 300 ou CU 301. A bomba nunca deve ser ligada a um conversor de frequência externo.

5.2 Protecção do motor

O motor incorpora protecção térmica e não requer qualquer outra protecção adicional.

5.3 Ligações do motor

O motor incorpora um arrancador e pode, assim, ser ligado directamente à corrente do sector.

O arranque/paragem da bomba será feito tipicamente por meio de um pressostato, conforme ilustrado na fig. 4.



O pressostato deve estar preparado para a corrente máxima da bomba especificada.

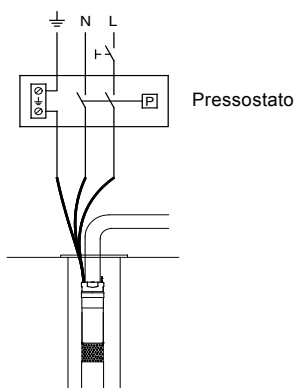


Fig. 4

6. Instalação

6.1 Generalidades

AVISO

Choque eléctrico

Morte ou lesões pessoais graves



- Antes de iniciar o trabalho na bomba, certifique-se de que a alimentação eléctrica à mesma está desligada e que não pode ser ligada acidental ou inadvertidamente.



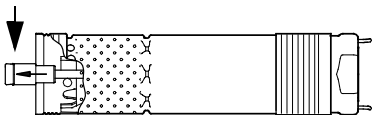
Não baixar ou içar a motobomba de dentro do furo por meio do cabo eléctrico de alimentação.

A placa indicativa fornecida conjuntamente com a bomba, mas em separado, deve ser colocada em local visível junto ao local de instalação.

6.2 Montagem do conjunto da bomba ao conjunto do motor

Para montar a bomba no respectivo motor proceder da seguinte forma:

1. Colocar o motor horizontalmente num torno de bancada e apertá-lo, conforme mostrado na fig. 6.
2. Colocar a bomba na posição indicada na fig. 5.



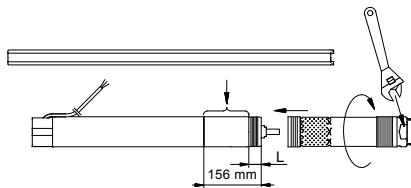
TM02 8425 5203

Fig. 5

3. Emassar a ponta do veio do motor com a massa fornecida com este.
4. Enroscar o conjunto da bomba no conjunto do motor.

Atenção: O veio da bomba deve encaixar no veio do motor.

Pode ser usada uma chave inglesa nas faces de aperto do conjunto da bomba, ver fig. 6.



TM01 2854 3804

Fig. 6

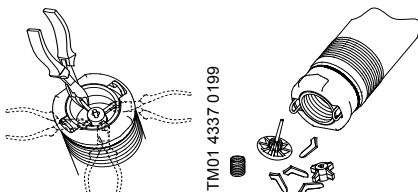
Motor (P2) [kW]	L [mm]
0,70	120
1,15	102
1,68	66
1,85	66

Quando a bomba está adequadamente montada no seu motor, não deve haver qualquer folga entre o corpo da bomba e o corpo do motor.

6.3 Remoção da válvula de retenção

Se for necessário uma bomba sem válvula de retenção, a válvula pode ser retirada da seguinte forma:

1. Cortar as guias da válvula de retenção utilizando um alicate de corte ou ferramenta similar, ver fig. 7.
2. Colocar a bomba na vertical com a descarga virada para baixo.
3. Verificar se todas as peças soltas saem da bomba.



TM01 4337 0199

TM01 4338 0199

Fig. 7



SQE-NE são fornecidas sem válvula de retenção.

A válvula de retenção pode ser montada num oficina de reparação Grundfos.

6.4 Ligação da ficha terminal do cabo ao motor

AVISO

Choque eléctrico

Morte ou lesões pessoais graves



- A ficha do motor não deve sob circunstância alguma ser removida pelo utilizador.
- O cabo com uma ficha deve ser equipado ou removido por uma oficina de assistência autorizada da Grundfos ou por uma pessoa igualmente qualificada.

A seguinte descrição é exclusivamente dirigida a pessoal de serviço. Se for necessário substituir o cabo do motor, consulte a secção [5.1 Generalidades](#).

A ficha terminal do cabo fornecida pela fábrica vem já lubrificada. Verificar se a ficha terminal está correctamente lubrificada.

Para instalar a ficha terminal proceder da seguinte forma:

1. Verificar se o cabo é do tipo adequado e se tem as dimensões adequadas, tanto no que se refere à secção dos condutores como ao comprimento.
2. Verificar se a tomada de corrente do sector existente no local tem ligação à terra adequada.
3. Verificar se a tomada do motor está seca e limpa. Assegure-se que a junta de desaperto foi instalada.
4. Insira a ficha terminal na tomada do motor. Devido à sua forma não é possível ligar a ficha de forma incorrecta, ver fig. 8.

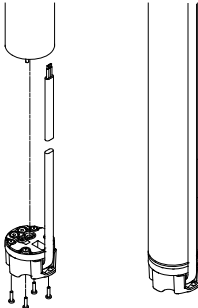


Fig. 8

5. Monte e aperte os quatro parafusos (1 - 1,5 Nm), ver fig. 8.

Depois da ficha terminal ter sido instalada, não deve ficar qualquer folga entre o motor e a ficha.

TM02 9605 3504

6.5 Instalar o guarda cabo

Para instalar a guarda do cabo proceder da seguinte forma:

1. Certifique-se de que o cabo submersível está alinhado com a bomba e encostado a ela, de forma a ficar dentro da caixa formada pela guarda.
2. Coloque a protecção do cabo na ranhura da ficha do cabo. As duas unhas da guarda do cabo devem ficar introduzidas no rasgo superior do corpo da bomba, ver fig. 9.

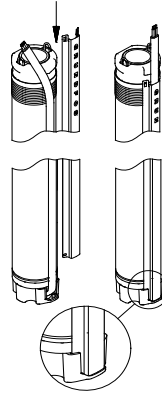


Fig. 9

3. Apertar a guarda do cabo ao filtro de aspiração com os dois parafusos auto-roscentes fornecidos, ver fig. 10.

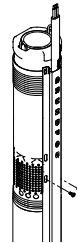


Fig. 10

TM02 9613 3504

TM01 4427 0299

6.6 Dimensionamento do cabo

A Grundfos pode fornecer cabos submersíveis adequados a qualquer tipo de instalação.



A secção dos condutores do cabo submersível deve ser a suficiente para satisfazer os requisitos impostos pela tensão especificados na secção [5.1 Generalidades](#).

Os valores das tabelas abaixo são calculados através da seguinte fórmula:

$$q = \frac{I \times 2 \times 100 \times PF \times L \times \rho}{U \times \Delta U}$$

q = Secção dos condutores do cabo eléctrico submersível [mm²].

I = Corrente nominal máxima do motor [Amp].

PF = 1,0.

L = Comprimento do cabo submersível [metros].

ρ = Resistência específica: 0,02 [Ωmm²/m].

U = Tensão nominal [V].

ΔU = Queda de tensão [%] = 4 %.

A queda de tensão de 4 % está em conformidade com a norma IEC 3-64, Série HD-384.

O cálculo tem como resultado os seguintes comprimentos máximos de cabo para uma tensão de alimentação de 240 Volts:

Comprimento máximo do cabo [m]

Motor (P2)	I _N	Dimensão do cabo					
		1,5 mm ²	2,1 mm ² / 14 AWG	2,5 mm ²	3,3 mm ² / 12 AWG	4 mm ²	6 mm ²
[kW]	[A]						
0,7	5,2	80	112	133	176	213	320
1,15	8,4	50	69	83	109	132	198
1,68	11,2	37	52	62	82	99	149
1,85	12	35	49	58	76	92	139

6.7 Instalação do cabo de alimentação

Recomenda-se a união do cabo de alimentação com o cabo do motor por meio de um kit de união Grundfos tipo KM.

Kit de união de cabos tipo KM	
Secção dos condutores	Número do produto
1,5 a 6,0 mm ²	96021473

Para secções maiores, é favor consultar a Grundfos.

6.8 Ligações dos tubos

Se for usada uma ferramenta de aperto, como por exemplo uma chave de corrente, para apertar o tubo de compressão da bomba ao corpo da bomba, esta deve ser apenas segurada pela sua câmara de descarga.

Quando se proceder à união de tubos de plástico, deve ser instalada uma união de compressão entre a bomba e a primeira quartelada de tubo.



No caso de bombas servidas por tubos em plástico, a distensão do plástico quando sob carga deve ser tomada em consideração quando for decidida a profundidade da instalação da bomba.

Quando forem usados tubos de união por flanges, as flanges devem apresentar rasgos na periferia para o encaixe do cabo eléctrico de alimentação do motor da bomba.

A figura 11 ilustra uma instalação de bomba com indicação de:

- posição das braçadeiras de fixação do cabo, pos. 1, e distância entre braçadeiras.
- instalação do arame de suspensão, pos. 2.
- profundidade máxima da instalação abaixo do nível estático da água.

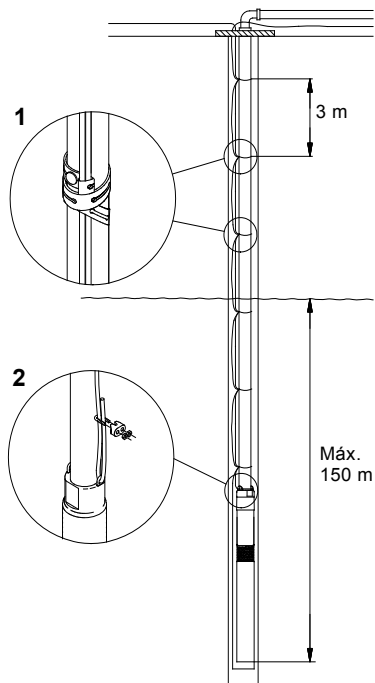


Fig. 11

6.8.1 Braçadeiras dos cabos

O cabo deve ser fixado por meio de braçadeiras colocadas de três em três metros conforme indicado na fig. 11.

Quando se efectuar a união de tubos de plástico, deve ser deixada alguma folga no cabo entre cada duas braçadeiras já que os tubos de plástico dilatam quando em carga.

Quando são usadas uniões flangeadas, as braçadeiras do cabo devem ser instaladas por cima e por baixo de cada união.

TM01 0480 4397

6.8.2 Profundidade da instalação

Profundidade **máxima** da instalação abaixo do nível estático da água: 150 metros, ver fig. 11.

Profundidade **mínima** da instalação abaixo do nível dinâmico da água:

- **Instalação vertical:**
A bomba deve estar sempre completamente submersa na água.
- **Instalação horizontal:**
A bomba deve ser instalada pelo menos a 0,5 metros abaixo do nível dinâmico da água. Se houver o risco da bomba ficar soterrada nos sedimentos, então deverá ser instalada numa camisa de refrigeração.

6.8.3 Quando se proceder ao abaixamento da motobomba para o interior do furo

Recomenda-se que a bomba seja sustentada por um arame de suspensão, conforme indicado na fig. 11, pos. 2.

Após a bomba estar baixada e colocada no seu lugar, deve-se aliviar a tensão do arame de suspensão e fixá-lo na tampa de selagem do furo por meio de um dispositivo de fixação apropriado.



O arame de suspensão não deve de ser usado para puxar a bomba com a tubagem para fora do furo.



Não baixar ou içar a motobomba de dentro do furo por meio do cabo eléctrico de alimentação.

7. Arranque

Assegure-se de que o poço é capaz de proporcionar água em quantidade suficiente para satisfazer o débito da bomba, de maneira a que esta não fique a trabalhar em seco.

Não ponha a funcionar a bomba sem que esteja completamente submergido no líquido.

Ponha a bomba a funcionar e não a pare antes que o líquido que está a ser bombeado saia completamente limpo já que, de outra forma, o interior da bomba, as suas partes móveis e a válvula de retenção podem ficar atascados ou presos por resíduos sólidos.

8. Funcionamento

8.1 Caudal mínimo

Para assegurar a refrigeração mínima necessária ao motor, o caudal da bomba nunca deve ser regulado para um valor inferior a 50 l/h.

Se o caudal cair subitamente, muito provavelmente será porque a bomba está a debitar mais água que a produzida pela nascente ou pelo poço. Neste caso a bomba deve ser parada e a anomalia corrigida.



O sistema contra falta da água da bomba só é eficiente para a gama de funcionamento da bomba especificada.

8.2 Selecção do reservatório de diafragma, ajuste da pressão de ar do reservatório e do pressostato

AVISO



Sistema pressurizado

Morte ou lesões pessoais graves

- A instalação deve ser preparada para a pressão máxima.

Porque o arranque suave da bomba é efectuado em 2 segundos, a pressão no pressostato e no reservatório de diafragma durante o arranque, é inferior à pressão de arranque regulada no pressostato (P_{arranque}). Esta pressão referida, é designada por pressão mínima ($P_{\text{mín}}$).

$P_{\text{mín}}$ é igual à pressão mínima desejada na válvula localizada no ponto mais elevado + altura manométrica e respectivas perdas de carga na tubagem, desde o pressostato e reservatório de diafragma, até à válvula no ponto mais elevado ($P_{\text{mín}} = B + C$), ver fig. 12.

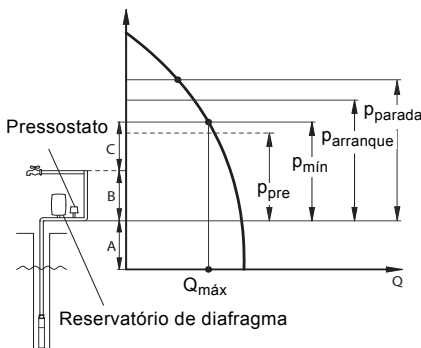


Fig. 12

- A: Altura manométrica + perdas de carga desde o nível dinâmico da água ao reservatório de diafragma.
- B: Altura manométrica + perdas de carga desde o reservatório de diafragma à válvula no ponto mais elevado.
- C: Pressão mínima na válvula no ponto mais elevado.



Assegure-se que a bomba seleccionada pode fornecer uma pressão maior que: $P_{\text{paragem}} + A$.

- P_{pre} : Pressão de ar do reservatório de diafragma.
- $P_{\text{mín}}$: Pressão mínima requerida.
- P_{arranque} : Pressão de arranque do pressostato.
- P_{paragem} : Pressão de paragem do pressostato.
- $Q_{\text{máx}}$: Caudal máximo à $P_{\text{mín}}$.

TM00 6445 3795

8.3 Sobrecarga de pressão de sistema no poço

De modo a garantir proteção contra sobrepressão, instale uma válvula de descompressão a jusante da boca do poço. O valor de ajuste da válvula de descompressão deve ser pelo menos 30 psi acima da configuração de pressão.

Se instalar uma válvula de descompressão, recomendamos que a ligue a um ponto de drenagem adequado.

Utilizando p_{\min} e Q_{\max} , a dimensão mínima do reservatório de diafragma, os ajustes da pressão do ar e do pressostato podem ser encontrados na tabela abaixo indicada:

Exemplo:

$p_{\min} = 35$ m altura, $Q_{\max} = 2,5$ m³/h.

Com base nesta informação, os seguintes valores podem ser encontrados na tabela:

Dimensão mínima do reservatório de diafragma = 33 litros.

$p_{\text{pre}} = 31,5$ m altura.

$p_{\text{arranque}} = 36$ m altura.

$p_{\text{paragem}} = 50$ m altura.

P_{\min} [m]	Q_{\max} [m ³ /h]																P_{pre} [m]	$P_{\text{arr.}}$ [m]	$P_{\text{par.}}$ [m]		
	0,6	0,8	1	1,2	1,5	2	2,5	3	3,5	4	4,5	5	5,5	6	6,5	7				7,5	8
Dimensão do reservatório de diafragma [litros]																					
25	8	8	18	18	18	18	24	33	33	50	50	50	50	80	80	80	80	80	22,5	26	40
30	8	8	18	18	18	24	33	33	50	50	50	50	80	80	80	80	80	80	27	31	45
35	8	18	18	18	18	24	33	33	50	50	50	80	80	80	80	80			31,5	36	50
40	8	18	18	18	18	24	33	50	50	50	80	80	80	80	80				36	41	55
45	8	18	18	18	24	33	33	50	50	50	80	80	80	80					40,5	46	60
50	8	18	18	18	24	33	50	50	50	80	80	80	80						45	51	65
55	18	18	18	18	24	33	50	50	50	80	80	80							49,5	56	70
60	18	18	18	18	24	33	50	50	80	80	80	80							54	61	75
65	18	18	18	24	24	33	50	50	80	80	80	80							58,5	66	80

1 m altura manométrica = 0,098 bar.

8.4 Protecção integrada

O motor incorpora uma unidade electrónica que assegura a sua protecção numa série de situações.

No caso de ocorrência de sobrecarga, a protecção integrada fará com que o motor pare durante 5 minutos. Depois desse período a bomba tentará arrancar de novo.

Se a bomba parou devido a funcionamento em seco, então arrancará automaticamente ao fim de 5 minutos.

Se bomba é novamente iniciada e o furo está vazio, a bomba irá parar após 30 segundos.

Para reinicializar a bomba: desligar a alimentação eléctrica do motor durante 1 minuto.

Além disso o motor é ainda protegido quanto às seguintes ocorrências:

- funcionamento em seco
- picos de tensão (até 6000 V)
Em áreas onde existe uma grande passagem de corrente, é necessário uma protecção externa contra a passagem de corrente.
- tensão superior à normal
- tensão inferior à normal
- sobrecarga e
- excesso de temperatura.

Bombas SQE/motores MSE 3:



Notas ou instruções que tornam este trabalho mais fácil garantindo um funcionamento seguro.

9. Manutenção e assistência

Normalmente, as bombas não têm necessidade de qualquer manutenção.

Podem, naturalmente, ocorrer depósitos e desgastes. Para resolver os problemas daí resultantes, a Grundfos dispõe de kits e ferramentas de assistência. O Manual de Assistência da Grundfos está também disponível, a pedido.

As bombas podem ser assistidas num centro de assistência da Grundfos.

9.1 Bombas contaminadas



Se a bomba tiver sido usada com líquidos que sejam perigosos para a saúde ou tóxicos, a bomba deverá ser classificada como contaminada.

Se for requerida assistência à Grundfos, esta empresa deve ser informada de todos os detalhes referentes ao tipo de líquido movimentado pela bomba, etc., *antes* de se poder enviar a bomba para que lhe seja prestada assistência. Caso contrário a Grundfos poderá recusar a recepção da bomba para assistência.

No entanto, todo e qualquer pedido de assistência (independentemente da entidade a que for feito) deve ser acompanhado de detalhes sobre o tipo de líquido que era movimentado pela bomba e das suas eventuais características de toxicidade ou outras que sejam perigosas para a saúde.

SQE-NE: Só as bombas que possam ser certificadas como estando não contaminadas, isto é, bombas que não contenham líquidos ou produtos tóxicos ou perigosos para saúde, podem ser enviadas à Grundfos para assistência.

Para evitar riscos de saúde para as pessoas envolvidas na recepção e reparação das bomba, assim como de contaminação do ambiente, cada bomba enviada para assistência deve ser acompanhada de um certificado em como está limpa e isenta de substâncias tóxicas.

A Grundfos deve receber este certificado antes de receber a bomba. Caso contrário a Grundfos recusará a recepção da bomba para assistência.

Os eventuais custos da devolução da bomba ao cliente serão suportados por este.

10. Tabela de detecção de avarias

ATENÇÃO

Choque eléctrico

Lesões pessoais de baixa ou média gravidade



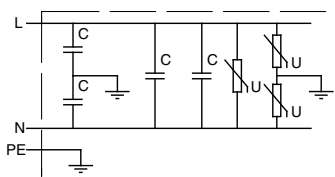
- Antes de iniciar o trabalho na bomba, certifique-se de que a alimentação eléctrica à mesma está desligada e que não pode ser ligada acidental ou inadvertidamente.

Avaria	Causa	Reparação
1. A bomba não funciona.	a) Os fusíveis da instalação eléctrica estão queimados.	Substituir os fusíveis queimados. Se os novos fusíveis também se queimarem, a instalação eléctrica da bomba e o cabo submersível têm de ser verificados.
	b) O disjuntor de terra (ELCB) ou o ELCB operado por tensão disparou.	Ligar o disjuntor.
	c) Não há alimentação eléctrica.	Contactar a companhia fornecedora de energia eléctrica.
	d) A protecção do motor cortou a alimentação devido a sobrecarga.	Verificar se o motor/a bomba estão bloqueados.
	e) A bomba/o cabo submersível estão avariados.	Reparar/substituir a bomba/o cabo.
	f) Ocorreu uma sobretensão ou subtensão.	Verificar a alimentação.
2. A bomba funciona mas não debita água.	a) A válvula de descarga está fechada.	Abrir a válvula.
	b) Não há água ou o nível de água no furo é insuficiente.	Ver item 3 a).
	c) A válvula de retenção está encravada na posição fechada.	Puxar a bomba para fora e limpar ou substituir a válvula.
	d) O filtro de aspiração está entupido.	Puxar a bomba para fora e limpar o filtro.
	e) A bomba está avariada.	Reparar/substituir a bomba.
3. A bomba funciona com um caudal reduzido.	a) O caudal nominal de aspiração da bomba é maior que o caudal que pode ser fornecido pelo furo ou poço.	Aumentar a profundidade de instalação da bomba, estrangular o débito da bomba ou substituí-la por um modelo mais pequeno, de menor capacidade.
	b) As válvulas no tubo de descarga estão parcialmente fechadas/bloqueadas.	Verificar e limpar/substituir as válvulas, se necessário.
	c) O tubo de descarga está parcialmente bloqueado por impurezas (ocre).	Limpar/substituir o tubo de descarga.
	d) A válvula de retenção da bomba está parcialmente bloqueada.	Puxar a bomba para fora e verificar/substituir a válvula.
	e) A bomba e o tubo de descarga estão parcialmente bloqueados por impurezas (ocre).	Puxar a bomba para fora. Verificar e limpar ou substituir a bomba, se necessário. Limpar os tubos.
	f) A bomba está avariada.	Reparar/substituir a bomba.
	g) O tubo tem fugas.	Verificar e reparar o tubo.
	h) O tubo de descarga tem avaria.	Substituir o tubo de descarga.
	i) Ocorreu uma queda de tensão.	Verificar a alimentação eléctrica.

Avaria	Causa	Reparação
4. Paragens e arranques frequentes.	a) A diferença entre as pressões de arranque e paragem programadas no pressostato é muito pequena.	Aumentar a diferença das pressões. Contudo, a pressão de paragem não pode exceder a pressão de funcionamento do depósito pressurizado do hidróforo, e a pressão de arranque deve ser suficientemente alta para assegurar uma adequada alimentação de água.
	b) Os eléctrodos do nível de água ou os interruptores de nível no depósito não foram correctamente instalados.	Ajustar as distâncias entre os eléctrodos ou interruptores de nível para assegurar um intervalo de tempo adequado entre o arranque e a paragem da bomba. Ver as instruções de instalação e operação para os dispositivos automáticos utilizados. Se os intervalos entre os arranques e paragens não puderem ser modificados por meio dos sistemas automáticos, a capacidade da bomba pode ser reduzida por fecho parcial da válvula de descarga.
	c) A válvula de retenção está com fuga ou encravada em posição parcialmente aberta.	Puxar a bomba para fora e limpar ou substituir a válvula.
	d) A tensão da corrente de alimentação é instável.	Verificar a corrente de alimentação.
	e) A temperatura do motor sobe muito.	Verificar a temperatura da água.

10.1 Verificação do isolamento

Uma verificação do isolamento de uma instalação que alimente uma bomba SQ/SQE não é permitida, visto que os circuitos e os componentes electrónicos deste podem ser danificados, ver fig. 13.



TMM02 0689 5000

Fig. 13

11. Verificação da alimentação eléctrica

AVISO

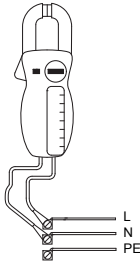
Choque eléctrico

Morte ou lesões pessoais graves



- Antes de iniciar o trabalho na bomba, certifique-se de que a alimentação eléctrica à mesma está desligada e que não pode ser ligada acidental ou inadvertidamente.

1. Tensão de alimentação



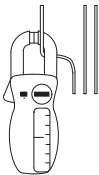
TM00 1371 4904

Medir a tensão (RMS) entre a fase e o neutro. Ligar os terminais de voltímetros aos terminais de ligação.

A tensão, quando o motor está em funcionamento, deve estar dentro dos intervalos especificados na secção 5. *Ligação eléctrica*.

Grandes variações de tensão indicam fraco abastecimento eléctrico, e a bomba deve ficar parada até a avaria estar solucionada.

2. Consumo de corrente



TM00 1372 5082

Medir o consumo eléctrico (RMS) de cada fase enquanto a bomba está a funcionar a uma altura de descarga constante (se possível a uma capacidade em que o motor está mais carregado).

Para a corrente máx. de funcionamento, ver a placa.

Se a corrente exceder a corrente nominal, existem as seguintes avarias:

- Mau aperto dos fios condutores possivelmente na junta do cabo.
- Abastecimento de tensão demasiado baixo. Ver item 1.

12. Meio ambiente

Durante a movimentação, operação, armazenamento e transporte, devem ser cumpridos todos os regulamentos ambientais que se referem ao manuseamento de materiais perigosos.

AVISO

Substância corrosiva

Morte ou lesões pessoais graves



- Quando uma bomba é retirada de serviço, deve-se assegurar que não é deixado nenhum líquido, na bomba/motor, e na conduta principal, que possa ser prejudicial às pessoas e ao meio ambiente.

Em caso de dúvida, é favor contactar a Grundfos ou as autoridades locais.

13. Eliminação

Este produto ou as suas peças devem ser eliminadas de forma ambientalmente segura:

1. Utilize o serviço de recolha de desperdícios público ou privado.
2. Se tal não for possível, contacte a Grundfos mais próxima de si ou oficina de reparação.

Sujeito a alterações.

Traducerea versiunii originale în limba engleză

CUPRINS

	Pagina
1. Simboluri folosite în acest document	275
2. Generalități	276
2.1 Aplicații	276
3. Date tehnice	277
3.1 Depozitare	277
3.2 Nivelul de zgomot	277
4. Pregătire	277
4.1 Reumplerea cu lichid a motorului	277
4.2 Poziționare	277
4.3 Temperatura mediului/răcirea motorului	278
5. Conexiuni electrice	279
5.1 Generalități	279
5.2 Protecția motorului	279
5.3 Conectarea motorului	279
6. Instalare	280
6.1 Generalități	280
6.2 Legarea pompei la motor	280
6.3 Demontarea supapei de reținere	280
6.4 Montarea fișei de cablu la motor	281
6.5 Montarea scutului cablului	281
6.6 Dimensionarea cablului	282
6.7 Montarea cablului submersibil	283
6.8 Conectarea instalației de conducte	283
7. Pornire	284
8. Funcționare	284
8.1 Debitul minim	284
8.2 Alegerea rezervorului cu diafragmă și setarea presiunii de presarcină și a presostatului	284
8.4 Protecție încorporată	286
9. Întreținere și reparații	286
9.1 Pompe contaminate	286
10. Tabel de identificare a defecțiunilor	287
10.1 Masurarea rezistenței de izolație	288
11. Verificarea alimentării cu energie electrică	289
12. Mediu	289
13. Scoaterea din uz	289



Înainte de instalare, citiți acest document. Instalarea și exploatarea trebuie să se conformeze reglementărilor locale și codurilor de bună practică acceptate.



Acest aparat poate fi utilizat de copii cu vârsta de cel puțin 8 ani și de persoane cu capacități fizice, senzoriale sau mentale reduse sau lipsite de experiență și cunoștințe, dacă sunt supravegheate sau sunt instruite pentru utilizarea în condiții de siguranță a aparatului și înțeleg pericolele implicate.

Copiii nu trebuie să se joace cu aparatul. Curățarea și întreținerea de către utilizator nu trebuie efectuată de copii fără supraveghere.

1. Simboluri folosite în acest document

PERICOL



Indică o situație periculoasă, care dacă nu este evitată va avea drept rezultat decesul sau accidentarea gravă.

AVERTIZARE



Indică o situație periculoasă, care dacă nu este evitată ar putea avea drept rezultat decesul sau accidentarea gravă.

ATENȚIE



Indică o situație periculoasă care dacă nu este evitată ar putea avea drept rezultat accidentarea ușoară sau moderată.

Textul care însoțește cele trei simboluri de pericol PERICOL, AVERTIZARE și ATENȚIE va fi structurat în felul următor:

CUVÂNTUL DE AVERTIZARE



Descrierea pericolului

Consecința ignorării avertizării.
- Acțiunea pentru evitarea pericolului.



Un cerc albastru sau gri, cu un simbol grafic alb indică necesitatea luării de măsuri.



Un cerc roșu sau gri, cu o bară diagonală, eventual cu un simbol grafic negru, indică faptul că nu trebuie luate măsuri sau că acestea trebuie să înceteze.



Nerespectarea acestor instrucțiuni de siguranță, poate cauza defectarea sau deteriorarea echipamentului.



Sfaturi și sugestii care fac munca mai ușoară.

2. Generalități

AVERTIZARE

Electrocutare



Deces sau accidentare gravă
- Pompa nu trebuie să funcționeze când persoanele care o utilizează sunt în apă.

La pagina 412 a acestor instrucțiuni de instalare și de utilizare se găsesc copii ale plăcuțelor de identificare a pompei și a motorului.

Înainte de coborârea pompelor SQ/SQE în puț, această pagină trebuie completată cu datele importante de pe plăcuța de identificare.

Aceste instrucțiuni de instalare și de utilizare trebuie păstrate într-un loc uscat în apropierea locului de instalare pentru a putea fi consultate în orice moment.

2.1 Aplicații

Pompele **SQ** și **SQE** sunt adecvate pentru pomparea mediilor curate, fluide, neagresive, neexplozibile, fără particule solide sau fibre.

Aplicații tipice:

- Alimentare cu apă pentru
 - locuințe private
 - mici rețele de apă
 - sisteme de irigații, de exemplu sere.
- Transferul lichidelor în rezervoare.
- Creșterea presiunii.

Pompele **SQE-NE** sunt adecvate pentru pomparea mediilor curate, fluide, neagresive, neexplozibile, fără particule solide sau fibre.

Pompele sunt adecvate pentru pomparea apelor freactice contaminate sau cu hidrocarburi, de exemplu din

- hale
- depozite chimice
- zone industriale
- stații de alimentare cu benzină și petrol
- aplicații de mediu.

Pompele **SQE-NE** pot fi folosite pentru luarea de mostre și monitorizare, și într-o anumită măsură încorporate în uzine de tratare a apei.

Informații care se aplică în cazul tuturor tipurilor de pompe

Conținutul maxim de nisip în apă nu trebuie să depășească 50 g/m³. Un conținut mai mare de nisip va reduce durata de viață a pompei și va crește riscul blocării acesteia.

Notă

Dacă trebuie pompat lichide cu o vâscozitate ce o depășește pe cea a apei, vă rugăm contactați Grundfos.

Valori ale pH:

SQ și SQE: 5 la 9.

SQE-NE: Vă rugăm contactați Grundfos.

Temperatura lichidului:

Temperatura lichidului pompat nu trebuie să depășească 35 °C.

3. Date tehnice

Tensiune de alimentare:

1 x 200-240 V - 10 %/+ 6 %, 50/60 Hz, PE.

Operare prin generator: la limita inferioară, ieșirea generatorului trebuie să fie egală cu cea a motorului P_1 [kW] + 10 %.

Curent de pornire:

Curentul de pornire al motorului este egal cu cea mai mare valoare menționată pe plăcuța de identificare a motorului.

Factorul de putere:

PF = 1.

Lichid în motor:

Tip SML 2.

Cablul motorului:

1,5 m, 3 x 1,5 mm³, PE.

Temperatura lichidului:

Maxim 35 °C.

Dimensiunea orificiului de evacuare al pompei:

SQ 1, SQ 2, SQ 3: Rp 1 1/4.

SQ 5, SQ 7: Rp 1 1/2.

Diametrul pompei:

74 mm.

Diametrul puțului:

Minim 76 mm.

Adâncimea de instalare:

Maxim 150 m sub nivelul static al apei.

Vezi de asemenea [6.8.2 Adâncime de instalare](#).

Greutate netă:

Maxim 6,5 kg.

3.1 Depozitare

Temperatură de depozitare: -20 °C la +60 °C.

3.1.1 Protecție contra înghețului

În cazul în care, după folosire, pompa trebuie depozitată, locul de depozitare nu trebuie să fie înghețat, sau trebuie asigurat faptul că lichidul motorului este rezistent la îngheț.

Motorul nu are voie să fie depozitat fără lichidul motorului.

3.2 Nivelul de zgomot

Nivelul de zgomot al pompei se află sub valorile limită indicate în directiva CE 2006/42/CE pentru mașini.

4. Pregătire

Motoarele Grundfos submersibile MS 3 și MSE 3 au lagăre de alunecare unse cu apă. Nu este necesară o ungere suplimentară.

Motoarele subacvatice sunt umplute din fabricație cu un lichid de motor Grundfos special (de tipul SML 2), rezistent la îngheț de până la -20 °C și este conservat, pentru a evita creșterea și evoluția bacterială.

Nivelul lichidului este hotărâtor pentru durata de viață a lagărelor și implicit a motorului.

4.1 Reumplerea cu lichid a motorului

Dacă din diverse motive lichidul din motor a fost eliminat sau pierdut, motorul trebuie reumplut cu lichid de motor Grundfos SML 2.

Pentru a reumple motorul se procedează după cum urmează:

1. Se demontează scutul cablului și se separă pompa de motor.

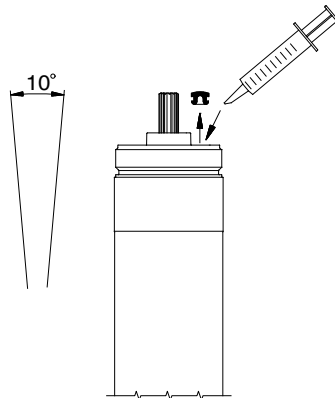


Fig. 1

2. Motorul se așează în poziție verticală cu o înclinație de aprox. 10 °.
3. Se demontează bușonul de umplere cu o șurubelniță sau o unealtă asemănătoare.
4. Lichidul se injectează în motor cu o seringă sau un instrument asemănător.
5. Pentru a permite evacuarea aerului, motorul se mișcă de pe o parte pe alta.
6. Se remontează bușonul și i se asigură etanșeitatea.
7. Se assemblează pompa și motorul.
8. Se remontează scutul cablului.

Pompa este acum gata de a fi reînaltată.

4.2 Poziționare

Pompa poate fi montată atât vertical cât și orizontal. Arborele de pompă însă, nu are voie să se afle

niciodată sub poziția orizontală, vezi fig. 2.

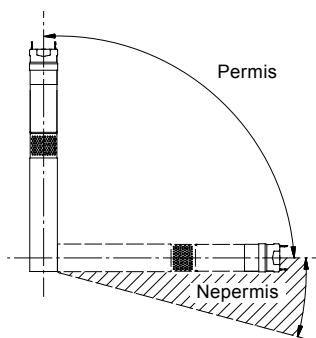


Fig. 2

În cazul în care pompa este montată orizontal, de ex. într-un recipient, și există posibilitatea înnămolirii ei, pompa trebuie montată într-o manta de răcire.

Pentru adâncimile de montaj, vezi subcapitolul 6.8.2 *Adâncime de instalare*.

4.3 Temperatura mediului/răcirea motorului

Fig. 3 arată o pompă SQ/SQE montată într-un puț. Pompa funcționează.

Fig. 3 ilustrează următoarele:

- diametrul puțului
- diametrul pompei
- temperatura lichidului pompat
- curgerea pe lângă motor până la sita de admisiune.

TM01 1375 4397

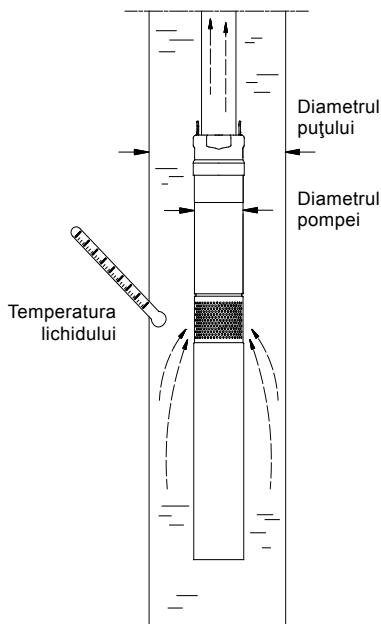


Fig. 3

Pentru a vă asigura că motorul s-a răcit suficient, este important de observat temperatura maximă a lichidului de 35 °C în toate situațiile.



Diametrul puțului trebuie să măsoare cel puțin 76 mm (cca. 3").

Motorul trebuie montat deasupra filtrului puțului. În cazul folosirii unei mantale de răcire, pompa poate fi montată liber în puț.



Pompa poate funcționa cel mult 5 min. cu conducta de refulare închisă. În cazul în care conducta de refulare este închisă, nu există curent de răcire și astfel există pericolul unei supratemperaturi la motor și pompă.

În cazul în care temperatura actuală a mediului se află peste valoarea specifică, sau condițiile de funcționare se află în afara specificațiilor, se poate întâmpla ca pompa să se oprească. Vă rugăm să luați legătura cu Grundfos.

TM01 0518 1297

5. Conexiuni electrice

5.1 Generalități

Conectarea electrică trebuie efectuată de către un specialist în conformitate cu regulamentele locale.

AVERTIZARE

Electrocutare

Deces sau accidentare gravă

- Înaintea începerii oricăror lucrări la pompă sau la motor trebuie neapărat decuplată legătura electrică. Trebuie luate măsurile corespunzătoare ca aceasta să nu poată fi întâmplător recuplată.
- Pompa trebuie împământată.
- Pompa trebuie conectată la un comutator extern, cu întrefier minim de 3 mm pe toți polii.
- Dacă cablul motorului este deteriorat, trebuie să fie schimbat de către Grundfos, un partener de service autorizat Grundfos sau de către persoane calificate pentru a evita orice risc.



Tensiunea de alimentare, curentul nominal maxim și factorul de putere (PF) sunt înscrise pe plăcuța de identificare a motorului.

Tensiunea necesară pentru motoarele submersibile Grundfos, măsurată la bornele motorului, se ridică la - 10 %/+ 6 % din tensiunea nominală în timpul funcționării continue (inclusiv toleranța din tensiunea de alimentare și pierderile din cabluri).

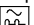
AVERTIZARE

Electrocutare

Deces sau accidentare gravă

- În cazul în care pompa este conectată la o instalație electrică în care se montează și un circuit de scurgere la pământ (ELCB) ca protecție suplimentară, acest întrerupător de circuit **trebuie** să comute atât în cazul defecțiunii curenților alternativi, cât și a celor continue care pulsează.



Acești comutatoari de protecție **trebuie** marcați prin următorul simbol: .

Tensiunea de alimentare:

1 x 200-240 V - 10 %/+ 6 %, 50/60 Hz, PE.

Cererea de curent electric poate fi măsurată doar cu un dispozitiv de măsurat a valorii efective.

Celelalte dispozitive de măsurare indică valori ce deviază de la valoarea actuală.

Pe pompele SQ/SQE se poate măsura o scurgere de curent de 2,5 mA, la 230 V, 50 Hz. Curentul de scurgere este proporțional cu tensiunea de alimentare.

Pompele SQE și SQE-NE pot fi conectate la o unitate de control, tip CU 300 sau CU 301.



Pompa nu trebuie conectată la un condensator electric sau la un alt tip de unitate de control decât CU 300 sau CU 301. Pompa nu trebuie conectată niciodată la un convertizor extern de frecvență.

5.2 Protecția motorului

Motorul are un întrerupător termoelectric încorporat și nu are nevoie de altă protecție a motorului.

5.3 Conectarea motorului

Motorul are un dispozitiv încorporat de pornire și poate fi conectat direct la rețea.

Pornirea respectiv oprirea pompei se efectuează de regulă de la un presostat, vezi fig. 4.



Presostatul trebuie calibrat pentru curentul electric maxim al tipului corespunzător de pompă.

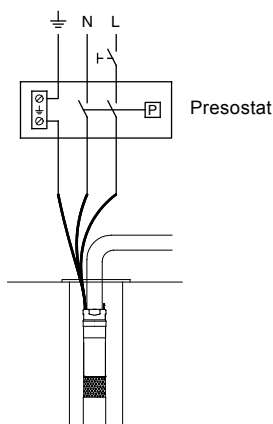


Fig. 4

6. Instalare

6.1 Generalități

AVERTIZARE

Electrocutare

Deces sau accidentare gravă



- Înaintea începerii oricăror lucrări la pompă sau la motor trebuie neapărat decuplată legătura electrică. Trebuie luate măsurile corespunzătoare ca aceasta să nu poată fi întâmplător recuplată.



Nu scufundați și nu ridicați pompa folosind cablul motorului.

Fiecare pompă va fi livrată cu o tăbliță indicatoare de putere suplimentară, ce trebuie fixată la locul de instalare.

6.2 Legarea pompei la motor

Motorul și pompa se leagă după cum urmează:

1. Motorul se fixează orizontal într-o menghină, vezi fig. 6.
2. Trageți etanșarea pompei afără de pe poziția arătată în fig. 5.

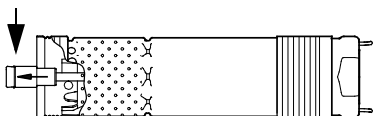


Fig. 5

3. Se unge capătul arborelui motorului cu vaselina livrată.
4. Se înșurubează partea de pompă la motor (55 Nm).

Atenție: Etanșarea pompei trebuie fixată cu etanșarea motorului.

La suprafața de prindere a părții de pompă poate fi folosită o cheie, vezi fig. 6.

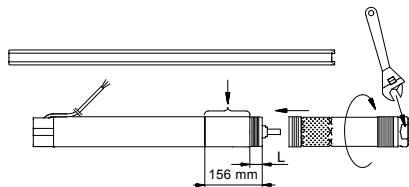


Fig. 6

Motor (P2) [kW]	L [mm]
0,70	120
1,15	102
1,68	66
1,85	66

Dacă partea de pompă și motorul au fost legate în mod corect, între ele nu va exista nici o distanță.

6.3 Demontarea supapei de reținere

Dacă este necesară o supapă de reținere, supapa poate fi demontată după cum urmează:

1. Se decuplează picioarele supapei cu o pereche de clești laterali sau o unealtă asemănătoare, vezi fig. 7.
2. Se întoarce pompa invers.
3. Se verifică dacă toate părțile demontabile nu mai sunt instalate pe pompă.

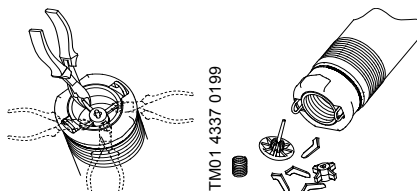


Fig. 7



SQE-NE este prevăzută cu o supapă de reținere.

Supapa de reținere poate fi montată la un punct de service Grundfos.

6.4 Montarea fișei de cablu la motor

AVERTIZARE

Electrocutare

Deces sau accidentare gravă



- Cablul motorului nu trebuie sub nici o circumstanță să fie schimbat de către utilizator.
- Cablul cu mufă trebuie fixat sau îndepărtat de un service autorizat Grundfos sau de persoană calificată similar.

Următoarea descriere este exclusiv pentru personalul de service. Dacă cablul motorului trebuie să fie înlocuit, vezi secțiunea [5.1 Generalități](#).

Fișa de cablu livrată în pachet este din fabrică unsă cu vaselină. Se verifică dacă fișa este unsă în mod corect cu grăsime.

Fișa de cablu va fi montată după cum urmează:

1. Se verifică dacă tipul, secțiunea transversală și lungimea sunt corecte.
2. Se verifică dacă alimentarea locală cu tensiune este corect legată la pământ.
3. Se verifică dacă priza motorului este curată și uscată. Asigurați-vă că este bine fixată cămașa.
4. Împingeți mufa cablului în soclul motorului. Fișa cablului nu poate fi montată greșit, vezi fig. [8](#).

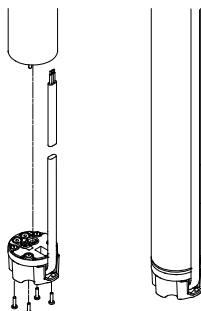


Fig. 8

5. Poziționați și strângeți cele patru șuruburi (1 - 1,5 Nm), vezi fig. [8](#).

După ce fișa a fost montată nu are voie să existe nici un fel de distanță între motor și fișa cablului.

TM02 9605 3504

6.5 Montarea scutului cablului

Scutul cablului se va monta după cum urmează:

1. Se introduce cablul submersibil în poziție plană în scutul cablului.
2. Poziționați cămașa cablului în locul special din mufa cablului. Cele două orificii laterale ale scutului cablului trebuie să intre în marginea superioară a mantiei pompei, vezi fig. [9](#).

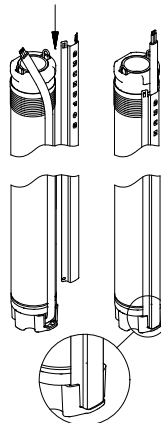


Fig. 9

3. Se fixează scutul cablului de filtrul de aspirație al pompei cu cele două șuruburi autofiletante livrate, vezi fig. [10](#).



Fig. 10

TM02 9613 3504

TM01 4427 0299

6.6 Dimensionarea cablului

Cablurile submersibile Grundfos pot fi livrate pentru diferite instalații.



Cablul submersibil trebuie să aibă mărimea potrivită, pentru a corespunde cerințelor de tensiune din capitolul [5.1 Generalități](#).

Valorile din tabelele de mai jos sunt calculate după formula următoare:

$$q = \frac{I \times 2 \times 100 \times PF \times L \times \rho}{U \times \Delta U}$$

q = secțiunea transversală a cablului [mm²].

I = Curentul nominal maxim al motorului [A].

PF = 1,0.

L = Lungimea cablului submersibil [m].

ρ = Rezistența specifică: 0,02 [Ωmm²/m].

U = Tensiune nominală [V].

ΔU = Cădere de tensiune [%] = 4 %.

Căderea de tensiune este conformă cu IEC 3-64, Seria HD-384.

Din calcul rezultă următoarele lungimi maxime de cablu la o tensiune de alimentare de 240 V:

		lungimea maximă a cablului [m]					
Motor (P2)	I _N [A]	Dimensiune cablu					
		1,5 mm ²	2,1 mm ² / 14 AWG	2,5 mm ²	3,3 mm ² / 12 AWG	4 mm ²	6 mm ²
[kW]							
0,7	5,2	80	112	133	176	213	320
1,15	8,4	50	69	83	109	132	198
1,68	11,2	37	52	62	82	99	149
1,85	12	35	49	58	76	92	139

6.7 Montarea cablului submersibil

Se recomandă să se conecteze cablul submersibil cu cel al motorului cu ajutorul conectorului Grundfos de tipul KM.

Conector, tip KM	
Secțiunea transversală a conductorului	Numărul produsului
1,5 la 6,0 mm ²	96021473

În cazul unor secțiuni transversale mai mari ale conductorului, vă rugăm să contactați Grundfos.

6.8 Conectarea instalației de conducte

Dacă se folosește o unealtă, de ex. o cheie pentru țevi atunci când se montează conducta verticală de debit pe pompă, aceasta trebuie prinsă ușor de camera de deversare a pompei.

La conectarea conductelor de plastic, trebuie să se utilizeze un cuplaj manșon între pompă și prima secțiune a conductei.



În cazul pompelor montate cu conducte de plastic, trebuie să se ia în considerare dilatația conductelor atunci când sunt pline, în momentul determinării adâncimii de instalare a pompei.

Acolo unde sunt instalate conducte cu flanșă, flanșele trebuie canelate pentru a putea introduce cablul submersibil.

În figura 11 se arată o instalație de pompă cu următoarele indicații:

- poziția clemelor de cablu, pos. 1, și distanțe dintre cleme.
- montarea cablurilor de fixare, pos. 2.
- adâncimea maximă de instalare sub nivelul static al apei.

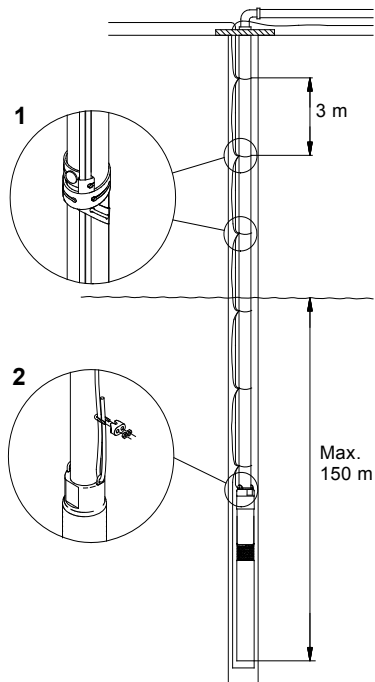


Fig. 11

6.8.1 Clemele de cablu

Clemele de cablu trebuie fixate din 3 în 3 metri, vezi fig. 11.

La conectarea conductelor de plastic, se lasă un joc pentru fiecare clemă deoarece conductele de plastic se dilată atunci când sunt pline.

În cazul în care se utilizează conducte cu flanșă, clemele de cablu trebuie montate deasupra și dedesubtul fiecărei îmbinări.

TM01 0480-4397

6.8.2 Adâncime de instalare

Adâncimea maximă de instalare sub nivelul static al apei: 150 metri, vezi fig. 11.

Adâncime minimă de instalare sub nivelul dinamic al apei:

- **Instalare verticală:**
În timpul punerii în funcțiune și al operării, pompa trebuie să fie complet scufundată în apă.
- **Instalare orizontală:**
Pompa trebuie instalată și trebuie să funcționeze al cel puțin 0,5 m sub nivelul dinamic al apei. Dacă există riscul ca pompa să fie acoperită cu noroi, pompa trebuie instalată într-o mantă de răcire.

6.8.3 Coborârea pompei în puț

Se recomandă asigurarea pompei cu un cablu de fixare fără sarcină, vezi fig. 11, pos. 2.

Se slăbește cablul de fixare astfel încât să fie liber de sarcină și se fixează de etanșarea puțului cu ajutorul dispozitivelor de blocare a cablurilor.



Cablul de fixare nu trebuie folosit pentru a trage pompa și conducta verticală de debit din puț.



Nu coborâți sau ridicați pompe cu ajutorul cablului motorului.

7. Pornire

Trebuie să se asigure ca alimentarea cu apă a puțului să corespundă cel puțin puterii de pompare a pompei.

Pompa poate fi pornită doar când este complet scufundată în lichid.

Se pornește pompa și se va opri doar atunci când lichidul de pompare este din nou clar, altfel componentele pompei și supapa de reținere se pot înfunda.

8. Funcționare

8.1 Debitul minim

Pentru a asigura o răcire suficientă a motorului, debitul minim nu trebuie setat niciodată sub 50 l/h. Dacă debitul scade brusc, cauza ar putea fi faptul că pompa livrează mai mult lichid decât cantitatea pe care o poate asigura puțul. Pompa trebuie pornită și defecțiunea remediată.



Protecția împotriva funcționării fără lichid a pompei funcționează doar în interiorul domeniului recomandat de funcționare a pompei.

8.2 Alegerea rezervorului cu diafragmă și setarea presiunii de presarcină și a presostatului

AVERTIZARE



Sistem presurizat

Deces sau accidentare gravă

- Instalația trebuie proiectată pentru o presiune maximă a pompei.

Deoarece pompa conține un dispozitiv încorporat de pornire ușoară, care are ca efect un timp de pornire al pompei de 2 sec., presiunea de la presostat și din rezervorul cu diafragmă scade după pornirea pompei și va fi mai mică decât presiunea de cuplare programată pe presostat (p_{cut-in}). Această presiune mai mică va fi denumită presiunea minimală (p_{min}).

p_{min} corespunde presiunii minimale necesare de la postul de alimentare plasat cel mai sus + înălțimea de pompare și pierderea datorită frecării în conducta tubulară dintre presostat și rezervorul cu diafragmă și postul de alimentare plasat cel mai sus ($p_{min} = B + C$), vezi fig. 12.

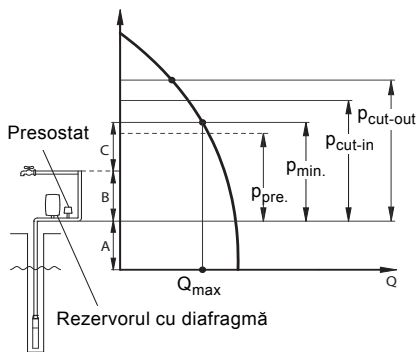


Fig. 12

- A: Înălțimea de pompare + pierderea datorită frecării în conducta tubulară dintre nivelul dinamic al apei și rezervorul cu diafragmă.
- B: Înălțimea de pompare + pierderea datorită frecării în conducta tubulară dintre rezervorul cu diafragmă și postul de alimentare plasat cel mai sus.
- C: Presiunea minimală la postul de alimentare plasat cel mai sus.



Trebuie verificat ca presiunea de pompare a pompei alese să depășească valoarea de $p_{cut-out} + A$.

- p_{pre} : Presiunea de presarcină a rezervorului cu diafragmă.
- p_{min} : Presiunea minimă dorită.
- p_{cut-in} : Presiunea de cuplare fixată pe presostat.
- $p_{cut-out}$: Presiunea de decuplare fixată pe presostat.
- Q_{max} : Debit maxim la p_{min} .

8.3 Suprapresiunea în sistemul puțului

Pentru a asigura protecția împotriva suprapresiunii, instalați o supapă de siguranță în aval de gura puțului. Valoarea de referință a supapei de siguranță trebuie să fie cu cel puțin 30 psi mai mare decât presiunea setată.

Dacă instalați o supapă de siguranță, vă recomandăm să o racordați la un punct de evacuare corespunzător.

Folosind p_{\min} și Q_{\max} , se pot calcula următoarele valori din tabelul de mai jos, mărimea rezervorului cu diafragmă, presiunea de presarcină și setările presostatului:

Exemplu:

$p_{\min} = 35$ m hidrostatic, $Q_{\max} = 2,5$ m³/h.

Pornind de la aceste informații pot fi extrase următoarele valori din tabel:

Mărimea minimă a rezervorului cu diafragmă = 33 litri.

$p_{\text{pre}} = 31,5$ m hidrostatic.

$p_{\text{cut-in}} = 36$ m hidrostatic.

$p_{\text{cut-out}} = 50$ m hidrostatic.

P_{\min} [m]	Q_{\max} [m ³ /h]																P_{pre} [m]	$P_{\text{cut-in}}$ [m]	$P_{\text{cut-out}}$ [m]		
	0,6	0,8	1	1,2	1,5	2	2,5	3	3,5	4	4,5	5	5,5	6	6,5	7				7,5	8
Mărimea rezervorului cu diafragmă [litri]																					
25	8	8	18	18	18	18	24	33	33	50	50	50	50	80	80	80	80	80	22,5	26	40
30	8	8	18	18	18	24	33	33	50	50	50	50	80	80	80	80	80		27	31	45
35	8	18	18	18	18	24	33	33	50	50	50	80	80	80	80	80			31,5	36	50
40	8	18	18	18	18	24	33	50	50	50	80	80	80	80	80				36	41	55
45	8	18	18	18	24	33	33	50	50	50	80	80	80	80					40,5	46	60
50	8	18	18	18	24	33	50	50	50	80	80	80	80						45	51	65
55	18	18	18	18	24	33	50	50	50	80	80	80							49,5	56	70
60	18	18	18	18	24	33	50	50	80	80	80	80							54	61	75
65	18	18	18	24	24	33	50	50	80	80	80	80							58,5	66	80

1 m hidrostatic = 0,098 bari

8.4 Protecție încorporată

Motorul conține o unitate electronică încorporată care protejează motorul în diferite situații.

În cazul suprasolicității, protecția încorporată împotriva suprasolicității va opri pompa pentru 5 min. După această perioadă pompa va încerca să pornească din nou.

În cazul în care pompa a fost oprită datorită funcționării pe uscat, va porni automat din nou după 5 minute.

Dacă pompa este repornită și puțul este gol, pompa se va opri după 30 de secunde.

Readucerea pompei la poziția inițială: se decuplează energia electrică pentru 1 minut.

Motorul este protejat în următoarele cazuri:

- Funcționare fără lichid
- Supratensiune de impulsuri (până la 6000 V)
În zonele în care se înregistrează numeroase fulgere, este necesară protecția suplimentară împotriva fulgerelor.
- Supratensiune
- Subtensiune
- Suprasolicitare și
- Temperatură prea mare.

Pompe SQE/motoare MSE 3:



La MSE 3 motoare trebuie programată o valoare minimă a consumului de putere, adică o limită de oprire în cazul funcționării fără lichid, cu ajutorul dispozitivului CU 300 sau CU 301.

9. Întreținere și reparații

În mod normal pompele nu trebuie întreținute.

Pot exista depuneri și uzări. Garnituri și unelte pentru service pot fi livrate de către Grundfos. Manualul Grundfos Service poate fi obținut la cerere.

Pompele pot fi reparate într-un punct de service Grundfos.

9.1 Pompe contaminate



În cazul în care pompa a fost folosită pentru pomparea unui lichid dăunător sănătății sau otrăvitor, pompa va fi clasificată ca fiind contaminată.

Dacă Grundfos este solicitată să repare pompa, trebuie să specifice detaliile cu privire la lichidul pompat etc. înainte ca pompa să fie înapoiată pentru reparații. Altfel Grundfos poate refuza preluarea pompei.

Totuși, orice cerere de reparații (indiferent cui îi este adresată) trebuie să cuprindă detaliile cu privire la lichidul pompat, dacă pompa a fost folosită pentru lichide care reprezintă un risc pentru sănătate sau sunt toxice.

SQE-NE: Pompe ce nu au pompat lichid contaminat, adică pompe care nu conțin lichide periculoase și/ sau toxice, pot fi înapoiate pentru întreținere lui Grundfos.

Pentru a preveni accidentele în care ar putea fi implicate persoanele care execută lucrările de reparații cât și poluarea mediului, este necesară prezentarea unui document care să ateste faptul că pompa este curată.

Grundfos trebuie să primească aceste certificate. Altfel, Grundfos va refuza executarea lucrărilor de reparație ale produsului.

Eventualele cheltuieli de livrare intră în atribuțiile expeditorului.

10. Tabel de identificare a defecțiunilor

ATENȚIE

Electrocutare

Accidentare ușoară sau moderată



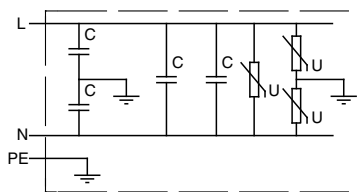
- Înaintea începerii oricăror lucrări la pompă sau la motor trebuie neapărat decuplată legătura electrică. Trebuie luate măsurile corespunzătoare ca aceasta să nu poată fi întâmplător recuplată.

Defecțiune	Cauză	Remediu
1. Pompa nu funcționează.	a) S-au ars siguranțele din instalația electrică.	Se schimbă siguranțele arse. În cazul în care acestea se ard din nou, trebuie verificată instalația electrică și cablul.
	b) ELCB sau ELCB acționat de curent s-au decuplat.	Se cuplează întrerupătorul de circuit.
	c) Nu există alimentare cu curent.	Se contactează întreprinderea care asigură alimentarea cu energie electrică.
	d) Protecția motorului a decuplat alimentarea cu energie din cauza suprasolicitării.	Se verifică dacă motorul/pompa sunt blocate.
	e) Pompa/cablul submersibil sunt defecte.	Se repară/înlocuiește pompa/cablul.
	f) Supratensiune sau subtensiune.	Se verifică alimentarea cu energie electrică.
2. Pompa funcționează, dar nu pompează apă.	a) Supapa de refulare este închisă.	Se deschide valva.
	b) Nu există apă sau nivel scăzut al apei în puț.	Vezi paragraful 3 a).
	c) Supapa de reținere este închisă.	Se scoate pompa și se curăță sau se înlocuiește valva.
	d) Filtrul de aspirație este blocat.	Se scoate pompa și se curăță filtrul.
	e) Pompa este defectă.	Se repară/înlocuiește pompa.
3. Pompa funcționează la capacitate redusă.	a) Scufundarea este mai mare decât s-a prevăzut.	Se mărește adâncimea de instalare a pompei, se strângulează pompa sau se înlocuiește cu un model mai mic pentru a obține o capacitate redusă.
	b) Valva de pe conducta de refulare este parțial închisă/blocată.	Se verifică și se curăță/înlocuiesc valvele, dacă este necesar.
	c) Conducta de refulare este parțial blocată de impurități.	Se curăță/înlocuiește conducta de refulare.
	d) Supapa de reținere a pompei este parțial blocată.	Se scoate pompa și se verifică/înlocuiește supapa.
	e) Pompa și conducta verticală de debit este parțial blocată de impurități.	Se scoate pompa. Se verifică și se curăță sau se înlocuiește pompa, dacă este necesar. Se curăță conductele.
	f) Pompa este defectă.	Se repară/înlocuiește pompa.
	g) Scurgeri pe instalația de conducte.	Se verifică și se repară instalația de conducte.
	h) Conducta verticală de debit este defectă.	Se înlocuiește conducta verticală de debit.
	i) Subtensiune.	Se verifică alimentarea cu energie.

Defecțiune	Cauză	Remediu
4. Porniri și opriri dese.	a) Diferența presostatului între presiunea inițială și cea finală este prea mică.	Se mărește diferența. Totuși presiunea finală nu are voie să fie mai mare decât presiunea de funcționare a rezervorului de presiune, iar presiunea inițială trebuie să fie într-atât de mare încât să asigure o alimentare corespunzătoare cu apă.
	b) Electrozii pentru nivelul de apă și comutatoarele de nivel nu au fost instalați corect.	Se programează intervalele electrozilor/comutatoarelor de nivel astfel încât între cuplarea și decuplarea pompei să existe un timp corespunzător. Trebuie urmărite instrucțiunile de instalare și utilizare ale dispozitivelor automate folosite. În cazul în care intervalele dintre pornire și oprire nu pot fi programate cu dispozitivele automate, se reduce puterea de funcționare a pompei prin ștrangularea supapei de refulare.
	c) Supapa de reținere curge sau s-a blocat în poziție pe jumătate deschisă.	Se scoate pompa și se curăță/inlocuiește supapa de reținere.
	d) Tensiunea de alimentare este instabilă.	Se verifică alimentarea cu energie.
	e) Temperatura motorului este prea mare.	Se verifică temperatura apei.

10.1 Masurarea rezistenței de izolație

Nu este permisă măsurarea rezistenței de izolație a unei instalații care include pompe SQ/SQE, deoarece componentele electronice ar putea fi deteriorate, vezi fig. 13.



TM02.0689 5000

Fig. 13

11. Verificarea alimentării cu energie electrică

AVERTIZARE

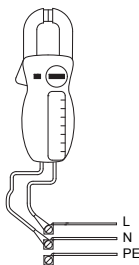
Electrocutare

Deces sau accidentare gravă



- Înaintea începerii oricăror lucrări la pompă sau la motor trebuie neapărat decuplată legătura electrică. Trebuie luate măsurile corespunzătoare ca aceasta să nu poată fi întâmplător recuplată.

1. Tensiune de alimentare



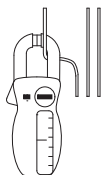
TM00 1371 4904

Se măsoară tensiunea (RMS) între fază și conductorul neutru. Se conectează voltmetru la borne în punctul de racordare.

Atunci când motorul este solicitat, tensiunea ar trebui să se încadreze în gama specificată în secțiunea 5. **Conexiuni electrice**.

Variațiile mari ale tensiunii de alimentare indică o alimentare necorespunzătoare, iar în aceste condiții pompa trebuie oprită până la remedierea defecțiunii.

2. Consumul de curent



TM00 1372 5082

Se măsoară intensitatea curentului (RMS), în timp ce pompa funcționează la o presiune constantă de refulare (dacă este posibil și la nivelul de pompare la care motorul are sarcină maximă).
Curentul maxim, vezi tăblița indicatoare.

Dacă tensiunea depășește tensiunea de sarcină maximă, există mai multe cauze posibile:

- Conectare slabă între conductori, posibil la punctele de îmbinare a cablurilor.
- Tensiune de alimentare prea scăzută, vezi paragraful 1.

12. Mediu

În timpul montării, funcționării, depozitării și transportării trebuie respectate toate regulamentele cu privire la folosirea materialelor periculoase.

AVERTIZARE

Substanță corosivă

Deces sau accidentare gravă



- La scoaterea din uz a pompei trebuie să se asigure faptul că în pompă/motor și în conducta verticală de debit nu mai există materiale periculoase, care ar putea constitui un pericol pentru persoane sau mediu.

Dacă aveți nelămuriri, contactați Grundfos sau organele locale abilitate.

13. Scoaterea din uz

Acest produs sau părți din acest produs trebuie să fie scoase din uz, protejând mediul, în felul următor:

1. Contactați societățile locale publice sau private de colectare a deșeurilor.
2. În cazul în care nu există o astfel de societate, sau se refuză primirea materialelor folosite în produs, produsul sau eventualele materiale dăunătoare mediului înconjurător pot fi livrate la cea mai apropiată societate sau la cel mai apropiat punct de service Grundfos.

Ne rezervăm dreptul de a modifica aceste date.

Перевод оригинального документа на английском языке

СОДЕРЖАНИЕ

	Стр.
1. Значение символов и надписей в документе	290
2. Общие сведения	291
2.1 Область применения	291
3. Технические данные	292
3.1 Хранение	292
3.2 Уровень шума	292
4. Подготовка к монтажу насоса	292
4.1 Доливка жидкости в электродвигатель	292
4.2 Требования к монтажному положению насоса	293
4.3 Температура рабочей жидкости или охлаждающей жидкости электродвигателя	293
5. Подключение электрооборудования	294
5.1 Общие сведения	294
5.2 Встроенная защита электродвигателя	294
5.3 Подключение электродвигателя	294
6. Монтаж	295
6.1 Общие сведения	295
6.2 Присоединение насоса к электродвигателю	295
6.3 Демонтаж обратного клапана	295
6.4 Подключение кабельного штекера к электродвигателю	296
6.5 Монтаж защитной планки кабеля	296
6.6 Выбор кабеля	297
6.7 Подключение кабеля	298
6.8 Соединение с трубопроводом	298
7. Ввод в эксплуатацию	299
8. Эксплуатация	299
8.1 Минимальное значение расхода	299
8.2 Выбор диафрагменного напорного гидробака, регулирование давления подпора и реле давления	299
8.4 Встроенная система защиты электродвигателя	301
9. Уход и техническое обслуживание	301
9.1 Загрязненные насосы	301
9.2 Запасные узлы и принадлежности	301
10. Таблица обнаружения и устранения неисправностей	302
10.1 Измерение сопротивления изоляции	304
11. Проверка электропитания	304
12. Требования экологии	305
13. Утилизация отходов	305
14. Гарантии изготовителя	305



Перед началом монтажа прочтите настоящий документ. Монтаж и эксплуатация должны осуществляться в соответствии с местным законодательством и принятыми нормами и правилами.

Данное изделие может использоваться детьми в возрасте от 8 лет и лицами с ограниченными физическими, сенсорными и умственными способностями или недостаточным опытом работы с изделием и знаниями о нем при условии, что такие лица находятся под присмотром или были проинструктированы на предмет безопасного использования изделия и осознают риски, связанные с ним.

Детям запрещено играть с данным изделием. Запрещается чистка и техническое обслуживание изделия детьми без присмотра.



1. Значение символов и надписей в документе

ОПАСНО



Обозначает опасную ситуацию, которая в случае невозможности её предотвращения приведёт к смерти или получению серьёзной травмы.

ПРЕДУПРЕЖДЕНИЕ



Обозначает опасную ситуацию, которая в случае невозможности её предотвращения может привести к смерти или получению серьёзной травмы.

ВНИМАНИЕ



Обозначает опасную ситуацию, которая в случае невозможности её предотвращения может привести к получению травмы лёгкой или средней степени тяжести.

Текстовое описание, идущее вместе с тремя символами «ОПАСНО», «ПРЕДУПРЕЖДЕНИЕ» и «ВНИМАНИЕ», располагается следующим образом:

СИГНАЛЬНОЕ СЛОВО



Описание угрозы

Последствия игнорирования предупреждения.
- Действия по предотвращению угрозы.



Синий или серый круг с белым графическим символом означает, что необходимо предпринять меры для предотвращения опасности.



Красный или серый круг с диагональной чертой, возможно с чёрным графическим символом, указывает на то, что никаких мер предпринимать не нужно или их выполнение необходимо остановить.



Несоблюдение настоящих инструкций может вызвать отказ или повреждение оборудования.



Советы и рекомендации по облегчению выполнения работ.

2. Общие сведения

ПРЕДУПРЕЖДЕНИЕ



Поражение электрическим током

Смерть или серьёзная травма
- Нельзя использовать насос, если в воде люди.

На странице 412 данного руководства по монтажу и эксплуатации вы найдете копию фирменной таблички насоса и электродвигателя.

Перед тем, как опустить насос SQ/SQE в скважину/колодец, данная страница должна быть заполнена данными, указанными на фирменных табличках насоса и электродвигателя.

Данное руководство по монтажу и эксплуатации должно храниться в сухом месте рядом с местом монтажа и эксплуатации и служить справочным пособием.

2.1 Область применения

Насосы серии **SQ** и **SQE** предназначены для перекачивания чистых, взрывобезопасных жидкостей, не содержащих твердых частиц или волокон.

Обычно эти насосы применяются:

- для подачи грунтовой воды в системы водоснабжения
 - для частных домов
 - для небольших водопроводных станций
 - для ирригационных систем, например, для теплиц.
- для перекачивания воды в резервуары.
- в системах повышения давления.

Насосы серии **SQE-NE** предназначены для перекачивания чистых, невзрывоопасных жидкостей, не содержащих твердых частиц или волокон.

Эти насосы могут использоваться для перекачивания загрязненной или грунтовой воды, содержащей гидрокарбонат, например:

- с мусорных свалок
- со свалок химических отходов
- в промышленности
- на топливо- и маслозаправочных станциях
- в области экологии.

Насосы серии **SQE-NE** могут также применяться для отбора проб воды и контроля за состоянием скважин/колодцев, а также могут встраиваться, в определенных пределах, в системы водоподготовки.

Относится ко всем типам насосов:

Максимальное содержание в воде песка не может превышать 50 г/м³. Более высокое содержание уменьшает срок эксплуатации, и повышает опасность блокирования насоса.



При использовании насоса для подачи жидкостей, вязкость которых выше плотности воды, просим вас связаться с фирмой Grundfos.

Значения pH

Для SQ и SQE: от 5 до 9.

Для SQE-NE: Просим вас связаться с фирмой Grundfos.

Температура рабочей жидкости:

Макс. температура рабочей жидкости не должна превышать 35 °C.

3. Технические данные

Напряжение питания:

1 x 200-240 В - 10 %/+ 6 %, 50/60 Гц, РЕ (заспичное заземление).

Эксплуатация от генератора: Мощность генератора должна равняться как минимум мощности двигателя P_1 [кВт] + 10 %.

Пусковой ток:

Пусковой ток двигателя соответствует максимальному значению, приведенному в табличке на двигателе.

Коэффициент мощности:

PF = 1.

Жидкость в двигателе:

Типа SML 2.

Кабель двигателя:

1,5 м, 3 x 1,5 мм² с заземлением.

Температура жидкости:

Макс. 35 °С.

Присоединение трубопровода:

SQ 1, SQ 2, SQ 3: Rp 1 1/4.

SQ 5, SQ 7: Rp 1 1/2.

Диаметр насоса:

74 мм.

Диаметр скважины:

Мин. 76 мм.

Глубина погружения:

Макс. 150 м ниже уровня воды. Смотрите также раздел [6.8.2 Глубина погружения](#).

Масса нетто:

Макс. 6,5 кг.

3.1 Хранение

Температура хранения: насоса - от -20 °С до +60 °С.

3.1.1 Защита от воздействия отрицательных температур

Если насос после его эксплуатации помещается на хранение, то для этой цели необходимо выбрать место, где температура окружающего воздуха не будет понижаться до минусовых значений, или необходимо убедиться в том, что жидкость, залитая в электродвигатель, морозостойчива.

Электродвигатель должен храниться вместе с залитой в него жидкостью.

3.2 Уровень шума

Уровень шума насосов ниже допустимых значений согласно норм для данных типов насосов.

4. Подготовка к монтажу насоса

Насосы оснащены погружными электродвигателями MS 3 и MSE 3 фирмы Grundfos, которые оборудованы подшипниками скольжения с жидкостной смазкой.

Погружные электродвигатели на заводе-изготовителе заполняются специальной жидкостью (типа SML 2), точка замерзания которой лежит ниже -20 °С, предотвращающей к тому же рост бактерий.

Уровень жидкости в электродвигателе решающим образом влияет на срок службы подшипников и самого электродвигателя.

4.1 Доливка жидкости в электродвигатель

Если по какой-либо причине моторная жидкость вытекла или высохла, электродвигатель должен быть наполнен моторной жидкостью Grundfos SML 2.

Следует обязательно контролировать уровень жидкости и производить ее долив после разборки насоса в случае ремонта или техобслуживания. Для новых насосов данная операция не обязательна, за исключением случаев, когда насос в течение длительного времени (более 10 месяцев) хранился на складе, в результате чего уровень жидкости в двигателе мог понизиться.

Для доливки в электродвигатель рекомендуется использовать смазочно-охлаждающую жидкость SML 2 фирмы Grundfos.

Чтобы залить в электродвигатель жидкость, необходимо:

1. Демонтировать защитную планку кабеля и разъединить насос и электродвигатель.

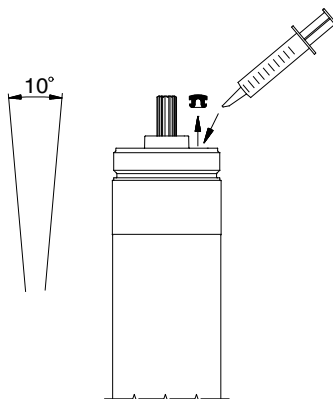


Рис. 1

- Установить электродвигатель в вертикальном положении с наклоном примерно 10 °.
- С помощью отвертки демонтировать резьбовую пробку заливочного отверстия.
- С помощью заливочного шприца или аналогичного инструмента залить в электродвигатель жидкость.
- Покачать электродвигатель из стороны в сторону, чтобы дать возможность воздуху, скопившемуся в нем, выйти в атмосферу.
- Установить на место резьбовую пробку заливочного отверстия и с усилием затянуть ее.
- Собрать насос с электродвигателем.
- Вновь установить на место защитную планку кабеля.

Теперь насос готов к монтажу.

4.2 Требования к монтажному положению насоса

Насос может устанавливаться в вертикальном или в горизонтальном положении. Однако насос не должен располагаться так, чтобы его вал был ниже горизонтальной плоскости, смотри рис. 2.

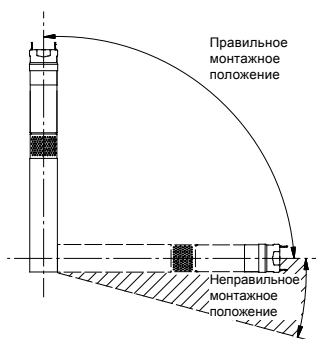


Рис. 2

Если насос устанавливается горизонтально, например в резервуаре, рекомендуется применять насос со всасывающей полостью, расположенной в кожухе. Глубину погружения насоса смотри в разделе 6.8.2 *Глубина погружения*.

4.3 Температура рабочей жидкости или охлаждающей жидкости электродвигателя

На рис. 3 показан насос SQ/SQE, установленный в скважине/ колодце.

На этом рисунке указаны:

- диаметр скважины/колодца
- диаметр насоса
- температура рабочей жидкости
- направление потока, обтекающего электродвигатель на пути к всасывающему сетчатому фильтру насоса.

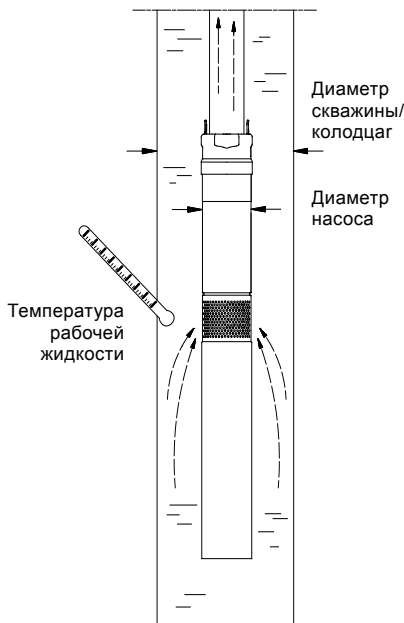


Рис. 3

Чтобы гарантировать достаточное охлаждение двигателя, важно следить за максимальной температурой жидкости 35 °С при всех условиях.



Минимальный диаметр скважины равен 76 мм (около 3").

Положение электродвигателя при монтаже должно быть всегда выше скважинного фильтра. Если используется насос со всасывающей полостью, расположенной в кожухе, то положение насоса в скважине/колодце может быть произвольным.



Насос может работать не более 5 минут при закрытой напорной линии. Если напорная линия закрыта, то отсутствует охлаждающий поток и возникает опасность перегрева двигателя и насоса.

Если фактическая температура рабочей жидкости превышает допустимое значение или условия эксплуатации выходят за те пределы, которые установлены техническими требованиями, может произойти отключение насоса. Просьба связаться с фирмой Grundfos.

TM01 0518 1297

TM01 1375 4397

5. Подключение электрооборудования

5.1 Общие сведения

Подключение электрооборудования должно выполняться специалистом в соответствии с предписаниями местного электроснабжающего предприятия.

ПРЕДУПРЕЖДЕНИЕ

Поражение электрическим током

Смерть или серьезная травма

- Перед началом проведения работ на насосе убедитесь в том, что электропитание отключено и приняты все меры, чтобы исключить его случайное включение.
- Насос должен быть заземлен.
- Заказчик должен обеспечить установку сетевого предохранителя и внешнего сетевого выключателя в линии электропитания насоса. При отключении всех полюсов воздушный зазор между контактами выключателя должен быть не менее 3 мм (для каждого полюса).
- Если кабель электродвигателя поврежден, то в целях безопасности его замена должна осуществляться компанией Grundfos, авторизованной сервисной мастерской Grundfos или другими квалифицированными специалистами.



Данные о напряжении питания, максимальном токе и cos φ (PF) должны браться из фирменной таблички с техническими данными электродвигателя.

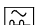
Требуемый для скважинных электродвигателей фирмы Grundfos диапазон отклонений напряжения сети, замеренного на зажимах электродвигателя, должен составлять - 10 %/+ 6 % от номинального значения напряжения во время непрерывной эксплуатации (включая колебания напряжения в сети электропитания и потери в кабелях).

ПРЕДУПРЕЖДЕНИЕ

Поражение электрическим током

Смерть или серьезная травма

- Если насос подключен к электросети, где в качестве дополнительной защиты применяется реле защиты от аварийного тока, то применяемый тип реле **должен** срабатывать как при возникновении аварийного переменного тока, так и при пульсации постоянного тока.

Такой тип реле защиты **должен** иметь маркировку в виде следующего символа: .

Напряжение питания:

1 x 200-240 В - 10 %/+ 6 %, 50-60 Гц, PE (защитное заземление).

Потребляемый ток может замеряться только с помощью контрольно-измерительных приборов, регистрирующих действующее или эффективное значение тока. В случае применения любых других контрольно-измерительных приборов замеренные значения будут отличаться от фактических.

Ток утечки насосов SQ/SQE составляет 2,5 мА при 230 В, 50 Гц, и может быть измерен стандартным способом. Ток утечки пропорционален напряжению питания.

Насосы типа SQE и SQE-NE могут подключаться к блоку управления типа CU 300 или CU 301.

Ни в коем случае не подключать насос к сети через конденсатор или другой шкаф управления вместо CU 300 или CU 301.



Ни в коем случае не подключать насос к внешнему преобразователю частоты.

5.2 Встроенная защита электродвигателя

Двигатель обладает встроенным тепловым реле, и поэтому не нуждается в дополнительной защите.

5.3 Подключение электродвигателя

Электродвигатель имеет встроенный пускатель, и поэтому может подключаться непосредственно к сети электропитания через выключатель.

Пуск и остановка электродвигателя насоса обычно выполняется с помощью реле давления, смотри схему на рис. 4.



Реле давления должно быть подобрано по макс. значению тока соответствующего типа насоса.

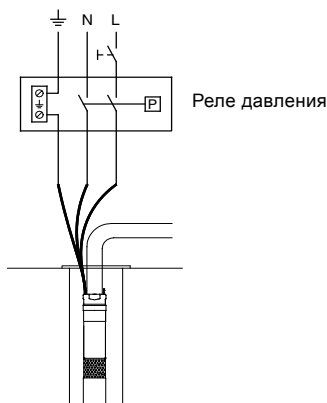


Рис. 4

6. Монтаж

6.1 Общие сведения

ПРЕДУПРЕЖДЕНИЕ

Поражение электрическим током
Смерть или серьезная травма



- Перед началом проведения любых работ, убедитесь в том, что электропитание отключено и приняты все меры, чтобы исключить его случайное включение.



Ни в коем случае не опускать и не поднимать насос за кабель электродвигателя.

Поставляемая отдельно от насоса табличка с техническими данными насоса должна фиксироваться в непосредственной близости от места монтажа насоса.

6.2 Присоединение насоса к электродвигателю

Для сборки насоса с электродвигателем необходимо выполнить следующие операции:

1. Установить электродвигатель в тисках в горизонтальном положении и зажать его, смотри рис. 6.
2. Выдвинете вал насоса в позицию, показанную на рис. 5.

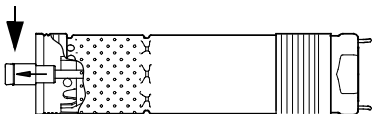


Рис. 5

3. Смазать конец вала электродвигателя консистентной смазкой, входящей в комплект поставки электродвигателя.
4. Привернуть собственно насос к электродвигателю 55 (Нм).

Внимание: Вал насоса должен войти в зацепление с валом электродвигателя. Для этого можно использовать лыски на поверхности насоса, специально предназначенные для захватывания его в этом месте гаечным ключом, смотри рис. 6.

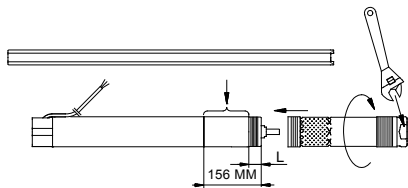


Рис. 6

Электродвигатель (P2) [кВт]	L [мм]
0,70	120
1,15	102
1,68	66
1,85	66

Если насос и электродвигатель собраны правильно, между ними не должно быть зазора.

6.3 Демонтаж обратного клапана

В случае необходимости обратный клапан может демонтироваться следующим образом:

1. С помощью клещей или аналогичного инструмента удалите ножки клапана, как указано на рис. 7.
2. Поверните насос так, чтобы головка клапана оказалась внизу.
3. Проверьте, все ли незакрепленные части клапана извлечены из насоса.

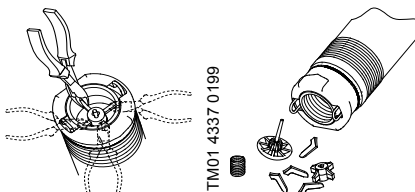


Рис. 7



Насосы SQE-NE поставляются без обратного клапана.

Обратный клапан можно устанавливать в сервисном центре Grundfos.

6.4 Подключение кабельного штекера к электродвигателю

ПРЕДУПРЕЖДЕНИЕ

Поражение электрическим током
Смерть или серьезная травма



- Пользователь ни в коем случае не должен удалять вилку электродвигателя.
- Кабель и штекер должны устанавливаться и демонтироваться техниками компании Grundfos или специалистами имеющими соответствующую квалификацию.

Приведенное ниже описание предназначено исключительно для сервисного персонала. В случае необходимости замены кабеля электродвигателя см. Раздел [5.1 Общие сведения](#).

Кабельный штекер, входящий в комплект поставки электродвигателя, снабжен на заводе соответствующей смазкой и потому дополнительной смазки не требует.

Для подключения кабельного штекера к электродвигателю необходимо выполнить следующие операции:

1. Проверить соответствие типа, поперечного сечения и длины кабеля требуемым значениям.
2. Проверить надлежащее заземление питающей электросети в месте установки электродвигателя.
3. Проверить гнездо штекерного разъема электродвигателя: оно должно быть сухим и чистым.
Удостоверьтесь, что установлен сальник.
4. Вставьте штекер в разъем электродвигателя. Штекер имеет позиционирующие элементы и потому не может быть подключен неправильно, смотри рис. 8.

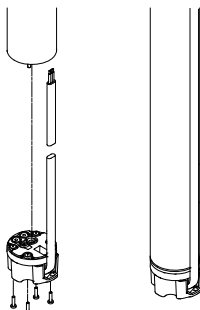


Рис. 8

TM02 9605 3504

5. Установите и затяните четыре винта (1 - 1,5 Нм), смотри рис. 8.

Если кабельный штекер подключен к электродвигателю правильно, между ними не должно быть зазора.

6.5 Монтаж защитной планки кабеля

Для монтажа защитной планки кабеля необходимо выполнить следующие операции:

1. Убедиться в том, что кабель в водонепроницаемой оболочке ровно уложен в защитной планке.
2. Установите манжету кабеля в желобок штекера. Две лапки защитной планки кабеля должны войти в зацепление с верхней кромкой гильзы насоса, смотри рис. 9.

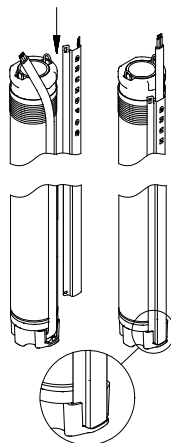


Рис. 9

3. Приверните защитную планку кабеля к входному фильтру двумя винтами, входящими в комплект поставки, смотри рис. 10.

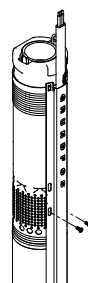


Рис. 10

TM02 9613 3504

TM01 4427 0299

6.6 Выбор кабеля

Фирма Grundfos поставляет погружные электрокабели для всех случаев монтажа электрооборудования.



Поперечное сечения погружного кабеля должно быть достаточным для того, чтобы соответствовать параметрам напряжения, указанным в разделе [5.1 Общие сведения](#).

Табличные значения, приведенные ниже, получены расчетным путем по следующей формуле

$$q = \frac{I \times 2 \times 100 \times PF \times L \times \rho}{U \times \Delta U}$$

q = поперечное сечение погружного кабеля [мм²].

I = максимально допустимый ток электродвигателя [A].

PF = 1,0.

L = длина погружной кабеля [м].

ρ = удельное сопротивление: 0,02 [Ωмм²/м].

U = номинальное напряжение [В].

ΔU = падение напряжения [%] = 4 %.

Значение падения напряжения 4 % соответствует требованиям IEC 3-64, HD-384 Series.

В результате расчета были получены следующие значения максимальной длины кабеля при значении напряжения электропитания 240 В:

Максимальная длина кабеля [м]

Электро-двигатель (P2) [kW]	I_N [A]	Размер кабеля					
		1,5 мм ²	2,1 мм ² / 14 AWG	2,5 мм ²	3,3 мм ² / 12 AWG	4 мм ²	6 мм ²
0,7	5,2	80	112	133	176	213	320
1,15	8,4	50	69	83	109	132	198
1,68	11,2	37	52	62	82	99	149
1,85	12	35	49	58	76	92	139

6.7 Подключение кабеля

Рекомендуется соединять погружной кабель и кабель электродвигателя при помощи кабельного соединения типа КМ фирмы Grundfos.

Кабельное соединение типа КМ	
Поперечное сечение жил кабеля	Номер изделия
1,5 - 6,0 мм ²	96021473

В случае необходимости иметь кабель с большим значением поперечного сечения просьба связаться с фирмой Grundfos.

6.8 Соединение с трубопроводом

Если при соединении со стояком требуется применение монтажных инструментов, насос может зажиматься или захватываться только за поверхность корпуса нагнетания насоса.

Если насос соединяется с трубой из полимерного материала, тогда необходимо применять обжимную муфту.



Для насосов, соединяемых с полимерными трубами, необходимо при определении монтажной глубины насоса учитывать возникновение линейного удлинения полимерной трубы в результате действия нагрузки.

Если применяются трубы с фланцевым креплением, во фланцах необходимо проделать пазы для размещения погружного кабеля и трубки указателя уровня воды, если она имеется.

На рис. 11 показана установка насоса с данными по:

- Расположению хомутов, поз. 1, и интервалу между ними.
- Монтажу стального троса, поз. 2.
- Макс. глубине погружения относительно уровня воды.

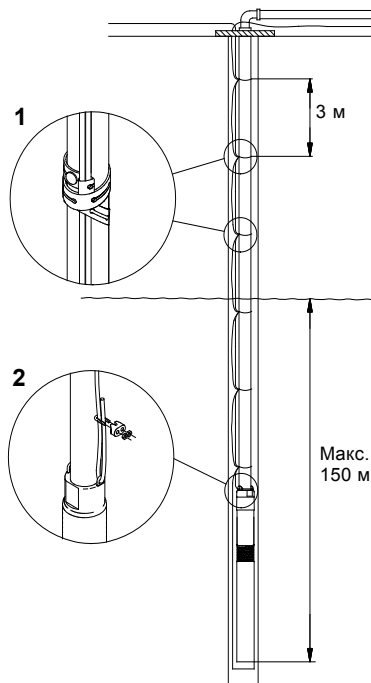


Рис. 11

6.8.1 Крепление кабеля

Хомуты для зажима кабеля должны устанавливаться через каждые 3 метра, смотри рис. 11.

Если применяются полимерные трубы, то при фиксации погружного кабеля необходимо оставить зазор между ним и хомутами, поскольку в процессе эксплуатации в результате действия нагрузки будет возникать линейная деформация полимерной трубы.

Если применяются трубы с фланцами, то хомуты для крепления кабеля должны располагаться над каждым таким соединением и под ним.

6.8.2 Глубина погружения

Максимальная глубина погружения относительно уровня воды: 150 м, смотри рис. 11.

Минимальная глубина погружения относительно динамического уровня:

- **Вертикальная установка:**
Во время ввода в эксплуатацию и работы насос должен быть полностью погружен в воду.
- **Горизонтальная установка:**
Насос должен располагаться и работать на уровне 0,5 м ниже динамического уровня воды.
Если есть опасность загрязнения, тогда насос должен быть помещен в защитный кожух.

6.8.3 Спуск насоса в колодезь

Рекомендуется, страховать насос с помощью стального троса, смотри рис. 11, поз. 2.

Стальной трос должен быть ослаблен настолько, чтобы он был не нагружен. Далее он должен быть закреплен с помощью зажимов в верхней части скважины.



Не использовать провод электропитания для того, чтобы вытаскивать насос из скважины.



Нельзя поднимать или опускать насос при помощи силового кабеля.

7. Ввод в эксплуатацию

Убедитесь, дебит скважины соответствует производительности насоса.

Насос может быть включен, если только полностью находится в воде.

Включите насос и выключайте только тогда, когда вода на выходе станет совершенно чистой. Раннее выключение насоса может явится причиной засорения его частей или обратного клапана.

8. Эксплуатация

8.1 Минимальное значение расхода

Чтобы обеспечить достаточное охлаждение электродвигателя, расход насоса никогда не должен падать ниже 50 л/ч.

При определенных условиях может произойти внезапное падение подачи насоса, причина которого может заключаться в том, что производительность насоса превышает дебит скважины/колодца. Необходимо остановить насос и устранить причину неисправности.



Защита насоса от сухого хода работает только в пределах рекомендуемой области эксплуатации.

8.2 Выбор диафрагменного напорного гидробака, регулирование давления подпора и реле давления

ПРЕДУПРЕЖДЕНИЕ



Система под давлением

Смерть или серьезная травма

- Система должна рассчитываться на максимальный напор насоса.

Так как насос обладает системой плавного пуска, и время разгона составляет 2 сек., поэтому давление на входе реле давления и в диафрагменном баке после включения насоса ниже, чем установленное значение срабатывания реле ($P_{вкл}$). Это наименьшее давление называется минимальным давлением ($P_{мин}$).

Значение $P_{мин}$ соответствует минимальному необходимому давлению в высшей точке водоразбора + напор и потери в трубопроводе между реле или напорным гидробаком и высшей точкой водоразбора ($P_{мин} = B + C$), смотри рис. 12.

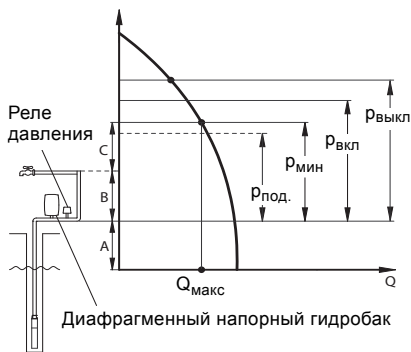


Рис. 12

- A: Напор + потеря напора на участке от динамического уровня воды до диафрагменного напорного гидробака.
- B: Напор + потеря напора на участке от диафрагменного напорного гидробака до высшей точки водозабора.
- C: Минимальное давление в высшей точке водозабора.



Проверьте, обеспечивает ли выбранный насос давление $P_{выкл} + A$.

- $P_{подпора}$: Давление подпора гидробака.
- $P_{мин}$: Необходимое минимальное давление.
- $P_{вкл}$: Установленное давление срабатывания реле на включение.
- $P_{выкл}$: Установленное давление прабатывания реле на выключение.
- $Q_{макс}$: Максимальная подача насоса при $P_{мин}$.

ТМ00 6445 3795

8.3 Перегрузка по давлению в системе скважин

Для обеспечения защиты от избыточного давления установите клапан сброса давления за устьем скважины. Уставка срабатывания клапана сброса давления должна составлять как минимум 30 фунтов/кв. дюйм выше заданного давления.

В случае установки клапана сброса рекомендуется подключить его к соответствующей точке дренажа.

Минимальная емкость напорного гидробака, давления подпора и значений срабатывания реле давления могут выбираться в зависимости от от $P_{мин}$ и $Q_{макс}$ в приведенной ниже таблице.

Например:

$P_{мин} = 35$ м.вод.ст., $Q_{макс} = 2,5$ м³/ч.
По этим данным определяем по таблице следующие значения:

Минимальная емкость напорного гидробака = 33 л.

$P_{подпора} = 31,5$ м.вод.ст.

$P_{вкл} = 36$ м.вод.ст.

$P_{выкл} = 50$ м.вод.ст.

$P_{мин}$ [М]	$Q_{макс}$ [м ³ /ч]																$P_{под}$ [М]	$P_{вкл}$ [М]	$P_{выкл}$ [М]		
	0,6	0,8	1	1,2	1,5	2	2,5	3	3,5	4	4,5	5	5,5	6	6,5	7				7,5	8
Емкость диафрагменного напорного гидробака [л]																					
25	8	8	18	18	18	18	24	33	33	50	50	50	50	80	80	80	80	80	22,5	26	40
30	8	8	18	18	18	24	33	33	50	50	50	50	80	80	80	80	80		27	31	45
35	8	18	18	18	18	24	33	33	50	50	50	80	80	80	80	80			31,5	36	50
40	8	18	18	18	18	24	33	50	50	50	80	80	80	80	80				36	41	55
45	8	18	18	18	24	33	33	50	50	50	80	80	80	80					40,5	46	60
50	8	18	18	18	24	33	50	50	50	80	80	80	80						45	51	65
55	18	18	18	18	24	33	50	50	50	80	80	80							49,5	56	70
60	18	18	18	18	24	33	50	50	80	80	80	80							54	61	75
65	18	18	18	24	24	33	50	50	80	80	80	80							58,5	66	80

1 м.вод.ст. = 0,098 бар.

8.4 Встроенная система защиты электродвигателя

Электродвигатель имеет встроенный электронный блок защиты, предохраняющий его в различных ситуациях.

В случае возникновения перегрузки встроенная защита будет останавливать насос на 5 минут. По истечении этого периода времени системой управления будет выполнена попытка повторного запуска насоса.

Если насос был отключен из-за сухого хода, повторное включение произойдет автоматически через 5 мин.

Если насос возобновит работу и скважина будет пуста, то насос через 30 сек. остановится.

Сброс системы управления насосом в исходное положение: отключить на 1 минуту электропитание.

Защита насоса обеспечивается в случае возникновения следующих неисправностей:

- Сухого хода
- действия импульсов перенапряжения (6000 В), В районах с высокой солнечной интенсивностью требуется внешняя защита от солнечных лучей.
- падения напряжения
- перенапряжения
- перегрузки и
- перегрева.

SQE насосы с MSE 3:



Посредством шкафа управления CU 300 или CU 301 предел остановки по сухому ходу может варьироваться.

9. Уход и техническое обслуживание

Насосы как правило не требуют технического обслуживания.

Возможны образование отложений и износ узлов и деталей. На этот случай фирмой Grundfos могут поставляться комплекты для технического обслуживания и соответствующие инструменты.

Выполнение технического обслуживания насосов может осуществляться также и в сервисном бюро фирмы Grundfos.

9.1 Загрязненные насосы



Если насос использовался для перекачивания токсичных или отравляющих жидкостей, то такой насос классифицируется как загрязненный.

В этом случае при проведении любого технического обслуживания необходимо иметь подробную информацию о рабочей жидкости.

Если на фирму Grundfos передается запрос о проведении технического обслуживания насоса, необходимо перед тем, как высылать насос на фирму Grundfos, связаться с ней и сообщить технические подробности о перекачиваемой насосом жидкости и т.п. В противном случае фирма Grundfos может отказаться принимать насос на техническое обслуживание.

Насосы типа SQE-NE: Высылаться на фирму Grundfos для проведения технического обслуживания могут лишь те насосы, которые имеют свидетельство с указанием, что они классифицированы как незагрязненные, т.е. насосы, не содержащие опасных для здоровья людей и/или токсичных материалов.

Чтобы исключить опасность нанесения ущерба здоровью обслуживающего персонала и загрязнения окружающей среды, насос должен иметь сертификат о том, что он классифицирован как чистый.

Это свидетельство должно быть получено фирмой Grundfos еще до того, как на фирму поступит насос. В противном случае фирма Grundfos может отказаться принимать насос на техническое обслуживание.

Заказчик несет все возможные расходы, связанные с отправкой насоса.

9.2 Запасные узлы и принадлежности

Настоятельно обращаем внимание на то, что запасные узлы и детали, а также принадлежности, поставляемые не нами, мы не проверяли и не давали допуска на их эксплуатацию.

Поэтому монтаж и/или применение этих изделий в конструкции оборудования или при его эксплуатации при определенных условиях может отрицательно сказаться на запроецированных характеристиках насоса и нарушить его функционирование. Фирма Grundfos не несет никакой ответственности или гарантийных обязательств в связи с ущербом, возникшим вследствие применения запасных узлов и деталей, а также принадлежностей других фирм-изготовителей.

Неисправности, которые вы не можете устранить самостоятельно, должны ликвидироваться только технической службой Grundfos или другими специализирующимися на техническом обслуживании фирмами, имеющими на это разрешение фирмы Grundfos.

В случае возникновения неисправности просим сообщить нам точную и исчерпывающую информацию о характере неисправности, чтобы можно было соответствующим образом подготовиться специалисту по техническому обслуживанию и заказать надлежащие запасные узлы и детали.

Технические характеристики оборудования просим Вас указывать в соответствии с данными фирменной таблички с техническими характеристиками.

10. Таблица обнаружения и устранения неисправностей

ВНИМАНИЕ

Поражение электрическим током

Травма лёгкой или средней степени тяжести



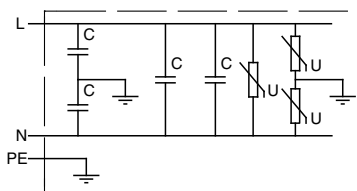
- Перед началом проведения любых работ, убедитесь в том, что электропитание отключено и приняты все меры, чтобы исключить его случайное включение.

Неисправность	Причина	Устранение
1. Насос не работает.	a) Перегорели предохранители.	Заменить предохранители. Если новые опять перегорают, следует проверить электросеть и водонепроницаемый кабель.
	b) Сработало реле защиты от аварийного тока или аварийного напряжения.	Снова включить реле защиты.
	c) Нет подачи электропитания.	Связаться с соответствующим энергоснабжающим предприятием.
	d) Сработал расцепитель максимального тока защитного автомата электродвигателя из-за перегрузки.	Проверить, где заблокирован электродвигатель/насос.
	e) Повреждение насоса или водонепроницаемого кабеля.	Отремонтировать или заменить насос или кабель.
	f) Подача повышенного или пониженного напряжения.	Проверить сеть электропитания.
2. Насос работает, но подачи воды нет.	a) Закрыт запорный вентиль в напорной магистрали.	Открыть вентиль.
	b) Отсутствие воды в колодце/скважине или слишком низкий ее уровень.	Смотри п. 3 а).
	c) Залипание обратного клапана в закрытом положении.	Вытащить насос на поверхность. Промыть или заменить клапан.
	d) Забит впускной сетчатый фильтр.	Вытащить насос на поверхность и промыть сетчатый фильтр или заменить его.
	e) Повреждение насоса.	Отремонтировать или заменить насос.

Неисправность	Причина	Устранение
3. Насос работает с пониженной производительностью.	a) Понижение уровня воды больше, чем предполагалось.	Увеличить глубину погружения насоса, выполнить дресселирование или заменить насос другим, меньшего типоразмера, у которого более низкая производительность.
	b) Частично закрыты или забиты клапаны/вентили напорного трубопровода.	Отремонтировать и промыть клапаны/вентили или, если требуется, заменить новыми.
	c) Частично забит грязью (охрой) напорный трубопровод.	Прочистить или заменить напорный трубопровод.
	d) Частично заблокирован обратный клапан насоса.	Вытащить насос на поверхность. Промыть или заменить клапан.
	e) Частично забиты грязью (охрой) стояк и насос.	Вытащить насос на поверхность, демонтировать и промыть, если требуется, заменить насос. Промыть трубопровод.
	f) Поврежден насос.	Отремонтировать или заменить насос.
	g) Течь вследствие разгерметизации трубопровода.	Проверить и отремонтировать трубопровод.
	h) Повреждение стояка.	Заменить стояк.
	i) Падение напряжения.	Проверить сеть электропитания.
4. Частые включения и отключения.	a) Слишком мала разница между значениями давления включения и отключения реле давления.	Увеличить разницу значений. Однако давление отключения не должно превышать рабочее давление в напорном резервуаре, а давление включения должно быть настолько высоким, чтобы обеспечивалась подача достаточного объема воды.
	b) Неправильная установка электродов контроля уровня воды или реле уровня в резервуаре.	Отрегулировать положение электродов или реле контроля уровня, обеспечив достаточный промежуток времени между включением и отключением насоса. Смотри инструкции по монтажу и эксплуатации применяемых автоматических устройств. Если невозможно изменить интервалы между отключением и включением с помощью приборов автоматики, можно снизить производительность насоса за счет уменьшения проходного сечения напорного клапана.
	c) Течь или блокирование в полуоткрытом положении обратного клапана.	Вытащить насос на поверхность. Промыть или заменить обратный клапан.
	d) Нестабильность напряжения питания.	Проверить сеть электропитания.
	e) Перегрев электродвигателя.	Проверить температуру воды.

10.1 Измерение сопротивления изоляции

Измерения сопротивления изоляции при подключении SQ/SQE насосов не допускаются, так как встроенная электроника может быть при этом повреждена, смотри рис. 13.



TM02 0689 5000

Рис. 13

11. Проверка электропитания

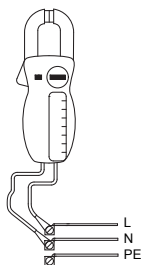
ПРЕДУПРЕЖДЕНИЕ

Поражение электрическим током
Смерть или серьезная травма



- **Перед началом проведения любых работ, убедитесь в том, что электропитание отключено и** приняты все меры, чтобы исключить его случайное включение.

1. Сетевое напряжение



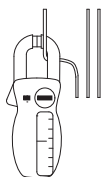
TM00 1371 4904

Замерить напряжение (прибором для контроля действующего значения) между фазой и нейтралью. Подключать вольтметр к зажимам в месте подключения электродвигателя.

Подаваемое напряжение при работающем под нагрузкой электродвигателе не должно выходить за пределы диапазона, указанного в разделе 5. [Подключение электрооборудования](#).

Сильные колебания напряжения указывают на плохое электроснабжение. В этом случае необходимо отключить насос до тех пор, пока неисправность не будет устранена.

2. Потребляемый ток



TM00 1372 5082

При работе насоса с постоянным напором (если возможно, то при том значении мощности, с которым насос работает чаще всего) замерить силу тока (прибором для контроля действующего значения). Значение максимального рабочего тока смотри в фирменной табличке с указанием технических характеристик.

Если ток превышает значение тока при полной нагрузке, возможны следующие причины неисправностей:

- плохой контакт в жилах или в кабельной муфте;
- слишком низкое сетевое напряжение, смотри раздел 1.

12. Требования экологии

При обращении с оборудованием, его эксплуатации, хранении и транспортировке должны соблюдаться все требования экологии в отношении обращения с опасными для людей и окружающей среды материалами.

ПРЕДУПРЕЖДЕНИЕ

Коррозионное вещество

Смерть или серьёзная травма



- Если насос снимается с эксплуатации, необходимо обеспечить, чтобы в насосе/электродвигателе и в стояке не оставалось опасных для здоровья людей и для окружающей среды материалов.

В сомнительных случаях просим связаться с местным представителем фирмы Grundfos.

13. Утилизация отходов

Данное изделие, а также узлы и детали должны утилизироваться в соответствии с требованиями экологии:

1. Используйте общественные или частные службы сбора мусора.
2. Если такие организации или фирмы отсутствуют, свяжитесь с ближайшим филиалом или Сервисным центром Grundfos (не применимо для России).

14. Гарантии изготовителя

На все установки предприятие-производитель предоставляет гарантию 24 месяца со дня продажи. При продаже изделия, покупателю выдается Гарантийный талон. Условия выполнения гарантийных обязательств см. в Гарантийном талоне.

Условия подачи рекламаций

Рекламации подаются в Сервисный центр Grundfos (адреса указаны в гарантийном талоне), при этом необходимо предоставить правильно заполненный Гарантийный талон.

Возможны технические изменения.

Svenska (SE) Monterings- och driftsinstruktion

Översättning av den engelska originalversionen

INNEHÅLLSFÖRTECKNING

	Sida
1. Symboler som förekommer i denna instruktion	306
2. Allmänt	307
2.1 Användning	307
3. Tekniska data	308
3.1 Förvaring	308
3.2 Ljudtrycksnivå	308
4. Iordningställande	308
4.1 Påfyllning av motorvätska	308
4.2 Placeringskrav	309
4.3 Vätsketemperatur/kylning	309
5. Elanslutning	310
5.1 Allmänt	310
5.2 Motorskydd	310
5.3 Anslutning av motor	310
6. Installation	311
6.1 Allmänt	311
6.2 Ihopmontering av pumpdel och motor	311
6.3 Demontering av backventil	311
6.4 Montering av kabelanslutning på motorn	312
6.5 Montering av kabelskyddsskena	312
6.6 Val av undervattenskabel	313
6.7 Montering av undervattenskabel	314
6.8 Röranslutning	314
7. Igångkörning	315
8. Drift	315
8.1 Minsta flöde	315
8.2 Dimensionering av membrantank samt inställning av förtryck och pressostat	315
8.3 Övertryck i brunnssystem	316
8.4 Inbyggda skyddsfunktioner	317
9. Underhåll och service	317
9.1 Förorenade pumpar	317
10. Felsökning	318
10.1 Isolationsmätning	319
11. Kontroll av nätspänningen	320
12. Miljö	320
13. Destruktion	320



Läs detta dokument före installationen. Installation och drift ska ske enligt lokala bestämmelser och gängse praxis.

Denna produkt kan användas av barn från 8 år och uppåt och personer med reducerad fysisk, sensorisk eller mental kapacitet samt personer som saknar erfarenhet och kunskap om de övervakas eller har instruerats om säker användning av produkten och förstår de risker det innebär.



Barn får inte leka med produkten. Rengöring och användarunderhåll får inte utföras av barn utan övervakning.

1. Symboler som förekommer i denna instruktion

FARA



Anger en farlig situation som, om den inte undviks, resulterar i dödsfall eller allvarliga personskador.

VARNING



Anger en farlig situation som, om den inte undviks, kan resultera i dödsfall eller allvarliga personskador.

FÖRSIKTIGHET



Anger en farlig situation som, om den inte undviks, kan resultera i smärre eller måttliga personskador.

Texten som åtföljer de tre risksymbolerna FARA, VARNING och FÖRSIKTIGHET struktureras på följande sätt:

SIGNALORD



Beskrivning av risken

- Konsekvenser om varningen ignoreras.
- Åtgärd för att undvika risken.



En blå eller grå cirkel med en vit grafisk symbol indikerar att en åtgärd måste utföras.



En röd eller grå cirkel med ett diagonalt tvärstreck, eventuellt med en svart grafisk symbol, indikerar att en åtgärd inte får utföras eller måste stoppas.



Om dessa anvisningar inte följs finns det risk för funktionsfel eller skador på utrustningen.



Tips och råd som gör arbetet enklare.

2. Allmänt

VARNING



Elektriska stötar

- Dödsfall eller allvarliga personsador
- Pumpen får inte användas när personer befinner sig i vattnet.

På sida 412 i denna monterings- och driftsinstruktion finns bilder på pumpens och motorns typskyltar.

Innan SQ/SQE-pumpen sänks ner i borrhålet, skall relevanta data för pumpen fyllas i på denna sida.

Denna monterings- och driftsinstruktion skall förvaras på en torr plats nära installationsplatsen.

2.1 Användning

SQ- och **SQE-**pumparna används för pumpning av rena, tunnflytande, icke-aggressiva, icke-explosiva vätskor utan innehåll av fasta partiklar eller fibrer.

Typiska användningsområden:

- Grundvattenförsörjning till
 - bostadshus
 - mindre vattenverk
 - bevattningsanläggning t.ex. växthus.
- Vätsketransport i tankanläggningar.
- Tryckstegring.

SQE-NE-pumpar skall användas för pumpning av rena, tunnflytande, icke-explosiva vätskor utan innehåll av fasta partiklar eller fibrer.

Dessa pumpar används för pumpning av förorenat grundvatten eller av grundvatten med innehåll av karbonater från t.ex.:

- avstjälningsplatser, deponiplatser
- kemikaliedepåer
- industrifastigheter
- olje- och bensinstationer
- miljöändamål.

SQE-NE kan dessutom användas till provtagning och övervakning samt i till viss del för inbyggnad i vattenbehandlingsanläggningar.

Gäller för alla pumptyper:

Vattnets maximala sandinnehåll får inte överstiga 50 g/m³. Större sandhalter förkortar pumpens livslängd och ökar risken för igenslamning.

Anm.

Vid pumpning av vätskor med större viskositet än vattens, kontakta Grundfos.

pH-värden:

SQ och SQE: 5 till 9.

SQE-NE: Kontakta Grundfos.

Vätsketemperatur:

Vätsketemperaturen får ej överstiga 35 °C.

3. Tekniska data

Nätspänning

1 x 200-240 V - 10 %/+ 6 %, 50/60 Hz, PE.
 Generatordrift: Generatorns kapacitet skall minst motsvara motorens P_1 [kW] + 10 %.

Startström

Motorns startström är lika med den högsta ström som finns angiven på motorens typskylt.

Effektfaktor

PF = 1.

Motorvätska

Typ SML 2.

Motorkabel

1,5 m, 3 x 1,5 mm², PE.

Vätsketemperatur

Max. 35 °C.

Röranslutning

SQ 1, SQ 2, SQ 3: Rp 1 1/4.

SQ 5, SQ 7: Rp 1 1/2.

Pumpdiameter

74 mm.

Borrhålsdiameter

Min. 76 mm.

Installationsdjup

Max. 150 m under statisk vattenyta.
 Se även avsnitt [6.8.2 Installationsdjup](#).

Nettovikt

Max. 6,5 kg.

3.1 Förvaring

Förvaringstemperatur: - 20 °C till 60 °C.

3.1.1 Frostskydd

Skall pumpen förvaras efter att den använts, skall den förvaras frostfritt eller så skall det kontrolleras att motorvätskan är frostsäkrad.

Motorn får ej läggas på lager utan att först vara påfylld med motorvätska.

3.2 Ljudtrycksnivå

Pumpens ljudtrycksnivå ligger under de gränsvärden, som finns angivna i Europarådets direktiv 2006/42/EC (maskindirektivet).

4. Iordningställande

Grundfos MS 3- och MSE 3-undervattensmotorer har vätskesmorda glidlager. Ingen ytterligare smörjning krävs.

Undervattensmotorerna är från fabrik påfyllda med en speciell Grundfos motorvätska, typ SML 2, som skyddar mot frysning ner till -20 °C och som är behandlad för att hindra uppkomst av bakterier. Vätskenivån i motorn är avgörande för lagrens och därmed även motorens livslängd.

4.1 Påfyllning av motorvätska

Om motorvätska saknas av någon orsak, måste motorn fyllas på med Grundfos motorvätska SML 2. Efterfyllning av motorn görs på följande sätt:

1. Demontera kabelskyddsskenan och demontera motorn från pumpen.

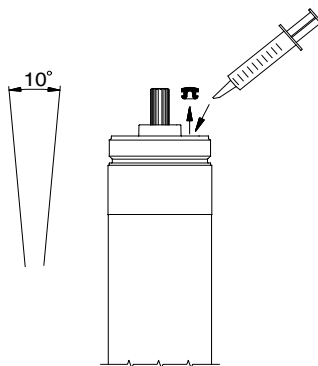


Fig. 1

2. Placera motorn i vertikal ställning med en lutning på ca. 10 °.
 3. Demontera påfyllningsproppen med skruvmejsel eller ett liknande verktyg.
 4. Fyll på vätska med en påfyllningsspruta eller liknande.
 5. Rör motorn fram och tillbaka så att eventuell luft kan komma ut.
 6. Montera påfyllningsproppen och kontrollera att den sluter tätt.
 7. Montera ihop pumpdel och motor.
 8. Montera kabelskyddsskenan.
- Pumpen är nu klar för installation.

4.2 Placeringskrav

Pumpen kan monteras såväl vertikalt som horisontalt. Pumpaxeln (eller tryckstudsens) **får dock inte** komma under horisontalplanet, se fig. 2.

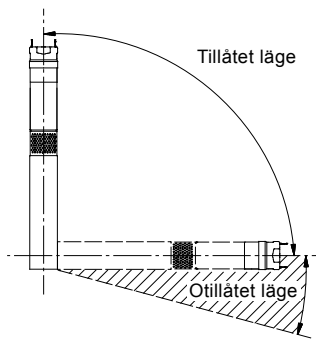


Fig. 2

Installeras pumpen horisontalt, t.ex. i en tank, och det finns risk för att pumpen blir täckt av slam, skall den monteras i en kylmantel.

Beträffande installationsdjup, se avsnitt [6.8.2 Installationsdjup](#).

4.3 Vätsketemperatur/kylning

Fig. 3 visar en SQ/SQE-pump installerad i ett borrhål. Pumpen är i drift.

Fig. 3 illustrerar följande:

- Borrhålets diameter.
- Pumpens diameter.
- Den pumpade vätskans temperatur.
- Strömning förbi motorn till pumpens inloppssil.

TM01 1375 4397

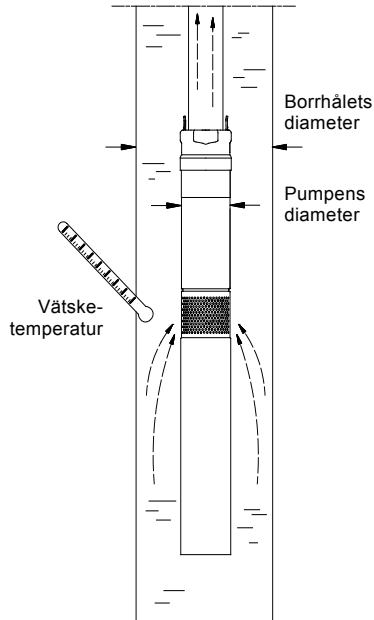


Fig. 3

För att säkerställa tillräcklig kylning av motorn är det viktigt att maximal vätsketemperatur på 35 °C ej överskrids.



Borrhålets diameter skall vara minst 76 mm (ca. 3").

Motorn bör alltid installeras ovanför borrhålsfiltret. Om kylmantel används kan pumpen installeras valfritt.



Det avrådes från att låta pumpen gå mot stängd tryckledning i mer än 5 minuter. När pumpens tryckledning stängs, blir det inget kylflöde. Härmed uppstår risk för höga temperaturer i motor och pump.

Om den aktuella vätsketemperaturen överstiger det specificerade värdet, eller om driftsförhållandena i övrigt ligger utanför specifikationerna, kan pumpen stoppa. Kontakta Grundfos.

TM01 0518 1297

5. Elanslutning

5.1 Allmänt

Den elektriska anslutningen skall utföras av en auktoriserad elinstallatör enligt lokalt gällande bestämmelser.

VARNING

Elektriska stötar

Dödsfall eller allvarliga personskador

- Innan arbete på pumpen påbörjas, kontrollera att nätspänningen är fränkopplad och att den inte oavsiktligt kan återinkopplas.
- Pumpen skall anslutas till jord.
- Pumpen skall anslutas till en extern arbetsbrytare med ett kontaktavstånd på min. 3 mm i alla poler.
- Om motorkabeln är skadad måste den, för att undvika fara, bytas av Grundfos, en av Grundfos auktoriserade serviceverkstäder eller av en person med motsvarande kvalifikationer.



Matarspänning, max. märkström och effektfaktor (PF) framgår av motorns typskylt.

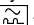
Erforderlig spänning för Grundfos undervattensmotorer, mätt vid motorns plintar, är - 10 %/+ 6 % av nominell spänning vid kontinuerlig drift (inkl. variation i matarspänning och spänningsfall i kablar).

VARNING

Elektriska stötar

Dödsfall eller allvarliga personskador

- Om pumpen ansluts till en elektrisk installation där jordfelsbrytare används som extra skydd, **skall** denna vara av typ **HPFI** eller **PFI**, som bryter när en felström med DC-innehåll (pulserande likström) registreras.

Jordfelsbrytarna **skall** vara märkta med denna symbol: .

Nätspänning:

1 x 200-240 V - 10 %/+ 6 %, 50/60 Hz, PE.

Kontroll av strömförbrukningen kan endast utföras med ett RMS-visande instrument. Om ett annat instrument används erhålls ett värde som avviker ifrån det verkliga värdet.

På SQ/SQE-pumparna kan läckström/krypström på 2,5 mA uppstå vid 230 V, 50 Hz. Läckströmmen är proportionell mot nätspänningen.

SQE- och SQE-NE-pumpar kan anslutas till en kontrollenhet, typ CU 300 eller CU 301.



Kondensator eller annan kontrollenhet än CU 300 eller CU 301 får ej användas. Pumpen får inte anslutas till en extern frekvensomformare.

5.2 Motorskydd

Motorn har inbyggd termisk brytare och kräver därför inget ytterligare motorskydd.

5.3 Anslutning av motor

Motorn har inbyggd startanordning och kan därför anslutas direkt till nätet.

Start/stopp av pumpen kommer normalt att styras via en pressostat, se fig. 4.



Pressostaten skall vara dimensionerad till den aktuella pumptypens max. ström.

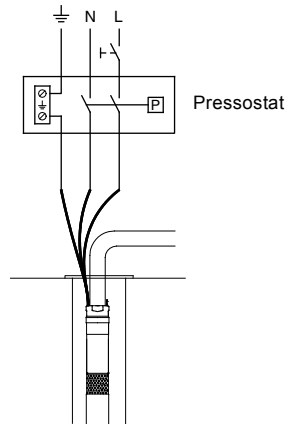


Fig. 4

6. Installation

6.1 Allmänt

VARNING

Elektriska stötar

Dödsfall eller allvarliga personskador



- Innan arbete på pumpen/motorn påbörjas, kontrollera att nätspänningen är fränkopplad och att den inte oavsiktligt kan återkopplas.



Pumpen får inte sänkas eller lyftas i motor-kabeln.

Den extra typskylt som levereras med pumpen fästes på installationsplatsen.

6.2 Ihopmontering av pumpdel och motor

Montera ihop pumpdel och motor på följande sätt:

1. Placera motorn horisontellt i ett skruvstöd och spänn fast den, se fig. 6.
2. Dra ut pumpaxeln till positionen som visas i fig. 5.

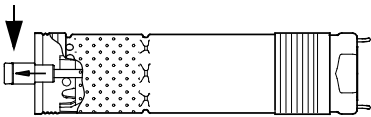


Fig. 5

3. Smörj motorns axelända med det medlevererade fettet.
4. Skruva på pumpdelen på motorn (55 Nm).
OBS: Pumpaxeln måste kugga i motoraxeln. En skiftnyckel kan användas på pumpdelens spännytor, se fig. 6.

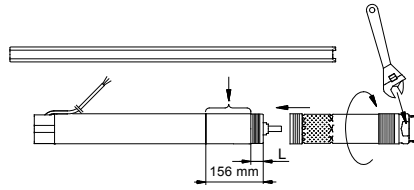


Fig. 6

Motor (P2) [kW]	L [mm]
0,70	120
1,15	102
1,68	66
1,85	66

När pumpdel och motor är korrekt ihopmonterade, skall det inte finnas något mellanrum mellan pumpdel och motor.

6.3 Demontering av backventil

Önskas pumpen utan backventil kan denna demonteras på följande sätt:

1. Klipp av de fyra "benen" på ventilstyrningen med hjälp av en sidavbitare eller liknande, se fig. 7.
2. Vänd pumpen upp och ner så att tryckstudsens vänds neråt.
3. Kontrollera att alla lösa delar kommer ut ur pumpen.

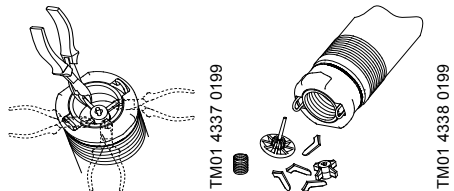


Fig. 7



SQE-NE levereras utan backventil.

En ny backventil kan vid behov monteras hos en av Grundfos auktoriserade serviceverkstäder.

6.4 Montering av kabelanslutning på motorn

VARNING

Elektriska stötar

Dödsfall eller allvarliga personskador



- Användaren får under inga omständigheter dra ut motorkontakten.
- Kabelanslutningen skall demonteras eller monteras av en av Grundfos auktoriserad serviceverkstad eller av företag med likvärdig kompetens.

Nedanstående beskrivning är endast avsedd för servicepersonal. Se avsnitt [5.1 Allmänt](#) om motorkabelnska bytas.

Den medlevererade kabelanslutningen är smord från fabrik. Kontrollera att kabelanslutningen är korrekt smord.

Montera kabelanslutningen/kontakten enligt följande:

1. Kontrollera att kabeln är av korrekt typ, kabelarea och längd.
2. Kontrollera att försörjningsspänningen på platsen har anslutning till jord.
3. Kontrollera att motorns stickkontakt är ren och torr. Säkerställ att den lösa packningen är korrekt monterad.
4. Anslut kabelanslutningen till motorns stickkontakt. Kabelanslutningen kan ej monteras fel, se fig. 8.

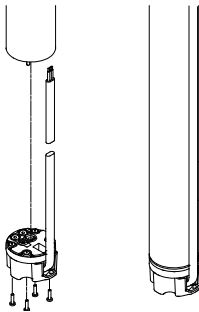


Fig. 8

5. Montera och dra åt de fyra skruvarna (1 - 1,5 Nm), se fig. 8.

När anslutningen är monterad, får det ej finnas något mellanrum mellan motor och kabelanslutning.

TM02 9605 3504

6.5 Montering av kabelskyddsskena

Montera kabelskyddsskenan på följande sätt:

1. Lägg undervattenskabeln platt i kabelskyddsskenan.
2. Placera kabelskyddsskenan i spåret på kabelanslutningen. Kabelskyddsskenans två tungor skall passa ihop med den översta kanten på pumpmanteln, se fig. 9.

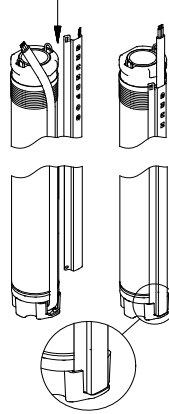


Fig. 9

3. Montera fast kabelskyddsskenan i pumpens inloppssil med de två medlevererade självgående skruvarna, se fig. 10.

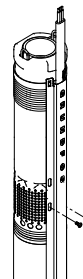


Fig. 10

TM02 9613 3504

TM01 4427 0299

6.6 Val av undervattenskabel

Grundfos kan leverera undervattenskablar till ett brett område av installationer.



Undervattenskabeln skall väljas med så stor tvärsnittsarea, att kraven på spänning, som finns beskrivna i avsnittet [5.1 Allmänt](#) uppfylls.

Värdena i nedanstående tabell är beräknade utifrån följande formel

$$q = \frac{I \times 2 \times 100 \times PF \times L \times \rho}{U \times \Delta U}$$

q = Undervattenskabelns tvärsnittsarea [mm²].

I = Motors max. märkström [A].

PF = 1,0.

L = Undervattenskabelns längd [m].

ρ = Specifikt motstånd: 0,02 [Qmm²/m].

U = Märkspänning [V].

ΔU = Spänningsfall [%] = 4 %.

Spänningsfallet på 4 % är enligt IEC 3-64, serie HD-384.

Beräkningen ger följande maximala kabellängder vid en försörjningsspänning på 240 V:

		Max. kabellängd [m]					
Motor (P2)	I _N [A]	Kabelarea					
		1,5 mm ²	2,1 mm ² / 14 AWG	2,5 mm ²	3,3 mm ² / 12 AWG	4 mm ²	6 mm ²
[kW]							
0,7	5,2	80	112	133	176	213	320
1,15	8,4	50	69	83	109	132	198
1,68	11,2	37	52	62	82	99	149
1,85	12	35	49	58	76	92	139

6.7 Montering av undervattenskabel

Det rekommenderas att undervattenskabel och motorkabel skarvas med hjälp av Grundfos kabelskarvsats typ KM.

Kabelskarvsats, typ KM	
Tvårsnittsarea	Produktnummer
1,5 till 6,0 mm ²	96021473

För större kabelarea, kontakta Grundfos.

6.8 Röranslutning

Skall verktyg användas vid montering av stigarröret, t.ex. en rörtång för att hålla fast pumpen, får denna endast anbringas på pumpens toppstycke.

Om plastslang används, monteras en kompressionskoppling mellan pump och slang.



Om plastslang monterats på pumpen, skall vid beräkning av djupläget hänsyn tas till slangens förlängning vid belastning.

Om rör med flänsanslutning används, bör flänsarna ha uttag för undervattenskabeln.

Fig. 11 visar en pumpinstallation med upplysning om:

- placering av kabelklammer, pos. 1, och avstånd mellan kabelklammorna.
- montering av vajer för att säkra pumpen, pos. 2.
- max. installationsdjup under statisk vattenspegel.

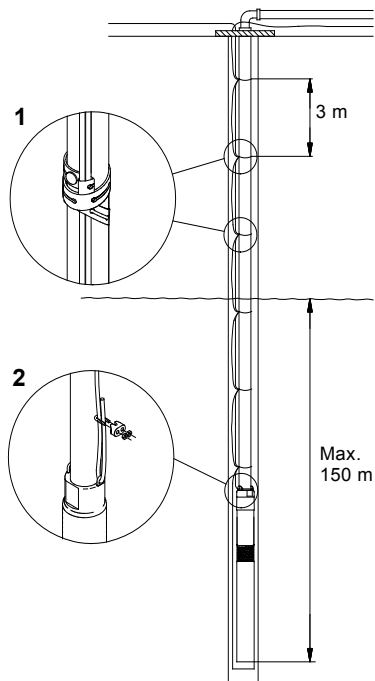


Fig. 11

6.8.1 Kabelklammer

Kabelklammer skall användas var 3:e meter, se fig. 11.

Om plastslang används, skall undervattenskabeln ha ett visst slack mellan varje klammer eftersom plastslangen förlängs vid belastning.

Om rör med flänsanslutning används, sätts dessutom klammer ovanför och under varje flänsanslutning.

TM01 0480 4397

6.8.2 Installationsdjup

Max. installationsdjup under statisk vattenspiegel: 150 m, se fig. 11.

Min. installationsdjup under dynamisk vattenspiegel:

- **Vertikal installation:**
Under igångkörning och drift skall pumpen alltid vara helt nedsänkt i vätskan.
- **Horisontell installation:**
Pumpen skall installeras och köras under minst 0,5 m vattendjup.
Finns risk för att pumpen blir täckt av slam, skall den alltid monteras i en kylmantel.

6.8.3 Sänkning av pumpen

Det rekommenderas att säkra pumpen med en avlastad vajer, se fig. 11, pos. 2.

Slacka säkerhetsvajern så mycket att den är obelastad och fäst sedan vajern med ett vajerlås i borrhålet.



Säkerhetsvajern får inte användas för att dra upp pumpen med stigarrör ur borrhålet.



Pumpen får inte sänkas eller lyftas i motor-kabeln.

7. Igångkörning

Kontrollera att borrhålet minst kan ge den vattenmängd som motsvarar pumpens kapacitet.

Pumpen får inte startas förrän den helt är nedsänkt i pumpvätskan.

Starta pumpen och låt den gå tills dess att den pumpade vätskan är helt ren, eftersom pumpens delar och backventil annars kan bli igensatta av förorenningar.

8. Drift

8.1 Minsta flöde

Med hänsyn till motorns kylning får pumpens kapacitet aldrig sättas lägre än 50 l/tim.

Om flödet plötsligt sjunker kan det bero på att pumpen pumpar mer vatten än borrhålet kan ge. Pumpen måste då stoppas och felet åtgärdas.



Pumpens torrköringsskydd verkar endast inom pumpens rekommenderade driftsområde.

8.2 Dimensionering av membrantank samt inställning av förtryck och pressostat

VARNING



Trycksatt system

Dödsfall eller allvarliga personskador

- Anläggningen skall vara dimensionerad för pumpens max. tryck.

Eftersom pumpen har inbyggd mjukstart, vilket medför att uppstartstiden är 2 sek., kommer trycket vid pressostaten och membrantanken efter start att vara lägre än pressostatens inställda startryck (p_{start}). Detta lägre tryck kallas minimitrycket (p_{min}).

p_{min} är lika med det önskade minimitrycket vid det övre tappstället + lyfthöjden och rörförlusten från pressostaten och membrantanken till det övre tappstället ($p_{min} = B + C$), se fig. 12.

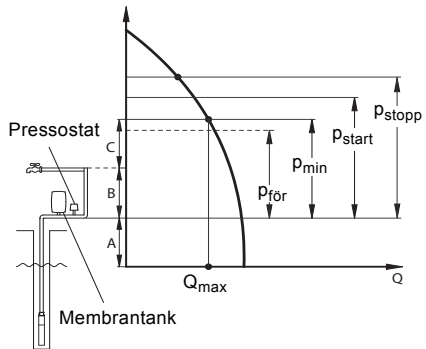


Fig. 12

- A: Lyfthöjd + rörförlust från dynamisk vattenyta till membrantanken.
- B: Lyfthöjd + rörförlust från membrantanken till det övre tappstället.
- C: Minimitryck vid det övre tappstället.



Det skall säkras, att den valda pumpen kan ge ett tryck som är högre än $p_{stopp} + A$.

- $p_{för}$: Förtryck.
- p_{min} : Önskat minimitryck.
- p_{start} : Startryck inställt på pressostat.
- p_{stopp} : Stoptryck inställt på pressostat.
- Q_{max} : Max. flöde vid p_{min} .

TIM00 6445 3795

8.3 Övertryck i brunnssystem

Installera en tryckavlastningsventil efter brunnshuvudet för att skydda mot övertryck. Tryckavlastningsventilens börvärde måste vara minst 30 psi högre än tryckinställningen.

Om en avlastningsventil installeras, rekommenderar vi att den ansluts till en lämplig dräneringspunkt.

När man vet p_{\min} och Q_{\max} , kan man finna **minsta** användbara storlek på membrantank, förtryck och pressostatinställningar i den vägledande tabellen nedan:

Exempel:

$p_{\min} = 35$ mVP, $Q_{\max} = 2,5$ m³/tim.

Med hjälp av dessa uppgifter kan följande värden utläsas i tabellen:

Minsta användbara storlek på membrantank = 33 l.

$p_{\text{för}} = 31,5$ mVP.

$p_{\text{start}} = 36$ mVP.

$p_{\text{stopp}} = 50$ mVP.

p_{\min} [mVP]	Q_{\max} [m ³ /h]																$p_{\text{för}}$ [mVP]	p_{start} [mVP]	p_{stopp} [mVP]		
	0,6	0,8	1	1,2	1,5	2	2,5	3	3,5	4	4,5	5	5,5	6	6,5	7				7,5	8
Storlek på membrantank [liter]																					
25	8	8	18	18	18	18	24	33	33	50	50	50	50	80	80	80	80	80	22,5	26	40
30	8	8	18	18	18	24	33	33	50	50	50	50	80	80	80	80	80		27	31	45
35	8	18	18	18	18	24	33	33	50	50	50	80	80	80	80	80			31,5	36	50
40	8	18	18	18	18	24	33	50	50	50	80	80	80	80	80				36	41	55
45	8	18	18	18	24	33	33	50	50	50	80	80	80	80					40,5	46	60
50	8	18	18	18	24	33	50	50	50	80	80	80	80						45	51	65
55	18	18	18	18	24	33	50	50	50	80	80	80							49,5	56	70
60	18	18	18	18	24	33	50	50	80	80	80	80							54	61	75
65	18	18	18	24	24	33	50	50	80	80	80	80							58,5	66	80

1 mVP = 0,098 bar.

8.4 Inbyggda skyddsfunktioner

Motorn har en inbyggd elektronisk enhet, som skyddar motorn i olika situationer.

Vid överbelastning kommer det inbyggda överbelastningsskyddet att stoppa pumpen i 5 minuter.

Efter denna period kommer pumpen att försöka återstarta.

Stannar pumpen på grund av torrkörning, startar den automatiskt efter 5 minuter.

Om pumpen har återstartat och borrhålet är tomt, kommer pumpen att stoppa efter 30 sekunder.

Återställning av pump: Bryt försörjningsspänningen i 1 minut.

Motorn är skyddad vid:

- torrkörning
- transienter (upp till 6000 V)
I åsktäta områden rekommenderas ett externt åskskydd.
- överspänning
- underspänning
- överbelastning och
- för hög temperatur.

SQE pumpar/MSE 3 motorer:



Via CU 300 eller CU 301 kan stoppgränsen för MSE 3-motorernas torrkörningsskydd justeras och därmed anpassas till aktuellt användningsområde.

9. Underhåll och service

Pumparna är normalt underhållsfria.

Avlagringar och slitage kan förekomma. Grundfos levererar servicesatser och serviceverktyg till pumparna. Grundfos Service Manual kan levereras på begäran.

Pumpservice kan utföras på en Grundfos serviceverkstad.

9.1 Förorenade pumpar



Om en pump använts för en vätska som är hälsovådlig eller giftig kommer den att klassas som förorenad.

Önskas service för en sådan pump hos Grundfos, måste Grundfos först kontaktas och ges information om pumpvätska etc. *innan* pumpen returneras för service, annars kan Grundfos vägra att ta emot pumpen.

I övrigt skall vid varje förfrågan om service, oavsett var, detaljerade upplysningar om pumpvätskan lämnas när pumpen använts för hälsovådliga eller giftiga vätskor.

SQE-NE: Endast pumpar som kan betecknas som ej förorenade, dvs som inte innehåller farliga och/eller giftiga ämnen, kan sändas till Grundfos för service.

Med hänsyn till arbets- och miljösäkerheten erfordras försäkran/intyg i vilken garanteras att pumpen är ren.

Denna försäkran skall vara Grundfos till handa innan pumpen anländer. I annat fall kommer Grundfos att vägra att mottaga och utföra service på pumpen.

Eventuella kostnader för returnering av pumpen betalas av kunden.

10. Felsökning

FÖRSIKTIGHET

Elektriska stötar

Smärre eller måttliga personskador



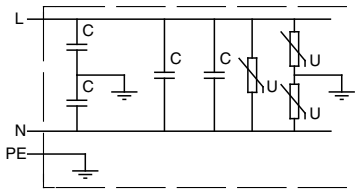
- Innan arbete på pumpen/motorn påbörjas, kontrollera att nätspänningen är fränkopplad och att den inte oavsiktligt kan återkopplas.

Fel	Orsak	Åtgärd
1. Pumpen går inte.	a) Säkringar i elinstallationen brända.	Byt säkringar. Om även de nya säkringarna bränner kontrolleras elinstallationen och undervattenskabeln.
	b) HFI-relä, FI-relä eller felsepänningsbrytare har löst ut.	Återställ reläet eller brytaren.
	c) Strömförsörjningen bruten.	Kontakta elleverantören.
	d) Motorskyddet har löst ut.	Kontrollera om motor/pump är blockerade.
	e) Pump/undervattenskabel defekt.	Reparera/byt pumpen/kabeln.
	f) Överspänning eller underspänning råder.	Kontrollera nätspänningen.
2. Pumpen går, men ger inget vatten.	a) Utloppsventilen är stängd.	Öppna ventilen.
	b) Inget vatten eller för låg vattennivå i borrhålet.	Se punkt 3 a).
	c) Backventilen blockerad i stängt läge.	Tag upp pumpen och rengör eller byt backventilen.
	d) Inloppssilen igentäppt.	Tag upp pumpen och rengör inloppssilen.
	e) Pumpen defekt.	Reparera/byt pumpen.
3. Pumpen går med nedsatt kapacitet.	a) Vattennivån sjunker snabbare än beräknat.	Öka pumpdjupet, reducera pumpkapaciteten eller byt till en pump med lägre kapacitet.
	b) Ventilerna i tryckledningen delvis stängda/blockerade.	Kontrollera och rengör, ev. byt ventilerna.
	c) Tryckledningen delvis igentäppt av föroreningar.	Rensa/byt tryckledning.
	d) Backventilen i pumpen delvis blockerad.	Tag upp pumpen, rengör/byt backventilen.
	e) Pump och stigarrör delvis igentäppt av föroreningar.	Tag upp pumpen. Kontrollera och rengör, ev. byt pumpen. Rensa rören.
	f) Pumpen defekt.	Reparera/byt pumpen.
	g) Läckage i rörinstallationen.	Kontrollera och reparera rörinstallationen.
	h) Stigarröret defekt.	Byt stigarröret.
	i) Underspänning råder.	Kontrollera nätspänningen.

Fel	Orsak	Åtgärd
4. Täta starter och stopp.	a) Inställd differens mellan tryckbrytarens start- och stopptryck för liten.	Öka differensen. Stopptrycket får dock ej överstiga hydroforens arbetstryck, och starttrycket måste vara så högt att tillräcklig vattenförsörjning säkras.
	b) Den automatiska nivåkontrollen eller nivåbrytarens i reservoaren är inte rätt installerade.	Justera avstånden för elektroder/nivåbrytare så att lämpliga tider mellan pumpens in- och urkoppling erhålls. Se monterings- och driftsinstruktioner för den använda automatiken. Om intervallerna för stopp/start inte kan ändras via automatiken, kan pumpens kapacitet ev. reduceras med utloppsventilen.
	c) Backventilen otät eller har fastnat i halvöppet läge.	Tag upp pumpen, rengör eller byt backventilen.
	d) Nätspanningen är inte stabil.	Kontrollera nätspanningen.
	e) Motortemperaturen blir för hög.	Kontrollera vätsketemperaturen.

10.1 Isolationsmätning

Isolationsmätning får inte förekomma på installationer, där SQ/SQE-pumpar finns anslutna, eftersom den inbyggda elektroniken därvid kan ta skada, se fig. 13.



TM02 0689 5000

Fig. 13

11. Kontroll av nätspänningen

VARNING

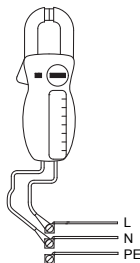
Elektriska stötar

Dödsfall eller allvarliga personskador



- Innan arbete på pumpen/motorn påbörjas, kontrollera att nätspänningen är fränkopplad och att den inte oavsiktligt kan återinkopplas.

1. Nätspänning

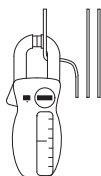


TM00 1371 4904

Mät spänningen (RMS) mellan fas och nolla. Voltmetern ansluts till anslutningens kopplingsplintar.

Spänningen vid belastning skall ligga inom det område som anges i avsnitt [5. Elanslutning](#). Större variationer i nätspänningen tyder på fel i strömförsörjningen, och pumpen bör stoppas tills felet är avhjälpt.

2. Strömförbrukning



TM00 1372 5082

Mät strömmen (RMS). Mätningen skall göras medan pumpen går med ett konstant utloppstryck (om möjligt med en kapacitet, där motorn är som mest belastad).

Max. driftsström framgår av typskylten.

Om strömmen överstiger fullastströmmen, kan det bero på:

- Dålig ledningsförbindelse, ev. i kabel-skarvar.
- För låg nätspänning. Se punkt 1.

12. Miljö

Vid all hantering, drift, lagring och transport skall gällande miljöbestämmelser rörande hantering av farliga ämnen iakttas.

VARNING

Frätande ämne

Dödsfall eller allvarliga personskador



- I samband med att pumpen tas ur drift, måste säkerställas att den inte innehåller några rester av ämnen, som kan vara skadliga för människor eller miljö.

Vid tveksamma fall kontaktas Grundfos eller lokala myndigheter.

13. Destruktion

Destruktion av denna produkt eller delar härav ska ske på ett miljövänligt vis:

1. Använd offentliga eller privata återvinningsstationer.
2. Om detta inte är möjligt, kontakta närmaste Grundfosbolag eller Grundfos auktoriserade servicepartners.

Prevod originalnega angleškega izvoda

VSEBINA

	Stran
1. Simboli, uporabljeni v tem dokumentu	321
2. Splošen opis	322
2.1 Namen uporabe	322
3. Tehnični podatki	323
3.1 Skladiščenje	323
3.2 Nivo hrupnosti	323
4. Priprava za montažo	323
4.1 Polnjenje motorne tekočine	323
4.2 Vgradni pogoji	324
4.3 Temperatura medija/hlajenje motorja	324
5. Električni priključek	325
5.1 Splošni podatki	325
5.2 Zaščita motorja	325
5.3 Priključitev motorja	325
6. Montaža	326
6.1 Splošno	326
6.2 Povezovanje motorja s črpalko	326
6.3 Odstranjevanje povratnega ventila	326
6.4 Montaža kableske vtičnice na motor	327
6.5 Montaža kableskega zaščitnega vodila	327
6.6 Potrebni kabelski prerezi	328
6.7 Povezava kablov	329
6.8 Cevni priključek	329
7. Zagon	330
8. Obratovanje	330
8.1 Minimalni pretok	330
8.2 Izbira membranske tlačne posode, nastavitvev predpritiska in tlačnega stikala	330
8.3 Nadtlak sistema vodnjaka	331
8.4 Vgrajena zaščita	332
9. Vzdrževanje in servis	332
9.1 Kontaminirane črpalke	332
9.2 Nadomestni deli/dodatna oprema	332
10. Pregled motenj	333
10.1 Merjenje izolacijske upornosti	334
11. Preverjanje električne napetosti	335
12. Varstvo okolja	335
13. Odstranitev	335



Pred namestitvijo preberite ta dokument. Namestitvev in delovanje morata biti skladna s krajevnimi predpisi ter pravili dobre prakse.



To napravo lahko uporabljajo otroci, stari osem let in več, osebe z zmanjšanimi telesnimi, čutnimi ali duševnimi sposobnostmi, osebe brez izkušenj in znanja pa le, če jih nadzira ustrezno usposobljena oseba, oziroma znajo to napravo varno uporabljati in poznajo morebitne nevarnosti, povezane z njeno uporabo.

Otroci se z napravo ne smejo igrati. Otroci ne smejo čistiti in vzdrževati naprave brez nadzora odraslih.

1. Simboli, uporabljeni v tem dokumentu

NEVARNOST



Označuje nevarno situacijo, ki bo, če se ji ne izognete, povzročila smrt ali resno telesno poškodbo.

OPOZORILO



Označuje nevarno situacijo, ki bo, če se ji ne izognete, povzročila smrt ali resno telesno poškodbo.

POZOR



Označuje nevarno situacijo, ki lahko, če se ji ne izognete, povzroči manjšo ali zmerno telesno poškodbo.

Besedilo ob simbolih za NEVARNOST, OPOZORILO in POZOR bo strukturirano na sledeč način:

SIGNALNA BESEDA



Opis nevarnosti

Posledice neupoštevanja opozorila.
- Ukrepi za preprečevanje nevarnosti.



Moder ali siv krog z belim grafičnim simbolom nakazuje, da je treba sprejeti ukrepe za izogib nevarnosti.



Rdeč ali siv krog z diagonalno črto, mogoče tudi s črnim grafičnim simbolom, pomeni, da ne smejo biti sprejeti nobeni ukrepi oz. da morajo biti ustavljeni.



Neupoštevanje teh navodil lahko povzroči okvaro ali poškodbo opreme.



Namigi in nasveti za preprostejše delo.

2. Splošen opis

OPOZORILO



Električni udar

Smrt ali resna telesna poškodba
- Črpalka se ne sme uporabljati medtem, ko so ljudje v vodi.

Na strani [412](#) tega navodila za montažo in obratovanje se nahajajo kopije napisnih tablic črpalk in motorja.

Preden spustite črpalko SQ/SQE v vrtino, je potrebno vnesti pomembne podatke na to stran.

To navodilo za montažo in uporabo shranjujte na suhem mestu v neposredni bližini stroja.

2.1 Namen uporabe

Črpalke **SQ** in **SQE** so namenjene za črpanje čistih, redkotekočih, neagresivnih, neeksplozivnih medijev brez trdih ali dolgovlaknatih primesi.

Poglavitna mesta uporabe:

- Oskrba s talno vodo za
 - stanovanjske zgradbe,
 - male hidroelektrarne,
 - namakalne naprave, npr. v rastlinjaki.
- Črpanje tekočin v zbiralnikih.
- Povišanje tlaka.

Črpalke **SQE-NE** so primerne za črpanje čistih, redkotekočih, neeksplozivnih medijev brez trdih ali dolgovlaknatih primesi.

Črpalke lahko uporabljamo tudi za črpanje onesnažene podtalnice ali podtalnice s hidrogenkarbonatom, npr. iz

- odlagališč
- kemičnih deponij
- industrijskih zemljišč
- bencinskih servisov in
- okoljevarstvenih področij.

Poleg tega uporabimo črpalko **SQE-NE** za odvzem vzorcev in nadzorovanje ter jo v izjemnih primerih lahko inštaliramo v napravah za pripravo vode.

Za vse tipe črpalk velja:

Maksimalna vsebnost peska ne sme prekoračiti 50 g/m^3 . Višja vsebnost črpalke zmanjša življenjsko dobo in poveča nevarnost blokiranja.

Pri črpanju medijev, katerih viskoznost se razlikuje od vode, se posvetujte s podjetjem Grundfos.

Nasvet

pH-vrednosti:

SQ in SQE: 5 do 9.

SQE-NE: Posvetujte se s podjetjem Grundfos.

Temperatura medija:

Temperatura medija ne sme prekoračiti $35 \text{ }^\circ\text{C}$ (glej odstavek [4.3 Temperatura medija/hlajenje motorja](#)).

3. Tehnični podatki

Napajalna napetost:

1 x 200-240 V - 10 %/+ 6 %, 50/60 Hz, PE.
Generatorski pogon: Zmogljivost generatorja mora ustrezati minimalni vrednosti motorne zmogljivosti P_1 [kW] + 10 %.

Zagonski tok:

Zagonski tok motorja ustreza najvišji vrednosti, ki je navedena na napisni ploščici.

Faktor zmogljivosti:

PF = 1.

Motorna tekočina:

Tip SML 2.

Motorni kabel:

1,5 m, 3 x 1,5 mm², PE.

Temperatura medija:

Maksimalno 35 °C.

Cevni priključek:

SQ 1, SQ 2, SQ 3: Rp 1 1/4.

SQ 5, SQ 7: Rp 1 1/2.

Premer črpalke:

74 mm.

Premer vrtilne:

Min. 76 mm.

Vgradna globina:

Maksimalno 150 m pod vodno gladino.
Glej tudi poglavje [6.8.2 Globine vgradnje](#).

Neto teža:

Maksimalno 6,5 kg.

3.1 Skladiščenje

Skladiščna temperatura: -20 °C do +60 °C.

3.1.1 Zaščita pred zmrzovanjem

Črpalko vskladiščite v prostor, toliko ogrevan, da ne pride do zmrzovanja. V nasprotnem primeru moramo poskrbeti za to, da je motorna tekočina odporna proti zmrzovanju.

Motorja ni dovoljeno skladiščiti brez motorne tekočine.

3.2 Nivo hrupnosti

Nivo hrupnosti črpalke leži pod mejnimi vrednostmi, ki so navedeni v EG-smernicah 2006/42/EG za stroje.

4. Priprava za montažo

Grundfos povodni motorji MS 3 in MSE 3 imajo drsne ležaje, ki se mažejo z vodo. Dodatno mazanje ni potrebno.

Grundfos dobavlja podvodne motorje s posebno motorno tekočino, tipa SML 2. Ta tekočina je odporna proti zmrzovanju do -20 °C in protibakterijsko konzervirana.

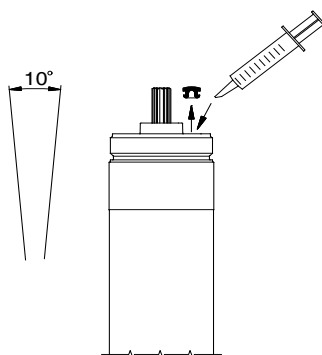
Najpomembnejši za življenjsko dobo ležajev in motorja je nivo tekočine.

4.1 Polnjenje motorne tekočine

Če se je iz kateregakoli razloga motorna tekočina izsušila ali je odtekla, je potrebno v motor ponovno naliti Grundfosovo motorno tekočino SML 2.

Postopek dolivanja motorne tekočine:

1. Odstraniti zaščitno oporo kabla in motor ločiti od črpalke.



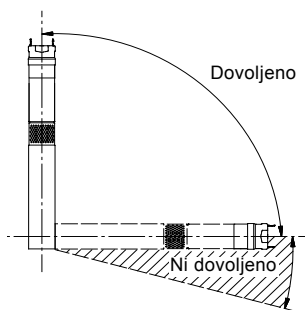
Slika 1

2. Motor postavi vertikalno z 10 ° nagibom.
 3. Čep odprtine za nalivanje demontirati z izvijačem ali podobnim orodjem.
 4. Z brizgalko napolniti motor s tekočino.
 5. Motor premikati, tako da morebiten zrak izide.
 6. Vstavi polnilni čep in ga dobro priviti.
 7. Motor povezati s črpalko.
 8. Pritrditi zaščitno oporo kabla.
- Sedaj je črpalka pripravljena za montažo.

TM02 9606 3504

4.2 Vgradni pogoji

Črpalke lahko vgradimo navpično ali vodoravno. Gred črpalke nikoli ne sme biti pod vodoravnico, glej sliko 2.



Slika 2

Če črpalke montiramo vodoravno, npr. v zbiralniku in obstaja nevarnost vdora blata, jo je potrebno opremiti s hladilnim plaščem.

Vgradne globine, glej poglavje [6.8.2 Globine vgradnje](#).

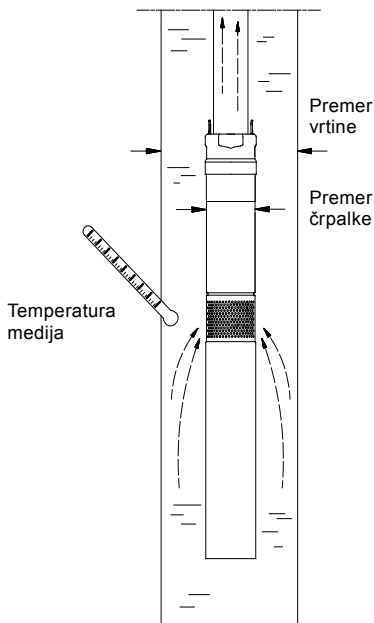
4.3 Temperatura medija/hlajenje motorja

Slika 3 prikazuje črpalke SQ/SQE, ki je vgrajena v izvrtino. Črpalke obratuje.

Slika 3 prikazuje sledeče:

- premer vrtnine
- premer črpalke
- temperaturo medija
- pretok mimo motorja do vstopnega sita.

TM01 1375 4397



Slika 3

Za zagotovitev zadostnega hlajenja motorja, je pomembno opazovati maksimalno temperaturo tekočine 35 °C pri vseh pogojih.



Premer vrtnine mora znašati minimalno 76 mm (ca. 3").

Priporočamo vgradnjo motorja nad filter vodnjaka. Če uporabimo hladilni plašč, je črpalke mogoče poljubno vgraditi v vrtnino.



Pri zaprtem tlačnem vodu črpalke ne sme obratovati več kot 5 minut.

Pri zaprtem tlačnem vodu ni hlajenja in obstaja nevarnost pregrevanja motorja in črpalke.

Če dejanska temperatura medija presega določeno vrednost ali če so obratovalni pogoji izven specifikacij, se lahko zgodi, da se črpalke izklopi. Posvetujte se prosim s podjetjem Grundfos.

TM01 0518 1297

5. Električni priključek

5.1 Splošni podatki

Električni priključek mora izvesti strokovnjak v skladu z lokalnimi predpisi EVU oz. VDE.

OPOZORILO

Električni udar

Smrt ali resna telesna poškodba

- Pred pričetkom del na črpalki je potrebno obvezno izklopiti napajalno napetost. Preprečiti je potrebno neželen ponovni vklop.
- Črpalka mora biti ozemljena.
- Črpalka mora biti varovana na mestu vgradnje in imeti dodatno zunanje omrežno stikalo. Razdalja med kontakti v odprtem stanju mora biti najmanj 3 mm na vseh polih.
- Če je kabel motorja poškodovan, ga mora zemanjati Grundfos, pooblaščen Grundfosov servis ali druga ustrezno kvalificirana oseba, in s tem preprečiti nastanek nesreč.



Podatki o napajalni napetosti, označeni maksimalni napetosti in moč (PF), so razvidni iz napisne tablice motorja.

Potrebno napetostno področje za Grundfos podvodne motorje, merjeno ob motornih objemkah, znaša - 10 %/+ 6 % nazivne napetosti pri trajnem obratovanju (vključno s tolerancami v napajalni napetosti in izgubami v kablilih).


OPOZORILO

Električni udar

Smrt ali resna telesna poškodba

- Če je črpalko potrebno priključiti na električno inštalacijo, v katerih imamo FI-zaščitna stikala kot dodatna zaščita, **moramo** uporabiti take, ki glede na DIN VDE 0664 delujejo na izmenični in na pulzirajoči tok.



Ta zaščitna stikala **morajo** biti označena s sledečim simbolom: .

Napajalna napetost:

1 x 200-240 V - 10 %/+ 6 %, 50/60 Hz, PE.

Vrednosti lahko merimo samo z merilniki učinkovite vrednosti. Drugi merilniki dajejo odstopajoče rezultate od dejanskih vrednosti.

Pri črpalkah SQ/SQE lahko pri 230 V, 50 Hz izmerimo tipično tokovno prepuščanje 2,5 mA. Tokovno prepuščanje je proporcionalno napajalni napetosti.

Črpalke SQE in SQE-NE lahko priklopimo na popolno motorno zaščito, tip CU 300 ali CU 301.

Ni dovoljeno priklopiti kondenzatorja ali katero drugo popolno motorno zaščito razen CU 300 ali CU 301.

Črpalke ni dovoljeno priključiti na zunanje frekvenčne pretvornike.



5.2 Zaščita motorja

Motor ima vgrajeno termo stikalo in ne potrebuje nobene druge zaščite motorja.

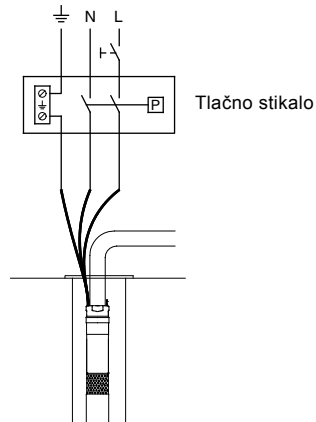
5.3 Priklučitev motorja

Motor ima vgrajeno zagonsko napravo in ga je mogoče priklopiti neposredno na mrežo.

Vklop in izklop črpalke se izvede praviloma s pomočjo tlačnega stikala, glej sliko 4.



Tlačno stikalo mora prenesti maksimalni tok določenega tipa črpalke.



Slika 4

6. Montaža

6.1 Splošno

OPOZORILO

Električni udar

Smrt ali resna telesna poškodba



- Pred pričetkom obratovanja črpalke ali motorja je obvezno potrebno izklopiti napajalno napetost. Preprečiti moramo nepoklican vklop.



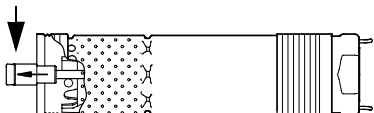
Črpalke ni dovoljeno spuščati ali dvigati za kabel.

Vsaka črpalka je opremljena z dodatno napisno tablico, ki se mora nahajati na kraju montaže, oz. postavitve.

6.2 Povezovanje motorja s črpalko

Motor spojite s črpalko, kot sledi:

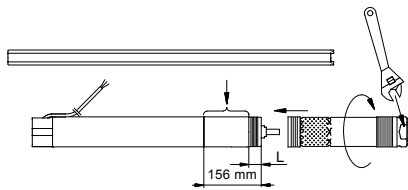
1. Motor vodoravno vpnete v primež, glej sliko 6.
2. Potegnite oz. črpalke kot kaže spodnja slika 5.



Slika 5

3. Osi motorja namažete s priloženo mastjo.
4. Priviti črpalke na motor (55 Nm).
Pazite: Oz. črpalke mora biti sklopljena z ozem črpalke.
Uporabljamo ustrezen vijačni ključ, glej sliko 6.

TM02 8425 5203



Slika 6

TM01 2854 2299

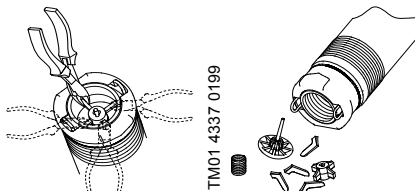
Motor (P2) [kW]	L [mm]
0,70	120
1,15	102
1,68	66
1,85	66

Ko sta črpalke in motor pravilno povezana, ne sme med njimi biti razmaka.

6.3 Odstranjevanje povratnega ventila

Če potrebujemo črpalke brez povratnega ventila, ga lahko odstranimo kot sledi:

1. Noge ventilnega vodila odstranimo s kombiniranimi kleščami ali podobnim orodjem, glej sliko 7.
2. Črpalke obrnemo tako, da kaže glava navzdol.
3. Vse proste dele odstranimo iz črpalke.



Slika 7

TM01 4337 0199

TM01 4338 0199



SQE-NE dobavimo brez povratnega ventila.

Montažo povratnega ventila lahko opravi Grundfos servisna služba.

6.4 Montaža kabselske vtičnice na motor

OPOZORILO

Električni udar

Smrt ali resna telesna poškodba



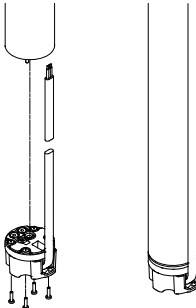
- Motornega vtiča pod nobenim pogojem ne sme odstraniti uporabnik.
- Kabel z vtičnico mora pritrčiti ali odstraniti pooblaščen Grundfosov serviser oz. ustreza kvalificirana oseba.

Spodnji opis je namenjen izključno servisnemu osebju. Če je potrebno zamenjati kabel motorja, glejte razdelek [5.1 Splošni podatki](#).

Dobavljena kabselska vtičnica je tovarniško namazana. Preglejte, če je vtičač pravilno namazan.

Kabselsko vtičnico montirate, kot sledi:

1. Preglejte, če ustrezajo tip, premer in dolžina kabela.
2. Prekontrolirajte, če ima lokalna napajalna napetost pravilno izvedeno ozemljitev.
3. Preverite, da je vtičnica čista in suha. Preverite, da so tesnila pritrjena.
4. Priključite kabselski vtičač na motor. Kabselskega vtičača ni mogoče napačno montirati, glej sliko [8](#).



Slika 8

5. Vstavite in pritrдите štiri vijake (1 - 1,5 Nm), glej sliko [8](#).

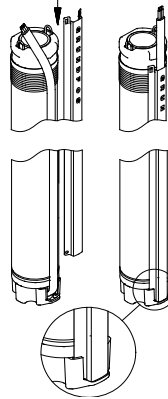
Po pravilno izvedeni montaži ne sme biti razmaka med motorskim in kabselskim vtičačem.

TM02 9605 3504

6.5 Montaža kabselskega zaščitnega vodila

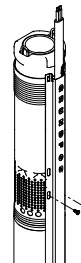
Kabselsko zaščitno vodilo montirajte kot sledi:

1. Podvodni kabel plosko položite v kabselsko zaščitno vodilo.
2. Vstavite zaščito kabela v utor kabselskega vtiča. Obe gornji stranski luknji kabselskega zaščitnega vodila vtisnite na gornji rob plašča črpalke, glej sliko [9](#).



Slika 9

3. Z obema dobavljenima samoreznima vijakoma pritrдите kabselsko zaščitno vodilo na vstopno sito, glej sliko [10](#).



Slika 10

TM02 9613 3504

TM01 4427 0299

6.6 Potrebni kabelski prerezi

Grundfos podvodne kable dobavljamo za najrazličnejše inštalacije.



Podvodni kabel mora imeti ustrezen prerez, da ustreza napetostnim zahtevam, navedenim v odstavku [5.1 Splošni podatki](#).

Vrednosti spodnje tabele so izračunane po sledeči formuli

$$q = \frac{I \times 2 \times 100 \times PF \times L \times \rho}{U \times \Delta U}$$

q = kabelski prerez [mm^2].

I = maksimalni tok [A].

PF = 1,0.

L = dolžina podvodnega kabla [m].

ρ = specifični upor: 0,02 [$\Omega\text{mm}^2/\text{m}$].

U = nazivna napetost [V].

ΔU = padec napetosti [%] = 4 %.

Padec napetosti je v skladu z IEC 3-64, serija HB-384.

Izračun daje sledeče dolžine kabla pri napajalni napetosti 240 V:

Maksimalna dolžina kabla [m]							
Motor (P2)	I_N	Velikost kabla					
		1,5 mm ²	2,1 mm ² / 14 AWG	2,5 mm ²	3,3 mm ² / 12 AWG	4 mm ²	6 mm ²
[kW]	[A]						
0,7	5,2	80	112	133	176	213	320
1,15	8,4	50	69	83	109	132	198
1,68	11,2	37	52	62	82	99	149
1,85	12	35	49	58	76	92	139

6.7 Povezava kablov

Priporočamo povezavo podvodnega kabla z motornim kablom s pomočjo Grundfos kableske sklopke, tip KM.

Kableska sklopka, tip KM	
Presek vodnika	Številka izdelka
1,5 do 6,0 mm ²	96021473

Pri večjih presekih prevodnikov se posvetujte s podjetjem Grundfos.

6.8 Cevni priključek

Kadar pri priključevanju dvižne cevi uporabljamo orodja, kot npr. cevne klešče, je dovoljeno vpenjati le glavo črpalke.

Če črpalko povezujemo s cevmi iz umetne mase, moramo uporabiti stisljive spojnice.

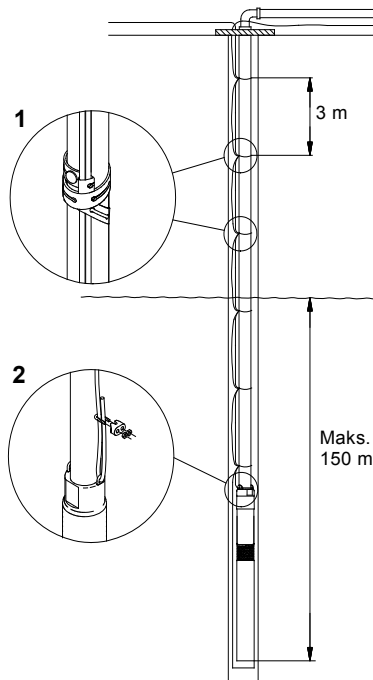


Pri montaži črpalk s cevmi iz umetnih mas, moramo upoštevati raztezanje cevi pri določanju vgradne globine.

Če uporabljamo cevi s prirobnico, priporočamo izpustitev prirobnice, da lahko namestimo podvodni kabel.

Slika 11 prikazuje inštalacijo črpalke z navedbo:

- Položaja kableskih objemk, poz. 1, in razmak med kableskimi objemkami.
- Montaže jeklene vrvi, poz. 2.
- Maksimalno globino vgradnje pod mirujočim vodnim nivojem.



Slika 11

6.8.1 Pritrditev kablov

Kableske objemke pritrdite na razdalji 3 m, slej sliko 11.

Pri uporabi cevi iz umetne mase, morate pri podvodnemu kablju zaradi obremenitvenih razlik upoštevati potrebno toleranco.

Pri uporabi cevi s prirobnico, namestite kableske objemke pod in nad vsako povezavo.

TMO1 0480 4397

6.8.2 Globine vgradnje

Maksimalna vgradna globina pod mirujočo gladino vode: 150 m, glej sliko 11.

Minimalna vgradna globina pri znižanem nivojem vode:

- **Navpična vgradnja:**
Pri zagonu in v času obratovanja mora biti črpalka zmeraj popolnoma potopljena v vodo.
- **Vodoravna vgradnja:**
Črpalka mora biti vgrajena 0,5 m pod znižanim vodnim nivojem.
Priporočilo: Montaža črpalke s hladilnim plaščem/sitom z distančnimi objemkami zaradi preprečevanja nabiranja blata na črpalki.

6.8.3 Spuščanje črpalke

Priporočamo, da črpalko zavarujete s pomočjo jeklene vrvi, glej sliko 11, poz. 2.

Jeklene vrvi toliko popustiti, da je neobremenjena. Nato vrv z objemkami pričvrstite na glavi vodnjaka.



Jeklene vrvi ne smete uporabiti za izvlek črpalke skupaj s tlačnim cevovodom iz vrtine.



Črpalke ne spuščajte in ne vlečite za električni kabel.

7. Zagon

Zagotovite, da ustreza pritek vode k vodnjaku minimalni črpalni zmogljivosti črpalke.

Črpalko je dovoljeno vklopiti šele tedaj, ko je popolnoma potopljena v pretočni medij.

Vklopiti črpalko in jo izklopiti šele tedaj, ko je pretočni medij ponovno čist. Prehiter izklop črpalke poveča nevarnost zamašitve delov črpalke ali povratnega ventila.

8. Obratovanje

8.1 Minimalni pretok

Da bi zagotovili zadostno hlajenje motorja pretok črpalke ne sme biti manj kot 50 l/h.

Pretok se lahko nenadoma zmanjša. Razlog za to je lahko večja zmogljivost črpalke od dotoka vode do vodnjaka. Črpalko je potrebno izklopiti in odpraviti napako.



Zaščita pred suhim tekom črpalke deluje le znotraj priporočenega obratovalnega področja črpalke.

8.2 Izbira membranske tlačne posode, nastavev predpritiska in tlačnega stikala

OPOZORILO



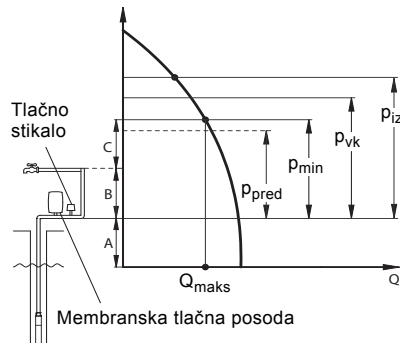
Tlačni sistem

Smrt ali resna telesna poškodba

- Naprava mora biti nastavljena na maksimalni pretočni pritisk črpalke.

Ker ima črpalka vgrajen mehki zagon, ki omogoča dvominutni zagonski čas, je pritisk na tlačnem stikalu in membransko tlačno posodo po vklopu črpalke nižji kot na tlačnim stikalom nastavljeni vklopni pritisk (p_{vk}). Ta nižji pritisk imenujemo minimalni pritisk (p_{min}).

p_{min} ustreza potrebnemu minimalnemu pritisku na najvišjem priključku + črpalna višina in pretočni upor v cevnem vodu med tlačnim stikalom ali membransko tlačno posodo in najvišjem priključku ($p_{min} = B + C$), glej sliko 12.



Slika 12

- A: Pretočna višina + pretočni upor v cevnem vodu med znižano vodno gladino in membransko tlačno posodo.
- B: Pretočna višina + pretočni upor v cevnem vodu med membransko tlačno posodo in najvišjim priključkom.
- C: Minimalni pritisk na najvišjem priključku.



Zagotoviti moramo, da pretočni tlak določene črpalke presega vrednost $p_{iz} + A$.

- p_{pred} : Predtlak.
- p_{min} : Potreben minimalni tlak.
- p_{vk} : Nastavljen vklopni pritisk stikala.
- p_{iz} : Nastavljen izklopni pritisk stikala.
- Q_{maks} : Maksimalni pretok pri p_{min} .

8.3 Nadtlak sistema vodnjaka

Da bi zagotovili zaščito pred nadtlakom, namestite razbremenilni ventil dolvodno od glave vodnjaka. Nastavljena vrednost razbremenilnega ventila za tlak mora biti vsaj 30 psi nad nastavitvijo tlaka.

Če namestite razbremenilni ventil, priporočamo, da ga priključite na primerno drenažno točko.

Minimalna velikost membranske tlačne posode, predtlak in nastavitve tlačnega stikala so razvidni v odvisnosti od p_{\min} in Q_{\max} iz sledeče tabele:

Primer:

$$p_{\min} = 35 \text{ mVS}, Q_{\max} = 2,5 \text{ m}^3/\text{h}.$$

Na osnovi teh podatkov lahko iz tabele razberete sledeče vrednosti:

Minimalna velikost membranske tlačne posode = 33 l.

$$p_{\text{pred}} = 31,5 \text{ mVS}.$$

$$p_{\text{vk}} = 36 \text{ mVS}.$$

$$p_{\text{iz}} = 50 \text{ mVS}.$$

p_{\min} [m]	Q_{\max} [m ³ /h]																p_{pred} [m]	p_{vk} [m]	p_{iz} [m]		
	0,6	0,8	1	1,2	1,5	2	2,5	3	3,5	4	4,5	5	5,5	6	6,5	7				7,5	8
Velikost membranske tlačne posode [liter]																					
25	8	8	18	18	18	18	24	33	33	50	50	50	50	80	80	80	80	80	22,5	26	40
30	8	8	18	18	18	24	33	33	50	50	50	50	80	80	80	80	80	80	27	31	45
35	8	18	18	18	18	24	33	33	50	50	50	80	80	80	80	80			31,5	36	50
40	8	18	18	18	18	24	33	50	50	50	80	80	80	80	80				36	41	55
45	8	18	18	18	24	33	33	50	50	50	80	80	80	80					40,5	46	60
50	8	18	18	18	24	33	50	50	50	80	80	80	80						45	51	65
55	18	18	18	18	24	33	50	50	50	80	80	80							49,5	56	70
60	18	18	18	18	24	33	50	50	80	80	80	80							54	61	75
65	18	18	18	24	24	33	50	50	80	80	80	80							58,5	66	80

1 mVS = 0,098 barov.

8.4 Vgrajena zaščita

Motor ima vgrajeno elektronsko enoto, ki motor zaščiti pred različnimi vplivi.

Pri preobremenjenosti bo vgrajena zaščita pred preobremenjenostjo črpalko izklopila za 5 minut. Po tem času se črpalke ponovno zažene.

Če je bila črpalke zaradi praznega teka izklopljena, se po 5 minutah avtomatsko ponovno vklopi.

Če se črpalke ponovno vklopi in je vrtna prazna, se po preteku 30 sekund izklopi.

Nastavitev prejšnjega stanja črpalke. Izklopiti napajalno napetost za eno minuto.

Motor je zaščiten v sledečih primerih:

- suhi tek
- impulzna prenapetost (6000 V)
Na področjih z veliko intenziteto udarjanja strel, je potrebna zunanja zaščita proti udaru strele.
- prenapetost
- prenizka napetost
- preobremenjenitev
- pregrevanje.

SQE črpalke/MSE 3 motorji:



Preko CU 300 ali CU 301 lahko nastavite mejo zaustavitve motorjev MSE 3 v primeru suhega teka, glede na aktualno aplikacijo.

9. Vzdrževanje in servis

Črpalke običajno ni potrebno vzdrževati.

Lahko se pojavijo odlaganine in obraba. Grundfos dobavlja servisne komplete in servisna orodja. Po želji Vam posredujemo Grundfos Service Manual.

Pregled črpalke lahko opravi Grundfos servisna delavnica.

9.1 Kontaminirane črpalke



Če je črpalke bila uporabljena za prečrpavanje zdravju škodljive ali strupene tekočine, jo označimo za kontaminirano.

V tem primeru morate predložiti podrobne informacije o pretočnem mediju pri vsakem servisnem zahtevku.

Če naročate servis na tako onesnaženi črpalke se morate obvezno pred pošiljanjem črpalke povezati s podjetjem Grundfos. Predložiti morate informacije o pretočnem mediju, sicer ima Grundfos pravico zavrniti prevzem črpalke.

SQE-NE: Črpalke, ki niso bile uporabljene za črpanje kontaminirane tekočine, lahko pošljete na servisiranje Grundfosu, če so opremljene s potrdilom, da ne ogrožajo zdravje.

Podpisano in overjeno potrdilo o neškodljivosti se mora nahajati v podjetju Grundfos pred pošiljanjem črpalke. Brez tega potrdila zavračamo sprejem.

Morebitni stroški pošiljanja bremenijo pošiljatelja.

9.2 Nadomestni deli/dodatna oprema

Izrečno opozarjamo, da za nadomestne dele in dodatno opremo, ki ni bila dobavljena s strani proizvajalca, Grundfos ne daje homologacij.

Vgradnja in/ali uporaba teh proizvodov lahko zato pod določenimi pogoji negativno vpliva na konstrukcijsko dane lastnosti črpalke in s tem ovira brezhibno delovanje.

Za poškodbe, ki nastanejo zaradi uporabe tovrstnih nadomestnih delov in dodatne opreme, Grundfos ne odgovarja.

Napake, ki jih ni možno odpraviti samostojno, naj opravi le Grundfos servis ali pooblaščen strokovna služba.

Prosimo podajte natančen opis motnje, da se naš serviser lahko pripravi in opremi z ustreznimi nadomestnimi deli.

Tehnični podatki so razvidni iz napisne plošče.

10. Pregled motenj

POZOR

Električni udar



Manjša ali zmerna telesna poškodba

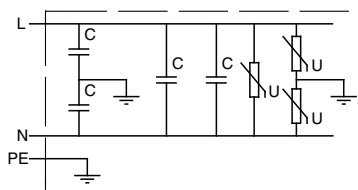
- Pred pričetkom del na črpalci ali motorju, je obvezno potrebno izklopiti napajalno napetost. Preprečiti moramo neželen vklop.

Motnja	Vzrok	Ukrep
1. Črpalka ne dela.	a) Izpadle varovalke na električni instalaciji.	Pregorele varovalke zamenjati. Če varovalke ponovno pregorijo, je potrebno prekontrolirati električne inštalacije in kabel.
	b) Sprožilo se je tokovno zaščitno ali napetostno zaščitno stikalo.	Ponovno vklopiti zaščitno stikalo.
	c) Ni napajanja.	Povezati se s podjetjem za distribucijo električne energije.
	d) Sprožila se je prenapetostna zaščita.	Pregledati, ali je motor/črpalka blokirana.
	e) Črpalka/podvodni kabel v okvari.	Črpalko/kabel popraviti/menjati.
	f) Previsoka ali oziroma prenizka napetost.	Prekontrolirati napajalno napetost.
2. Črpalka dela, vendar ne črpa vode.	a) Zaprt zaporni ventil.	Odpreti ventil.
	b) Ni vode ali prenizki nivo vode v vodnjaku.	Glej 3 a.
	c) Povratni ventil je blokirano v zaprtem položaju.	Iz vleči črpalke in očistiti ali menjati ventil.
	d) Vstopno sito je zamašeno.	Iz vleči črpalke in očistiti vstopno sito.
	e) Pokvarjena črpalke.	Črpalke očistiti/menjati.
3. Črpalke dela z zmanjšano zmogljivostjo.	a) Potopna globina je večja od predvidene.	Povečati vgradno globino, zmanjšati zmogljivost črpalke ali zamenjati za model, ki ima manjšo zmogljivost.
	b) Ventili tlačnega voda so deloma zaprti/blokirani.	Servisirati ventile in jih očistiti/menjati.
	c) Tlačni vod je zaradi umazanije deloma zamašen.	Očistiti/menjati tlačni vod.
	d) Blokirano povratni ventil črpalke.	Iz vleči črpalke in očistiti/menjati ventil.
	e) Črpalke in dvižni vod deloma zamašena.	Iz vleči črpalke, demontirati, očistiti ali menjati. Očistiti cev.
	f) Črpalke v okvari.	Črpalke očistiti/menjati.
	g) Netesna mesta na cevni vod.	Prekontrolirati cevi in popraviti.
	h) Dvižna cev v okvari.	Menjati dvižno cev.
	i) Prenizka napetost.	Prekontrolirati napajalno napetost.

Motnja	Vzrok	Ukrep
4. Pogosto vklopjanje in izklopjanje.	a) Razlika tlačnega stikala med vklopnim in izklopnim pritiskom je premajhna.	Povečati diferenco. Pri tem izklopni pritisk ne sme presežati obratovalni pritisk tlačne posode, vklopni pritisk pa mora biti dovolj visok, da zagotavlja zadostno vodno oskrbo.
	b) Elektrode krmiljenja vodnega nivoja ali stikala vodnega nivoja v posodi niso pravilno montirani.	Nastaviti intervale elektrod/stikala vodnega stanja, tako da je med vklopom in izklopom črpalke dovolj časa. Upoštevati navodila za montažo in obratovanje uporabljenih avtomatskih naprav. Če intervalov med vklopom in izklopom ni mogoče nastaviti z avtomatskimi napravami, zmanjšati zmogljivost črpalke s tlačnim ventilom.
	c) Povratni ventil je netesen ali je blokiran v delno odprti poziciji.	Izvlечи črpalke in očistiti/menjati povratni ventil.
	d) Nihanja napajalne napetosti.	Prekontrolirati napajalno napetost.
	e) Previsoka temperatura motorja.	Prekontrolirati temperaturo vode.

10.1 Merjenje izolacijske upornosti

Merjenje izolacijske upornosti na črpalakah SQ/SQE ni dovoljeno, ker se v njih vgrajena elektronika lahko poškoduje, glej sliko 13.



TM02 0689 5000

Slika 13

11. Preverjanje električne napetosti

OPOZORILO

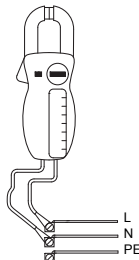
Električni udar



Smrt ali resna telesna poškodba

- Pred pričetkom del na črpalci ali motorju, je obvezno potrebno izklopiti napajalno napetost. Preprečiti moramo neželen vklop.

1. Omrežna napetos



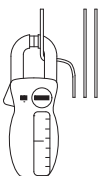
TM00 1371 4904

Izmeriti napetost med fazo in ničelnim vodom (efektivni merilnik vrednosti). Voltmeter vezati na priključne sponke.

Prikazana napetost pri obratovanju ne sme odstopati od napetostnega področja, navedenega v odstavku 5. *Električni priključek*.

Velika napetostna nihanja kažejo na slabo električno oskrbo. Črpalco je potrebno izklopiti, dokler napaka ni popravljena.

2. Odjemni tok



TM00 1372 5082

Jakost toka v vsaki fazi (efektivna merilna naprava) izmeriti, medtem ko črpalca premaguje konstanten pritisk črpanja (po možnosti pri pri največji obremenitvi motorja).

Maksimalni tok, glej napisno tablico.

Če prekoračimo maksimalni delovni tok, so možne sledeče napake:

- Slab stik vodnika v kablskem priključku.
- Prenizka omrežna napetost. Glej točko 1.

12. Varstvo okolja

Pri uporabi, obratovanju, skladiščenju in transportu je potrebno upoštevati določene predpise o varstvu okolja in lokalna določila o ravnanju z nevarnimi snovmi.

OPOZORILO

Jedka snov

Smrt ali resna telesna poškodba



- Pri izključitvi črpalke moramo poskrbeti, da se v črpalci ne nahajajo ostanki nevarnih snovi.

S tem preprečimo delovne poškodbe in onesnaževanje okolja.

Po potrebi se posvetujte s podjetjem Grundfos ali z lokalnimi oblastmi.

13. Odstranitev

Proizvod in njegovi deli morajo biti odstranjeni na okolju prijazen način:

1. Uporabite javna ali zasebna podjetja za odvoz odpadkov.
2. Če to ni mogoče, stopite v stik z najbližjo Grundfosovo izpostavo ali servisno delavnico.

Pridržujemo si pravico do tehničnih sprememb.

Slovenčina (SK) Návod na montáž a prevádzku

Preklad pôvodnej anglickej verzie

OBSAH

	Strana
1. Symboly použité v tomto návode	336
2. Použitie	337
2.1 Účel použitia	337
3. Technické dáta	338
3.1 Uskladnenie	338
3.2 Hladiny hlučnosti	338
4. Príprava na montáž	338
4.1 Plnenie motorovej kvapaliny	338
4.2 Príprava na inštaláciu	338
4.3 Teplota média/chladenie motora	339
5. Elektrické pripojenie	340
5.1 Elektrické pripojenie - všeobecne	340
5.2 Ochrana motora	340
5.3 Pripojenie motora	340
6. Montáž	341
6.1 Všeobecne	341
6.2 Spojenie motora s čerpadlom	341
6.3 Odstránenie spätného ventilu	341
6.4 Montáž zástrčky kábla na motor	342
6.5 Montáž ochranných líšt kábla	342
6.6 Výpočet kábla	343
6.7 Spojenie kábla	344
6.8 Pripojenie stúpačky	344
7. Uvedenie do prevádzky	345
8. Prevádzka	345
8.1 Minimálny prietok	345
8.2 Výber tlakovej membránovej nádoby, nastavenie jej plniaceho tlaku a tlakového spínača	345
8.3 Nadmerný tlak systému vrtu	346
8.4 Zabudovaná ochrana	347
9. Údržba a servis	347
9.1 Kontaminované čerpadlá	347
9.2 Náhradné diely/príslušenstvo	347
10. Prehľad porúch	348
10.1 Meranie	349
11. Kontrola prívodu elektriny	350
12. Ochrana životného prostredia	350
13. Likvidácia výrobku po skončení jeho životnosti	350



Pred inštaláciou si prečítajte tento dokument. Montáž a prevádzka musia byť v súlade s miestnymi nariadeniami a predpismi bezpečnosti práce.

Tento produkt môžu používať deti od 8 rokov a osoby so zníženými fyzickými, zmyslovými alebo mentálnymi schopnosťami, alebo bez skúseností a znalostí, ak sú pod dohľadom alebo dostali inštrukcie o bezpečnom používaní produktu a rozumujú prípadným rizikám. Deti sa s produktom nesmú hrať. Deti nesmú produkt čistiť a vykonávať jeho užívateľskú údržbu bez dozoru.



1. Symboly použité v tomto návode

NEBEZPEČENSTVO

Upozorňuje na nebezpečnú situáciu, ktorá spôsobí smrť alebo vážne zranenie, pokiaľ sa jej nezabráni.

VAROVANIE

Upozorňuje na nebezpečnú situáciu, ktorá môže spôsobiť smrť alebo vážne zranenie, pokiaľ sa jej nezabráni.

POZOR

Upozorňuje na nebezpečnú situáciu, ktorá môže spôsobiť ľahké alebo stredne ťažké zranenie, pokiaľ sa jej nezabráni.

Text priradený k trom symbolom nebezpečenstva NEBEZPEČENSTVO, VAROVANIE a POZOR bude štruktúrovaný týmto spôsobom:

VÝSTRAŽNÉ SLOVO



Popis nebezpečenstva

Následky ignorovania varovania.

- Opatrenie pre zabránenie nebezpečenstvu.



Modrý alebo šedý krúžok s bielym grafickým symbolom upozorňuje, že je nutné prijať opatrenie pre zabránenie nebezpečenstvu.



Červený alebo šedý krúžok s diagonálnym pruhom, podľa možnosti s čiernym grafickým symbolom, upozorňuje, že opatrenie nemá byť prijaté alebo musí byť pozastavené.



Nedodržanie týchto pokynov môže spôsobiť poruchy alebo poškodiť zariadenie.



Tipy a rady, ktoré Vám uľahčia prácu.

2. Použitie

VAROVANIE



Úraz elektrickým prúdom

Smrť alebo vážny úraz

- Čerpadlo sa nesmie používať v prípade, že sa vo vode nachádzajú ľudia.

Na konci tohto návodu na prevádzku sú kópie výkonových štítkov motora a čerpadla.

Prv ako spustíte čerpadlo do vrtu, musíte vyplniť túto stranu relevantnými dátami.

Tento návod na montáž a prevádzku musí byť uložený na suchom mieste v blízkosti miesta inštalácie čerpadla.

2.1 Účel použitia

Čerpadlá **SQ** a **SQE** sú vhodné na použitie pre čerpanie čistých kvapalných neagresívnych a nevybušných médií bez pevných alebo vláknitých nečistôt.

Typické príklady použitia:

- Dodávka vody z podzemných zdrojov pre
 - rodinné domy
 - malé vodárne
 - malé zavlažovacie sústavy napr. v skleníkoch.
- Prečerpávanie kvapalín v nádržiach.
- Zvyšovanie tlaku.

Čerpadlá **SQE-NE** sú navrhnuté na čerpanie riedkych, čistých, neagresívnych a nevybušných kvapalín, ktoré neobsahujú mechanické ani vláknité nečistoty.

Tieto čerpadlá sú vhodné na čerpanie kontaminovanej spodnej vody, prípadne spodnej vody obsahujúcej kyslé uhličitany, ktorých zdrojom sú napr.:

- skládky odpadov
- skládky chemikálií
- priemyselné oblasti
- benzínové stanice
- zariadení pre ochranu životného prostredia.

Čerpadlá **SQE-NE** sa môžu použiť aj na vzorkovanie a monitorovanie a do istej miery aj v rámci úpravnej vody.

Informácia platná pre všetky typy čerpadiel

Maximálny obsah piesku v čerpanej vode môže byť 50 g/m³. Väčší obsah piesku zredukuje životnosť čerpadla a zvyšuje nebezpečenstvo zadretia obežného kola.

Dôležité Pri čerpaní média s viskozitou odlišnou od viskozity vody sa prosím spojte s Grundfosom.

Hodnoty pH:

SQ a SQE: je to 5-9.

SQE-NE: spojte sa prosím so zastúpením výrobcu.

Teplota čerpanej kvapaliny

Teplota čerpanej kvapaliny nesmie prevýšiť 35 °C.

3. Technické údaje

Napájacie napätie

1 x 200-240 V - 10 %/+ 6 %, 50/60 Hz, PE.
Prevádzka s generátorom: Výkon generátora musí mať minimálne takú hodnotu, aká je hodnota výkonu motora P_1 [kW] + 10 %.

Nábehový prúd

Nábehový prúd zodpovedá najvyššiemu údaju uvedenému na typovom štítku motora.

Účinník

PF = 1.

Motorová kvapalina

Typ SML 2.

Kábel motora

Dĺžka 1,5 m; 3 x 1,5 mm², PE.

Teplota čerpanej kvapaliny

Max. 35 °C.

Pripojovacie potrubie

SQ 1, SQ 2, SQ 3: Rp 1 1/4.

SQ 5, SQ 7: Rp 1 1/2.

Priemer čerpadla

74 mm.

Priemer vrtu

Min. 76 mm.

Inštalčná hĺbka

Max. 150 m pod ustálenú výšku hladiny.
Pozri odsek [6.8.2 Inštalčná hĺbka](#).

Čistá váha

Max. 6,5 kg.

3.1 Uskladnenie

Skladovacia teplota: -20 °C až +60 °C.

3.1.1 Zaistenie proti zamrznutiu

Ak bude čerpadlo uskladnené po použití, treba zabezpečiť aby bolo uskladnené v nemrznúcich priestoroch, alebo aby bol motor naplnený nemrznúcou kvapalinou.

Motor nesmie byť skladovaný bez motorovej kvapaliny.

3.2 Hladiny hlučnosti

Hladina hlučnosti čerpadla leží pod medznou hodnotou hladiny stanovenej smernicou: ES č. 2006/42/EC pre priemyselné zariadenia.

4. Príprava na montáž

Grundfos ponorné motory MS 3 a MSE 3 sú vybavené vodou mazanými klznými ložiskami. Ďalšie mazanie nie je nutné.

Ponorné motory sú naplnené mazacou kvapalinou Grundfos SML 2 vo výrobnom závode.

Táto kvapalina je mrazuvzdorná do -20 °C a je konzervovaná, čím sa bráni tvorbe baktérií.

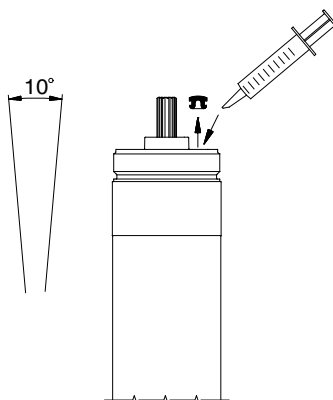
Stav kvapaliny je rozhodujúci pre životnosť ložísk a tým aj celého motora.

4.1 Plnenie motorovej kvapaliny

V prípade ak nastane únik alebo strata motorovej kvapaliny, motor musí byť doplnený motorovou kvapalinou Grundfos SML 2.

Motor sa dopĺňa nasledovne:

1. Demontovať ochranné lišty kábla a motor oddeliť od čerpadla.



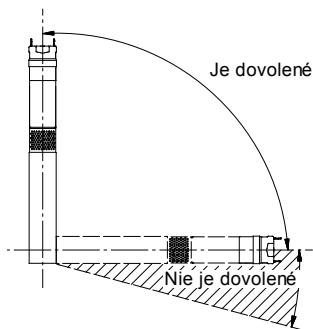
Obr. 1

2. Motor postaviť vertikálne so sklonom 10 °.
 3. Odskrutkovať skrutkovačom alebo podobným nástrojom plniacu zátku.
 4. Motor naplniť pomocou striekačky.
 5. Motor potriať, aby sa eventuálne odstránil z komory vzduch.
 6. Plniacu zátku znovu nasadiť a pritiahnuť.
 7. Motor spojiť s čerpadlom.
 8. Namontovať ochranné lišty kábla.
- Čerpadlo je teraz pripravené na osadenie.

4.2 Príprava na inštaláciu

Čerpadlo môže byť inštalované vertikálne alebo horizontálne. Uhol hriadefu čerpadla **nesmie**

prekročiť 90 ° od vertikálnej, pozri obr. 2.



Obr. 2

Pokiaľ je čerpadlo namontované horizontálne, napr. v nádrži, a je nebezpečie jeho nedostatočného chladenia alebo jeho zanesenia usadeninami, musí byť opatrené ochranným plášťom.

Pre hĺbku inštalácie-pozri odsek [6.8.2 Inštalácia hĺbka](#).

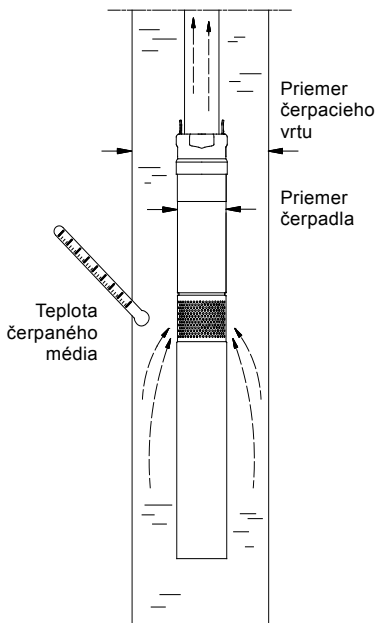
4.3 Teplota média/chladenie motora

Na obr. 3 vidno čerpadlo SQ/SQE inštalované vo vrte. Čerpadlo je v prevádzke.

Na obr. 3 je ilustrované nasledovné:

- priemer čerpaceho vrtu
- priemer čerpadla
- teplota čerpaného média
- prúdenie okolo motora až po sací kôš.

TM01 1375 4397



Obr. 3

Je dôležité dodržať maximálnu prevádzkovú teplotu média 35 °C kvôli zabezpečeniu dostatočného chladenia motora.



Priemer čerpaceho vrtu musí byť minimálne 76 mm (t.j. cca 3").

Motor by mal byť inštalovaný nad filtrom vrtu. Ak je použitý chladiaci plášť môže byť čerpadlo inštalované vo vrte voľne.



Čerpadlo môže pracovať proti uzavretej stúpačke max. 5 min. Pri uzavretej stúpačke nie je motor obtekaný a chladený, vzniká teda nebezpečie prehriatia motora a čerpadla.

Pokiaľ je aktuálna teplota čerpanej kvapaliny vyššia ako je špecifikovaná hodnota, alebo sú prevádzkové podmienky odlišné od špecifikácie, môže sa stať, že čerpadlo vypne. Potom sa prosím spojte so zastúpením Grundfos.

TM01 0518 1297

5. Elektrické pripojenie

5.1 Elektrické pripojenie - všeobecne

Elektrické pripojenie musí urobiť odborný pracovník v súlade s miestnymi predpismi a platnými normami.

VAROVANIE

Úraz elektrickým prúdom

Smrť alebo vážny úraz

- Pred začiatkom prác na čerpadle sa musí napájacie napätie bezpodmienečne vypnúť.
- Musí sa zaistiť, aby ho nikto nemohol nepredvídavo zapnúť.
- Čerpadlo musí byť pripojené k externému hlavnému spínaču elektriny s minimálnym odstupom kontaktov 3 mm na oboch póloch.
- Ak sa poškodí kábel motora, musí byť vymenený autorizovaným servisným partnerom Grundfos alebo rovnako kvalifikovanou osobou aby sa vyhol zbytočnému riziku.



Údaje o hodnote napájacieho napätia, otypovanej max. prúdovej hodnote a účinníka (PF) sú uvedené na výkonovom štítku motora.

Tolerancia požadovaného napätia pre Grundfos ponorné motory, meraného na svorkách motora je - 10 %/+ 6 % menovitého napätia pri trvalej prevádzke (včítane kolísania napájacieho napätia a strát v prírodnom kábli).

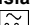
VAROVANIE

Úraz elektrickým prúdom

Smrť alebo vážny úraz

- Ak je čerpadlo pripojené na elektrickú sústavu v ktorej je predradený prúdový chránič, **musí** tento chránič vypínať pri vyskytnutí sa poruchových prúdov s jednosmernou zložkou (pulzujúci jednosmerný prúd).



Použitie prúdové ističe **musia** byť označené nasledovným symbolom: .

Napájacie napätie:

1 x 200-240 V - 10 %/+ 6 %, 50/60 Hz, PE.

Prúdový odber možno merať len presným meracím prístrojom pre meranie nesínusových prúdov (RMS). Ostatné meracie prístroje ukazujú hodnoty ktoré sú odlišné od aktuálnych.

Na čerpadlách SQ/SQE môže byť nameraný unikajúci prúd 2,5 mA pri 230 V, 50 Hz. Unikajúci prúd je úmerný napájaciemu napätia.

Čerpadlá SQE a SQE-NE môžu byť napojené na plnú motorovú ochranu typu CU 300 alebo CU 301.



Čerpadlo nesmie byť nikdy pripojené na kondenzátor, ani na inú ovládaciu jednotku než je CU 300 alebo CU 301.

Čerpadlo nesmie byť pripojené na externý menič frekvencie.

5.2 Ochrana motora

Motory majú vstavanú tepelnú nadprúdovú ochranu a nevyžadujú si žiadnu ďalšiu motorovú ochranu.

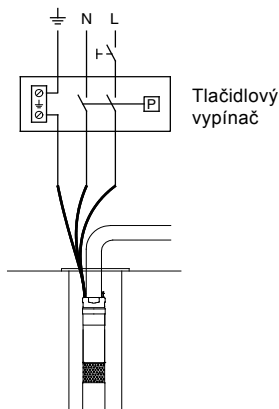
5.3 Pripojenie motora

Motory majú vstavané štartovacie zariadenie a môžu byť pripojené priamo na sieť.

Čerpadlá sa zapínajú resp. vypínajú spravidla tlačidlovým vypínačom, pozri obr. 4.



Tlačidlový vypínač musí byť navrhnutý na I_{max} príslušného typu čerpadla.



Obr. 4

6. Montáž

6.1 Všeobecne

VAROVANIE

Úraz elektrickým prúdom

Smrť alebo vážny úraz



- Pred začiatkom všetkých prác na čerpadle, alebo na motore musí byť napájacie napätie bezpodmienečne odpojené. Musí byť zaistené, aby ho nikto nemohol nepredvídavo zapojiť.



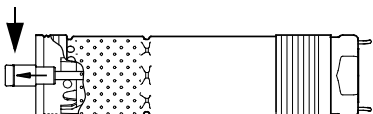
Čerpadlo sa nesmie zavesiť alebo ťahať za sieťový kábel.

Každé čerpadlo je dodané s priloženým výkonovým štítkom ktorý musí byť vyplnený a pripevnený viditeľne v blízkosti inštalácie.

6.2 Spojenie motora s čerpadlom

Motor sa spojí s čerpadlom nasledovne:

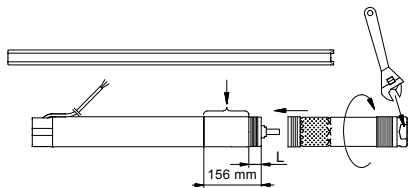
1. Motor upevníť horizontálne jednou skrutkou, pozri obr. 6.
2. Vytiahnite hriadeľ čerpadla do pozície podľa obr. 5.



TM02 8425 5203

Obr. 5

3. Ukončenie hriadeľa motora namazať dodaným mazivom.
4. Čerpadlo naskrutkovať na motor a pritiahnúť kľúčom (55 Nm).
Pozor: Hriadeľ čerpadla musí zapadať do hriadeľa motora.
Maticový kľúč k zatahnutiu nasadíte na upínacie plochy čerpadla k tomu určené, pozri obr. 6.



TM01 2854 2299

Obr. 6

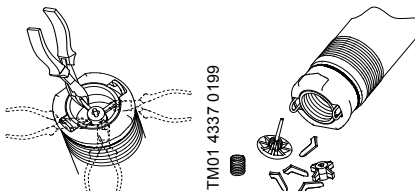
Motor (P2) [kW]	L [mm]
0,70	120
1,15	102
1,68	66
1,85	66

Pokiaľ sú čerpadlo a motor správne zmontované nesmie medzi nimi zostať žiadna medzera.

6.3 Odstránenie spätného ventilu

V prípade, že je požadované čerpadlo bez spätného ventilu, dá sa ventil odstrániť nasledujúcim spôsobom:

1. S použitím vhodného nástroja odstrihnúť ramienka vedenia ventilu, pozri obr. 7.
2. Obrátiť čerpadlo hornou časťou dole.
3. Skontrolovať či všetky uvoľnené časti vypadli z čerpadla.



TM01 4337 0199

TM01 4338 0199

Obr. 7



Čerpadlo SQE-NE je dodávané bez spätného ventilu.

Opätovné namontovanie spätného ventilu Vám môže previesť servis Grundfos.

6.4 Montáž zástrčky kábla na motor

VAROVANIE

Úraz elektrickým prúdom

Smrť alebo vážny úraz



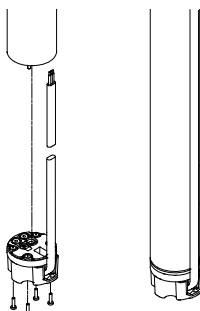
- Zátka motora nemôže byť odstránená užívateľom za žiadnych okolností.
- Káblová zástrčka musí byť montovaná, alebo odmontovaná autorizovaným servisom Grundfos alebo ním poverenou osobou.

Nasledovný popis je určený výhradne pre servisný personál. Ak motorový kábel je vymenený, pozri odsek [5.1 Elektrické pripojenie - všeobecne](#).

Dodaná káblová zástrčka je z výrobného závodu zakonzervovaná mazivom. Zaisťte, aby bola pred inštaláciou dôkladne odmastená.

Namontujete ju takto:

1. Preverte či je korektný typ, prierez a dĺžka kábla.
2. Preverte či je miestna prípojka správne uzemnená.
3. Preverte či je zástrčka čistá a suchá. Preverte či je voľné tesnenie správne nasadené.
4. Zasuňte káblovú zástrčku do motorovej zásuvky. Zásuvka kábla sa nesmie montovať nesprávne pozri obr. 8.



Obr. 8

5. Nasadte a upevnite 4 skrutky (1 - 1,5 Nm), pozri obr. 8.

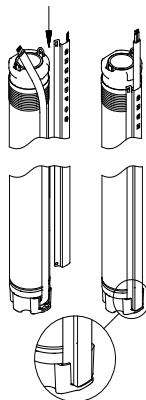
Pokiaľ sú čerpadlo a motor správne zmontované nesmie medzi nimi zostať žiadna medzera.

TM02 9605 3504

6.5 Montáž ochranných lišt kábla

Ochranné lišty kábla namontujeme nasledovne:

1. Plochý ponorný kábel nasunieme do ochrannej lišty na plocho.
2. Zasuňte ochrannú lištu kábla do drážky na káblovej zástrčke. Horný koniec okrajových plôch ochrannej lišty kábla musí byť v jednej rovine s horným koncom plášťa telesa čerpadla, pozri obr. 9.



Obr. 9

3. Ochrannú lištu kábla upevnite dvoma závitoreznými skrutkami (súčasť dodávky) k saciemu košu čerpadla, pozri obr. 10.



Obr. 10

TM02 9613 3504

TM01 4427 0299

6.6 Výpočet kábla

Grundfos ponorné káble je možné dodať pre rôzne inštalácie.



Prierez ponorného prívodového kábla musí byť dostatočne nadimenzovaný, tak aby vyhovoval napäťovým požiadavkám podľa odseku [6.1 Všeobecne](#).

Nižšie uvedené tabuľkové hodnoty sú vypočítané z nasledujúcej rovnice:

$$q = \frac{I \times 2 \times 100 \times PF \times L \times \rho}{U \times \Delta U}$$

q = prierez ponorného prívodného kábla [mm²].

I = menovitý maximálny prúd motora [A].

PF = 1,0.

L = dĺžka ponorného prívodného kábla [m].

ρ = merný odpor: 0,02 [Ω mm²/m].

U = menovité napätie [V].

ΔU = pokles napätia [%] = 4 %.

Hodnota poklesu napätia 4 % zodpovedá ustanoveniu IEC 3-64, séria HD-384.

Výpočtom dostaneme nasledujúce maximálne dĺžky kábla pri napájacom napätí 240 V:

Maximálna dĺžka kábla [m]							
Motor (P2)	I_N	Parametre kábla					
		1,5 mm ²	2,1 mm ² / 14 AWG	2,5 mm ²	3,3 mm ² / 12 AWG	4 mm ²	6 mm ²
[kW]	[A]						
0,7	5,2	80	112	133	176	213	320
1,15	8,4	50	69	83	109	132	198
1,68	11,2	37	52	62	82	99	149
1,85	12	35	49	58	76	92	139

6.7 Spojenie kábla

Doporučuje sa spojiť ponorný prívodný kábel s motorovým káblom spojkou Grundfos, typ KM.

Sada káblovej koncovky typu KM

Prierez	Číslo výrobku
1,5 až 6,0 mm ²	96021473

V prípade že požadujete väčší prierez kábla obráťte sa láskavo na zastúpenie Grundfos.

6.8 Prípojenie stúpačky

Ak sa pri pripojení stúpačky k čerpadlu používa nejaký nástroj, napr. reťazový ťahovák, musí sa s čerpadlom manipulovať iba uchopením za jeho výtláčné teleso.

Na pripojenie plastových trubiek je treba umiestniť medzi čerpadlo a prvú sekciu potrubia prítlačnú spojku.

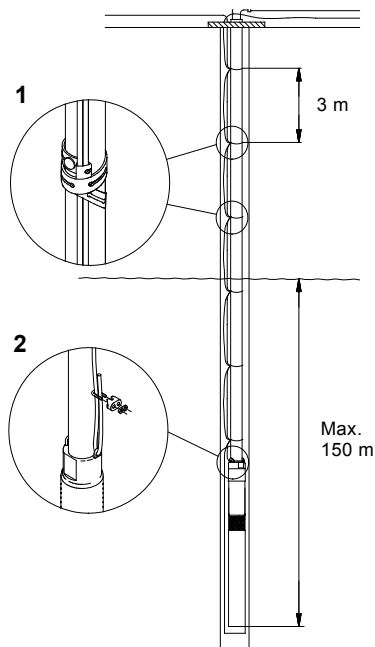


U čerpadiel napojených na plastové potrubie, je potrebné v inštalačnej hĺbke zohľadniť aj rozpínavosť rúr.

V prípadoch kde sa používa prírubové potrubie je treba urobiť v prírubách drážky - vodítka ponorného prívodného kábla.

Na obr. 11 je znázornená inštalácia čerpadla s nasledovnými údajmi:

- Použitie káblových úchytiak, pol. 1 s uvedením vzdialenosti medzi jednotlivými úchytkami.
- Umiestnenie oceleového lana, pol. 2.
- Maximálna inštalačná hĺbka pod statickou vodnou hladinou.



Obr. 11

6.8.1 Káblové úchytky

Káblové úchytky musia byť nasadené vo vzdialenostiach po troch metroch, pozri obr. 11.

V prípade použitia plastového potrubia musí byť medzi jednotlivými káblovými úchytkami ponechaná určitá vôľa s ohľadom na predĺženie plastových trubiek pri zatažení.

V prípade použitia prírubových spojení sa musia káblové úchytky umiestniť nad a pod každým prírubovým spojom.

TMO1 0480 4397

6.8.2 Inštaláčna hĺbka

Maximálna inštaláčna hĺbka pod ukľudnenou vodnou hladinou: 150 m, pozri obr. 11.

Minimálna inštaláčna hĺbka pod zníženou vodnou hladinou:

- **Vertikálna inštalácia:**
počas uvádzania do prevádzky a počas prevádzky musí byť čerpadlo stále úplne ponorené.
- **Horizontálna inštalácia:**
čerpadlo musí byť inštalované a prevádzkované 0,5 m pod zníženou vodnou hladinou.
Pokiaľ hrozí nebezpečie že čerpadlo sa zanesie usadeninami, musí byť bezpodmienečne vsadené do chráničky.

6.8.3 Spúšťanie čerpadla

Odporúčame čerpadlo zaistiť oceľovým lanom, pozri obr. 11, poz. 2.

Oceľové lano povolil tak, aby nebolo napnuté a prípevné ho pomocou lanovej svorky na hlavu vrtu.



Pri spúšťaní do vrtu ani pri vyťahovaní z vrtu nepridržiavajte čerpadlo za prívodný kábel motora.



Čerpadlo sa nesmie zavesiť alebo ťahať za sieťový kábel.

7. Uvedenie do prevádzky

Treba zaistiť, aby výkon čerpadla nebol väčší ako je výdatnosť vrtu.

Čerpadlo smie byť zapnuté až vtedy, keď je úplne ponorené v čerpanom médiu.

Čerpadlo zapnúť a vypnúť ho až potom keď bude čerpané médium znovu priezračne čisté. Priskoré vypnutie zvyšuje nebezpečenstvo zablokovania čerpadla alebo spätného ventilu.

8. Prevádzka

8.1 Minimálny prietok

K zaisteniu dostatočného chladenia motora čerpadla, nesmie klesnúť prietok vody pod 50 l/h. Prietok vody môže však za určitých okolností náhle poklesnúť. Príčinou tohto môže byť to, že výkon čerpadla je väčší, ako je prítok vody do vrtu. Čerpadlo sa musí vypnúť a porucha sa musí odstrániť.



V čerpadle zabudovaná ochrana proti behu na sucho funguje len v rámci doporučeného pracovného rozsahu čerpadla.

8.2 Výber tlakovej membránovej nádoby, nastavenie jej plniaceho tlaku a tlakového spínača

VAROVANIE



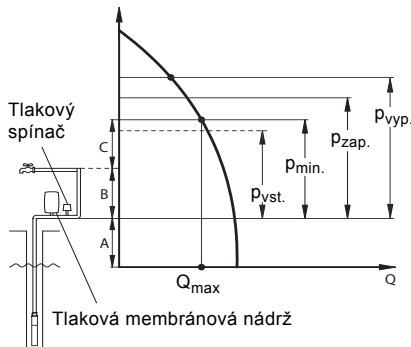
Natlakovaný systém

Smrť alebo vážny úraz

- Zariadenie musí byť navrhnuté na maximálny výkonový tlak čerpadla.

Tým, že čerpadlo má v sebe zabudovaný spúšťač pre mäkký štart, ktorý spôsobuje to, že nábehový čas čerpadla trvá 2 sek, bude tlak na tlakovom spínači a v tlakovej membránovej nádrži po zapnutí čerpadla nižší, ako je nastavená hodnota zapínacieho tlaku ($p_{zap.}$) na tlakovom spínači. Tento nižší tlak sa nazýva minimálnym tlakom ($p_{min.}$).

Tlak $p_{min.}$ zodpovedá požadovanému minimálnemu tlaku v najvyššie položenom odbernom mieste + dopravnej výške a tlakovej strate v potrubí medzi tlakovým spínačom, alebo membránovou tlakovou nádržou a najvyšším odberným miestom ($p_{min.} = B + C$), pozri obr. 12.



Obr. 12

- A: Dopravná výška + tlaková strata v potrubí medzi poklesnutou hladinou vody a tlakovou membránovou nádržou.
- B: Dopravná výška + tlaková strata v potrubí medzi tlakovou membránovou nádržou a najvyšším odberným miestom.
- C: Minimálny tlak v najvyššie položenom odbernom mieste.



Skontrolujte, či zvolené čerpadlo môže vyvinúť vyšší tlak, ako je hodnota $p_{vyp.} + A$.

- $p_{vst.}$: Plniaci tlak tlakovej membránovej nádrži.
- $p_{min.}$: Požadovaný minimálny tlak.
- $p_{zap.}$: Zapínací tlak nastavený na tlakovom spínači.
- $p_{vyp.}$: Vypínací tlak nastavený na tlakovom spínači.
- $Q_{max.}$: Maximálny prietok pri $p_{min.}$.

TM00 6445 3795

8.3 Nadmerný tlak systému vrtu

Za účelom vytvorenia ochrany proti nadmernému tlaku nainštalujte tlakový poistný ventil v smere ústia vrtu. Požadovaná hodnota tlakového poistného ventilu musí byť aspoň 30 psi nad nastavením tlaku.

Pokiaľ inštalujete poistný ventil, odporúčame, aby ste ho pripojili ku vhodnému odtokovému bodu.

V nasledovnej tabuľke je možné v závislosti od hodnôt $p_{\min.}$ a $Q_{\max.}$ vybrať zodpovedajúcu veľkosť tlakovej membránovej nádrže, nastavenie jej plniaceho tlaku a nastavenia hodnôt zapínacieho a vypínacieho tlaku tlakového spínača.

Príklad:

$p_{\min.} = 35$ m v. stl., $Q_{\max.} = 2,5$ m³/h.

Na základe týchto údajov je možné z uvedenej tabuľky získať nasledovné hodnoty:

Minimálna veľkosť tlakovej membránovej nádrže = 33 l.

$p_{\text{vst.}} = 31,5$ m v. stl.

$p_{\text{zap.}} = 36$ m v. stl.

$p_{\text{vyp.}} = 50$ m v. stl.

$p_{\min.}$ [m]	$Q_{\max.}$ [m ³ /h]																		$p_{\text{vst.}}$ [m]	$p_{\text{zap.}}$ [m]	$p_{\text{vyp.}}$ [m]
	0,6	0,8	1	1,2	1,5	2	2,5	3	3,5	4	4,5	5	5,5	6	6,5	7	7,5	8			
Min. veľkosť membránovej nádoby [liter]																					
25	8	8	18	18	18	18	24	33	33	50	50	50	50	80	80	80	80	80	22,5	26	40
30	8	8	18	18	18	24	33	33	50	50	50	50	80	80	80	80	80		27	31	45
35	8	18	18	18	18	24	33	33	50	50	50	80	80	80	80	80			31,5	36	50
40	8	18	18	18	18	24	33	50	50	50	80	80	80	80	80				36	41	55
45	8	18	18	18	24	33	33	50	50	50	80	80	80	80					40,5	46	60
50	8	18	18	18	24	33	50	50	50	80	80	80	80						45	51	65
55	18	18	18	18	24	33	50	50	50	80	80	80							49,5	56	70
60	18	18	18	18	24	33	50	50	80	80	80	80							54	61	75
65	18	18	18	24	24	33	50	50	80	80	80	80							58,5	66	80

1 m v. stl. = 0,098 bar.

8.4 Zabudovaná ochrana

Motor čerpadla má v sebe zabudovanú elektronickú jednotku, ktorá ho chráni pri rôznych prevádzkových situáciách.

Pri preťažení odstaví zabudovaná nadprúdová ochrana čerpadlo na dobu 5 min. Po tejto perióde sa čerpadlo opätovne pokúsi zapnúť.

Ak sa čerpadlo vypne z dôvodu behu na sucho, po 5 min. sa automaticky opätovne zapne.

Ak sa čerpadlo znovu zapne a vrt (odčerpávaný priestor) je prázdny, čerpadlo sa automaticky vypne po 30 sekundách.

Resetovanie (spätne nastavenie) čerpadla:

Na dobu 1 min. odpojte prívod elektrického prúdu.

Motor čerpadla je chránený v týchto prípadoch:

- beh čerpadla na sucho
- impulzné prepätie (až 6000 V)
V oblastiach s väčšou intenzitou bleskov sa vyžaduje externá ochrana proti blesku.
- prepätie
- podpätie
- preťaženie
- prehriatie.

Čerpadlá SQE/ motory MSE 3:



Vypínacie limity behu na sucho u motorov MSE 3 prostredníctvom jednotiek CU 300 alebo CU 301 môžu byť nastavené aj pre iné aplikácie.

9. Údržba a servis

Za normálnych okolností si čerpadlá nevyžadujú údržbu.

Môže u nich dochádzať k zanášaniam a opotrebeniu niektorých súčastí. Firma Grundfos preto k nim dodáva servisné súpravy a náradie.

Na požiadanie môžete obdržať Grundfos servisné manuály.

Čerpadlá môžu byť prehliadnuté v servisných strediskách firmy Grundfos.

9.1 Kontaminované čerpadlá



Ak sa čerpadlo použije k čerpaniu zdraviu škodlivých, alebo jedovatých médií, takéto čerpadlo sa klasifikuje ako kontaminované.

V takomto prípade sa pri požiadavke na servisné práce, musia predložiť podrobné informácie o čerpanom médiu.

Pri event. požiadavke na servisné práce na takomto čerpadle, ešte pred jeho zaslaním, je nutné sa bezpodmienečne skontaktovať so servisným strediskom Grundfos. Musia sa predložiť všetky potrebné informácie o čerpanom médiu, inak môže firma Grundfos prijatie takéhoto čerpadla odmietnuť.

SQE-NE: Čerpadlá, ktoré nečerpali kontaminované kvapaliny, je možné zaslať do firmy Grundfos na údržbu event. opravu, pričom k týmto čerpadlám je nutné doložiť doklad osvedčujúci ich nezávadnosť.

Tento potvrdený a podpísaný doklad o nezávadnosti čerpadla je nutné zaslať na servisné oddelenie príslušného zastúpenia firmy Grundfos, a to ešte pred zaslaním čerpadla. Bez tohto dokladu, uvedené čerpadlá firma Grundfos neprevezme.

Eventuálne náklady spojené s odoslaním čerpadla hradí zákazník.

9.2 Náhradné diely/príslušenstvo

Chceme vás dôrazne upozorniť na to, že nami nedodané náhradné diely a príslušenstvo, nepreskúšavame ani neopravujeme.

Zabudovanie alebo použitie takých výrobkov môže za určitých okolností negatívne ovplyvniť a zmeniť konštrukciu daných vlastností čerpadla a tým ho poškodiť.

Za škody, ktoré vzniknú použitím neoriginálnych náhradných dielov a príslušenstva, firma Grundfos nenesie zodpovednosť a je vylúčená aj záruka.

Poruchy, ktoré prevádzkovateľ nie je schopný samostatne odstrániť, by mal odstraňovať jedine servis firmy Grundfos, alebo ním autorizovaná servisná organizácia.

V prípade poruchy, prosíme o presný a podrobný popis vzniknutej prejavujúcej sa poruchy.

Tým sa naši servisní pracovníci vopred pripravia a "vybavia" zodpovedajúcim náhradným dielom.

Technické údaje o čerpadle odčítate z jeho výkonového štítku.

10. Prehľad porúch

POZOR

Úraz elektrickým prúdom

Lahký alebo stredne ťažký úraz



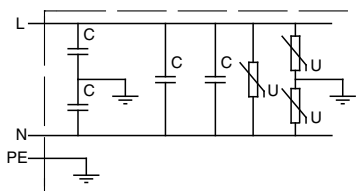
- Pred začiatkom všetkých prác na čerpadle, alebo na motore musí byť napájacie napätie bezpodmienečne odpojené. Musí byť zaistené, aby ho nikto nemohol nepredvídavo zapojiť.

Porucha	Príčina	Odstránenie poruchy
1. Čerpadlo beží.	a) Tavné poistky v elektrickej inštalácii sú spálené.	Vymeniť prepálené poistky. Ak sa tieto opätovne prepália, musí sa preveriť kábel a elektrická inštalácia.
	b) Vypol ochranný spínač chybového prúdu, alebo chybového napätia.	Zapnúť ochranný spínač.
	c) Nie je prívod napätia.	Spojíte sa s príslušným rozvodným závodom elektrární.
	d) Vypla prepäťová ochrana motora.	Preverte, či nie je blokovaný motor/čerpadlo.
	e) Je poškodené čerpadlo/kábel.	Opraviť/vymeniť čerpadlo-kábel.
	f) Vyskytuje sa prepätie alebo podpätie.	Preveriť napájacie napätie.
2. Čerpadlo beží, ale nedodáva vodu.	a) Je uzatvorená armatúra na výtlaku.	Otvoriť armatúru.
	b) Nie je, alebo je nedostatok vody vo vrte.	Pozri 3 a).
	c) Spätná klapka je zablokovaná v uzatvorenej polohe.	Vytiahnite čerpadlo a vyčistite, alebo vymeňte spätnú klapku.
	d) Je upchaté sito na sacej strane.	Vytiahnite čerpadlo a vyčistite sito.
	e) Je poškodené čerpadlo.	Vytiahnite a event. vyčistite, alebo vymeňte čerpadlo.
3. Čerpadlo beží s nižším výkonom.	a) Pokles hladiny je väčší, ako sa predpokladalo.	Čerpadlo umiestnite do väčšej inštalácie. Hĺbky, priškrte ho, alebo nahraďte ho menším modelom s nižším výkonom.
	b) Ventily na výtlaku sú čiastočne uzatvorené/blokované.	Ventily úplne otvorte a event. Vyčistite, alebo vymeňte.
	c) Výtlačné potrubie je čiastočne upchaté (zahrdzavené).	Vyčistite, alebo vymeňte výtlačné potrubie.
	d) Spätná klapka čerpadla je čiastočne zablokovaná.	Vytiahnite čerpadlo a vyčistite resp. vymeňte spätnú klapku čerpadla.
	e) Čerpadlo a výtlačné potrubie sú zanesené nečistotami (usadeninami).	Vytiahnite čerpadlo, demontujte, a vyčistite ho, alebo vymeňte. Vyčistite potrubie.
	f) Pokazené čerpadlo.	Opravte popr. vymeňte čerpadlo.
	g) Netesnosti v potrubí.	Skontrolujte a opravte potrubie.
	h) Je poškodené stúpajúce potrubie.	Vymeňte stúpajúce potrubie.
	i) Podpätie.	Skontrolujte prívod elektr. prúdu.

Porucha	Príčina	Odstránenie poruchy
4. Časté zapínanie a vypínanie čerpadla.	a) Diferencia medzi zapínaním a vypínaním tlakom tlakového spínača je príliš malá.	Zvýšte tlakovú diferenciu. Avšak vypínací tlak nesmie prekročiť prevádzkový tlak membránovej nádrži. Zapínaní tlak musí byť dostatočne vysoký k zaisteniu dostatočného množstva vody.
	b) Elektrody hladinového spínania, alebo hladinový spínač v nádrži nie je správne namontovaný.	Intervaly elektródového/hladinového spínača nastavte tak, aby medzi zapnutím a vypnutím čerpadla bol zodpovedajúci čas. Vid'. Montážne a prevádzkové predpisy pre použité automatické jednotky. Ak nie je možné pomocou automat. jednotiek nastaviť intervaly medzi zap. a vyp. Čerpadla, zredukujte výkon čerpadla príškrttím výtláčnej armatúry.
	c) Je netesná spätná klapka, alebo je v čiastočne otvorenej polohe zablokovaná.	Vytiahnite čerpadlo a vyčistite resp. vymeňte spätnú klapku čerpadla.
	d) Nestabilné napájacie napätie.	Skontrolujte napájacie napätie.
	e) Príliš vysoká teplota motora.	Skontrolujte teplotu vody.

10.1 Meranie

Meranie na elektrickej inštalácii čerpadiel SQ/SQE nie je dovolené, pretože hrozí poškodenie vstavanej elektroniky, pozri obr. 13.



TM02_0689_5000

Obr. 13

11. Kontrola prívodu elektriny

VAROVANIE

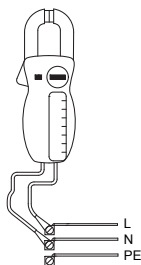
Úraz elektrickým prúdom

Smrť alebo vážny úraz



- Pred začiatkom všetkých prác na čerpadle, alebo na motore musí byť napájacie napätie bezpodmienečne odpojené. Musí byť zaistené, aby ho nikto nemohol nepredvídavo zapojiť.

1. Napájacie napätie

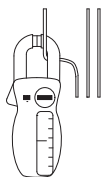


TM00 1371 4904

Zmerajte napätie medzi fázou a nulovým vodičom (RMS prístrojom). Voltmeter pripojte na pripojovacie svorky.

Pripojené napätie sa musí počas prevádzky čerpadla pohybovať v napätovom rozsahu, ako je uvedené v stati [5. Elektrické pripojenie](#). Veľké kolísanie napájacieho napätia poukazuje na závalu v napájacom napätí a čerpadlo musí byť odstavené, až kým sa príčina tohto stavu nezistí, a závala sa neodstráni.

2. Spotreba prúdu



TM00 1372 5082

Zmerajte hodnotu prúdu každej fázy (prístrojom RMS) a to za prevádzky čerpadla pri konštantnej dopravnej výške (ak je možné, tak pri výkone, keď je motor čerpadla najviac zaťažený).

Max. povolenú hodnotu prúdu odčítate z výkonového štítka čerpadla.

Ak sa pri meraní zistí prekročenie maximálnej hodnoty prúdu, príčiny môžu byť nasledovné:

- Vadný spoj vodičov, pravdepodobne v káblovej spojke.
- Príliš nízke napájacie napätie, pozri bod 1.

12. Ochrana životného prostredia

Pri manipulácii, prevádzke, skladovaní a preprave čerpadla dodržiavajte všetky predpisy na ochranu životného prostredia ako aj miestne nariadenia na zaobchádzanie s nebezpečnými látkami.

VAROVANIE

Žieravé látky

Smrť alebo vážny úraz



- Po odstavení čerpadla z prevádzky sa presvedčite, či sa v čerpadle nenachádzajú zbytky event. nebezpečných látok, ktoré by mohli ohroziť zdravie, alebo poškodiť životné prostredie.

V prípade pochybností sa spojte s firmou Grundfos, alebo s miestnymi úradmi na ochranu životného prostredia.

13. Likvidácia výrobku po skončení jeho životnosti

Likvidácia výrobku alebo jeho súčastí musí byť vykonaná v súlade s nasledujúcimi pokynmi a so zreteľom na ochranu životného prostredia:

1. Využite služby miestnej verejnej alebo súkromnej firmy zaoberajúcej sa zberom a spracovávaním odpadu.
2. Ak to nie je možné, kontaktujte najbližšiu pobočku spoločnosti Grundfos alebo jeho servisných partnerov.

Technické zmeny vyhradené.

İÇİNDEKİLER

	Sayfa
1. Bu dokümanda kullanılan semboller	351
2. Genel bilgiler	352
2.1 Uygulamalar	352
3. Teknik veriler	353
3.1 Depolama	353
3.2 Ses basınç seviyesi	353
4. Hazırlıklar	353
4.1 Motor sıvısının doldurulması (gerektiğinde)	353
4.2 Uygulama pozisyonları	354
4.3 Sıvı sıcaklıkları/motorun soğutulması	354
5. Elektrik bağlantıları	355
5.1 Genel bilgiler	355
5.2 Motorun korunması	355
5.3 Motorun bağlantıları	355
6. Montaj	356
6.1 Genel bilgiler	356
6.2 Pompa hidrolik kısmı ile motorunun birleştirilmesi	356
6.3 Çek-valfin çıkarılması (istenmeyen durumlarda)	356
6.4 Motor ile birlikte verilen	357
6.5 Kablo muhafazasının takılması	357
6.6 Kablo ebatları	358
6.7 Elektrik kablosunun ek bağlantısı	359
6.8 Boru bağlantıları	359
7. Çalıştırmaya başlama	360
8. Pompanın çalışması	360
8.1 Minimum akış hızı	360
8.2 Membran tankı seçimi ve tank basıncının ve basınç şalterinin ayarlanması	360
8.3 Kuyu sistem basıncı aşırı yüklenmesi	361
8.4 Kendinden orjinal koruma sistemi	362
9. Bakım ve servis	362
9.1 Kirlenmiş olan pompalar	362
10. Arıza tespit tablosu	363
10.1 Megging	364
11. Ana besleme voltajinin kontrolü	365
12. Çevre faktörleri	365
13. Hurdaya çıkarma	365



Kurulumdan önce bu metni okuyunuz. Kurulum ve kullanım, yerel düzenlemelere ve kabul edilen doğru uygulama kurallarına uygun olmalıdır.



Bu cihaz, 8 yaş ve üzeri çocuklar ve fiziksel, duyuusal veya algısal açıdan sorunlar yaşayan ya da deneyimi veya bilgisi yeterli olmayan kişiler tarafından sadece gözetim altında oldukları veya cihazın nasıl kullanılacağı hakkında bilgilendirildikleri ve ilgili riskleri anladıkları takdirde kullanılabilir.

Çocuklar bu cihazla oynamamalıdır. Gözetimsiz olarak ürünün temizlik ve bakımı çocuklar tarafından yapılmamalıdır.

1. Bu dokümanda kullanılan semboller

TEHLİKE



Kaçınılması halinde ölüm veya ciddi yaralanma ile sonuçlanacak tehlikeli bir durumu belirtir.

UYARI



Kaçınılması halinde ölüm veya ciddi yaralanma ile sonuçlanabilecek tehlikeli bir durumu belirtir.

DIKKAT



Kaçınılması halinde hafif veya orta dereceli yaralanma ile sonuçlanabilecek tehlikeli bir durumu belirtir.

TEHLİKE, UYARI VE DİKKAT tehlike sembolleri ile belirtilen metin, aşağıdaki şekilde yapılandırılacaktır:

UYARI KELİMESİ



Tehlike açıklaması

Uyarının gözardı edilmesinin sonucu.
- Tehlikeden kaçınmak için yapılması gereken.



Beyaz grafik sembolü bir mavi veya gri halka, tehlikeyi önlemek amacıyla bir eylemde bulunulması gerektiğini belirtir.



Köşegen çubuklu, muhtemelen siyah grafik sembolü bir kırmızı veya gri halka, tehlikeyi önlemek amacıyla bir eylemde bulunulması veya eylemin durdurulması gerektiğini belirtir.



Bu talimatların dikkate alınmaması, cihazların arızalanmasına veya hasar görmesine neden olabilir.



İşinizi kolaylaştıracak ipuçları ve tavsiyeler.

2. Genel bilgiler

UYARI



Elektrik çarpması

Ölüm veya ciddi yaralanma
- İnsanlar suyun içerisindeyken pompa kullanılmamalıdır.

412 numaralı sayfada pompa ve motor isim plakalarının kopyalarını bulacaksınız.

SQ/SQE pompası kuyuya indirilmeden önce bu sayfada verilen isim plakalarını pompa üzerindeki bilgilerle aynı olacak şekilde doldurun.

Bu montaj ve kullanım kılavuzu ileride başvurulmak üzere montaj yapılan kuyu yakınında bir yerde saklanmalıdır.

2.1 Uygulamalar

SQ ve **SQE** tip pompalar partikül veya fiber içermeyen ince, temiz, aşındırıcı ve patlayıcı nitelikte olmayan sıvıların pompalanması için tasarlanmıştır.

Bazı uygulama alanları:

- Evlerde kullanım suyu olarak.
 - Sera türü(liaplı su gereksinimi olan yerlerde.
 - İki tank arasında yatay monte edilerek seviye basılması.
- Hidrofor uygulamaları (basınç tankı veya PC ünitesi kullanılarak).

SQE-NE (AISI 316L) tip pompalar partikül veya fiber içermeyen, ince, temiz ve patlayıcı nitelikte olmayan sıvıların pompalanması için tasarlanmıştır.

Bu tip pompalarla kirli veya hidrokarbon içerikli yeraltı sularını pompalayabiliriz, Uygulamaları arasında:

- Atık sular(partikül içermeyen pis su).
- Kimya endüstrisi.
- Yağ veya petrol istasyonları.
- Çevresel uygulamalar.

Aynı zamanda **SQE-NE** tip pompalar örnekleme ve kontrol için vade belirli bir seviyeye kadar arıtma sistemlerindedeki kullanılabilir.

Genel bilgiler (SQ, SQE, SQE-NE):

Suyun içerdiği kum miktarı 50 g/m³'ü aşmamalıdır. Bu miktardan daha fazla kum içeren sular pompanın kullanım ömrünü kısaltacak ve tıkanma riskini artıracaktır.

Not

Eğer vizkositesi sudan farklı bir sıvı pompalanacaksa lütfen Grundfos'a danışınız.

pH değerleri:

SQ ve SQE: 5-9 arası.

SQE-NE: Grundfos'a danışınız.

Sıvı sıcaklığı:

Pompalanan sıvının sıcaklığı 35 °C geçmemelidir.

3. Teknik veriler

Elektrik voltajı:

1 x 200-240 V - % 10/+ % 6, 50/60 Hz, PE.

Jeneratör ile çalışma: Jeneratörün gücü motor gücünden (P_1 [kW]) % 10 fazla olmalı.

Başlangıç akımı:

Motorun başlangıç akımı motorun isim plakasında belirtilen en yüksek akım değerine eşit olmalıdır.

Güç faktörü:

PF (power factor) = 1.

Motor sıvısı:

SML 2 tipi.

Motor kablosu:

1,5 m, 3 x 1,5 mm², PE.

Sıvı sıcaklığı:

Maksimum 35 °C.

Pompa çıkış çapı:

SQ 1, SQ 2, SQ 3: Rp 1 1/4.

SQ 5, SQ 7: Rp 1 1/2.

Pompanın çapı:

3" = 74 mm.

Kuyu çapı:

Minimum 76 mm.

Montaj derinliği:

Statik su seviyesinin maksimum 150 m altında.

Bkz. bölüm [6.8.2 Montaj derinlikleri](#).

Net ağırlık:

Azami 6,5 kg.

3.1 Depolama

-20 °C .. +60 °C arasındaki sıcaklık ortamlarında depolanabilir.

3.1.1 Donmadan koruma

Eğer pompa kullanımdan sonra saklanacaksa, donmadan korunan bir yerde saklanmalıdır veya motor sıvısı donmaya karşı mukavim olmalıdır. Pompa motor sıvısı ile doldurulmadan saklanmalıdır.

3.2 Ses basınç seviyesi

Ses basıncı seviyesi makine ile ilgili EC 2006/42 numaralı EC konseyi Talimatları uyarınca burada belirtilen sınırlayıcı değerlerden daha düşük olmalıdır.

4. Hazırlıklar

Grundfos MS 3 ve MSE 3 tipi motorlar su ile yağlanabilen kaymalı yataklara sahip olduklarından ilave yağlamaya gerek yoktur.

Bu dalgıç motorlar özel Grundfos motor yağı (SML 2) ile üretim anında doldurulmuşlardır. Ayrıca SML 2 yağı -20 °C kadar sıcaklıklara ve bakteri üremesine karşı dayanıklıdır.

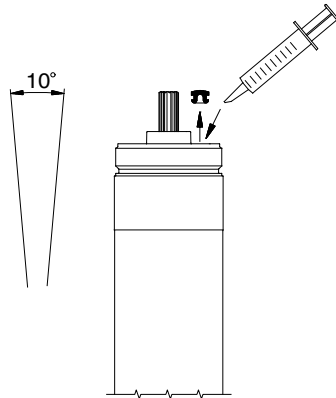
Motor sıvısının miktarı motor yataklarının ömrüne dolayısıyla motor ömrüne etkileyen önemli sebeplerden birisidir.

4.1 Motor sıvısının doldurulması (gerektiğinde)

Herhangi bir sebeple motor sıvısı bosalmissa yada azalmışsa, Grundfos SML 2 motor sıvısıyla tekrar doldurulmalıdır.

Motor sıvısını doldurmak için aşağıdaki talimatları uygulayınız:

1. Kablo korumasını çıkarınız ve pompayı motordan ayırınız.

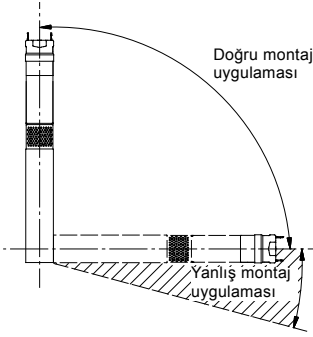


Şekil 1

2. Motoru 10 hafif yatık pozisyonda tutunuz.
 3. Doldurma tapasını bir tornavida vasıtasıyla veya benzeri bir alet yardımı ile çıkarınız.
 4. Motor sıvısını motora bir şırınga veya benzeri bir alet yardımıyla doldurunuz.
 5. Motor içinde hava kalmasını engellemek için motoru hafif sallayarak doldurunuz.
 6. Doldurma tapasını yerine sıkı bir şekilde takınız.
 7. Motorla, pompa hidrolik kısmını tekrar eski hale gelecek şekilde monte ediniz.
 8. Kablo koruyucusunu yerine takınız.
- Artık pompa montaj için hazırdır.

4.2 Uygulama pozisyonları

Pompa dikey kullanılabildiği gibi yatay monte edilerekte kullanılabilir ancak pompa hiçbir zaman yatay düzeyin altında kalacak şekilde çalıştırılmamalıdır, bkz. şekil 2.



Şekil 2

Eğer pompa yatay olarak monte edilecekse, örneğin bir tank içine, ve pompanın çamur ile kaplanması ihtimali varsa, bir akış borusunun (soğutma gömleği) içine monte edilmesi gerekir.

Montaj derinliği ile ilgili olarak, bkz. bölüm 6.8.2 *Montaj derinlikleri*.

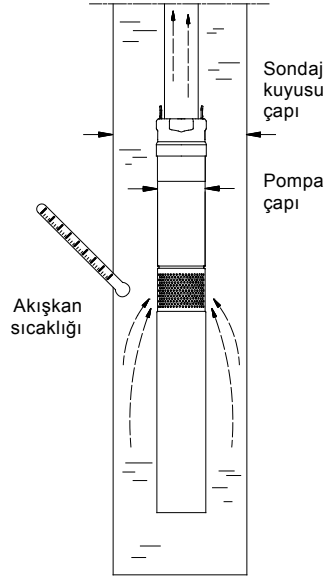
4.3 Sıvı sıcaklıkları/motorun soğutulması

Şekil 3 te bir sondaj kuyusuna monte edilmiş olan bir SQ/SQE pompası gösterilmektedir. Pompa çalışır durumdadır.

Şekil 3 te aşağıdaki hususlar gösterilmiştir:

- Sondaj kuyusu çapı.
- Pompa çapı.
- Pompalanan sıvı sıcaklığı.
- Motorun etrafından geçip pompanın emme bölümüne ulaşan akışkan.

TM01 1375 4397



Şekil 3

Motorun yeterli soğumasını sağlamak için, sıvı sıcaklığını tüm şartlarda 35 °C altında tutmak önemlidir.



Sondaj kuyusu çapı en az 76 mm olmalıdır. (yaklaşık 3").

Motor mutlaka kuyu filtre sisteminin yukarisına monte edilmelidir. Eğer bir akış gömleği kullanılmıyorsa, pompa serbest duracak bir şekilde yerleştirilmelidir.



Pompayı 5 dakikadan fazla ağız kapalı durumda çalıştırmayınız. Ağız kapalı şekilde çalıştırılan pompanın motorunun çevresinde akış oluşmuyacağından kısa zamanda aşırı ısınarak devreden çıkması ve sorun yaratması muhtemeldir.

Eğer pompanın çalıştığı şartlardaki akışkan sıcaklığı sınır değerlerin üstüne çıkıp pompanın durmasına yol açarsa veya istenilmeyen şartlar oluşursa, bu durumda lütfen Grundfos ile kontak kurunuz.

TM01 0518 1297

5. Elektrik bağlantıları

5.1 Genel bilgiler

Pompanın elektrik bağlantıları yetkili elektrikçiler tarafından yerel mevzuat talimatlarına uygun bir şekilde yapılmalıdır.

UYARI

Elektrik çarpması

Ölüm veya ciddi yaralanma

- Pompa üzerinde çalışmaya başlamadan önce elektrik bağlantısının kesilmiş ve kendi kendine devreye girmeyeceğinden emin olmalısınız.
- Pompanın topraklama bağlantısının mevzuata uygun şekilde yapılması zorunludur. Aksi durumda Grundfos hiçbir konuda sorumluluk kabul etmez.
- Pompa harici bir şebeke şalterine, her kutupta minimum 3 mm kontak aralığı olacak şekilde bağlanmalıdır.
- Eğer motor kablosu zarar görmüşse, Grundfos tarafından, Grundfos yetkili bayi veya benzer kalifiye insanlar tarafından değiştirilerek tehlikeden kaçınılmalıdır.



Giriş voltajı, azami elektrik akımı ve güç faktörü (PF) motorun isim plakasında verilmektedir.

Motorun terminal noktalarında ölçülen ve daldırılabilir Grundfos motorlarında kullanılan voltaj seviyesi, sürekli çalıştırma sırasındaki nominal voltaj seviyesinin - % 10/+ % 6 u dur (şebeke voltajındaki değişimler ve kablo kayıpları dahil).

UYARI

Elektrik çarpması

Ölüm veya ciddi yaralanma

- Eğer pompa, ilave korunma için kaçak akım rölesinin (earth leakage circuit breaker - ELCB) kullanıldığı bir elektrik sistemine bağlanmış ise, bu devre bozucu DC (doğru akım) içerikli toprak hata akımları oluştuğunda (değişken DC) devreden çıkmalıdır.



Kaçak akım rölesi şu sembol ile işaretlenmelidir:



Şebeke voltajı:

1 x 200-240 V - % 10/+ % 6, 50/60 Hz, PE.

Elektrik tüketimi sadece gerçek bir RMS cihazı ile ölçülebilir. Eğer diğer aletler kullanılırsa, verilen değerler gerçek değerlerden farklı olacaktır.

SQ/SQE pompalar 50 Hz 230 V'da 2,5 mA kaçak akımı tipik olarak ölçülebilir. Kaçak akım, şebeke voltajıyla orantılıdır.

SQE ve SQE-NE pompaları CU 300/CU 301 tipi bir kontrol ünitesine bağlanabilir.

Pompa hiç bir surette bir kapasitör veya CU 300/CU 301 dışında her hangi başka bir kontrol ünitesine bağlanmamalıdır.

Pompa hiç bir surette harici bir frekans dönüştürücü cihaza bağlanmamalıdır.



5.2 Motorun korunması

Motorunda termal aşırı yük koruma sistemi vardır ve ilave motor koruma sistemlerine gerek yoktur.

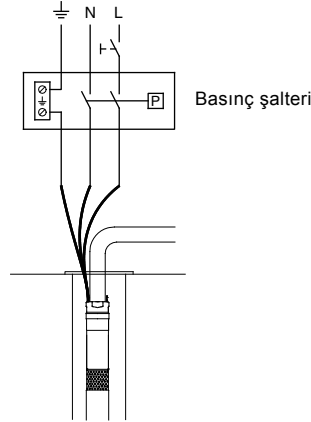
5.3 Motorun bağlantıları

Motorun içinde özel bir yol verici mevcut olduğundan doğrudan şebekeye bağlanabilir.

Pompanın çalıştırılıp durdurulması bir basınç şalteri vasıtasıyla sağlanabilir, bkz. şekil 4.



Basınç şalteri kullanılan pompanın büyüklüğüne uygun amper seviyesine göre seçilmelidir.



Şekil 4

6. Montaj

6.1 Genel bilgiler

UYARI

Elektrik çarpması

Ölüm veya ciddi yaralanma



- Pompa veya motor üzerinde her hangi bir müdahalede bulunmadan elektriğin şebekeden kapatılmış olmasından ve kendi kendine tekrar devreye girmeyecek olmasından emin olunuz.



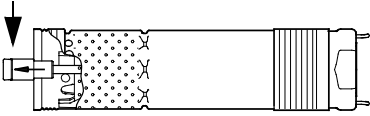
Pompayı motor kablolarından tutarak eğip kaldırmayı denemeyiniz.

Pompa ile beraber verilen data plakası montaj yeri yakınına yapıştırılmalıdır.

6.2 Pompa hidrolik kısmı ile motorunun birleştirilmesi

Pompa parçaları ile motorun birleştirilmesi için:

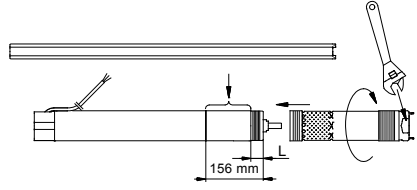
1. Motoru yatay olarak bir mengene ile tutturunuz ve sıkınız, bkz. şekil 6.
2. Pompa milini şekil 5 'te görüldüğü gibi çıkartın.



Şekil 5

3. Motor şaft ucunu pompa ile birlikte verilmiş olan özel yağ ile yağlayınız.
4. Pompayı motorun üstüne vidalayınız (55 Nm).
Not: Hidrolik mili motor mili ile tam olarak aynı doğrultuda hizalanmalıdır. Pompa kısmının sıkıştırma yüzeylerinde bir somun anahtarı kullanılabilir, bkz. şekil 6.

TM02 8425 5203



Şekil 6

TM01 2854 2299

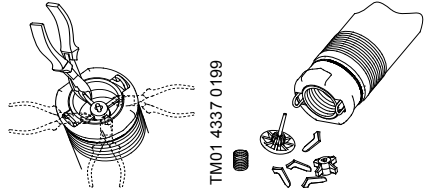
Motor (P2) [kW]	L [mm]
0,70	120
1,15	102
1,68	66
1,85	66

Pompa kısmı ile motor doğru bir şekilde monte edildikten sonra pompa kısmı ile motorun gözdesi arasında hiç bir boşluk kalmamalıdır.

6.3 Çek-valfin çıkarılması (istenmeyen durumlarda)

Eğer çek-valf kullanılmayacak bir pompa kullanılacaksa, söz konusu çek-valf şu şekilde çıkartılabilir:

1. Yan keski veya kesici bir alet kullanarak çek-valfin plastik ayaklarını kesiniz, bkz. şekil 7.
2. Pompayı baş aşağı döndürünüz.
3. Bütün kopmuş parçaların yere dökülmesini sağlayınız.



Şekil 7

TM01 4337 0199

TM01 4338 0199



SQE-NE çek-valf olmadan verilmektedir.

Çekvalf bir Grundfos servisinde takılabilir.

6.4 Motor ile birlikte verilen

UYARI

Elektrik çarpması

Ölüm veya ciddi yaralanma



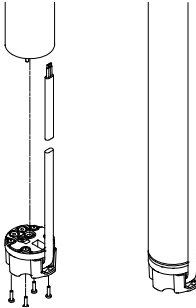
- Motor fişi hiçbir koşulda kullanıcı tarafından çıkarılmamalıdır.
- Fıslı kablo Grundfos servisi veya onun görevlendirdiği yetkili bir kişi tarafından çıkarılıp, takılmalıdır.

Aşağıdaki açıklamalar özel olarak servis personeli içindir. Eğer motor kablosu değişmesi gerekirse, bakınız bölüm [5.1 Genel bilgiler](#).

Kablo fişi fabrikada yağlanmışır. Fişin doğru bir şekilde yağlanmış olduğundan emin olunuz.

Kablo fişini takmak için:

1. Kablo tipinin, kesitinin ve uzunluğunun doğruluğunu kontrol ediniz.
2. Şebeke bağlantılarının doğru bir şekilde topraklanmış olduğunu kontrol ediniz.
3. Motor soketinin temiz ve kuru olduğunu kontrol ediniz. Çıkan contanın yerine takılmış olduğundan emin olun.
4. Kablolü fişi motor soketinin üzerine bastırın. Fişin sokete ters takılması mümkün değildir, bkz. şekil 8.



Şekil 8

5. 4 adet vidayı yerine oturturup sıkın (1 - 1,5 Nm), bkz. şekil 8.

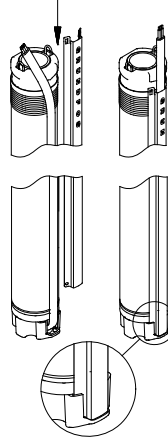
Fiş sokete takıldıktan sonra motor ile fiş arasında boşluk kalmamalıdır.

TM02 9605 3504

6.5 Kablo muhafazasının takılması

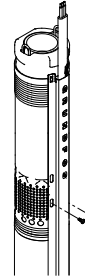
Kablo muhafazasını takmak için:

1. Elektrik kablosunun kablo muhafazası içinde düz olarak durmasını sağlayınız.
2. Kablo muhafazasını kablo soketindeki yerine oturtun. Kablo muhafazasının iki yanağı da pompa kovanının üst tarafına takılmış olmalıdır, bkz. şekil 9.



Şekil 9

3. Beraberinde verilen iki adet saç vidayı ile kablo muhafazasını pompa emme filtresine vidalayınız, bkz. şekil 10.



Şekil 10

TM02 9613 3504

TM01 4427 0299

6.6 Kablo ebatları

Grundfos her tip montaj için özel tipte kablo sağlayabilir.



Elektrik kablosunun kesiti [5.1 Genel bilgiler](#) bölümünde verilen voltaj gereksinmelerini karşılayacak kadar büyük olmalıdır.

Aşağıda verilen tablo değerleri aşağıdaki formül kullanılarak hesaplanmıştır:

$$q = \frac{I \times 2 \times 100 \times PF \times L \times \rho}{U \times \Delta U}$$

q = Elektrik kablosunun kesiti [mm²].

I = Motorun çektiği maksimum akım [A].

PF = 1.0.

L = Elektrik kablosunun uzunluğu [m].

ρ = Spesifik direnç: 0.02 [Qmm²/m].

U = Nominal voltaj [V].

ΔU = Voltaj düşüklüğü [%] = % 4 .

% 4 voltaj düşüklüğü, HD-384 serisi, IEC 3-64 normlarına uygundur.

Hesaplamaya göre 240 V luk bir şebeke için azami kablo uzunlukları aşağıdaki tabloda verilmektedir:

Azami kablo uzunluğu [m]

Motor (P2)	I _N [A]	Alan kesiti					
		1,5 mm ²	2,1 mm ² / 14 AWG	2,5 mm ²	3,3 mm ² / 12 AWG	4 mm ²	6 mm ²
0,7	5,2	80	112	133	176	213	320
1,15	8,4	50	69	83	109	132	198
1,68	11,2	37	52	62	82	99	149
1,85	12	35	49	58	76	92	139

6.7 Elektrik kablosunun ek bağlantısı

Ek elektrik kablosu ile motor kablosunun bir Grundfos KM tipi kablo bağlama seti kullanmak suretiyle birleştirilmesi tavsiye edilir.

Kablo KM tipi bağlama seti	
Alan kesiti	Ürün numarası
1,5 - 6,0 mm ²	96021473

Daha büyük profil için Grundfos a danışınız.

6.8 Boru bağlantıları

Eğer pompa boru eklenmesi sırasında boru anahtarı ile sıkılıyorsa pompa hidroliğini zedelememek için sadece pompanın en üst kısmından tutularak sıkılmalıdır.

Plastik boru bağlamalarında ara parça olarak kaplin bağlanması tavsiye edilir.

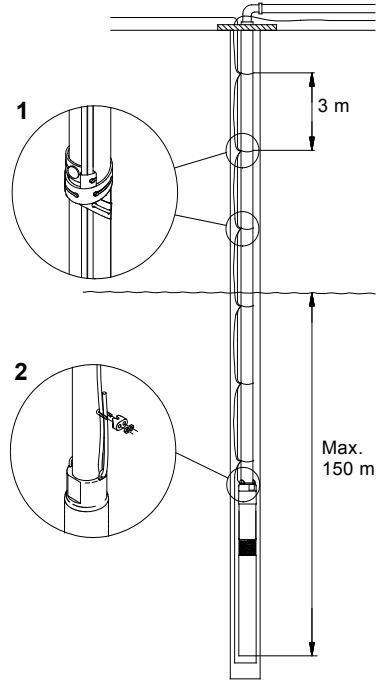


Plastik boru takılmış pompalar ile ilgili olarak, yükleme anında boruların genişmesi de, pompa montaj derinliğini belirlerken dikkate alınmış olmalıdır.

Flanşlı borular kullanıldığında, flanşlara elektrik kablosu geçişleri için delikler açılmalıdır.

Şekil 11 de aşağıdaki verilen unsurları gösteren bir pompa montaj şeklini görmekteyiz:

- Kablo kelepçelerinin yeri, 1 numaralı pozisyon ve kelepçeler arasındaki mesafeler.
- Taşıma halatının takılması, 2 numaralı pozisyon.
- Statik su seviyesinin altında kalan azami montaj derinliği.



Şekil 11

6.8.1 Kablo kelepçeleri

Kablo kelepçeleri her 3 metrede bir takılmalıdır, bkz. şekil 11.

Plastik boru takarken her kelepçe arasında plastik borular yükleme zamanında geniştiğinden biraz boşluk bırakılması gerekir.

Flanşlı boru kullanıldığında kablo kelepçeleri her bir bağlantının altına ve üstüne takılmalıdır.

TM01 0480 4397

6.8.2 Montaj derinlikleri

Statik su seviyesinin altındaki **azami** montaj derinliği: 150 metre, bkz. şekil 11.

Dinamik su seviyesinin altındaki **asgari** montaj derinliği:

- **Dikey montaj:**
Çalıştırma ve işletme anında pompa daima tam manasıyla suya batmış olmalıdır.
- **Yatay montaj:**
Pompa, dinamik su seviyesinin en azından 0,5 metre altına monte edilmeli ve çalıştırılmalıdır.
Eğer pompanın çamur ile kaplanma riski varsa pompa daima bir akış kovani içine yerleştirilmiş olmalıdır.

6.8.3 Pompa sondaj kuyusunun içine indirildiğinde

Pompanın yük altında olmayan bir çelik halat vasıtasıyla asılması tavsiye edilir, bkz. şekil 11, 2 numaralı pozisyon.

Asma halatı o şekilde gevşetiniz ki, yükten kurtulmuş olsun ve onu tel kilitleri vasıtasıyla sondaj kuyusunun ağzına sabitleyiniz.



Gergi teli pompaya bağlı olduğu borularla birlikte dışarı çıkartmak için kullanılmamalıdır.



Pompayı motor kablosundan tutup kaldırmayınız.

7. Çalıştırmaya başlama

Kuyunun pompanın kapasitesine tekabül eden asgari miktarda su sağlayabilecek olmasına dikkat ediniz.

Pompayı tamamen sıvının içine batmış olmadan çalıştırmayınız.

Pompayı çalıştırınız ve pompalanan sıvı tamamiyle temizleninceye kadar durdurmayınız, aksi takdirde pompa hidrolik kısımları ile çek-valf tıkanabilir.

8. Pompanın çalışması

8.1 Minimum akış hızı

Motorun yeterince soğuyabilmesi için suyun akış hızı hiç bir zaman 50 l/s ten aşağı düşmemelidir.

Eğer pompanın akış hızında ani düşme meydana gelirse bunun sebebi pompanın sondaj kuyusunun taşıyabileceğinden fazla suyu pompalamakta oluşudur. Pompa durdurulmalı ve hata düzeltilmelidir.



Pompa kuru çalışma koruma sistemi sadece pompanın tavsiye edilen çalışma limitleri dahilinde etkilidir.

8.2 Membran tankı seçimi ve tank basıncının ve basınç şalterinin ayarlanması

UYARI



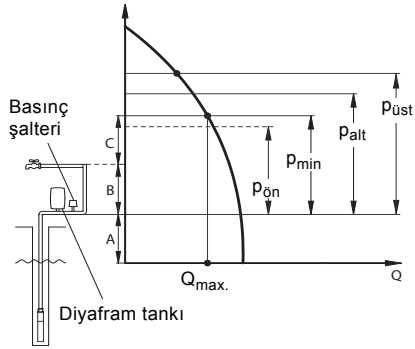
Basınçlı sistem

Ölüm veya ciddi yaralanma

- Montaj işleri azami pompa basıncına göre tasarlanmış olmalıdır.

Pompada 2 saniyelik yumuşak kalkış (soft-start) sağlayan bir sistem olduğu için çalışmaya başlama esnasında basınç düşmesindeki ve diyafram tankındaki basınç basınç düşmesi üstündeki (p_{alt}) pompa devreye sokma basıncından daha düşük olacaktır. Bu düşük basınca asgari basınç (p_{min}) denir.

p_{min} , en üst seviyedeki musluğun min. basıncı + tank ve basınç şalterinden itibaren basma yüksekliği ve boru kayıplarının toplamına eşittir ($p_{min} = B + C$), bkz. şekil 12.



Şekil 12

- A: Basma yüksekliği + dinamik su seviyesinden diyafram tankına kadar olan basma yüksekliği kaybı.
- B: Basma yüksekliği + diyafram tankından en yüksek musluk seviyesine kadar olan basma yüksekliği kaybı.
- C: En yüksek musluk seviyesindeki asgari basınç.



Seçtiğiniz pompanın $p_{üst} + A$ dan daha yüksek basınç verebileceğinden emin olun.

- $p_{ön}$: Diyafram tankının ön şarj basıncı.
- p_{min} : Arzu edilen asgari basınç.
- p_{alt} : Basınç şalterindeki devreye girme basıncı.
- $p_{üst}$: Basınç şalterindeki devreden çıkma basıncı.
- Q_{max} : p_{min} da maksimum debi miktarı.

8.3 Kuyu sistem basıncı aşırı yüklenmesi

Aşırı basına karşı koruma sağlamak amacıyla kuyu kafasından sonra bir basınç tahliye vanası takın. Basınç tahliye vanasının ayar noktası, basınç ayarının en az 30 psi üstünde olmalıdır.

Bir tahliye vanası kurarsanız, uygun bir drenaj noktasına bağlamanızı öneririz.

Veriler kullanılarak **asgari** diyafram tankı kapasitesi, ön şarj basıncı seviyesi ve basınç şalteri ayarları aşağıda verilen tablo yardımıyla kolayca bulunabilir:

Örnek

$P_{\min} = 35$ mSS, $Q_{\max} = 2,5$ m³/saat.

Bu bilgilerin ışığında tablodan aşağıdaki değerlere ulaşılır:

Asgari diyafram tankı büyüklüğü: 33 litre.

$P_{\text{ön}} = 31,5$ m basma yüksekliği.

$P_{\text{alt}} = 36$ m basma yüksekliği.

$P_{\text{üst}} = 50$ m basma yüksekliği.

P_{\min} [m]	Q_{\max} [m ³ /saat]																		$P_{\text{ön}}$ [m]	P_{alt} [m]	$P_{\text{üst}}$ [m]
	0,6	0,8	1	1,2	1,5	2	2,5	3	3,5	4	4,5	5	5,5	6	6,5	7	7,5	8			
Diyafram tank kapasitesi [litre]																					
25	8	8	18	18	18	18	24	33	33	50	50	50	50	80	80	80	80	80	22,5	26	40
30	8	8	18	18	18	24	33	33	50	50	50	50	80	80	80	80	80	27	31	45	
35	8	18	18	18	18	24	33	33	50	50	50	80	80	80	80	80	31,5	36	50		
40	8	18	18	18	18	24	33	50	50	50	80	80	80	80	36	41	55				
45	8	18	18	18	24	33	33	50	50	50	80	80	80	80	40,5	46	60				
50	8	18	18	18	24	33	50	50	50	80	80	80	80	45	51	65					
55	18	18	18	18	24	33	50	50	50	80	80	80	49,5	56	70						
60	18	18	18	18	24	33	50	50	80	80	80	80	54	61	75						
65	18	18	18	24	24	33	50	50	80	80	80	80	58,5	66	80						

1 m basma yüksekliği = 0,098 bar.

8.4 Kendinden orjinal koruma sistemi

Motorda onu istenmeyen durumlara karşı koruyan bir elektronik sistem vardır.

Aşırı yüklenme halinde sistem içindeki aşırı yüklemeye karşı koruma pompayı 5 dakika için durduracaktır. Bu sürenin sonrasında pompa yeniden çalışmayı deneyecektir.

Kuru çalışma nedeniyle pompa durmuşsa, otomatik olarak 5 dakika sonra yeniden çalışmaya başlayacaktır.

Pompa tekrar çalıştırıldığında kuyuda su yoksa, pompa 30 saniye sonra duracaktır.

Pompanın yeniden ayarlanması: elektriği 1 dakika süreyle kesiniz.

Motor aşağıdaki durumlarda korunma özelliğine sahiptir:

- Kuru çalışma
- Voltaj oynamaları (6000 V a kadar)
Yıldırım riski bulunan alanlarda harici koruma yapılması önerilir.
- Aşırı voltaj
- Voltaj düşüklüğü
- Aşırı yükleme
- Aşırı ısınma.

SQE pompalar/MSE 3 motorları:



Kuru çalışma koruması sınır değerleri, CU 300/CU 301 vasıtasıyla MSE 3 motorlarında ayarlanmalıdır.

9. Bakım ve servis

Pompaların normal şartlarda bakıma gereksinimleri yoktur.

Sediment ve aşınma meydana gelebilir. Bu amaçlar doğrultusunda hazırlanan servis setleri ve servis aletleri Grundfos tan elde edilebilir. Grundfos servis el kitabı talep halinde gönderilecektir.

Pompaların servis ve bakımları Grundfos bakım merkezlerinde yapılır.

9.1 Kirlenmiş olan pompalar



Eğer bir pompa sağlığa zararlı veya toksik maddeler içeren bir sıvı için kullanılmışsa, pompa kirlenmiş olarak sınıflandırılır.

Eğer Grundfos un bu pompayı bakıma alması isteniyorsa, Grundfos pompalanan sıvının niteliği konusunda bilgilendirilebilir, örneğin pompa servis için Grundfos a gönderilmeden önce. Aksi takdirde Grundfos pompayı bakım için kabul etmeyebilir.

Ancak, bakım ile ilgili olarak yapılacak her hangi bir müracaat (kime yapılırsa yapılsın), eğer pompa sağlığa zararlı veya toksik maddeler içeren sıvıların pompalanması için daha önce kullanılmışsa söz konusu sıvı ile ilgili detayları da içermelidir.

SQE-NE: Sadece kirlenmemiş olarak sınıflandırılan pompalar (yani, sağlığa zararlı veya toksik maddeler içermeyen) Grundfos a servis için gönderilebilir.

Bu iş ile ilgilenen kişilere ve çevreye olası zararları önlemek için pompanın temiz olarak sınıflandırıldığına dair bir belge alınmış olmalıdır, aksi takdirde Grundfos pompayı servise kabul etmeyebilir.

Pompanın gönderilmesinin masrafları müşteri tarafımdan karşılanacaktır.

10. Arıza tespit tablosu

DIKKAT

Elektrik çarpması

Hafif veya orta dereceli yaralanma



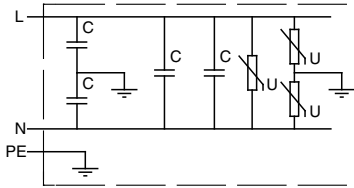
- Pompa veya motor üzerinde her hangi bir müdahalede bulunmadan elektriğin şebekeden kapatılmış olmasından ve kendi kendine tekrar devreye girmeyecek olmasından emin olunuz.

Arıza türü	Nedenleri	Yapılması gerekenler
1. Pompa çalışmıyor.	a) Sigortalar atmış.	Atan sigortaları değiştiriniz. Eğer yeni takılanlar da atıyorsa, elektrik tesisatı ve kablolar kontrol edilmelidir.
	b) ELCB veya elektrik voltajı ile çalışan ELCB devreden çıkmış.	Devre bozucuyu devreye alınız.
	c) Elektrik akımı kesilmiş.	Elektrik şebekesi idaresine başvurunuz.
	d) Motor koruma sistemi aşırı yüklemeye dolaylı çalışmayı durdurmuş.	Motor/pompanın tıkalı olup olmadığını kontrol ediniz.
	e) Pompa/kablolarında hasar var.	Pompayı/kabloları değiştiriniz/tamir ediniz.
	f) Yüksek voltaj veya düşük voltaj meydana geldi.	Elektriği kontrol ediniz.
2. Pompa çalışıyor fakat su basmıyor.	a) boşaltım vanası kapalı.	Vanayı açınız.
	b) Su yok veya sondaj kuyusundaki suyun seviyesi düşük.	3 a) numaralı bölüme bakınız.
	c) Çek-valf kapalı durumda takılı kalmış.	Pompayı çıkartıp temizleyiniz ve veya vanayı değiştiriniz.
	d) Emme süzgeci tıkalı.	Pompayı çıkarınız ve süzgeci temizleyiniz.
	e) Pompa bozulmuş.	Pompayı tamir ediniz/değiştiriniz.
3. Pompa düşük kapasitede çalışıyor.	a) suyun azalma hızı daha önce belirlenenenden daha fazla.	Pompanın montaj derinliğini artırınız, pompanın hızını kısınız veya daha küçük bir model pompa ile daha küçük kapasitede çalıştırmak için değiştiriniz.
	b) Basma borusundaki vanalar kısmen tıkalı/kapalı.	Vanaları kontrol edip gerekli ise temizleyiniz/değiştiriniz.
	c) Basma borusu pislikler (toprak boyası) nedeniyle kısmen tıkanmış.	Boşaltım borusunu temizleyiniz/değiştiriniz.
	d) Çek-valf kısmen tıkalı.	Pompayı çıkarınız ve vanaları kontrol edip gerekirse değiştiriniz.
	e) Pompa ve yükseltici boru pislikler (toprak boyası) nedeniyle kısmen boğulmuş.	Pompayı çıkarınız. Pompayı kontrol edip gerekli ise temizleyiniz veya değiştiriniz. Boruları temizleyiniz.
	f) Pompa bozuk.	Pompayı tamir ediniz/değiştiriniz.
	g) Borularda kaçak var.	Boruları kontrol ediniz ve tamir ediniz.
	h) Yükseltici boru bozuk.	Yükseltici boruyu değiştiriniz.
	i) Voltaj düşmesi olmuş.	Elektriği kontrol ediniz.

Arıza türü	Nedenleri	Yapılması gerekenler
4. Sık sık çalışıyor ve duruyor.	a) başlama ve durma basınçları arasındaki basınç şalteri üstündeki basınç farkı çok az.	Söz konusu farkı artırınız. Ancak, durdurma basıncı basınç tankının işletme basıncından daha fazla olmamalıdır ve başlama basıncı su seviyesinin yeterli olması için gerektiği kadar yüksek olmalıdır.
	b) Su seviyesi elektrodları veya rezervuardaki seviye düğmeleri doğru bir şekilde bağlanmamış.	Pompanın Devreye girme zamanı ile devreden çıkma zamanı arasında en uygun süreyi yakalamak için Elektrotların/seviye düğmelerinin aralıklarını ayarlayınız. Otomatik cihazlar konusunda montaj ve işletme talimatlarına bknz. Eğer durdur/başlat arasındaki fasilalarda değişiklik yapılamıyorsa, pompanın kapasitesi boşaltım vanası kısılarak azaltılabilir.
	c) Çek-valfte kaçak var veya yarı açık bir vaziyette takılı kalmış.	Pompayı çıkarınız ve çek-valfi temizleyiniz/değiştiriniz.
	d) Şebeke voltajı inip çıkıyor.	Elektriği kontrol ediniz.
	e) Motor ısısı fazla artıyor.	Suyun sıcaklığını kontrol ediniz.

10.1 Megging

SQ/SQE pompaların dizaynı farklı olması nedeniyle ohm ölçümü (megging) yapılamaz. bu uygulama sq içindeki elektronik karta zarar verebilir, bkz. şekil 13.



TM02 0689 5000

Şekil 13

11. Ana besleme voltajinin kontrolü

UYARI

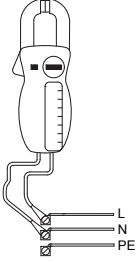
Elektrik çarpması

Ölüm veya ciddi yaralanma



- Pompa veya motor üzerinde her hangi bir müdahalede bulunmadan elektriğin şebekeden kapatılmış olmasından ve kendi kendine tekrar devreye girmeyecek olmasından emin olunuz.

1. Şebeke voltajı



TM00 1371 4904

Faz ile nötr arasındaki voltajı (RMS) ölçünüz. Voltmetreyi bağlantı terminallerine bağlayınız.

Voltajın motor yük altında iken elektrik bağlantıları başlıklı **5. Elektrik bağlantıları** bölümünde verilen değer sınırları içinde kalması lazımdır.

Şebek voltajındaki büyük oynamalar elektriğin zayıf geldiğine işaret eder ve düzelinceye kadar pompanın çalışması durdurulmalıdır.

2. Elektrik tüketimi



TM00 1372 5082

Pompa sabit bir boşaltım basma yüksekliğinde (mümkünse, motor en fazla yük altında çalışırken) çalışırken elektrik akımını (RMS) ölçünüz. Azami akım için bkz. İsim plakası.

Eğer elektrik akımı tam yük altındaki akımdan daha fazla ise, olası arıza nedenleri şunlardır:

- terminal bağlantıları, özellikle de kablo uçlarında iyi oluşturulmamış.
- Fazla zayıf şebeke elektriği, bkz. 1 numaralı madde.

12. Çevre faktörleri

Taşıma, işletme, depolama ve nakliye sırasında tehlikeli maddeler ile ilgili bütün çevre mevzuatı uygulanmalıdır.

UYARI

Korozif madde

Ölüm veya ciddi yaralanma



- Eğer pompa işletmeden kaldırılırsa, çevre ve insanlara zararlı olan tehlikeli maddelerin pompa/motorun ve yükseltici borusunun içinde kalmamış olduğundan emin olunmalıdır.

Her hangi şüpheli bir durum olduğunda lütfen Grundfos veya yerel yetkililer ile temas ediniz.

13. Hurdaya çıkarma

Bu ürünün ve parçalarının hurdaya çıkartılmasında aşağıdaki kurallara dikkat edilmelidir:

1. Yerel veya özel atık toplama servisini kullanın.
2. Eğer bu mümkün değilse, en yakın Grundfos şirketi veya servisini arayın.

YETKİLİ GRUNDFOS SERVİSLERİ

Şehir	Firma	Telefon Faks	Cep telefonu E-posta
Adana	Sunpo Elektrik Yeşiloba Mahallesi. 46003 Sokak. Aslandami Sitesi. C Blok No:12 Seyhan	0322 428 50 14-18 0322 428 48 49	0533 461 71 14 sunpo-elektrik@hotmail.com
Ankara	Arda Pompa Ostim Mahallesi 37. Sokak .No:5/1 Yenimahalle	0312 385 88 93 0312 385 89 04	0541 805 89 44 arda@ardapompa.com.tr
	Uğur Makina İvedik Mahallesi. İvogsan 1368. Caddesi.693. Sokak. Halk İş Merkezi No:17/7	0312 394 37 52 0312 394 37 19	0532 505 12 62 uguryetisocal@gmail.com
Antalya	Pomser Pompa Varlık Mahallesi. 194 Sokak. İsmail Kasap Apt. No:1 Muratpaşa	0242 243 65 60-61 0242 243 65 62	0533 777 52 72 myilmaz@pomser.com
Bursa	Teknik Bobinaj Alaaddin Bey Mahallesi. Meşe İş Merkezi 624. Sokak. No:26 D:10 Nilüfer	0224 443 78 83 0224 443 78 95	0533 419 90 51 teknik@tbovinaj.com.tr
İstanbul	Ari Motor Tuzla Deri Sanayi Karşısı Birmes Sanayi Sitesi. A-3 Blok No:8 Tuzla	0216 394 21 67 0216 394 23 39-0216 394 89 84	0541 523 80 56 serkan@arimotor.com.tr
	Ser Grup Mekanik Nuripaşa Mahallesi. 62/1 Sokak. No:12/C Zeytinburnu	0212 679 57 13-14 0212 415 61 98	0549 641 52 02 servis@sermekanik.com
İzmir	Damla Pompa Halkapınar Mahallesi. 1203/4 Sokak. No:2/E Yenişehir Konak	0232 449 02 48 0232 459 43 05	0552 5517645 hbayaşlan@damlapompa.com
Kayseri	Çağrı Elektrik Eski Sanayi Bölgesi 3. Cadde No:3/A Kocasinan	0352 320 19 64 0352 330 37 36	0532 326 23 25 kayseri.cagrielektrik@gmail.com
Kocaeli	Grundfos Merkez Gebze Organize Sanayi Bölgesi. İhsan Dede Cd.2.Yol 200. Sokak No:204	0262 679 79 79 0262 679 79 05	0530 402 84 84 servis-tr@grundfos.com
Tekirdağ	Detay Mühendislik Zafer Mahallesi. Yeni Sanayi Sitesi 03/A Blok. No:10 Çorlu	0282 673 51 33-34 0282 673 51 35	0532 371 15 06 servis@detay-muhendislik.com

Değişime tabidir.

Terjemahan dari versi asli bahasa Inggris

DAFTAR ISI

	Halaman
1. Simbol yang digunakan dalam dokumen ini	367
2. Umum	368
2.1 Pemakaian	368
3. Data teknis	369
3.1 Penyimpanan	369
3.2 Tingkat kebisingan suara	369
4. Persiapan	369
4.1 Mengisi ulang cairan motor	369
4.2 Persyaratan posisi	370
4.3 Suhu cairan/pendinginan	370
5. Sambungan listrik	371
5.1 Umum	371
5.2 Perlindungan motor	371
5.3 Penyambungan motor	371
6. Pemasangan	372
6.1 Umum	372
6.2 Merakit kembali suku cadang pompa dan motor	372
6.3 Melepas katup satu arah	372
6.4 Memasang steker kabel ke motor	373
6.5 Memasang penyangga kabel	373
6.6 Ukuran kabel	374
6.7 Memasang kabel kedap air	375
6.8 Penyambungan pipa	375
7. Memulai	376
8. Pengoperasian	376
8.1 Laju aliran minimum	376
8.2 Pemilihan tangki diafragma dan pengaturan tekanan awal dan sakelar otomatis	376
8.3 Tekanan sistem air sumur kelebihan beban	377
8.4 Perlindungan terpasang	378
9. Pemeliharaan dan servis	378
9.1 Pompa yang tercemar	378
10. Tabel pencarian masalah	379
10.1 Penggunaan Alat Ukur Megger	380
11. Memeriksa pasokan listrik	381
12. Lingkungan	381
13. Pembuangan	381



Sebelum pemasangan, bacalah dokumen ini. Pemasangan dan pengoperasian harus sesuai dengan regulasi setempat serta pedoman penggunaan yang benar.



Perangkat ini dapat digunakan oleh anak berusia 8 tahun atau lebih dan orang dengan gangguan fisik, sensor atau mental atau kurang pengalaman atau pengetahuan jika mereka di bawah pengawasan atau diberi tahu cara menggunakan perangkat yang aman serta memahami bahayanya.

Anak-anak dilarang mempermainkan mesin ini. Pembersihan dan pemeliharaan perangkat ini tidak boleh dilakukan oleh anak-anak tanpa pengawasan.

1. Simbol yang digunakan dalam dokumen ini

BAHAYA



Menunjukkan situasi berbahaya yang, jika tidak dihindari, akan mengakibatkan kematian atau luka serius.

PERINGATAN



Menunjukkan situasi berbahaya yang, jika tidak dihindari, dapat mengakibatkan kematian atau luka serius.

HATI-HATI



Menunjukkan situasi berbahaya yang, jika tidak dihindari, dapat mengakibatkan luka ringan atau sedang.

Teks yang melengkapi ketiga simbol bahaya BAHAYA, PERINGATAN dan HATI-HATI akan dibuat dengan cara berikut:

KATA PERINGATAN



Penjelasan bahaya

Konsekuensi dari mengabaikan peringatan.
- Tindakan untuk mencegah bahaya.



Lingkaran warna biru atau abu-abu dengan simbol grafis putih menunjukkan bahwa tindakan harus diambil untuk menghindari bahaya.



Lingkaran warna merah atau abu-abu dengan garis diagonal, mungkin disertai simbol grafis hitam, menunjukkan bahwa suatu tindakan tidak boleh diambil atau harus dihentikan.



Jika semua petunjuk ini tidak diperhatikan, dapat mengakibatkan alat tidak berfungsi atau rusak.



Catatan atau petunjuk yang dapat mempermudah pekerjaan dan memastikan keselamatan dalam mengoperasikan.

2. Umum

PERINGATAN



Kejut listrik

Kematian atau luka serius
- Pompa tidak boleh digunakan ketika ada orang di dalam air.

Di halaman 412 pada petunjuk pemasangan dan operasi ini, Anda akan menemukan salinan pelat label pompa dan motor.

Sebelum pompa SQ/SQE diturunkan ke dalam lubang bor, halaman ini harus diisi dengan data pelat label yang terkait.

Petunjuk pemasangan dan operasi ini harus disimpan di tempat yang kering di dekat lokasi pemasangan sebagai rujukan.

2.1 Pemakaian

Pompa **SQ** dan **SQE** dirancang untuk memompa cairan yang encer, bersih, non-agresif, non-eksplusif, tidak mengandung partikel padat atau serat.

Kegunaan umum:

- Pasokan air tanah untuk
 - perumahan pribadi
 - sistem pengairan kecil
 - sistem irigasi, misalnya dalam rumah yang ramah lingkungan.
- Transfer cairan dalam tangki.
- Penguatan tekanan.

Pompa **SQE-NE** dirancang untuk memompa cairan yang encer, bersih, non-agresif, non-eksplusif, tidak mengandung partikel padat atau serat.

Pompa ini cocok untuk memompa air tanah yang terkontaminasi atau mengandung hidrogen karbonat, misalnya dari

- pembuangan
- depot bahan kimia
- kawasan industri
- tempat pengisian minyak dan bensin
- pemakaian di lingkungan.

Pompa **SQE-NE** juga dapat digunakan untuk pengambilan sampel dan pemantauan serta sampai batas tertentu untuk digunakan dalam sistem pengolahan air.

Informasi yang berlaku untuk semua jenis pompa

Kandungan pasir maksimum dalam air tidak boleh melebihi 50 g/m³. Semakin banyak kandungan pasir dalam air semakin pendek umur pompa dan semakin bertambah risiko pompa tersumbat.

Catatan

Jika cairan dengan viskositas lebih tinggi dari air yang harus dipompa, silakan hubungi Grundfos.

nilai pH

SQ dan SQE: 5 hingga 9.

SQE-NE: Hubungi Grundfos.

Suhu cairan

Suhu cairan yang dipompa tidak boleh lebih dari 35 °C.

3. Data teknis

Tegangan arus listrik

1 x 200-240 V - 10 %/+ 6 %, 50/60 Hz, PE.
Pengoperasian melalui generator: Sekurangnya output generator harus sama dengan motor P₁ [kW] + 10 %.

Arus listrik awal

Arus awal motor sama dengan nilai tertinggi yang tertera pada pelat label motor.

Faktor daya

PF = 1.

Cairan motor

Jenis SML 2.

Kabel motor

1,5 m, 3 x 1,5 mm², PE.

Suhu cairan

Maksimum 35 °C.

Ukuran saluran pelasan pompa

SQ 1, SQ 2, SQ 3: Rp 1 1/4.

SQ 5, SQ 7: Rp 1 1/2.

Diameter pompa

74 mm.

Diameter lubang bor

Minimum 76 mm.

Kedalaman instalasi

Maksimum 150 m di bawah permukaan air statis.
Lihat juga bagian [6.8.2 Kedalaman instalasi](#).

Berat bersih

Maksimum 6,5 kg.

3.1 Penyimpanan

Suhu penyimpanan -20 °C sampai +60 °C.

3.1.1 Perlindungan dari beku

Jika pompa harus disimpan setelah digunakan, simpanlah di tempat yang bebas salju atau harus dipastikan bahwa cairan motor tidak akan membeku. Motor tidak boleh disimpan tanpa terisi dengan cairan motor.

3.2 Tingkat kebisingan suara

Tingkat kebisingan suara lebih rendah dari batas nilai yang tercantum dalam Ketentuan Dewan Uni Eropa 2006/42/EC yang berkaitan dengan mesin.

4. Persiapan

Motor MS 3 dan submersible MSE 3 Grundfos memiliki bantalan geser berpelumas air. Tidak diperlukan lagi pelumas.

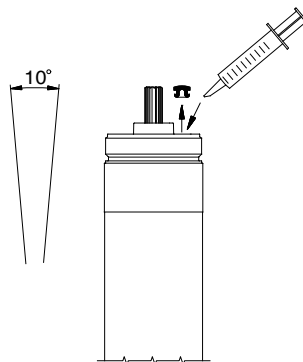
Motor submersible ini sudah diisi oleh pabrik dengan cairan khusus untuk motor khusus Grundfos (tipe SML 2), yang tahan beku hingga -20 °C dan dipadatkan untuk mencegah pertumbuhan bakteri. Tingkat cairan motor menentukan masa operasi bantalan ini, sehingga mempengaruhi keawetan motor.

4.1 Mengisi ulang cairan motor

Jika karena alasan tertentu cairan motor mengering atau tidak ada, motor harus diisi ulang dengan cairan motor SML 2 Grundfos.

Untuk mengisi ulang motor, ikuti langkah berikut:

1. Lepaskan pemandu kabel lalu pisahkan bagian pompa dari motornya.



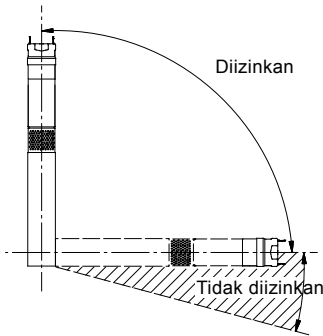
Gbr. 1

2. Letakkan motor dalam posisi vertikal dengan kemiringan kurang lebih 10 °.
 3. Lepaskan sumbat pengisian dengan obeng atau alat serupa.
 4. Suntikkan cairan motor ke dalam motor dengan alat suntik pengisian atau yang serupa.
 5. Agar air dapat keluar, goyang-goyangkan motor ke samping.
 6. Pasang kembali sumbat pengisian dan pastikan terpasang kencang.
 7. Rakit kembali suku cadang dan pompa motor.
 8. Pasang kembali penyangga kabel.
- Pompa sekarang siap dipasang.

TM02 9606 3504

4.2 Persyaratan posisi

Pompa ini cocok untuk instalasi vertikal maupun horizontal, namun, poros pompa **tidak boleh** ada di bawah bidang horizontal. Lihat gbr. 2.



Gbr. 2

Jika pompa akan dipasang secara horizontal, misalnya dalam tangki, dan ada risiko pompa tertutup lumpur, pompa harus selalu dipasang dalam selongsong aliran.

Untuk kedalaman instalasi, lihat bagian [6.8.2 Kedalaman instalasi](#).

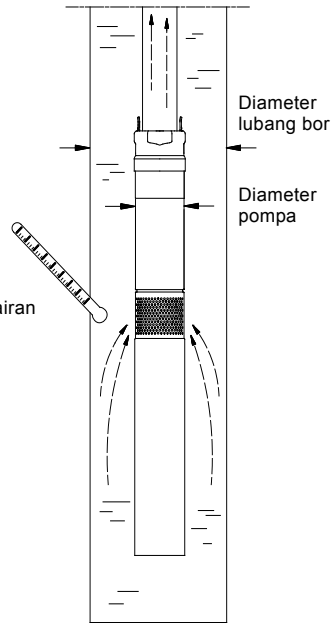
4.3 Suhu cairan/pendinginan

Gambar 3 menunjukkan pompa SQ/SQE dipasang dalam lubang bor. Pompa sedang bekerja.

Gambar 3 menggambarkan kondisi berikut:

- diameter lubang bor
- diameter pompa
- suhu cairan yang dipompa
- aliran melewati motor menuju saringan hisap pompa.

TM01 1375 4397



Gbr. 3

Untuk memastikan pendinginan motor mencukupi, perlu diamati suhu cairan maksimum 35 °C dalam semua kondisi.



Diameter lubang bor harus minimal 76 mm (kurang lebih 3").

Motor harus selalu dipasang di atas saringan sumur. Jika menggunakan selongsong aliran, pompa dapat dipasang secara bebas dalam lubang bor.



Jangan biarkan pompa bekerja pada pipa pelepasan yang tertutup selama lebih dari 5 menit. Ketika pipa pelepasan tertutup, tidak ada aliran pendingin sehingga suhu motor dan pompa berisiko kepanasan.

Jika suhu sebenarnya dari cairan yang dipompa melebihi angka tertentu atau kondisi pengoperasian berada di luar kondisi yang ditetapkan, maka pompa dapat mati. Hubungi Grundfos.

TM01 0518 1297

5. Sambungan listrik

5.1 Umum

Penyambungan listrik harus dilakukan oleh teknisi listrik ahli, sesuai dengan regulasi setempat.

PERINGATAN

Kejutan listrik

Kematian atau luka serius

- Sebelum memulai pekerjaan pada pompa, pastikan bahwa suplai daya telah dimatikan dan tidak dapat menyala secara tidak disengaja.
- Pompa harus dihubungkan dengan konduktor ke tanah (ground).
- Pompa harus disambungkan ke stopkontak listrik dengan jarak di antara kedua kutubnya minimal 3 mm.
- Kabel pasokan listrik yang rusak harus diganti oleh pihak Grundfos, agen servis resmi grundfos atau teknisi yang ahli agar tidak timbul bahaya.



Tegangan pasokan, dengan angka arus dan faktor daya (PF) maksimum tertera pada pelat label motor. Tegangan yang diperlukan untuk motor submersible Grundfos, yang diukur pada terminal motor, adalah - 10 %/+ 6 % dari tegangan nominal selama operasi berkelanjutan (termasuk variasi tegangan dan hambatan dalam kabel).

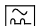
PERINGATAN

Kejutan listrik

Kematian atau luka serius

- Jika pompa disambungkan ke instalasi listrik yang menggunakan gawai proteksi arus sisa (GPAS) sebagai pelindung tambahan, GPAS **harus** bekerja ketika terjadi masalah pada pembumian dengan arus searah pulsasi (pulsating DC).



Gawai proteksi arus sisa **harus** ditandai dengan simbol ini: .

Tegangan arus listrik

1 x 200-240 V - 10 %/+ 6 %, 50/60 Hz, PE.

Konsumsi saat ini hanya dapat diukur dengan menggunakan instrumen RMS yang tepat. Jika digunakan alat lain, nilai yang terukur akan berbeda dari nilai yang sebenarnya.

Pada pompa SQ/SQE, kebocoran arus 2,5 mA pada 230 V, 50 Hz, biasanya dapat diukur. Kebocoran arus sebanding dengan tegangan arus listrik.

Pompa SQE dan SQE-NE dapat dihubungkan ke kotak kontrol, tipe CU 300 atau CU 301.

Pompa tidak boleh dihubungkan ke sebuah kapasitor atau kotak kontrol tipe lain selain dari tipe CU 300 atau CU 301. Pompa tidak boleh dihubungkan ke konverter frekuensi eksternal.



5.2 Perlindungan motor

Motor ini dilengkapi perlindungan dari suhu terlalu tinggi dan tidak perlu pelindung motor tambahan.

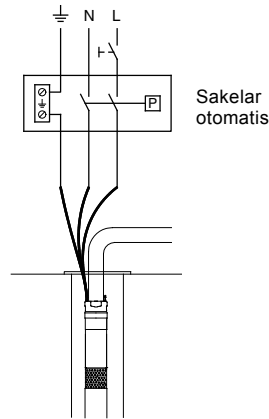
5.3 Penyambungan motor

Motor ini dilengkapi perangkat starter sehingga dapat langsung disambungkan ke listrik.

Menghidupkan/mematikan pompa biasanya akan dilakukan melalui sakelar otomatis. Lihat gbr. 4.



Sakelar otomatis harus diukur untuk amp maksimum dari ukuran pompa tertentu.



Gbr. 4

6. Pemasangan

6.1 Umum

PERINGATAN

Kejut listrik

Kematian atau luka serius



- Sebelum menangani pompa/motor ini, pastikan pasokan listrik sudah dimatikan dan tidak akan menyala tanpa disengaja.



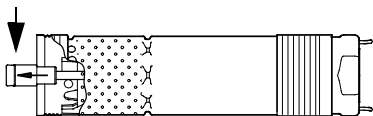
Jangan menurunkan atau pun mengangkat pompa dengan menggunakan kabel motor.

Apabila pelat data yang disertakan dengan pompa ini lepas, pasanglah di lokasi yang dekat dengan instalasi.

6.2 Merakit kembali suku cadang pompa dan motor

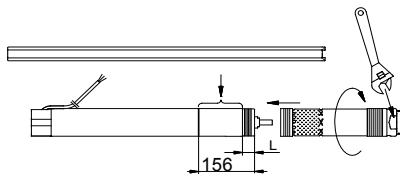
Untuk merakit kembali suku cadang pompa dan motor, lakukan sebagai berikut:

1. Tempatkan motor dalam posisi horizontal di tempat yang stabil lalu kencangkan. Lihat gbr. 6.
2. Tarik poros pompa hingga posisi yang ditunjukkan pada gbr. 5.



Gbr. 5

3. Olesi tepi poros motor dengan gemuk yang disertakan bersama motor.
4. Sekrup bagian pompa di atas motor (55 Nm). **Hati-hati:** Poros pompa harus bertemu dengan poros motor. Kunci pas dapat digunakan untuk menjepit bagian permukaan pompa. Lihat gbr. 6.



Gbr. 6

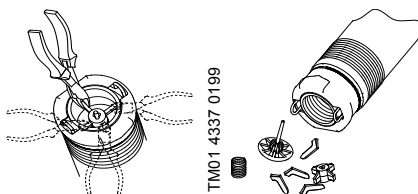
Motor (P2) [kW]	L [mm]
0.70	120
1.15	102
1.68	66
1.85	66

Setelah bagian pompa dan motor dirakit dengan benar, tidak boleh ada celah antara bagian pompa dan motor.

6.3 Melepas katup satu arah

Jika tidak membutuhkan pompa dengan katup satu arah, katup tersebut dapat dilepas dengan cara berikut:

1. Potong kaki pemandu katup dengan menggunakan tang potong atau alat serupa. Lihat gbr. 7.
2. Balikkan pompa.
3. Pastikan semua bagian yang longgar terjatuh dari pompa.



Gbr. 7



SQE-NE disediakan tanpa katup satu arah.

Katup satu arah dapat dipasang dalam lokakarya layanan Grundfos.

6.4 Memasang steker kabel ke motor

PERINGATAN

Kejut listrik

Kematian atau luka serius



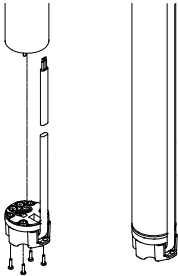
- Steker motor tidak boleh dilepas oleh pengguna.
- Kabel dengan steker harus dipasang atau dilepas oleh teknisi servis resmi dari Grundfos atau orang dengan keahlian serupa.

Uraian berikut secara khusus untuk teknisi servis. Jika kabel motor perlu diganti, lihat bagian [5.1 Umum](#).

Steker kabel yang disediakan bersama motor ini sudah diberi pelumas dari pabrik. Pastikan steker sudah diberi pelumas dengan benar.

Untuk memasang steker kabel, lakukan sebagai berikut:

1. Pastikan jenis, penampang dan panjang kabel sudah tepat.
2. Pastikan listrik di lokasi tersebut menggunakan pembumian yang benar.
3. Pastikan soket motor dalam keadaan bersih dan kering. Pastikan gasket yang longgar telah dikencangkan.
4. Tekan steker kabel ke soket motor. Steker tidak boleh salah pasang. Lihat [gbr. 8](#).



Gbr. 8

TM02 9605 3504

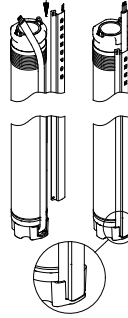
5. Pasang dan kencangkan keempat sekrupnya (1 - 1,5 Nm). Lihat [gbr. 8](#).

Setelah steker terpasang, tidak boleh ada celah antara motor dan konektor kabel.

6.5 Memasang penyangga kabel

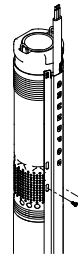
Untuk memasang penyangga kabel, lakukan sebagai berikut:

1. Pastikan kabel kedap air dalam keadaan rata dalam penyangga kabel.
2. Tempatkan penyangga kabel sejajar dengan steker kabel. Kedua sirip dari pelindung kabel harus menempel dengan tepi atas selongsong pompa. Lihat [gbr. 9](#).



Gbr. 9

3. Kencangkan pelindung kabel ke saringan hisap pompa dengan dua sekrup tapping yang disediakan. Lihat [gbr. 10](#).



Gbr. 10

TM02 9613 3504

TM01 4427 0299

6.6 Ukuran kabel

Grundfos dapat menyediakan kabel kedap air untuk semua jenis instalasi.



Penampang kabel kedap air harus cukup besar untuk memenuhi persyaratan tegangan yang ditetapkan dalam bagian [5.1 Umum](#).

Nilai tabel di bawah ini dihitung dari rumusan berikut:

$$q = \frac{I \times 2 \times 100 \times PF \times L \times \rho}{U \times \Delta U}$$

q = Penampang kabel kedap air [mm²].

I = Nilai arus maksimum motor [A].

PF = 1.0.

L = Panjang kabel kedap air [m].

ρ = Resistensi spesifik: 0,02 [$\Omega\text{mm}^2/\text{m}$].

U = Tegangan nominal [V].

ΔU = Tegangan turun [%] = 4 %.

Tegangan turun 4 % sesuai standar IEC 3-64, Seri HD-384.

Perhitungannya menghasilkan panjang kabel maksimum berikut pada tegangan pasokan 240 V:

Panjang kabel maks. [m]

Motor (P2)	I_N	Ukuran kabel					
		1,5 mm ²	2,1 mm ² / 14 AWG	2,5 mm ²	3,3 mm ² / 12 AWG	4 mm ²	6 mm ²
[kW]	[A]						
0.7	5.2	80	112	133	176	213	320
1.15	8.4	50	69	83	109	132	198
1.68	11.2	37	52	62	82	99	149
1.85	12	35	49	58	76	92	139

6.7 Memasang kabel kedap air

Disarankan untuk menggabungkan kabel kedap air dan kabel motor dengan menggunakan kit terminasi kabel Grundfos, tipe KM.

Kit terminasi kabel, tipe KM	
Area penampang	Nomor produk
1,5 sampai 6,0 mm ²	96021473

Untuk penampang yang lebih luas, silakan hubungi Grundfos.

6.8 Penyambungan pipa

Jika menggunakan alat, misalnya kunci pipa rantai, ketika pipa pengangkat dipasang ke pompa, pompa harus dipegang oleh bagian pelepasan pompa.

Ketika menyambungkan pipa plastik, kopling kompresi harus digunakan antara pompa dan bagian pipa awal.

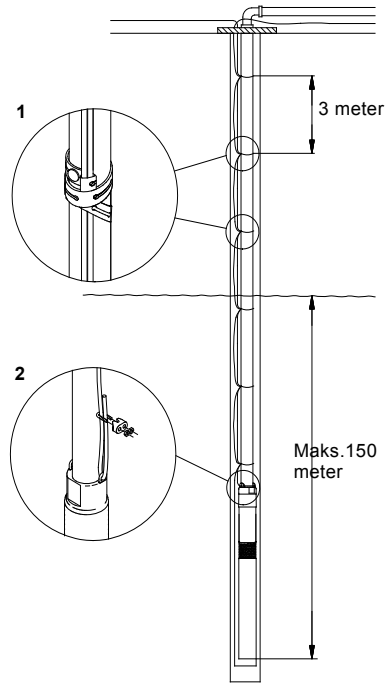


Untuk pompa yang dipasang dengan pipa plastik, penambahan pipa saat dimuat harus dipertimbangkan, ketika memutuskan kedalaman instalasi pompa.

Bila digunakan pipa flensa, flensa harus disiapkan untuk membawa kabel kedap air.

Gambar 11 menunjukkan instalasi pompa dengan indikasi:

- Posisi penjepit kabel, pos. 1, dan jarak antar klip.
- memasang kabel penyaring, pos. 2.
- kedalaman instalasi maksimum di bawah permukaan air statis.



Gbr. 11

6.8.1 Penjepit kabel

Penjepit kabel harus dipasang setiap 3 meter. Lihat gbr. 11.

Ketika menyambungkan pipa plastik, antara masing-masing penjepit kabel harus sedikit longgar karena pipa plastik mengembang saat dibebani.

Jika menggunakan pipa flensa, penjepit kabel harus dipasang di atas setiap sambungan.

6.8.2 Kedalaman instalasi

Kedalaman instalasi **maksimum** di bawah permukaan air statis: 150 meter. Lihat gbr. 11.

Kedalaman instalasi **minimum** di bawah permukaan air dinamis:

- **Instalasi vertikal:**
Saat dihidupkan dan dioperasikan, pompa harus selalu benar-benar terbenam dalam air.
- **Instalasi horizontal:**
Pompa harus dipasang dan dijalankan setidaknya 0,5 meter di bawah permukaan air dinamis.
Jika ada risiko pompa tertutup lumpur, pompa harus selalu dipasang dalam selongsong aliran.

TM01 0480 4397

6.8.3 Ketika menurunkan pompa ke dalam lubang bor

Disarankan untuk menahan pompa dengan kawat regang. Lihat gbr. 11, pos. 2.

Kendurkan kawat regang sehingga tidak menahan beban lalu kunci ke segel lubang bor dengan menggunakan kunci kabel.



Kawat regang tidak boleh digunakan untuk menarik pompa dengan pipa riser yang di luar lubang bor.



Jangan menurunkan atau pun mengangkat pompa dengan menggunakan kabel motor.

7. Memulai

Pastikan sumur dapat menghasilkan jumlah minimum air sesuai dengan kapasitas pompa.

Jangan menghidupkan pompa sebelum benar-benar terendam dalam cairan.

Hidupkan pompa dan jangan dimatikan sampai cairan yang dipompa benar-benar bersih, karena komponen pompa dan katup satu arah dapat tersumbat.

8. Pengoperasian

8.1 Laju aliran minimum

Untuk memastikan pendinginan motor, laju aliran pompa tidak boleh diatur ke nilai di bawah 50 l/jam.

Jika laju aliran tiba-tiba turun, mungkin karena pompa memompa lebih banyak air daripada kemampuan lubang bor. Pompa harus dimatikan dan masalah diperbaiki.



Perlindungan pompa bekerja tanpa cairan hanya efektif jika pompa bekerja dalam kisaran beban yang disarankan.

8.2 Pemilihan tangki diafragma dan pengaturan tekanan awal dan sakelar otomatis

PERINGATAN

Sistem bertekanan

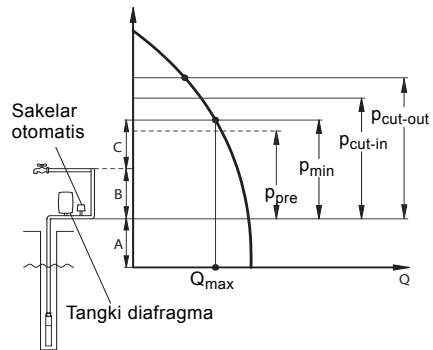
Kematian atau luka serius



- Instalasi harus dirancang untuk tekanan pompa maksimum.

Oleh karena pompa ini dilengkapi starter lembut yang memberikan waktu memulai 2 detik, tekanan pada sakelar otomatis dan tangki diafragma pada saat awal akan lebih rendah dari tekanan hidup pompa yang diatur pada sakelar otomatis (p_{cut-in}). Tekanan yang lebih rendah ini disebut tekanan minimum (p_{min}).

p_{min} sama dengan tekanan minimum yang diharapkan pada keran tertinggi + hambatan head dan head dalam pipa dari sakelar otomatis dan tangki diafragma ke keran tertinggi ($p_{min} = B + C$). Lihat gbr. 12.



Gbr. 12

- A: Hambatan head + head dari permukaan air dinamis ke tangki diafragma.
- B: Hambatan head + head dari tangki diafragma ke keran tertinggi.
- C: Tekanan minimum pada keran tertinggi.



Pastikan pompa yang dipilih dapat menghasilkan tekanan yang lebih tinggi dari $p_{cut-out} + A$.

- p_{pre} : Tekanan awal tangki diafragma.
- p_{min} : Tekanan minimum yang dikehendaki.
- p_{cut-in} : Tekanan cut-in diatur pada sakelar otomatis.
- $p_{cut-out}$: Tekanan cut-out diatur pada sakelar otomatis.
- Q_{max} : Aliran maksimum pada p_{min} .

TM00 6445 3795

8.3 Tekanan sistem air sumur kelebihan beban

Untuk melindungi dari tekanan berlebihan, pasanglah katup pelepas tekanan di bagian bawah kepala pompa. Setpoint pada katup pelepas tekanan harus minimal 30 psi di atas pengaturan tekanan. Jika Anda memasang katup pelepas, kami sarankan untuk menghubungkannya dengan titik drainase yang sesuai.

Menggunakan p_{min} dan Q_{max} : ukuran tangki diafragma **minimum**, pengaturan tekanan awal dan sakelar otomatis dapat ditemukan pada tabel pedoman berikut:

Contoh

$p_{min} = 35$ m head, $Q_{max} = 2,5$ m³/jam.
 Atas dasar informasi ini, nilai-nilai berikut dapat ditemukan dalam tabel ini:
 Ukuran tangki diafragma **minimum** = 33 liter.
 $p_{pre} = 31,5$ m head.
 $p_{cut-in} = 36$ m head.
 $p_{cut-out} = 50$ m head.

P_{min} [m]	Q_{max} [m ³ /jam]																		P_{pre} [m]	P_{cut-in} [m]	$P_{cut-out}$ [m]
	0.6	0.8	1	1.2	1.5	2	2.5	3	3.5	4	4.5	5	5.5	6	6.5	7	7.5	8			
Ukuran tangki diafragma [liter]																					
25	8	8	18	18	18	18	24	33	33	50	50	50	50	80	80	80	80	80	22.5	26	40
30	8	8	18	18	18	24	33	33	50	50	50	50	80	80	80	80	80		27	31	45
35	8	18	18	18	18	24	33	33	50	50	50	80	80	80	80	80			31.5	36	50
40	8	18	18	18	18	24	33	50	50	50	80	80	80	80	80				36	41	55
45	8	18	18	18	24	33	33	50	50	50	80	80	80	80					40.5	46	60
50	8	18	18	18	24	33	50	50	50	80	80	80	80						45	51	65
55	18	18	18	18	24	33	50	50	50	80	80	80							49.5	56	70
60	18	18	18	18	24	33	50	50	80	80	80	80							54	61	75
65	18	18	18	24	24	33	50	50	80	80	80	80							58.5	66	80

1 m head = 0,098 bar.

8.4 Perlindungan terpasang

Motor ini dilengkapi unit elektronik yang melindungi motor dalam berbagai situasi.

Apabila kelebihan beban, perlindungan beban berlebih terpasang akan menghentikan pompa selama 5 menit. Setelah itu, pompa akan mencoba untuk hidup kembali.

Jika pompa berhenti karena tidak ada cairan, pompa akan hidup secara otomatis setelah 5 menit.

Jika pompa dihidupkan kembali sedangkan lubang bor kosong, pompa akan mati setelah 30 detik.

Mengatur ulang pompa: Putuskan pasokan listrik selama 1 menit.

Motor dilindungi dalam kasus:

- pompa bekerja tanpa cairan,
- lonjakan tegangan (sampai 6000 V)
Di daerah dengan intensitas petir tinggi, diperlukan antipetir eksternal.
- tegangan arus listrik berlebih
- tegangan arus listrik terlalu rendah
- kelebihan beban
- suhu terlalu tinggi.

Pompa SQE/motor MSE 3



Melalui CU 300 atau CU 301, batas mati pompa bekerja tanpa cairan pada motor MSE 3 dapat disesuaikan agar cocok dengan aplikasi yang sebenarnya.

9. Pemeliharaan dan servis

Pompa biasanya bebas perawatan.

Bisa timbul endapan dan aus. Untuk itu, kit servis dan alat servis tersedia di Grundfos. Manual Servis Grundfos disediakan sesuai permintaan.

Pompa dapat diservis di pusat layanan Grundfos.

9.1 Pompa yang tercemar



Jika pompa telah digunakan untuk cairan yang membahayakan kesehatan atau beracun, pompa akan dikategorikan sebagai tercemar.

Jika Grundfos diminta untuk menyervis pompa, Grundfos harus dihubungi dengan memberikan rincian tentang cairan dipompa, dll *sebelum* pompa dikembalikan untuk diservis. Jika tidak demikian, maka pihak Grundfos dapat menolak untuk melakukan perbaikan pada pompa.

Bagaimanapun juga, setiap aplikasi untuk layanan perbaikan (siapa pun pemohonnya) harus menyertakan keterangan rinci mengenai cairan yang dipompa, jika pompa telah digunakan untuk cairan beracun atau cairan yang berbahaya bagi kesehatan.

SQE-NE: Hanya pompa yang diber sertifikat tidak terkontaminasi, yaitu pompa yang tidak mengandung bahan berbahaya dan/atau beracun, yang dapat dikembalikan ke Grundfos untuk diperbaiki.

Untuk mencegah gangguan kesehatan orang yang menangani dan gangguan lingkungan, diperlukan dokumen yang menyatakan bahwa pompa tersebut sudah bersih.

Grundfos harus menerima sertifikat ini lebih dahulu sebelum produknya. Jika tidak demikian, maka pihak Grundfos akan menolak memperbaiki produk tersebut.

Biaya pengembalian/pengiriman pompa ditanggung oleh pelanggan.

10. Tabel pencarian masalah

HATI-HATI

Kejut listrik



Luka ringan atau sedang

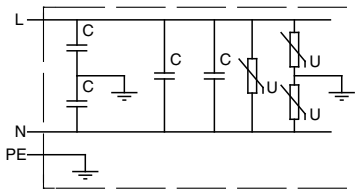
- Sebelum menangani pompa/motor ini, pastikan pasokan listrik sudah dimatikan dan tidak akan menyala tanpa disengaja.

Masalah	Sebab	Solusi
1. Pompa tidak bekerja.	a) Sekring dalam instalasi listrik terbakar.	Ganti sekring yang terbakar. Jika sekring yang baru juga terbakar, instalasi listrik dan kabel keadap air harus diperiksa.
	b) ELCB atau ELCB yang berbasis tegangan telah rusak.	Putuskan pada pemutus sirkuit.
	c) Tidak ada pasokan listrik.	Hubungi petugas perusahaan listrik.
	d) Perlindungan motor telah memutus pasokan listrik karena kelebihan beban.	Periksa apakah motor/pompa tersumbat.
	e) Pompa/kabel keadap air rusak.	Perbaiki/ganti pompa/kabel.
	f) Tegangan berlebih atau kurang.	Periksa pasokan listrik.
2. Pompa bekerja, tetapi tidak mengalirkan air.	a) Katup pelepasan tertutup.	Buka katup tersebut.
	b) Tidak ada air atau tingkat air terlalu rendah dalam lubang bor.	Lihat butir 3 a).
	c) Katup satu arah tersangkut dalam posisi tertutup.	Tarik keluar pompa lalu bersihkan atau ganti katup.
	d) Saringan hisap yang tersumbat.	Tarik keluar pompa lalu bersihkan saringan.
	e) Pompa telah rusak.	Perbaiki/ganti pompa.
3. Kapasitas pompa menurun.	a) Penghisapan lebih besar daripada kemampuan.	Tambah kedalaman instalasi pompa, persempit saluran pompa atau ganti dengan model yang lebih kecil untuk mendapatkan kapasitas yang lebih kecil.
	b) Katup pada pipa pelepasan tertutup/tersumbat sebagian.	Periksa lalu bersihkan/ganti katup bila perlu.
	c) Pipa hisap tersumbat sebagian oleh kotoran (oker).	Bersihkan/ganti pipa pelepasan.
	d) Katup satu arah pompa tersumbat sebagian.	Tarik keluar pompa lalu periksa/ganti katup tersebut.
	e) Pompa dan pipa riser sebagian tersumbat oleh kotoran (oker).	Tarik keluar pompa. Periksa lalu bersihkan atau ganti pompa, bila perlu. Bersihkan pipa.
	f) Pompa telah rusak.	Perbaiki/ganti pompa.
	g) Kebocoran pada pipa.	Periksa dan perbaiki pipa.
	h) Pipa riser rusak.	Ganti pipa riser.
	i) Tegangan berlebih.	Periksa pasokan listrik.

Masalah	Sebab	Solusi
4. Sering hidup dan mati.	a) Diferensial tekanan hidup dan mati pada sakelar otomatis terlalu kecil.	Naikkan tekanan diferensial. Namun, tekanan mati tidak boleh melebihi tekanan operasi pada tangki tekan, dan tekanan awal harus cukup tinggi untuk menjamin pasokan air yang cukup.
	b) Elektroda tingkat air atau sakelar permukaan di reservoir belum dipasang dengan benar.	Sesuaikan interval elektroda/sakelar apung untuk memastikan waktu yang tepat antara hidup dan matinya pompa. Lihat petunjuk pemasangan dan pengoperasian untuk perangkat otomatis yang digunakan. Jika interval antara hidup/mati tidak dapat diubah melalui sistem otomatis, kapasitas pompa dapat dikurangi dengan menyempitkan katup pelepasan.
	c) Katup satu arah bocor atau macet setengah-terbuka.	Tarik keluar pompa lalu bersihkan/ganti katup satu arah.
	d) Tegangan listrik tidak stabil.	Periksa pasokan listrik.
	e) Suhu motor terlalu tinggi.	Periksa suhu air.

10.1 Penggunaan Alat Ukur Megger

Dilarang menggunakan alat ukur megger pada instalasi yang menggunakan pompa SQ/SQE, karena elektronik yang ada di dalamnya bisa rusak. Lihat gbr. 13.



TM02 0689 5000

Gbr. 13

11. Memeriksa pasokan listrik

PERINGATAN

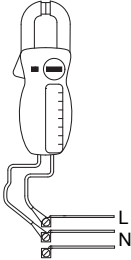
Kejut listrik

Kematian atau luka serius



- Sebelum menangani pompa/motor ini, pastikan pasokan listrik sudah dimatikan dan tidak akan menyala tanpa disengaja.

1. Tegangan arus listrik

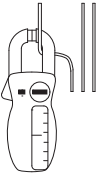


TM00 1371 4904

Ukurlah tegangan (RMS) antara fase dan netral. Hubungkan voltmeter ke terminal pada sambungan.

Ketika motor diberi beban, tegangan arus listrik harus berada dalam kisaran yang ditetapkan di bagian [5. Sambungan listrik](#). Besar variasi dalam tegangan arus listrik menunjukkan buruknya pasokan listrik, dan pompa harus dimatikan sampai masalah tersebut diperbaiki.

2. Konsumsi saat ini



TM00 1372 5082

Ukurlah arus (RMS) saat pompa beroperasi pada head pelepasan yang konstan (bila memungkinkan, pada kapasitas motor dengan beban terberat).

Untuk keterangan arus maksimum, lihat pelat label.

Jika arus melebihi arus beban penuh, beberapa masalah berikut ini dapat timbul:

- Koneksi pada di bagian ujung, mungkin dalam sambungan kabel.
- Pasokan tegangan arus listrik terlalu rendah, lihat item 1.

12. Lingkungan

Selama penanganan, operasi, penyimpanan dan pengangkutan, semua peraturan lingkungan yang terkait dengan penanganan bahan berbahaya harus diperhatikan.

PERINGATAN

Bahan berkarat

Kematian atau luka serius



- Ketika pompa dikeluarkan dari instalasi, harus dipastikan bahwa tidak ada bahan berbahaya yang tersisa dalam pompa/motor dan pipa riser, yang dapat membahayakan orang maupun lingkungan.

Jika merasa ragu, hubungi Grundfos atau pihak berwenang setempat.

13. Pembuangan

Produk ini beserta komponennya harus dibuang dengan cara yang ramah lingkungan:

1. Gunakan layanan pengumpul sampah pemerintah atau pun swasta.
2. Jika ini tidak memungkinkan, hubungi pusat servis atau perusahaan Grundfos terdekat.

Dapat diganti.

Қазақша (KZ) Орнату және пайдалану нұсқаулықтары

Ағылшын түпнұсқалық данасының аудармасы

МАЗМҰНЫ

	Беті
1. Таңбалар мен жазулардың мағынасы	382
2. Жалпы мәліметтер	383
2.1 Мақсаты	383
3. Техникалық деректер	384
3.1 Сақтау	384
3.2 Шуыл деңгейі	384
4. Дайындау	384
4.1 Электр қозғалтқышқа сұйықтықты үстемелеп құю	384
4.2 Сорғыны орнату қалпына қойылатын талаптар	385
4.3 Сұйықтық температурасы/суыту	385
5. Электр жабдығын жалғау	386
5.1 Жалпы мәліметтер	386
5.2 Электр қозғалтқышты қорғау	386
5.3 Электр қозғалтқышты қосу	386
6. Орнату	387
6.1 Жалпы мәліметтер	387
6.2 Сорғыны электр қозғалтқышқа қосу	387
6.3 Кері клапанды бөлшектеу	387
6.4 Кабельдің штекерді электр қозғалтқышына қосу	388
6.5 Кабельдің қорғаныш планкасын орнату	388
6.6 Кабельді таңдау	389
6.7 Батырылатын кабельдің көлденең қимасын орнату	390
6.8 Құбырға жалғау	390
7. Іске қосу	391
8. Пайдалану	391
8.1 Минималды шығын мәні	391
8.2 Диафрагмалық қысым гидробагін таңдау, тірек және қысым релесінің қысымын реттеу	391
8.3 Ұңғыма жүйесінің қысымы артық жүктелген	392
8.4 Кірістірілген қорғау жүйесі	393
9. Күтім жасау және техникалық қызмет көрсету	393
9.1 Ластанған сорғы	393
10. Ақаулықтарды табу	394
10.1 Изоляция кедергісінің өлшемдері	395
11. Электр қорегін тексеру	396
12. Экология талаптары	396
13. Жою	396



Орнатуға кіріспес бұрын, осы құжатты оқып шығыңыз. Орнату мен пайдалану әрекеті жергілікті ережелер мен жұмыс жүргізу тәжірибесінің қабылданған заңдарына сәйкес орындалуы қажет.

Бұл құрылғыны 8 жасқа толған және одан асқан балаларға, физикалық, ақыл-ой қабілеті шектеулі, құрылғыны пайдалану тәжірибесі не білімі жоқ адамдар қауіпсіздік техникасы туралы нұсқауларымен және қолдану барысында мүмкін болатын зиян-зардабымен танысса ғана пайдалана алады.



Балалар құрылғымен ойнамауы керек. Балалар тазалауды және пайдаланушылық техникалық қызмет көрсетуді қадағалаусыз орындамауы керек

1. Таңбалар мен жазулардың мағынасы

ҚАУІПТІ



Егер орын алған жағдайда, өлімге немесе ауыр дене жарақатына алып келетін қауіп-қатерді білдіреді.

НАЗАР АУДАРЫҢЫЗ



Егер орын алған жағдайда, өлімге немесе ауыр дене жарақатына алып келуі мүмкін қауіп-қатерді білдіреді.

САҚТАН



Егер орын алған жағдайда, жеңіл немесе орташа дене жарақатына алып келуі мүмкін қауіп-қатерді білдіреді.

Үш қауіптілік белгісін - ҚАУІПТІ, НАЗАР АУДАРЫҢЫЗ және САҚТАН, қамтитын мәтін келесі әдіспен құрастырылады:

СИГНАЛ СӨЗІ



Қауіптілік сипаттамасы

Ескертуді елемеудің салдары.
- Қауіп-қатерге жол бермеу шаралары.



Ақ графикалық таңбасы бар көк немесе сұр шеңбер қауіп-қатерді болдырмау үшін шара қолдану керек дегенді білдіреді.



Қиғаш сызығы, мүмкін қара графикалық таңбасы бар қызыл немесе сұр шеңбер шара қолданбау немесе тоқтату керек дегенді білдіреді.



Егер осы нұсқаулар қадағаланбаса, бұл жабдықтың дұрыс емес жұмыс істеуіне не бұзылуына әкелуі мүмкін.



Оңай жұмыс істеуді және қауіпсіз пайдалануды қамтамасыз ететін ескертпелер мен нұсқаулар.

2. Жалпы мәліметтер

НАЗАР АУДАРЫҢЫЗ

Электр тогымен зақымдану

Өлім қаупі немесе ауыр дене жарақаты
- Адамдар судың ішінде болған жағдайда сорғыны қолдануға тыйым салынады.

Бұл орнату және пайдалану нұсқаулығының 412-бетінен сорғы мен электр қозғалтқыштың фирмалық тақтайшасының көшірмесі берілген.

SQ/SQE сорғысын ұңғымаға/құдыққа түсіруден бұрын бұл бет сорғы мен электр қозғалтқыштың фирмалық тақтайшасында көрсетілген деректермен толтырылуы керек.

Бұл орнату және пайдалану бойынша нұсқаулық орнату және пайдалану орнында сақталып, анықтама оқулығы ретінде қызмет етуі тиіс.

2.1 Мақсаты

SQ және **SQE**сериясының сорғылары құрамында қатты түйіршіктер немесе талшықтары болмайтын таза, жарылу қаупі жоқ сұйықтықтарды айдауға арналған.

Әдетте бұл сорғылар қолданылады:

- Сумен қамтамасыз ету жүйесінде жер асты суларын беру үшін
 - жеке үйлерде
 - шағын су құбыры станциялары үшін
 - ирригациялық жүйелер, мысалы, жылыжайлар үшін.
- Суды резервуарларға айдау үшін.
- Қысымды арттыру жүйелерінде.

SQE-NE сериялы сорғылар құрамында қатты түйіршіктер немесе талшықтары болмайтын таза, жарылу қаупі жоқ сұйықтықтарды айдауға арналған.

Бұл сорғыларды ластанған немесе құрамында гидрокарбонат бар жер асты суларын айдау үшін қолдануға болады:

- қоқыс тасталатын жерлерде
- химиялық қалдықтар тасталатын жерлерде
- өнеркәсіпте
- жанар-жағармай құю станцияларда
- экология саласында.

SQE-NE сериялы сорғыларды, сондай-ақ, су сынамаларын алу және құдықтар жағдайын бақылау үшін қолдануға, сондай-ақ, белгілі бір шекпен суды дайындау жүйесіне кірістіруге болады.

Барлық сорғы типтеріне қатысты

Құм құрамындағы судың ең көп көлемі 50 г/м³ деңгейінен аспауы тиіс. Бұл көрсеткіштен көп болуы пайдалану мерзімін азайтып, сорғының блокталуы қаупін арттырады.

Егер тұтқырлығы бар сұйықтықтар су тығыздығынан соруы жоғары болса, Grundfos фирмасына хабарласыңыз.

рН көрсеткіші

SQ және SQE: 5-тен 9-ға дейін.

SQE-NE: Grundfos фирмасына хабарласыңыз.

Сұйықтық температурасы

Жұмыс сұйықтығының макс. температурасы 35 °C деңгейінен аспауы тиіс.

Ескерту

3. Техникалық деректер

Қуат көрнеуі

1 x 200-240 В, - 10 %/+ 6 %, 50/60 Гц, РЕ.
Генератордан пайдалану: Генератор қуаттылығы кемінде қозғалтқыштың P_1 [кВт] + 10 % минимум қуаттылық мәніне тең болуы тиіс.

Іске қосу тогы:

Қозғалтқыштың іске қосу тогы қозғалтқыштағы кестеде келтірілген максималды мәнге сәйкес келеді.

Қуат коэффициенті

PF = 1.

Қозғалтқыштағы сұйықтық

SML 2 типті.

Электр қозғалтқышының кабелі

1,5 м, 3 x 1,5 мм², РЕ.

Сұйықтық температурасы

Максимум 35 °С.

Сорғы шығымының өлшемі

SQ 1, SQ 2, SQ 3: Rp 1 1/4.

SQ 5, SQ 7: Rp 1 1/2.

Сорғы диаметрі

74 мм.

Құдық диаметрі

Минимум 76 мм.

Орнату тереңдігі

Су деңгейінен макс. 150 м төмен.

[6.8.2 Орнату тереңдігі](#) бөлімін де қараңыз.

Таза салмағы

Максимум 6,5 кг.

3.1 Сақтау

Сақтау температурасы: -20 °С бастап +60 °С дейін.

3.1.1 Төмен температурадан қорғау

Егер сорғы пайдаланылғаннан кейін сақтауға қойылатын болса, бұл мақсаттарда қоршаған орта температурасы минус мәнінен жоғары орынды таңдау керек немесе электр қозғалтқышқа құйылған сұйықтықтың аязға төзімді екеніне көз жеткізіңіз.

Электр қозғалтқыш осы құйылған сұйықтықпен бірге сақталуы тиіс.

3.2 Шуыл деңгейі

Сорғының дыбыстық қысым деңгейі Еуроодақ Кеңесінің машина жасау саласына қатысты 2006/42/ЕС директивасында көрсетілген шекті мәндерден төмен.

4. Дайындау

Соорғылар сұйық жағармайлы сырғу подшипниктерімен жабдықталған Grundfos MS 3 және MSE 3 батырылатын электр қозғалтқыштарымен жасақталған. Арнайы сұйықтықпен толтыру қажет етілмейді.

Батырылатын электр қозғалтқыштары дайындаушы зауытта (SML 2 типті) арнайы сұйықтықпен толтырылады, бұл сұйықтықтың қату нүктесі бактериялардың өсуіне жол бермейтін -20 °С деңгейінен төмен болады.

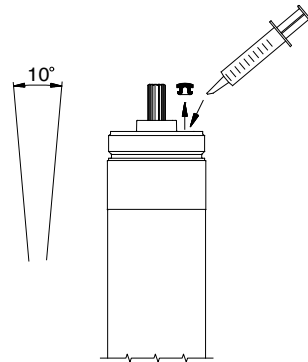
Электр қозғалтқыштағы сұйықтық деңгейі подшипниктер мен электр қозғалтқыштың қызмет мерзіміне үлкен әсерін тигізеді.

4.1 Электр қозғалтқышқа сұйықтықты үстемелеп құю

Егер қандай да бір себеппен мотор сұйықтығы ағып кеткен немесе құрғап кеткен болса, электр қозғалтқышы Grundfos SML 2 сұйықтығымен толтырылуы тиіс.

Электр қозғалтқышқа сұйықтық құю үшін төмендегілерді орындау қажет:

1. Кабельдің қорғаныш планкасын шығарып, сорғы мен электр қозғалтқышын ажырату.



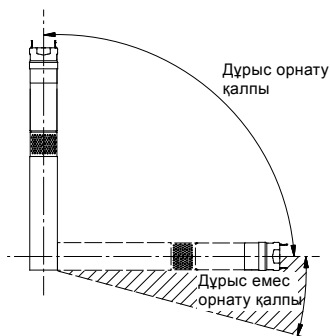
1. сур.

2. Электр қозғалтқышты тік қалпында шамамен 10 ° бұрышымен орнату.
3. Бұрауыш көмегімен құю саңылауының оймалы тығынын шығарып алу.
4. Құю шприці немесе ұқсас құрал көмегімен электр қозғалтқышына сұйықтықты құю керек.
5. Электр қозғалтқышта жиналған ауаның атмосфераға шығуы үшін оны жан-жағына шайқаңыз.
6. Орнына құю саңылауының оймалы тығынын бекітіп, оны қатты тартыңыз.
7. Сорғыны электр қозғалтқышпен жинау.
8. Орынға қорғаныш кабель планасын қайта орнату.

Енді сорғы орнатуға дайын.

4.2 Сорғыны орнату қалпына қойылатын талаптар

Сорғыны тік немесе көлденең қалыпта орнатуға болады, алайда, сорғы оның білігі **ешқашан** көлденең жазықтықтан төмен болатындай етіп орналастырылмайуы керек. 2-суретті қараңыз.



TM01 1375 4397

2. сур.

Егер сорғы көлденең, мысалы, резервуарда орнатылса, сорғыны қаптамадағы сорғыш қуыспен пайдалану ұсынылады.

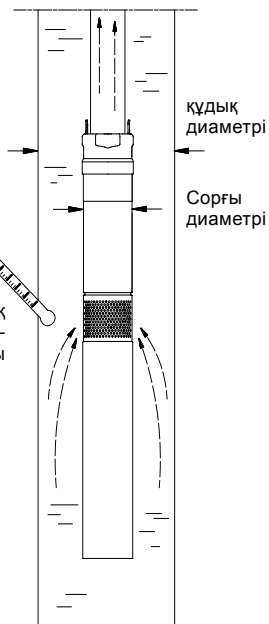
Сорғыны батыру тереңдігін **6.8.2 Орнату тереңдігі** бөлімінен қараңыз.

4.3 Сұйықтық температурасы/суыту

3-суретт құдыққа орнатылған SQ/SQE сорғысы көрсетілген. Сорғы жұмыс істейді.

3-суретте келесілер көрсетілген:

- құдық диаметрі
- Сорғы диаметрі
- жұмыс сұйықтығының температурасы
- электр қозғалтқышты сорғының сорғыш торлы сүзгісіне қарай жолда жанап өтетін ағын бағыты.



TM01 0518 1297

3. сур.

Қозғалтқыштың жеткілікті түрде салқындауына қол жеткізу үшін сұйықтықтың барлық жағдайларда максималды температура 35 °C деңгейін қадағалау керек.



Құдықтың минималды диаметрі 76 мм-ге (шамамен 3 дюйм) тең болуы керек.

Орнату кезіндегі электр қозғалтқышының қалпы ұдайы құдық сүзгісінен жоғары тұруы керек. Егер қаптамада орналасқан қуысты сорғы қолданылатын болса, сорғының құдықтағы қалпын еркіңізше орнатуға болады.



Сорғы жабық қысымды тізбекте 5 минуттан аспайтын уақыт жұмыс істей алады. Егер қысымды тізбек жабық болса, суыту ағыны болмайды және қозғалтқыш пен сорғының қызып кету қаупі туындайды.

Егер жұмыс сұйықтығының нақты температурасы рұқсат етілетін мәннен асатын болса немесе пайдалану шарттары техникалық талаптармен белгіленген шектерден шығатын болса, сорғы өшірілуі мүмкін. Grundfos фирмасына хабарласыңыз.

5. Электр жабдығын жалғау

5.1 Жалпы мәліметтер

Электр жабдығын қосу арнайы маман арқылы, жергілікті электрмен қамтамасыз етуші кәсіпорынның ережелеріне сәйкес орындалуы қажет.

НАЗАР АУДАРЫҢЫЗ

Электр тогымен зақымдану

Өлім қаупі немесе ауыр дене жарақаты

- Сорғыда жұмыс жүргізуді бастамас бұрын электр қорегінің өшіріліп, оның кездейсоқ қосылуына жол бермейтін барлық шаралардың қабылдануына көз жеткізіңіз.
- Сорғы жерге қосылуы керек.
- Сорғының электр қорегі тізбегінде желілік сақтандырғыш пен сыртқы желілік сөндіргішті өшірген кезде әрбір полюс үшін 3 мм-ден кем болмауы керек.
- Егер электр қозғалтқышы кабелі бұзылған болса, Grundfos компаниясымен ауыстырылуы тиіс, Grundfos өкілетті сервистік шеберханасы немесе басқа білікті мамандар арқылы жүзеге асырылуы тиіс.



Қорек кернеуі, максималды ток пен (PF) туралы деректер электр қозғалтқыштың техникалық деректері берілген фирмалық тақтайшадан алынуы керек.

Grundfos фирмасының ұңғымалық электр қозғалтқыштары үшін қажетті электр қозғалтқыштары қысқыштарында өлшенген желі кернеуінің ауытқуларының диапазоны үздіксіз пайдалану кезінде (электр қорегі желісіндегі кернеу ауытқулары мен кабельдегі шығындар) кернеудің номиналды мәнінің - 10 %/+ 6 % мөлшерін құрауы керек.

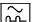
НАЗАР АУДАРЫҢЫЗ

Электр тогымен зақымдану

Өлім қаупі немесе ауыр дене жарақаты

- Егер сорғы қосымша қорғаныс ретінде апаттық токтан қорғау релесі (ELCB) қолданылатын электр желісіне қосылған болса, қолданылатын реле түрі апаттық айнымалы ток пайда болған кезде, сол сияқты тұрақты токтың жүріп тұруы кезінде іске қосылуы **керек**.



Мұндай қорғаныс релесі типінде келесі таңбалы белгі болуы **керек**: .

Қуат кернеуі

1 x 200-240 В, - 10 %/+ 6 %, 50/60 Гц, PE.

Тұтынылатын ток тек қолданыстағы немесе тиімді ток мәнін тіркейтін бақылау-өлшеу аспаптарымен өлшенуі тиіс. Кез келген басқа бақылау-өлшеу құрылғыларын қолданған жағдайда өлшенген мәндер нақты мәндерден өзгеше болады.

SQ/SQE сорғыларының жылыстау тогы 230 В, 50 Гц мәнінде 2,5 мА көрсеткішін құрайды және стандартты тәсілмен өзгертіле алады. Жылыстау тогы қорек кернеуіне пропорционалды болады. SQE және SQE-NE түріндегі сорғылар CU 300 немесе CU 301 типіндегі басқару блогына қосыла алады.



Сорғыны CU 300 немесе CU 301 орнына конденсатор арқылы немесе басқа басқару шкафымен қосуға болмайды. Сорғыны еш уақытта жиілік түрлендіргішіне қосуға болмайды.

5.2 Электр қозғалтқышты қорғау

Қозғалтқышта ендірілген жылу релесі болатындықтан, ол қосымша қорғанысты қажет етпейді.

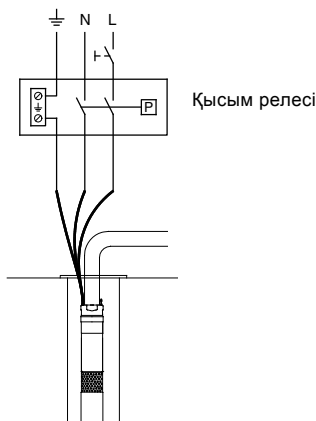
5.3 Электр қозғалтқышты қосу

Электр қозғалтқыштың кірістірілген іске қосқышы бар, сондықтан сөндіргіш арқылы электр қорегі желісіне тікелей қосыла алады.

Сорғының электр қозғалтқышын қосу/тоқтату әдетте қысым релесімен орындалады. 4-суретті қараңыз.



Қысым релесі сорғының сәйкес типінің макс. мәні бойынша таңдалуы тиіс.



4. сур.

6. Орнату

6.1 Жалпы мәліметтер

НАЗАР АУДАРЫҢЫЗ

Электр тогымен зақымдану

Өлім қаупі немесе ауыр дене жарақаты



- Кез келген жұмыстарды өткізу алдында электр қорегінің өшірілгені мен оның кездейсоқ қосылуына жол бермейтін барлық шаралардың қабылданғанына көз жеткізіңіз.



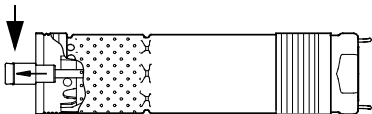
Сорғыны еш уақытта электр қозғалтқышының кабелімен түсіруге немесе көтеруге болмайды.

Сорғыдан жеке жеткізілетін сорғының техникалық деректері берілген сорғыны орнату орнына тікелей жақын жерге бекітілуі тиіс.

6.2 Сорғыны электр қозғалтқышқа қосу

Сорғыны электр қозғалтқышпен жинақтау үшін келесі операцияларды орындау қажет:

1. Электр қозғалтқышты қысқышта көлденең қалыппен орнатып, оны қысыңыз. 6-суретті қараңыз.
2. Сорғының білігін 5-суретте көрсетілген позицияға келтіріңіз.



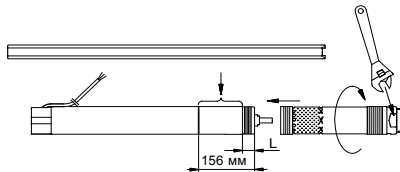
TM02 8425 5203

5. сур.

3. Электр қозғалтқыш білігінің ұшына электр қозғалтқыш жеткізілімінің жинағына кіретін консистенттік жағармай жағыңыз.
4. Сорғының өзін электр қозғалтқышқа 55 (Нм) бұраңыз.

Сақ болыңыз: Сорғы білігі электр қозғалтқыш білігінің ілгегіне енгізілуі тиіс.

Бұл үшін сорғыны осы орында гайка кілтпен қысу үшін арналған сорғы бетіндегі біліктерді пайдалануға болады. 6-суретті қараңыз.



TM01 2854 3804

6. сур.

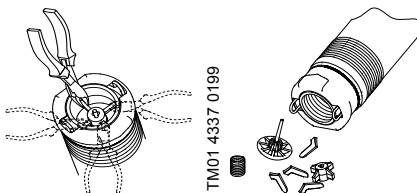
Электр қозғалтқыш (P2) [кВт]	L [мм]
0,70	120
1,15	102
1,68	66
1,85	66

Егер сорғы мен электр қозғалтқыш дұрыс жинақталған болса, олардың арасында саңылау болуы тиіс.

6.3 Кері клапанды бөлшектеу

Қажет болған жағдайда кері клапан келесідей бөлшектенуі тиіс:

1. Тістеуік немесе ұқсас құралмен клапан аяқтарын алып тастаңыз. 7-суретті қараңыз.
2. Сорғыны клапан басы төменде болатындай етіп бұраңыз.
3. Бекітілмеген клапандар бөліктерінің барлығы сорғыдан алынғанын тексеріңіз.



TM01 4337 0199

TM01 4338 0199

7. сур.



SQE-NE сорғылары кері клапансыз жеткізіледі.

Кері клапанды Grundfos сервистік орталығында орнатуға болады.

6.4 Кабельдік штекерді электр қозғалтқышына қосу

НАЗАР АУДАРЫҢЫЗ

Электр тогымен зақымдану

Өлім қаупі немесе ауыр дене жарақаты



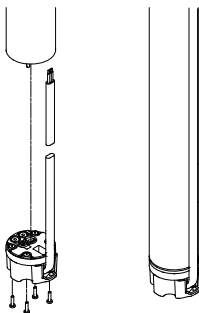
- Пайдаланушы ешбір жағдайда электр қозғалтқыш ашасын алмауы керек.
- Кабель және штекер Grundfos компаниясының техниктерімен немесе сәйкес біліктілікке ие мамандарымен орнатылуы және бөлшектенуі тиіс.

Төменде келтірілген сипаттама тек сервистік персонал үшін арналған. Электр қозғалтқыш кабелін ауыстыру қажет болатын жағдайда, [5.1 Жалпы мәліметтер](#) бөлімін қараңыз.

Электр қозғалтқыш жинағына кіретін кабельдік штекер зауытта сәйкес жағармаймен қамтамасыз етіледі. Штекердің жанармаймен толық қамтамасыз еткеніне көз жеткізіңіз.

Кабельдік штекерді қосу үшін келесі операцияларды орындау қажет:

1. Кабельдің типі, көлденең қимасы мен ұзындығының қажетті мәндерге сәйкестігін тексеру.
2. Қоректендіргіш электр желісінің электр қозғалтқышты орнату орнына тиісті түрде жерге қосылуын тексеру.
3. Электр қозғалтқыштың штекерлік ажырандысы құрғақ әрі таза болуын тексеріңіз. Тығыздағыштың орнатылғанына көз жеткізіңіз.
4. Штекерді электр қозғалтқыштың ажырандысына енгізіңіз. Штекердің дұрыс қосылмауына жол бермеңіз. [8-суретті](#) қараңыз.



8. сур.

5. Төрт винтті орнатып, қатты тартып бұраңыз (1 - 1,5 Нм). [8-суретті](#) қараңыз.

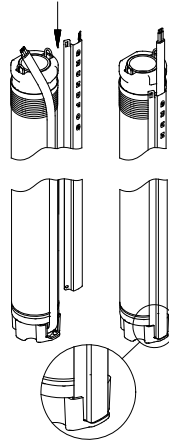
Егер кабельдік штекер электр қозғалтқышқа қосылған болса, олардың арасында саңылау болуы тиіс.

TM02 9605 3504

6.5 Кабельдің қорғаныш планкасын орнату

Кабельдің қорғаныш планкасын орнату үшін келесі операцияларды орындау қажет:

1. Кабель су өткізбейтін қабатта қорғаныш планкада тегіс салынғанына көз жеткізіңіз.
2. Кабель манжетін штекер науасына орнатыңыз. Кабельдің қорғаныш планкасының екі табаны сорғы гильзасының жоғарғы жиектеріне енуі тиіс. [9-суретті](#) қараңыз.



9. сур.

3. Кабельдің қорғаныш планкасын екі винтпен жеткізілімге кіретін кіріс сүзгіге бекітіңіз. [10-суретті](#) қараңыз.



10. сур.

TM02 9613 3504

TM01 4427 0299

6.6 Кабельді таңдау

Grundfos фирмасы электр жабдығын орнатудың барлық түрлері үшін батырылатын электр кабельдерін жеткізеді.



Батырылатын кабельдің көлденең қималары [5.1 Жалпы мәліметтер](#) бөлімінде көрсетілген кернеу параметрлеріне сәйкес келуі керек.

Төменде келтірілген кестедегі мәндер келесі формула бойынша есептік жолмен алынады:

$$q = \frac{I \times 2 \times 100 \times PF \times L \times \rho}{U \times \Delta U}$$

q = батырылатын кабельдің көлденең қимасы [мм²].

I = электр қозғалтқыштың максималды рұқсат етілетін тогы [A].

PF = 1,0.

L = батырылатын кабельдің ұзындығы [м].

ρ = үлестік кедергі: 0,02 [Ом мм²/м].

U = номиналды кернеу [В].

ΔU = кернеудің төмендеуі [%] = 4 %.

Кернеудің төмендеу мәні 4 % IEC 3-64, HD-384 Series талаптарына сәйкес келеді.

Есептесу нәтижесінде электр қорегінің кернеуінің 240 В мәнінде кабельдің максималды ұзындығының келесі мәндері алынды:

Кабельдің максималды ұзындығы [м]							
Қозғалтқыш (P2)	I_N	Кабель өлшемі					
		1,5 мм ²	2,1 мм ² / 14 AWG	2,5 мм ²	3,3 мм ² / 12 AWG	4 мм ²	6 мм ²
[кВт]	[A]						
0,7	5,2	80	112	133	176	213	320
1,15	8,4	50	69	83	109	132	198
1,68	11,2	37	52	62	82	99	149
1,85	12	35	49	58	76	92	139

6.7 Батырылатын кабельдің көлденең қимасын орнату

Grundfos фирмасының КМ типті кабельдік қосылымы көмегімен батырылатын кабель және электр қозғалтқыш кабелін жалғау ұсынылады.

КМ типті кабельдік қосылым	
Кабель сымдарының көлденең қимасы	Өнім нөмірі
1,5-тен 6,0 дейін мм ²	96021473

Кабель сымдарының көлденең қимасы үшін Grundfos фирмасына хабарласыңыз.

6.8 Құбырға жалғау

Егер тік бағанға жалғаған кезде орнату құралдарын қолдану қажет болса, сорғы тек сорғыны толтыру корпусымен бекітілуі немесе қысылуы мүмкін.

Егер сорғы полимер материалдан жасалған құбырға жалғанатын болса, қысқыш муфтаны қолдану қажет.

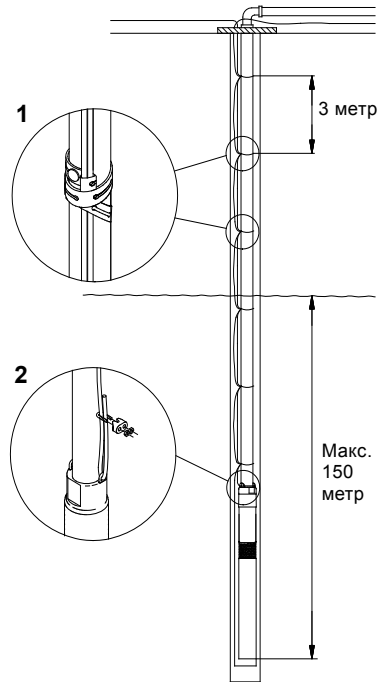


Полимер құбырлармен жалғанатын сорғылар үшін сорғының орнату тереңдігін анықтау кезінде жүктеме әсері нәтижесінде полимер құбырын тізбектік ұзартудың пайда болуын ескеру қажет.

Егер фланецтік бекіткішті құбырлар қолданылатын болса, фланецтерде батыратын кабель мен бар болған жағдайда су деңгейін көрсететін түтікті орналастыру үшін саңылаулар жасау керек.

11-суретте келесі деректермен сорғыны орнату көрсетілген:

- қамыттарының орналасуы, позиция 1, және олардың арасындағы аралықтары бойынша.
- болат арқанды орнату, 2-позиция.
- су деңгейіне қатысты максималды батыру тереңдігі.



11. сур.

6.8.1 Кабельдің бекітілуі

Кабельді қысуға арналған қамыттар әрбір 3 метр сайын орнатылуы керек. 11-суретті қараңыз.

Егер полимер құбырлар қолданылатын болса, кабельді бекіту кезінде кабель мен қамыттар арасында саңылау қалдыру керек, себебі жүктеме әсерінен полимер құбырлардың тізбектік деформациясы орын алады.

Егер фланецті құбырлар қолданылатын болса, кабельді бекітуге арналған қамыттар мұндай қосылымның үсті мен астында орналастырылуы тиіс.

6.8.2 Орнату тереңдігі

Су деңгейіне қатысты **максималды** батыру тереңдігі: 150 метр. 11-суретті қараңыз.

Динамикалық деңгейге қатысты **минималды** батыру тереңдігі:

- **Тік орнату:**
Пайдлануға енгізу және жұмыс істеуі барысында сорғы толығымен суға батырылуы керек.
- **Көлденең орнату:**
Сорғы динамикалық су деңгейінен 0,5 метр төмен деңгейде орналастырылуы және жұмыс істеуі керек.
Егер ластану қаупі болса, сорғы қорғаныш қаптамаға орналастырылуы керек.

6.8.3 Сорғыны құдыққа түсіру

Сорғыны болат арқанмен бекітіп сақтандыру ұсынылады. 11-суретті қараңыз, 2-поз.

Болат арқан жүктеме түспейтіндей етіп босатылуы тиіс, сонымен қатар, ол құдықтың жоғары бөлігінде қысқыштармен бекітілуі тиіс.



Сорғыны құдықтан шығарып алу үшін электр қорегі сымын қолдануға болмайды.



Сорғыны еш уақытта электр қозғалтқышының кабелімен түсіруге немесе көтеруге болмайды.

7. Іске қосу

Құдықтың дебитіне сорғының сәйкес келетініне көз жеткізіңіз.

Сорғы толығымен суға салынған жағдайда ғана қосыла алады.

Сорғыны қосып, мөлдір таза су шыққанда ғана өшіріңіз, керісінше жағдайда сорғыны мерзімінен бұрын өшіру оның бөліктерінің немесе кері клапанның бітелуіне әкелуі мүмкін.

8. Пайдалану

8.1 Минималды шығын мәні

Электр қозғалтқышты жеткілікті түрде суыту үшін сорғы шығыны 50 л/сағ көрсеткішінен төмендемеуі керек.

Белгілі бір жағдайларда сорғының берілуі кенеттен төмендеуі ықтимал, мұның себебі сорғының өнімділігі құдық дебитінен асуында болуы мүмкін. Сорғыны тоқтату және ақау себебін жою керек.



Сорғыны құрғақ жұмыс істеуден қорғау тек ұсынылатын пайдалану саласында ғана жұмыс істейді.

8.2 Диафрагмалық қысым гидробагін таңдау, тірек және қысым релесінің қысымын реттеу

НАЗАР АУДАРЫҢЫЗ

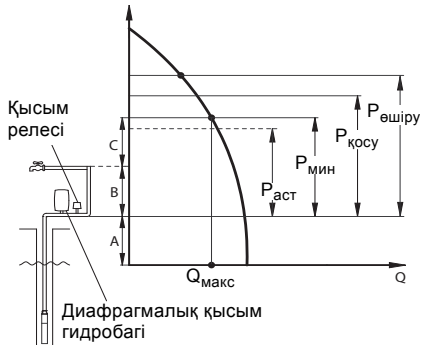


Герметикалық жүйе

Өлім қаупі немесе ауыр дене жарақаты - Жүйе сорғының максималды қысымына есептелуі керек.

Сорғыда баяу іске қосу жүйесі болғандықтан және қарқындау уақыты 2 секундты құрағандықтан, қысым релесі кірісі мен диафрагмалық бактегі қысым реленің іске қосылуының белгіленген мәнінен төмен ($P_{қосу}$). Бұл ең аз қысым минималды қысым ($P_{мин}$) деп аталады.

$P_{мин}$ мәні су жіберудің ең жоғарғы мәніндегі минималды қажетті қысым + реле немесе гидробактың және суды ағызудың ең жоғарғы нүктесінің арасындағы құбырлардағы қысым және шығындар ($P_{мин} = B + C$). 12-суретті қараңыз.



TM00 6445 3795

12. сур.

- A: Биіктік + диафрагманың багіндегі судың динамикалық деңгейден күштің жоғалтуы.
- B: Биіктік + биік сигналына диафрагманың резервуарынан қысым шығыны.
- C: Ең биік сигналдағы минимум қысым.



Таңдап алынған сорғы $P_{өшіру} + A$ көрсеткішінен жоғары қысым қабылдай алатынына көз жеткізіңіз.

$P_{аст}$: Алдын ала зарядтау қысымының диафрагмалық гидробагі.

$P_{мин}$: Ұсынылған минималды қысым.

$P_{қосу}$: Қосу қысымы қысым датчигінде орнатылған.

$P_{өшіру}$: Өшіру қысымы қысым датчигінде орнатылған.

$Q_{макс}$: $P_{мин}$ көрсеткішіндегі максималды шығын.

8.3 Ұңғыма жүйесінің қысымы артық жүктелген

Артық қысымға қарсы қорғаныс беру мақсатында қысымнан босату клапанын ұңғыма сағасының астына орнатыңыз. Қысымнан босату клапанының орнату нүктесі қысым параметрінен кемінде 30 psi жоғары болуы керек.

Егер босату клапаны орнатылса, оны тиісті дренаж нүктесіне қосу ұсынылады.

$P_{\text{мин}}$ және $Q_{\text{макс}}$, **минималды** диафрагмалық қысым өлшемін қолдану арқылы, алдын ала зарядттау және қысым датчигі нұсқаулықтарын келесі кестеден көруге болады.

Мысал

$P_{\text{мин}} = 35$ м биіктік, $Q_{\text{макс}} = 2,5 \text{ м}^3/\text{сағ}$.

Осы ақпарат негізінде келесі мағыналарды кестеден көруге болады:

Минималды диафрагмалық қысым өлшемі = 33 литр.

$P_{\text{аст}} = 31,5$ м биіктік.

$P_{\text{қосу}} = 36$ м биіктік.

$P_{\text{өшіру}} = 50$ м биіктік.

$P_{\text{мин}}$ [М]	$Q_{\text{макс}}$ [м ³ /сағ]																$P_{\text{аст}}$ [М]	$P_{\text{қосу}}$ [М]	$P_{\text{өшіру}}$ [М]		
	0,6	0,8	1	1,2	1,5	2	2,5	3	3,5	4	4,5	5	5,5	6	6,5	7				7,5	8
Диафрагмалық қысым гидробағиң сыйымдылығы [Л]																					
25	8	8	18	18	18	18	24	33	33	50	50	50	50	80	80	80	80	80	22,5	26	40
30	8	8	18	18	18	24	33	33	50	50	50	50	80	80	80	80	80		27	31	45
35	8	18	18	18	18	24	33	33	50	50	50	80	80	80	80	80			31,5	36	50
40	8	18	18	18	18	24	33	50	50	50	80	80	80	80	80				36	41	55
45	8	18	18	18	24	33	33	50	50	50	80	80	80	80					40,5	46	60
50	8	18	18	18	24	33	50	50	50	80	80	80	80						45	51	65
55	18	18	18	18	24	33	50	50	50	80	80	80							49,5	56	70
60	18	18	18	18	24	33	50	50	80	80	80	80							54	61	75
65	18	18	18	24	24	33	50	50	80	80	80	80							58,5	66	80

1 метр биіктік = 0,098 bar.

8.4 Кірістірілген қорғау жүйесі

Электр қозғалтқыш түрлі жағдайларда қорғайтын кірістірілген қорғаныс электронды блогына ие.

Шамадан тыс жүктеме түскен жағдайда ендірілген қорғаныс 5 минутқа тоқтауы мүмкін. Бұл уақыт мерзімі біткеннен кейін басқару жүйесі сорғыны қайта іске қосу әрекетін жасайды.

Егер сорғы құрғақ жұмыс істеуге байланысты өшірілген болса, қайта қосу 5 минуттан кейін автоматты түрде жүзеге асырылады.

Егер сорғы жұмысын жаңартып, ал құдық бос болатын болса, сорғы 30 секундтан кейін тоқтайды.

Сорғыны басқару жүйесін бастапқы қалпына келтіру: электр қорегін 1 минутқа тоқтатыңыз.

Сорғыны қорғау келесі ақаулар орын алған кезде жүзеге асырылады:

- Құрғақ жұмыс істеу
- шамадан тыс жоғары кернеу (6000 В) әсері
- Жоғары қарқынды күн сәулесі түсетін аудандарда күн сәулелерінен қорғайтын сыртқы қорғаныс қажет.
- кернеудің шамадан тыс ұлғаюуы
- кернеудің төмендеуі
- шамадан тыс жүктеме
- шамадан тыс қызып кету.

MSE 3 функциялы SQE сорғылары



CU 300 немесе CU 301 басқару шкафының көмегімен құрғақ жұмыс істеу бойынша MSE 3 тоқтату шегі әр түрлі болуы мүмкін.

9. Күтім жасау және техникалық қызмет көрсету

Сорғылар әдетте техникалық қызмет көрсетуді қажет етпейді.

Қалдықтардың жиналуы мен тораптар мен бөлшектердің тозуы ықтимал. Бұл жағдайда Grundfos фирмасы техникалық қызмет көрсету жиынтықтары мен сәйкес құралдарды жеткізе алады. Grundfos компаниясының орнату және пайдалану нұсқаулықтары жеке сұраныс бойынша жеткізіледі.

Сорғыларға техникалық қызмет көрсету Grundfos фирмасының сервистік бюросы арқылы жүзеге асырылады.

9.1 Ластанған сорғы



Егер сорғы улы немесе уландырғыш сұйықтықтарды айдау үшін қолданылған болса, мұндай сорғы ластанған болып саналады.

Егер жөндеу жүргізуге қажеттілік туындаса, сорғыны Grundfos сервис орталығына жібергенге *дейін* жұмыс сұйықтығы және т.б. туралы ақпаратты міндетті түрде оған беру керек. Егер Grundfos фирмасына сорғыға техникалық қызмет көрсету туралы сұрау жіберілетін болса, сорғыны Grundfos фирмасына жіберу алдында оған хабарласып, сорғының айдайтын сұйықтығы туралы техникалық егжей-тегжейлі деректерді т.б. беру керек. Керісінше жағдайда Grundfos фирмасы сорғыны қабылдаудан бас тартуы мүмкін.

Егер сорғы улы немесе өмірге қауіпті сұйықтықтарды айдау үшін пайдаланылған болса, техникалық қызмет көрсету (кім тарапынан орындалса да) жөніндегі кез келген сұрауда айдалатын сұйықтық туралы толық ақпарат болуы тиіс.

SQE-NE: Grundfos фирмасына техникалық қызмет көрсету үшін тек ластанбаған деп санатталатыны туралы нұсқауға ие, яғни адам денсаулығына қауіпті және/немесе улы материалдарға қолданылмаған сорғылар ғана жіберіле алады.

Қызмет көрсетуші қызметкерлер денсаулығына зиян келуі мен қоршаған ортаны ластануына жол бермеу үшін сорғының таза деп сыныпталуы туралы сертификаты болуы керек.

Бұл куәлік фирмаға сорғы жеткізілгенге дейін ұсынылуға тиісті. Керісінше жағдайда Grundfos фирмасы сорғыны техникалық қызмет көрсетуге қабылдаудан бас тарта алады.

Сорғыны фирмаға қайтаруға қатысты шығындар тапсырыс берушіге артылады.

10. Ақаулықтарды табу

САҚТАН

Электр тогымен зақымдану

Жеңіл немесе орташа дене жарақаты



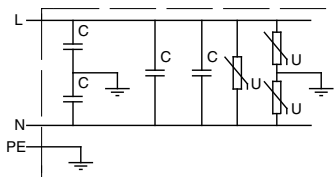
- Кез келген жұмыстарды өткізу алдында электр қорегінің өшірілгені мен оның кездейсоқ қосылуына жол бермейтін барлық шаралардың қабылданғанына көз жеткізіңіз.

Ақаулық	Себеп	Жою
1. Сорғы істемейді.	a) Сақтандырғыштар күйіп кеткен.	Сақтандырғышты ауыстырыңыз. Егер жаңалары да күйіп кететін болса, электр желісі мен су өткізбейтін кабельді тексеру қажет.
	b) Апаттық ток пен апаттық кернеудің қорғаныс релесі іске қосылған.	Қорғаныс релесін қайта қосыңыз.
	c) Электр қорегі жоқ.	Сәйкес энергия жеткізуші компанияға хабарласыңыз.
	d) Шамадан тыс жүктеме әсерінен электр қозғалтқыштың қорғаныс автоматының максималды тогын ажыратқышы іске қосылған.	Электр қозғалтқышты/сорғыны жөндеу немесе ауыстыру керек.
	e) Сорғы немесе су өткізбейтін кабельдің зақымдануы.	Сорғы/кабельді жөндеу/ауыстыру керек.
	f) Кернеудің жоғары немесе төмен берілуі.	Электр қорегі желісін тексеріңіз.
2. Сорғы жұмыс істейді, бірақ су айдалмайды.	a) Қысым магистралінде тиектеу вентили жабылған.	Вентильді ашыңыз.
	b) Құдықта су жоқ немесе судың деңгейі тым төмен.	3 а) тармақшасын қараңыз.
	c) Кері клапанның жабық күйінде жабысуы.	Сорғыны бетіне шығарыңыз және клапанды шайыңыз немесе ауыстырыңыз.
	d) Кіріс торлы сүзгі бітелген.	Сорғыны бетіне шығарып, торлы сүзгіні шайыңыз немесе оны ауыстырыңыз.
	e) Сорғының зақымдалған.	Сорғыны жөндеңіз немесе ауыстырыңыз.
3. Сорғы төмен өнімділікпен жұмыс істейді.	a) Су деңгейі күткендегідей көп төмендеген.	Сорғыны батыру тереңдігін арттырып, қысымын азайтыңыз немесе өнімділігі төменірек, басқа кішірек тип өлшемді сорғымен ауыстырыңыз.
	b) Қысым құбырының клапандары/вентильдері жартылай жабық/бітелген.	Клапандарды/вентильдерді жөндеңіз және шайыңыз немесе қажет болса, жаңасымен ауыстырыңыз.
	c) Қысым құбыры ласпен (жоса) ластанған.	Қысым құбырын тазартыңыз/ауыстырыңыз.
	d) Сорғының кері клапаны жартылай бітелген.	Сорғыны бетіне шығарыңыз және клапанды тексеріңіз/ ауыстырыңыз.
	e) Тік құбыр және сорғы жартылай ласпен (жосамен) бітелген.	Сорғыны бетіне шығарыңыз. Сорғыны бөлшектеңіз және шайыңыз, қажет болса, сорғыны ауыстырыңыз. Құбырды шаю керек.
	f) Сорғының зақымдалған.	Сорғыны жөндеңіз немесе ауыстырыңыз.
	g) Құбырлардың тығыздалған жерлерінің ашылуы.	Құбырды тексеріп және жөндеңіз.
	h) Тік құбыр зақымданған.	Тік құбырды ауыстырыңыз.
	i) Кернеу төмендеген.	Электр қорегі желісін тексеріңіз.

Ақаулық	Себеп	Жою
4. Жиі қосу және өшіру.	a) Қысым релесіндегі қосу және өшіру қысымдарының арасындағы айырмашылық тым аз.	Мәндердің айырмашылықтарын арттырыңыз. Алайда, өшіру қысымы қысым резервуарындағы жұмыс қысымының көлемінен аспауы тиіс, ал қосу қысымы су тиісті қысыммен берілуімен қамтамасыз ететіндей дәрежеде жоғары болуы тиіс.
	b) Су деңгейін бақылау электродтары мен резервуардағы деңгей дұрыс белгіленбеген.	Жеткілікті түрде уақыт аралығымен сорғыны қосып және өшіре отырып, электродтар/ деңгейді бақылау релесі қалпын реттеңіз. Қолданылатын автоматты құрылғыларды орнату және пайдалану бойынша нұсқауларды қараңыз. Егер автоматика аспаптарының көмегімен қосу/өшіру арасындағы интервалдарды өзгерту мүмкін болмаса, қысым клапанының өткізу қимасын азайту арқылы сорғының жұмыс өнімділігін төмендетуге болады.
	c) Кері клапанның жартылай ашық қалпында болатын ағып кету немесе блокталу.	Сорғыны бетіне шығарыңыз және кері клапанды шайыңыз немесе ауыстырыңыз.
	d) Ток кернеуі тұрақсыз.	Электр қорегі желісін тексеріңіз.
	e) Электр қозғалтқыш қызып кеткен.	Су температурасын тексеріңіз.

10.1 Изоляция кедергісінің өлшемдері

Изоляция кедергісінің өлшемдеріне SQ/SQE сорғыларын қосуға рұқсат етілмейді, себебі кірістіріліп орналастырған электрониканың зақымдалуы мүмкін. 13-суретті қараңыз.



TM02_0689_5000

13. сур.

11. Электр қорегін тексеру

НАЗАР АУДАРЫҢЫЗ

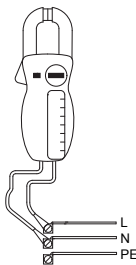
Электр тогымен зақымдану

Өлім қаупі немесе ауыр дене жарақаты



- Кез келген жұмыстарды өткізу алдында электр қорегінің өшірілгені мен оның кездейсоқ қосылуына жол бермейтін барлық шаралардың қабылданғанына көз жеткізіңіз.

1. Қуат кернеуі

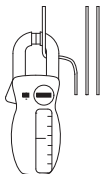


TM00 1371 4904

Фаза мен нейтрал арасындағы кернеуді (әрекеттегі мәнді бақылау аспабымен) өлшеңіз. Вольтметрді электр қозғалтқышын қосу орнындағы қысқышқа қосыңыз.

Электр қозғалтқыш жүктемесімен жұмыс істейтін кернеу **5. Электр жабдығын жалғау** бөлімінде берілген диапазон шеңберінен шықпауы керек. Кернеудің қатты ауытқулары электрмен қамтамасыз етудің нашарлығын көрсетеді, және де мұндай жағдайда ақау түзетілгенге дейін сорғыны өшіру қажет.

2. Тұтынылатын ток



TM00 1372 5082

Сорғы тұрақты қысыммен жұмыс істеген жағдайда (мүмкін болса, сорғы жұмысына жиі қолданылатын қуаттылық мәнімен) ток күшін өлшеңіз (әрекеттегі мәнді бақылау аспабымен).

Максималды жұмыс тогының мәнін техникалық сипаттамалар берілген фирмалық тақтайшадан қараңыз.

Егер ток толық жүктеме кезіндегі ток мәнінен асатын болса, ақаулардың келесі себептері болуы мүмкін:

- Сымдар немесе кабельдік муфтадағы нашар контакт.
- Желілік кернеу тым төмен, пункт 1-ді қараңыз.

12. Экология талаптары

Жабдықты пайдалану, сақтау және тасымалдау барысында адамдарға және қоршаған ортаға қауіпті материалдарға қатысты барлық экологиялық талаптар қадағалануы тиіс.

НАЗАР АУДАРЫҢЫЗ

Коррозиялық заттек

Өлім қаупі немесе ауыр дене жарақаты



- Егер сорғы пайдаданудан шығарылса, сорғыда/электр қозғалтқышында және тік құбырда адамға және қоршаған ортаға қауіпті материалдар қалдырмау керек.

Күдікті жағдайларда Grundfos компаниясының жергілікті өкіліне хабарласу сұралады.

13. Жою

Бұл бұйым, сондай-ақ, тораптар мен бөлшектер экология талаптарына сәйкес жойылуы тиіс:

1. Қоғамдық немесе жеке қоқыс жинау қызметтерін пайдаланыңыз.
2. Егер мұндай ұйымдар немесе фирмалар болмаса, жақын орналасқан филиалмен немесе Grundfos сервис орталығымен хабарласыңыз.

Дұрыстауға жарамды.

11. فحص مصدر الإمداد بالطاقة

تحذير

صدمة كهربائية

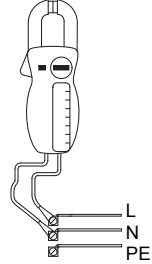
الوفاة أو إصابة شخصية خطيرة
- قبل البدء في أي عمل بالمضخة/المحرك،
تأكد من فصل الإمداد بالطاقة ومن أنه لا يمكن
توصيله دون قصد.



1. جهد الإمداد

TM000 1371 4904

فحص مصدر الإمداد بالطاقة (عن طريق حساب الجذر التربيعي الحقيقي لمعدل مجموع القيم) بين كابلات الطور والمتعادل. قم بتوصيل الفولتميتر بين الأطراف عند الوصلة.

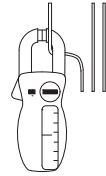


ينبغي أن يكون الجهد الكهربائي، عند تحميل المحرك، في النطاق المحدد في القسم 5. التوصيل الكهربائي. تدل الاختلافات الكبيرة في الجهد الكهربائي للإمداد على ضعف الإمداد بالطاقة، ويجب إيقاف المضخة لحين إصلاح العطل.

2. استهلاك التيار الكهربائي

TM000 1372 5082

قم بقياس التيار (عن طريق حساب الجذر التربيعي الحقيقي لمعدل مجموع القيم) أثناء تشغيل المضخة عند ارتفاع توصيل تبريد ثابت (إذا أمكن، عند السعة التي يكون فيها المحرك في أقصى تحميل له). انظر لوحة البيانات.



إذا تجاوز التيار قيمة الحد الأقصى للتيار، فمن المحتمل حدوث الأعطال التالية:

- توصيل ضعيف في الأسلاك، يحتمل في وصلة الكابل.
- جهد كهربائي للإمداد منخفض جدًا. انظر العنصر رقم 1.

12. البيئة

أثناء التداول والتشغيل والتخزين والنقل، يجب اتباع جميع اللوائح البيئية المختصة بتداول المواد الخطيرة.

تحذير

مادة آتلة

الوفاة أو إصابة شخصية خطيرة
- عند إخراج المضخة من الخدمة، يجب التأكد من عدم ترك أي مواد خطيرة في المضخة/المحرك وأنبوب الرفع، الأمر الذي قد يسبب الضرر للأشخاص وللبيئة.



في حالة وجود أسئلة، يُرجى التواصل مع جروندفوس والسلطات المحلية.

13. التخلص من المنتج

يجب التخلص من هذا المنتج أو أجزاء منه بطريقة صحيحة بيئيًا:

1. استخدم خدمة جمع النفايات العامة أو الخاصة.
2. إذا لم يكن هذا ممكنًا، اتصل بأقرب شركة جروندفوس أو ورشة خدمة.

عرضة للتغيرات.

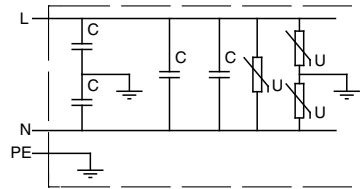
العطل	السبب	الإصلاح
4. عمليات تشغيل وتوقف متكررة.	(a) تفاوت مفتاح التشغيل الذي يتم ضبطه بحسب الضغط بين ضغطي بدء التشغيل والإيقاف صغير جداً.	قم بزيادة التفافات. لكن، يجب ألا يتجاوز ضغط الإيقاف ضغط تشغيل خزان الضغط، ويجب أن يكون ضغط بدء التشغيل مرتفعاً على نحو كافٍ لضمان إمداد كافٍ بالماء.
	(b) إلكترونات منسوب الماء أو مفاتيح المستوى في الخزان لم تتركب بطريقة صحيحة.	اضبط الفواصل الزمنية للإلكترونيات/مفاتيح المستوى لضمان زمن مناسب بين توصيل وفصل المضخة. انظر تعليمات التركيب والتشغيل الخاصة بالأجهزة الأوتوماتيكية المستخدمة. إذا لم يكن من الممكن تغيير الفواصل الزمنية بين الإيقاف/بدء التشغيل عن طريق الأجهزة الأوتوماتيكية، يمكن تقليل أداء المضخة عن طريق خنق صمام التفريغ.
	(c) صمام منع الارتداد يسرب أو عالق على وضع نصف الفتحة.	اسحب المضخة وقم بتنظيف/استبدال صمام منع الارتداد.
	(d) الجهد الكهربائي للإمداد غير مستقر.	افحص مصدر الإمداد بالطاقة.
	(e) ترتفع درجة حرارة المحرك للغاية.	افحص درجة حرارة الماء.

10.1 قياس مقاومة العزل الكهربائي

غير مسموح بقياس عزل المقاومة الكهربائية للتركيبات التي تحتوي على مضخات SQ، SQE، حيث إن الإلكترونيات المدمجة قد تتلف. انظر الشكل 13.



TM02 0689 5000



شكل 13

10. جدول تحديد الأعطال

تنبيه

صدمة كهربائية

إصابة شخصية بسيطة أو متوسطة
- قبل البدء في أي عمل بالمضخة/المحرك،
تأكد من فصل إمداد الطاقة ومن أنه لا يمكن
توصيله دون قصد.



العطل	السبب	الإصلاح
1. المضخة لا تعمل.	(a) المصيريات في التركيب الكهربائي اخترقت.	استبدل المصيريات المحترقة. إذا احترقت المصيريات الجديدة أيضًا، يجب فحص التركيب الكهربائي والكابيل الغاطس.
	(b) فصل قاطع دائرة التسرب الأرضي (ELCB) أو قاطع دائرة التسرب الأرضي الذي يعمل بواسطة الجهد الكهربائي.	انفصال في قاطع الدائرة الكهربائية.
	(c) لا يوجد إمداد بالطاقة.	تواصل مع مسؤولي الإمداد بالطاقة.
	(d) فصلت وحدة حماية المحرك الإمداد بالطاقة بسبب الحمل الزائد.	تحقق مما إذا كان المحرك/المضخة مسدودًا.
	(e) ثمة خلل في المضخة/الكابل الغاطس.	قم بإصلاح/استبدال المضخة/الكابل.
	(f) حدث انخفاض أو زيادة في الجهد الكهربائي.	افحص مصدر الإمداد بالطاقة.
2. المضخة تعمل لكنها لا تعطي أي ماء.	(a) صمام التفريغ مقلقل.	افتح الصمام.
	(b) لا يوجد ماء أو منسوب الماء منخفض جدًا في الحفرة الأرضية.	انظر البند (a3).
	(c) صمام منع الارتداد عالق في وضع غلقه.	اسحب المضخة ونظف أو استبدل الصمام.
	(d) مرشح السحب مسدود.	اسحب المضخة ونظف المرشح.
	(e) المضخة تالفة.	أصلح/استبدل المضخة.
3. المضخة تعمل بسرعة منخفضة.	(a) السحب أكبر من المتوقع.	قم بزيادة عمق التركيب الخاص بالمضخة أو قم باستخدام أداة خانقة للمضخة أو استبدالها بنموذج أصغر للحصول على سرعة أصغر.
	(b) الصمامات الموجودة في أنبوب التفريغ مقلقلة/مسدودة جزئيًا.	افحص ونظف/استبدل الصمامات، إذا لزم الأمر.
	(c) أنبوب التفريغ مسدود جزئيًا بالثسوانب (أكسيد الرصاص).	نظف/استبدل أنبوب التفريغ.
	(d) صمام منع الارتداد للمضخة مسدود جزئيًا.	اسحب المضخة وافحص/ استبدل الصمام.
	(e) المضخة وأنبوب الرفع مسدودان جزئيًا بالثسوانب (أكسيد الرصاص).	اسحب المضخة. افحص ونظف أو استبدل المضخة، إذا لزم الأمر. نظف الأنابيب.
	(f) المضخة تالفة.	أصلح/استبدل المضخة.
	(g) تسرب في الأنابيب.	افحص وأصلح الأنابيب.
	(h) أنبوب الرفع تالف.	استبدل أنبوب الرفع.
	(i) حدث انخفاض للجهد الكهربائي.	افحص مصدر الإمداد بالطاقة.

8.4 الحماية المدمجة

يحتوي المحرك على وحدة إلكترونية تقوم بحماية المحرك في الحالات المختلفة.

في حالة فرط التحميل، ستقوم وحدة الحماية من فرط التحميل بإيقاف تشغيل المضخة لمدة 5 دقائق. بعد مرور هذه الفترة، ستحاول المضخة إعادة التشغيل.

إذا كان قد تم إيقاف تشغيل المضخة نتيجة التشغيل الجاف، فسيبدأ التشغيل أوتوماتيكياً بعد 5 دقائق.

إذا تمت إعادة تشغيل المضخة وكانت الحفرة الأرضية فارغة، فستتوقف المضخة بعد 30 ثانية.

إعادة ضبط المضخة: أفضل مصدر الإمداد بالطاقة لمدة دقيقة واحدة.

تتم حماية المحرك في حالات:

- التشغيل الجاف
- دقائق الجهد الكهربائي (بما يصل إلى 6000 فولت) في المناطق ذات مستويات شدة الصواعق المرتفعة، نوصي باستخدام وسائل حماية خارجية ضد الصواعق.
- زيادة مستوى الجهد الكهربائي
- انخفاض مستوى الجهد الكهربائي
- فرط التحميل
- زيادة درجة الحرارة.

مضخات SQE/محركات MSE 3

من خلال CU 300 أو CU 301، يمكن تعديل الحدود الخاصة بإيقاف التشغيل الجاف لمحركات MSE 3 لكي تتوافق مع التطبيقات الفعلية.



9. الصيانة والخدمة

لا تحتاج المضخات عادة إلى صيانة.

قد تحدث بعض الترسبات والسكري، ولهذا الغرض، توفر جروندفوس مجموعات الخدمة وأدوات الخدمة. دليل خدمة جروندفوس متوفر عند الطلب.

ويمكن إجراء الخدمة للمضخات في مركز خدمة جروندفوس.

9.1 المضخات الملوثة



إذا استخدمت مضخة لسائل ضار بالصحة أو سام، فإن المضخة ستصنف على أنها ملوثة.

إذا كانت جروندفوس مطالبة بإجراء خدمة المضخة، يجب الاتصال بجروندفوس وإبلاغها بالتفاصيل عن السائل الذي تم ضخه، الخ قبل إعادة المضخة لإجراء الخدمة. وخلافاً لذلك، فقد ترفض جروندفوس قبول المضخة للخدمة.

على الرغم من ذلك، فإن أي طلب للخدمة (بصرف النظر عن قد تقدم له) يجب أن يشمل على التفاصيل عن السائل الذي تم ضخه إذا كانت المضخة قد استخدمت لسوائل ضارة بالصحة أو سامة.

SQE-NE: يُسمح فقط بإعادة المضخات التي يُعتمد كونها غير ملوثة، أي التي لا تحتوي على مواد خطيرة و/أو سامة، إلى جروندفوس لإجراء الخدمة.

لمنع تضرر صحة الأشخاص الذين يعملون في البيئة المحيطة، يُطلب الحصول على وثيقة تثبت أن المضخة نظيفة.

يجب أن تتلقى جروندفوس هذه الوثيقة قبل المنتج. وبخلاف ذلك، سترفض جروندفوس قبول المنتج لإجراء الخدمة.

وسيتحمل العميل سداد التكاليف المحتملة لإعادة المضخة.

8.3 فرض تحميل النظام عند البنر

لتوفير الحماية من فرط الضغط، قم بتركيب صمام لتقليل الضغط في اتجاه التدفق عند سطح البنر. يجب ضبط صمام لتقليل الضغط على قيمة لا تقل عن 30 رطلاً لكل بوصة مربعة فوق مستوى إعداد الضغط. إذا قمت بتركيب صمام لتقليل الضغط، فإننا نوصي بأن تقوم بتوصيله بنقطة تفريغ ملائمة. باستخدام قيم Pmin و Qmax، يمكن العثور على الحد الأدنى من حجم خزان الغشاء والضغط السابق للتحميل وإعدادات مفتاح التشغيل الذي يتم ضبطه بحسب الضغط في جدول التوجيهات أدناه:

مثال

$$P_{min} = 35 \text{ مترًا ارتفاع عمود ضغط،}$$

$$Q_{max} = 2,5 \text{ م}^3/\text{ساعة.}$$

بناء على هذه المعلومات، يمكن العثور على القيم التالية في الجدول:

الحد الأدنى من حجم خزان الغشاء = 33 لترًا.

$$P_{pre} = 31,5 \text{ متر ارتفاع عمود ضغط}$$

$$P_{cut-in} = 36 \text{ مترًا ارتفاع عمود ضغط}$$

$$P_{cut-out} = 50 \text{ مترًا ارتفاع عمود ضغط}$$

Pcut-out [م]	Pcut-in [م]	Ppre [م]	Qmax [م ³ /ساعة]																Pmin [م]			
			8	7,5	7	6,5	6	5,5	5	4,5	4	3,5	3	2,5	2	1,5	1,2	1		0,8	0,6	
حجم خزان الغشاء [لترات]																						
40	26	22,5	80	80	80	80	80	80	50	50	50	50	33	33	24	18	18	18	18	8	8	25
45	31	27		80	80	80	80	80	50	50	50	50	33	33	24	18	18	18	18	8	8	30
50	36	31,5			80	80	80	80	80	50	50	50	33	33	24	18	18	18	18	8	8	35
55	41	36				80	80	80	80	80	50	50	33	24	18	18	18	18	18	8	8	40
60	46	40,5					80	80	80	80	50	50	33	33	24	18	18	18	18	8	8	45
65	51	45						80	80	80	80	50	50	33	24	18	18	18	18	8	8	50
70	56	49,5							80	80	80	50	50	33	24	18	18	18	18	18	18	55
75	61	54								80	80	80	80	50	33	24	18	18	18	18	18	60
80	66	58,5									80	80	80	80	50	33	24	24	18	18	18	65

1 متر ارتفاع عمود ضغط = 0,098 بار.

6.8.2 أعماق التركيب

الحد الأقصى من عمق التركيب تحت مستوى المياه الاستاتيكي: 150 مترًا. انظر الشكل 11.

الحد الأدنى من أعماق التركيب تحت مستوى المياه الديناميكي:

- التركيب الرأسي: عند التشغيل الأروسي، يجب أن تكون المضخة دائماً مغمورة بالكامل تحت الماء.
- التركيب الأفقي: يجب أن تكون المضخة مركبة وأن يتم تشغيلها عند عمق لا يقل عن 0,5 متر تحت مستوى المياه الاستاتيكي. إذا كان ثمة خطر من احتمال تغطية المضخة بالطين، يجب أن تثبت المضخة داخل جلبية تدفق.

6.8.3 عند إنزال المضخة في الحفرة الأرضية

يوصى بتأمين المضخة بواسطة سلك شد غير محمل. انظر الشكل 11، الوضع 2.

أرخ سلك الشد بحيث يصبح غير محمل وثبته بمانع تسرب الحفرة الأرضية بواسطة أقفال سلك.

يجب ألا يُستخدم سلك الشد في سحب المضخة مع أنبوب الرفع خارج الحفرة الأرضية.



لا تنزل أو ترفع المضخة بواسطة كابيل المحرك.

**7. التشغيل الأولي**

تأكد من قابلية البئر لتوفير الحد الأدنى من كمية المياه المناسبة لسعة المضخة.

لا تبدأ في التشغيل الأولي حتى تكون المضخة مغمورة تمامًا في السائل.

ابدأ في تشغيل المضخة ولا توقفها حتى يصبح السائل التي يتم ضخه نظيفًا بالكامل حيث إنّه إذا لم يصبح الأمر كذلك، فقد يختنق جريان المضخة وصمام منع الارتداد.

8. التشغيل**8.1 الحد الأدنى لمعدل التدفق**

لضمان التبريد اللازم للمحرك، يجب ألا يتم ضبط معدل تدفق المضخة أبدًا على قيمة أقل من 50 لتر/ساعة.

إذا انخفض معدل التدفق فجأة، فقد يكون السبب في ذلك هو أن المضخة تضخ كمية من المياه أكبر من تلك التي توفرها الحفرة الأرضية. يجب أن يتم إيقاف تشغيل المضخة وإصلاح الحقل.

تكون حماية المضخة عن طريق التشغيل الجاف فعالة فقط في نطاق الحمل المسموح به للمضخة فقط.

**8.2 اختيار خزان الغشاء وضبط الضغط السابق**

للتحميل وعداد التشغيل الذي يتم ضبطه بالضغط

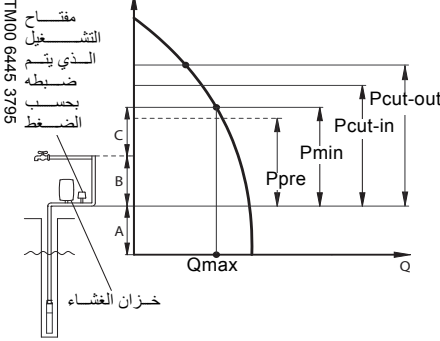
تحذير**نظام مضغوط الهواء**

الوفاة أو إصابة شخصية خطيرة - يجب تصميم التركيب بناءً على الحد الأقصى لضغط المضخة.



بما أنّ المضخة مزودة بأداة بادئة مدمجة سلسلة توفر وقتًا لبداية التشغيل مدته ثانيتان، فسيكون الضغط عند كسل من عداد التشغيل الذي يتم ضبطه بحسب الضغط وخزان الغشاء خلال بدء التشغيل أقل من قيمة ضغط التشغيل المحددة عند مفتاح التشغيل الذي يتم ضبطه بحسب الضغط. تسمى قيمة الضغط المنخفضة هذه بالحد الأدنى من الضغط (Pmin).

تساوي قيمة Pmin الحد الأدنى من الضغط المرغوب فيه عند أعلى مستوى + ارتفاع عمود الضغط والفاقد في ارتفاع عمود الضغط في الأنبوية الواصلة بين مفتاح التشغيل الذي يتم ضبطه بحسب الضغط وخزان الغشاء وبين أعلى مستوى (Pmin = B + C). انظر الشكل 12.

**شكل 12**

- A: ارتفاع عمود الضغط + الفاقد في ارتفاع عمود الضغط من مستوى المياه الديناميكي إلى خزان الغشاء.
- B: ارتفاع التوصيل + الفاقد في ارتفاع التوصيل من خزان الغشاء إلى أعلى مستوى.
- C: الحد الأدنى من الضغط عند أعلى مستوى.

تأكد من قدرة المضخة المختارة على توصيل ضغط أعلى من $P_{cut-out} + A$.



- Ppre: الضغط السابق الخاص بخزان الغشاء.
- Pmin: الحد الأدنى من الضغط المرغوب فيه.
- Pcut-in: ضغط التشغيل المضبوط على عداد التشغيل الذي يتم ضبطه بحسب الضغط.
- Pcut-out: ضغط الفصل المضبوط على عداد التشغيل الذي يتم ضبطه بحسب الضغط.
- Qmax: الحد الأقصى من التدفق عند Pmin.

6.7 تركيب الكابيل الغاطس

يوصى بتوصيل الكابيل الغاطس بكابيل المحرك باستخدام مجموعة أطراف الكابلات الخاصة بجروندفوس، من النوع KM.

مجموعة أطراف الكابلات، من النوع KM

رقم المنتج	مساحة المقطع
96021473	1,5 إلى 6,0 مم ²

للمقاطع العرضية الأكبر من ذلك، يُرجى التواصل مع جروندفوس.

6.8 توصيلات الأنابيب

إذا استخدمت أداة، مثل مفتاح ربط الأنابيب المزود بسلسلة، عند تركيب أنبوب السرف بالمضخة، يجب الإمساك بالمضخة فقط من حجرة التفريغ الخاصة بالمضخة.

عند توصيل الأنابيب البلاستيكية، ينبغي استخدام وصلة انضغاطية بين المضخة وأول جزء من الأنابيب.

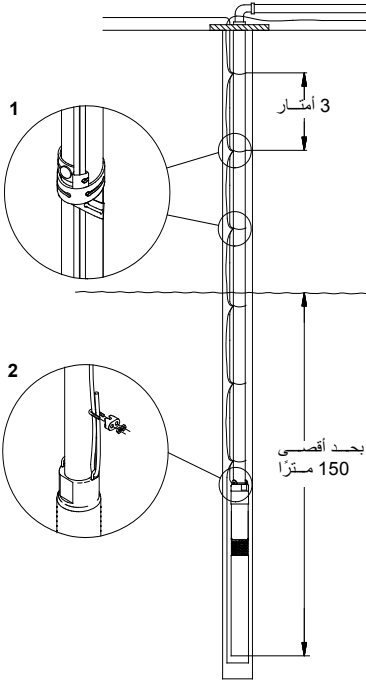
للمضخات المركبة مع الأنابيب البلاستيكية، ينبغي الأخذ في الاعتبار تمدد الأنابيب عند تحميلها، وذلك عند تحديد عمق تركيب المضخة.



حيثما تستخدم الأنابيب المشففة، يجب ثقب الشفاه لاحتواء الكابيل الغاطس.

يوضح الشكل 11 عملية تركيب المضخة مع توضيح:

- مكان مشابك الكابيل، المكان 1، والمسافة بين المشابك.
- تركيب كابل الشد، المكان 2.
- الحد الأقصى من عمق التركيب تحت مستوى المياه الاستاتيكي.



شكل 11

6.8.1 مشابك الكابيل

- يجب تركيب مشابك الكابيل كل 3 أمتار. انظر الشكل 11. عند توصيل الأنابيب البلاستيكية، يجب ترك بعض الارتخاء بين كل مشبك من مشابك الكابيل حيث إن الأنابيب البلاستيكية تتمدد عند تحميلها. عند استخدام الأنابيب المشففة، يجب تركيب مشابك الكابيل أعلى وأسفل كل وصلة.

6.6 مقياس الكابل

بإمكان جروندفوس تزويد الكابلات الهابطة القابلة للغمر اللازمة لأي نوع من التركيب.

يجب أن يكون المقطع العرضي للكابل الغاطس كبيراً بما يكفي لكي تطبق عليه متطلبات الجهد الكهربائي المحددة في القسم 5.1 عام.



لقد تم حساب القيم المذكورة في الجدول أدناه بناءً على العلاقة التالية:

$$\frac{I \times 2 \times 100 \times PF \times L \times \rho}{U \times \Delta U} = q$$

مساحة المقطع العرضي للكابل الهابط الغاطس = q [2مم]

I = الحد الأقصى من التيار المقتن للمحرك [أمبير].

PF = 1,0.

L = طول الكابل الغاطس [م].

ρ = المقاومة النوعية: 0,02 [أوم ملليمتر/2م].

U = الجهد الكهربائي الاسمي [فولت].

ΔU = هبوط الجهد الكهربائي = 4%.

إن هبوط الجهد الكهربائي 4% هو بالامتثال للمعيار IEC 3 64، سلسلة HD-384.

تعطي نتائج الحسابات الحدود القصوى التالية من أطوال الكابلات عند الجهد الكهربائي للإمداد بقيمة 240 فولت:

أقصى طول للكابل [م]

حجم الكابل						IN	المحرك (P2)
2 مم 6	2 مم 4	3,3 2 مم 12 AWG	2 مم 2,5	2,1 2 مم 14 AWG	1,5 2 مم	[أمبير]	[كيلو واط]
320	213	176	133	112	80	5,2	0,7
198	132	109	83	69	50	8,4	1,15
149	99	82	62	52	37	11,0	1,55
139	92	76	58	49	35	12	1,85

6.4 تثبيت قبايس الكابيل بالمحرك

تحذير

صدمة كهربائية



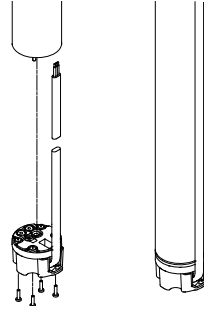
- الوفاة أو إصابة شخصية خطيرة
- يجب ألا تتم إزالة قبايس المحرك بواسطة
المستخدم تحت أي ظروف.
- يجب أن يتم تثبيت الكابيل بالقبايس أو
إزالته بواسطة ورشة صيانة مصرح لها من
قبل جروندفوس أو شخص مؤهل مماثل.

إن التوضيح التالي موجه لأفراد الصيانة بشكل حصري.
إذا كان من المطلوب استبدال كابل المحرك، فانظر القسم
5.1 عام.

يتم تشحيم قبايس الكابيل المزود مع المحرك في المصنع.
تأكد من تشحيم القبايس بالشكل الصحيح.

لتثبيت قبايس الكابيل، اتبع الخطوات التالية:

1. تأكد من أن للكابل النوع والمقطع والطول الصحيح.
2. تأكد من أن مصدر الطاقة الكهربائية الموجود في الموقع
مؤرض بشكل صحيح.
3. تأكد من كون منفذ المحرك نظيفاً وجافاً.
تأكد من أنه قد تم تثبيت الحشوة المفكوكة.
4. اضغط لدفع قبايس الكابيل داخل فتحة المحرك.
لا يمكن أن يتم تثبيت القبايس بشكل خاطئ. انظر
الشكل 8.



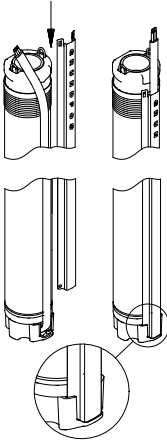
شكل 8

5. قم بتثبيت وإحكام ربط البراعي الأربعة (1 - 1,5
نيوتن متر). انظر الشكل 8.
- عندما يتم تثبيت القبايس، يجب ألا تكون هناك مسافة
سماح بين المحرك وقبايس الكابيل.

6.5 تثبيت واقى الكابيل

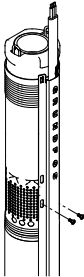
لتثبيت واقى الكابيل، اتبع الخطوات التالية:

1. تأكد من أن الكابيل الغاطس يستقر بشكل مناسب داخل
واقى الكابيل.
2. ضع واقى الكابيل في الفتحة الموجودة في قبايس
الكابيل. يجب أن يتم تعشيق مصراعي واقى الكابيل مع
الحافة العلوية الخاصة بجانبية المضخة. انظر الشكل 9.



شكل 9

3. قم بربط واقى الكابيل بمرشح السحب الخاص بالمضخة
باستخدام السبرغين ذاتيي الربط المزدوين. انظر
الشكل 10.



شكل 10

TM02 9613 3504

TM02 9605 3504

TM01 4427 0299

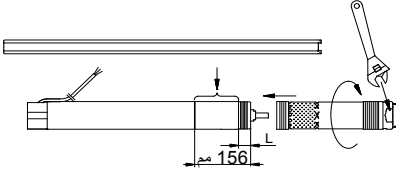
6. التركيب

6.1 عام

تحذير

صدمة كهربائية

الوفأة أو إصابة شخصية خطيرة
- قبل البدء في أي عمل بمضخة/المحرك،
تأكد من فصل إمداد الطاقة مع التأكد من أنه لا
يمكن توصيله من غير قصد.



شكل 6

TM01 2854 3804

Arabic (AR)

L [مم]	المحرك (P2) [كيلو واط]
120	0,70
102	1,15
84	1,55
66	1,85

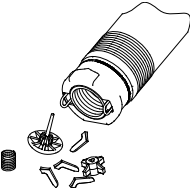
عند تركيب الجزء الخاص بالمضخة والمحرك بالشكل الصحيح، يجب ألا تكون هناك مسافة سماح بين الجزء الخاص بالمضخة وبين المحرك.

6.3 إزالة صمام منع الارتداد

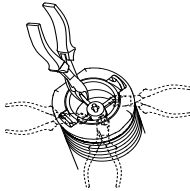
إذا كان المطلوب تركيب مضخة لا تحتوي على صمام منع الارتداد، يمكن إزالة الصمام حسب ما يلي:

1. انزع أرجل أداة توجيه الصمام باستخدام الزرادية ذات الأطراف الفاطعة أو أداة مشابهة. انظر الشكل 7.
2. اقلب المضخة رأساً على عقب.
3. تأكد من سقوط جميع الأجزاء المفككة عن المضخة.

TM01 4338 0199



TM01 4337 0199



شكل 7

يتم توفير SQE-NE دون صمام منع الارتداد.



يمكن تثبيت صمام منع الارتداد داخل إحدى ورش صيانة جروندفوس.

لا تنزل أو ترفع المضخة بواسطة كابل المحرك.



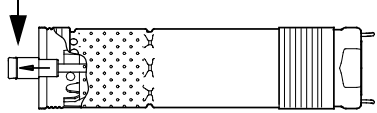
ينبغي تثبيت لوحة البيانات المفككة المزودة مع المضخة بالقرب من موقع التركيب.

6.2 تركيب الجزء الخاص بالمضخة مع المحرك

لتركيب الجزء الخاص بالمضخة والمحرك، اتبع الخطوات التالية:

1. ضع المحرك في وضع أفقي داخل مززمة وقم بإحكام وضعه. انظر الشكل 6.
2. قم بسحب عمود المضخة نحو الخارج إلى الوضع الموضح بالشكل 5.

TM02 8425 5203



شكل 5

3. قم بتشحيم طرف عمود المحرك بالشحم المزود مع المحرك.

4. قم بتركيب الجزء الخاص بالمضخة على المحرك (55 نيوتن متر).
تنبيه: يجب أن يتم تعشيق عمود المضخة مع عمود المحرك.
يمكن استخدام مفتاح براغي على جوانب الربط من الجزء الخاص بالمضخة. انظر الشكل 6.

5. التوصيل الكهربائي

5.1 عام

يجب أن يتولى التوصيل الكهربائي فني كهربائي معتمد وفقاً للقوانين المحلية.

تحذير

صدمة كهربائية

الوفاة أو إصابة شخصية خطيرة
- قبل بدء العمل في المضخة، تأكد من فصل مصدر الإمداد بالطاقة وأنه لا يمكن توصيله من غير قصد.

- يجب تاريض المضخة.
- يجب توصيل المضخة بفتح مصدر تيار كهربائي خارجي له فرجة تلامس 3 مم على الأقل في جميع الأقطاب.
- في حالة تلف كابل المحرك، يجب استبداله بواسطة جروندفوس، أو إحدى ورش الصيانة المصرح لها بواسطة جروندفوس أو أشخاص مؤهلين على نحو مماثل لتجنب الخطر.



يظهر كل من الجهد الكهربائي للإمداد والحد الأقصى من التيار المقنن وعامل الطاقة (PF) على لوحة البيانات.

يكون الجهد الكهربائي المطلوب لمحركات جروندفوس القابلة للغمر والمُقاس عند أطراف توصيل المحرك، -10%/+6% من الجهد الكهربائي الاسمي أثناء التشغيل المتواصل (بما في ذلك الاختلاف في فولتية الجهد الكهربائي للإمداد والفاقد في الكابلات).

تحذير

صدمة كهربائية

الوفاة أو إصابة شخصية خطيرة
- إذا تم توصيل المضخة بإحدى التركيبات الكهربائية التي يستخدم فيها قاطع دائرة التسيير الأرضي (ELCB) كوسيلة حماية إضافية، يجب أن يفصل قاطع الدائرة هذا عند حدوث تيارات أرضية متسريبة تحمل تيارات مستمرة.



يجب أن يتم تمييز قاطع دائرة التسيير الأرضي بالرمز التالي: \overline{N} .

الجهد الكهربائي للإمداد

$200-240 \times 1$ فولت -10%/+6%، 50/60 هرتز، PE. يمكن قياس استهلاك التيار فقط عن طريق أداة حساب الجذر التربيعي الحقيقي لمعدل مجموع القيم. في حالة استخدام أدوات أخرى فستختلف القيمة المقاسة عن القيمة الفعلية.

في المضخات SQ/SQE يمكن قياس تيار متسرب قدره 2,5 ميلي أمبير بجهد كهربائي 230 فولت وتردد 50 هرتز، بشكل قياسي. يتناسب الجهد المتسرب طردياً مع الجهد الكهربائي للإمداد.

يمكن توصيل المضخات SQE and SQE-NE بصندوق تحكم من النوع CU 300 أو CU 301.

يجب ألا يتم توصيل المضخة أبداً بمكثف أو أي نوع آخر من صناديق التحكم بخلاف CU 300 أو CU 301.

يجب ألا يتم توصيل المضخة أبداً بمحول تردد خارجي.



5.2 حماية المحرك

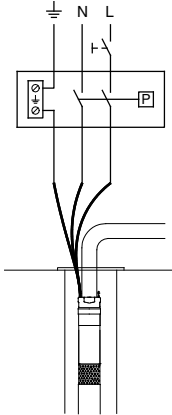
يحتوي المحرك على حماية من فرط التحميل الحراري ولا يتطلب أي نوع إضافي من حماية المحرك.

5.3 توصيل المحرك

يحتوي المحرك على أداة بادئة وبالتالي يمكن توصيله مباشرة بمصدر التيار الكهربائي.

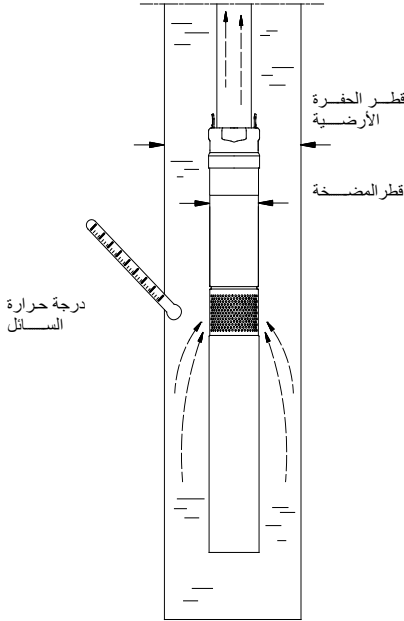
سيتم تشغيل المضخة وإيقافها من خلال عدادات التشغيل التي يتم ضبطها باستخدام مفتاح يتم التحكم فيه بالضغط. انظر الشكل 4.

يجب أن يتم تحديد مفتاح التشغيل الذي يتم ضبطه بحسب الضغط بناءً على الحد الأقصى من شدة التيار الخاصة بحجم المضخة المحدد.



مفتاح التشغيل الذي يتم ضبطه بحسب الضغط

شكل 4



شكل 3

لضمان تبريد المحرك بشكل كافٍ، من المهم الالتزام بالحد الأقصى لدرجة حرارة السائل وهو 35 درجة مئوية تحت كل الظروف.

يجب ألا يقل قطر الحفرة الأرضية عن 76 مم (ما يقارب 3 بوصة).



يجب أن يتم تركيب المحرك دائماً فوق مرشح البئر. إذا تم استخدام جلبة تدفق، فمن الممكن أن يتم تركيب المضخة في الحفرة الأرضية بحرية.

لا تترك المضخة تعمل مع غلق أنبوب التفريغ لأكثر من 5 دقائق. عند غلق أنبوب التفريغ، ينعدم تدفق التبريد ويكون هناك خطر لحدوث فرط التسخين للمحرك والمضخة.

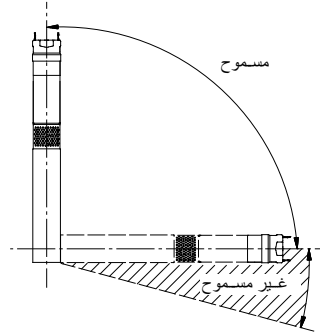


إذا تجاوزت درجة حرارة السائل الذي يتم ضخه القيمة المحددة أو كانت ظروف التشغيل مخالفة للظروف المحددة، فقد تتوقف المضخة عن العمل. يرجى التواصل مع جروندفوس.

4.2 المتطلبات المتعلقة بالموضع

المضخة مناسبة للتركيب أفقياً ورأسياً، وعلى الرغم من ذلك، يجب ألا يكون عمود المضخة أبداً أدنى من المستوى الأفقي. انظر الشكل 2.

TM01 1375 4397



شكل 2

إذا كانت المضخة مسترکب في وضع أفقي، كما هو الحال عند تركيبها في أحد الخزانات، وكانت هناك خطورة من احتمالية تغطيتها بالسائل، يجب أن يتم تثبيتها داخل جلبة تدفق.

للاطلاع على الأعماق الخاصة بالتركيب، انظر القسم 6.8.2 أعماق التركيب.

4.3 درجات حرارة/تبريد السائل

يوضح الشكل 3 مضخة SQ/SQE مركبة داخل إحدى الآبار. يتم تشغيل المضخة.

يوضح الشكل 3 ما يلي:

- قطر الحفرة الأرضية
- قطر المضخة
- درجة حرارة السائل الذي يتم ضخه
- يتجاوز تدفق السائل المحرك في اتجاه مرشح السحب الخاص بالمضخة.

3. البيانات الفنية

جهد الإمداد

1 × 240-200 فولت -10%/+6% ، 50/60 هرتز ، PE. التشغيل من خلال المولد: كحد أدنى، يجب أن تكون الطاقة الناتجة من المولد مساوية لـ P1 [كيلو واط] الخاصة بالمحرك + 10%.

تبدأ بدء التشغيل

تساوي قيمة تيار بدء التشغيل أعلى قيمة مذكورة على لوحة بيانات المحرك.

عامل الطاقة

1 = PF

سائل المحرك

من النوع 3 SML.

كابيل المحرك

1,5 م، 3 × 1,5 م2، بولي إيثيلين.

درجة حرارة السائل

يحد أقصى 35 درجة مئوية.

حجم منفذ مخرج المضخة

3 SQ 1, SQ 2, SQ 3 : RP 1 1/4

7 SQ 5, SQ 7 : RP 1 1/2

قطر المضخة

74 مم.

قطر الحفرة الأرضية

يحد أدنى 76 مم.

عمق التركيب

يحد أقصى 150 م تحت مستوى المياه الاستاتيكي. انظر أيضا القسم .

الوزن الصافي

يحد أقصى 6,5 كجم.

3.1 التخزين

درجة حرارة التخزين: -20 درجة مئوية إلى +60 درجة مئوية.

3.1.1 الحماية من الثلج

إذا كان يجب تخزين المضخة بعد الاستخدام، يجب تخزينها في موقع خالي من التجمد، أو يجب ضمان كون المحرك مضاداً للتجمد.

يجب ان يتم تخزين المحرك دون ملئه بسائل المحرك.

3.2 مستوى ضغط الصوت

إن مستوى ضغط صوت المضخة أقل من القيم المقيدة المحددة في توجيه مجلس المفوضية الأوروبية EC/2006/42 المتعلق بالآلات.

4. التجهيز

لدى محركات جروندفوس MS 3 و MSE القابلة للغمر محامل انزلاقية يتم تشحيمها بواسطة الماء. ليست هناك حاجة إلى تشحيم إضافي.

يتم ملء المحركات القابلة للغمر في المصنع بسائل محرك خاص من جروندفوس (من النوع 3 SML)، المقاوم للتجمد حتى درجة حرارة -20 درجة مئوية ويتم حفظه لمنع نمو البكتيريا.

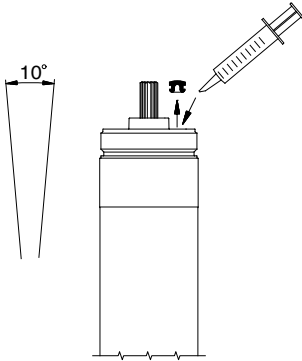
يحدد مستوى سائل المحرك عمر التشغيل الخاص بالمحامل وبالتالي عمر المحرك.

4.1 إعادة ملء سائل المحرك

إذا فقد سائل المحرك أو تسرب لأي سبب كان، يجب إعادة ملء المحرك بسائل محرك جروندفوس من النوع 3 SML.

لإعادة ملء المحرك، اتبع الخطوات التالية:

1. انزع غطاء الكابل وقم بفصل الجزء الخاص بالمضخة من المحرك.



شكل 1 انزع غطاء الكابل وقم بفصل الجزء الخاص بالمضخة من المحرك.

2. ضع المحرك في وضع رأسي مع درجة ميل تقارب 10 درجات.
3. انزع الغطاء المخصص لإعادة الملء باستخدام مفك براغي أو أداة مشابهة.
4. قم بحقن سائل المحرك داخل المحرك باستخدام محقنة ملء أو ما شابه.
5. للسماح بخروج الهواء المحتمل دخوله، قم بتحريك المحرك من جانب لآخر.
6. قم بإعادة تثبيت الغطاء وتأكد من إحكام ربطه.
7. قم بتثبيت الجزء الخاص بالمضخة مع المحرك.
8. قم بإعادة تثبيت واقي الكابل. المضخة الآن جاهزة للتركيب.

2.1 التطبيقات

المضخات SQ و SQE مصممة لضخ السوائل الرقيقة غير الضارة وغير المتفجرة التي لا تحتوي على جسيمات صلبة أو ألياف.

التطبيقات النموذجية:

- الإمداد بالمياه الجوفية للأغراض التالية:
- المساكن الخاصة

محطات المياه الصغيرة

- أنظمة الري كما في حالات الصوبات الزراعية.
- نقل السوائل من الخزانات.

زيادة الضغط

المضخات SQE-NE مصممة لضخ السوائل الرقيقة غير الضارة وغير المتفجرة التي لا تحتوي على جسيمات صلبة أو ألياف.

تناسب المضخات ضخ المياه الجوفية الملوثة أو تلك التي تحتوي على كربونات الهيدروجين من المصادر التالية على سبيل المثال

- مكبات النفايات
- مستودعات المواد الكيميائية
- المناطق الصناعية
- محطات تعبئة الوقود والنفط
- التطبيقات البيئية.

ويمكن استخدام المضخات SQE-NE أيضًا في أغراض أخذ العينات والمراقبة، و، إلى حد ما، للدمج في أنظمة معالجة المياه.

المعلومات المنطقية على جميع أنواع المضخات

لا يجب ألا يتجاوز المحتوى الأقصى للرمل في الماء 50 جم /م³. وسوف يؤدي وجود محتوى رمال أكبر من ذلك إلى تقليل عمر المضخة وزيادة خطر الانسداد.

في حالة ضخ سوائل ذات لزوجة أعلى من لزوجة الماء، يُرجى التواصل مع جرونډفوس.



قياس الأس الهيدروجيني

SQ و SQE : 5 إلى 9.

SQE-NE : يرجى التواصل مع جرونډفوس.

درجة حرارة السائل

يجب ألا تتجاوز درجة حرارة السائل 35 درجة مئوية.

سوف يتم تنظيم النص المصاحب لرموز المخاطر الثلاثة خطر، تحذير، وتبنيه بالطريقة التالية:

كلمة إشارية

وصف المخاطرة



عاقبة تجاهل التحذير.
- الإجراء لتجنب المخاطرة.

دائرة زرقاء أو رمادية بها رمز بياني تدل على إجراء يجب اتخاذه.



تدل دائرة حمراء أو رمادية مع شريط قطري مائل، ربما مع رمز رسومي أسود، على ضرورة عدم الإقدام على فعل ما أو ضرورة إيقافه.



في حالة عدم الالتزام بتلك التعليمات، فقد يتسبب ذلك في تعطل المعدة أو تلفها.



نصائح أو إرشادات التي تجعل العمل أسهل.



2. عام

تحذير

صدمة كهربائية

الوفاة أو إصابة شخصية خطيرة
- يجب عدم استخدام المضخة أثناء وجود الأشخاص في الماء.



في صفحة 412 من تعليمات التركيب والتشغيل هذه، ستجد نسخاً من لوحات بيانات المضخة والمحرك.

قبل أن يتم إنزال مضخة SQ/SQE إلى الحفرة الأرضية، يجب أن تتسم كتابة بيانات المضخة من صحيفة البيانات في هذه الصفحة.

يجب الاحتفاظ بتعليمات التركيب والتشغيل هذه في مكان جاف بالقرب من موقع التركيب لأغراض استخدامها كمرجع.

ترجمة النسخة الإنجليزية الأصل.

المحتويات

صفحة	
411	1. الرموز المستخدمة في هذه الوثيقة
410	2. عام
410	2.1 التطبيقات
409	3. البيانات الفنية
409	3.1 التخزين
409	3.2 مستوى ضغط الصوت
409	4. التجهيز
409	4.1 إعادة ملء سائل المحرك
408	4.2 المتطلبات المتعلقة بالموضوع
408	4.3 درجات حرارة تبريد السائل
407	5. التوصيل الكهربائي
407	5.1 عام
407	5.2 حماية المحرك
407	5.3 توصيل المحرك
406	6. التركيب
406	6.1 عام
406	6.2 تركيب الجزء الخاص بالمشحمة مع المحرك
406	6.3 إزالة صمام منع الارتداد
405	6.4 تثبيت قياس الكابل بالمحرك
405	6.5 تثبيت واقسي الكابل
404	6.6 مقياس الكابل
403	6.7 تركيب الكابل الغلاطس
403	6.8 توصيلات الأنابيب
402	7. التشغيل الأولي
402	8. التشغيل
402	8.1 الحد الأدنى لمعدل التدفق
402	8.2 اختيار خزان الغشاء وضبط الضغط السابق للتحميل وعداد التشغيل الذي يتم ضبطه بالضغط
402	8.3 فرض تحميل النظام عند البئر
400	8.4 الحماية المدمجة
400	9. الصيانة والخدمة
400	9.1 المضخات الملوثة
399	10. جدول تحديد الأعطال
398	10.1 قياس مقاومة العزل الكهربائي
397	11. فحص مصدر الإمداد بالطاقة
397	12. البيئة
397	13. التخلص من المنتج

هذا المنتج يمكن أن يستخدمه الأطفال الذين يبلغون من العمر 8 أعوام فأكبر والأشخاص الذين يعانون نقصاً في القدرات الجسدية أو الحسية أو العقلية أو تنقصهم الخبرة والمعرفة إذا كانوا تحت إشراف أو تم تعليمهم طريقة استخدام المنتج بطريقة آمنة ويفهمون الأخطار المرتبطة باستخدام الجهاز.



يجب عدم عبث الأطفال في هذا المنتج. يجب على الأطفال عدم تنظيف أو صيانة المنتج إلا إذا كانوا تحت إشراف.

1. الرموز المستخدمة في هذه الوثيقة

خطر

يدل على وضع ينطوي على مخاطرة، إذا لم يتم تجنبه، سيؤدي إلى الوفاة أو إصابة شخصية خطيرة.



تحذير

يدل على وضع ينطوي على مخاطرة، إذا لم يتم تجنبه، قد يؤدي إلى الوفاة أو إصابة شخصية خطيرة.



تنبيه

يدل على وضع ينطوي على مخاطرة، إذا لم يتم تجنبه، قد يؤدي إلى إصابة شخصية بسيطة أو متوسطة.




قبل التركيب، اقرأ هذه الوثيقة. يجب أن يلتزم التركيب والتشغيل بالوائح المحلية والقوانين المقبولة للممارسة الجيدة.



Appendix

Nameplates to be filled in

GRUNDFOS 

PUMP UNIT 96033644

MODEL A P1 9744

SQ SQE X - XXX





Q: xx m³/h H: XXX m

Stages: X


P2 motor: X.XX kW

Weight: X.X kg

Made in _____

Rp 1 1/4

GRUNDFOS 

PROD.NO. _____

MODEL P1

U: _____ 50/60 Hz

I: A SINGLE PHASE

P1: _____ kW

P2: _____ kW

S1/35 °C

IEC/EN 60034 CI.1

P2: _____ HP


SF _____

FLA _____ LRA _____





Ins Cl F

PF 1.0 PRM: _____

Weight _____ kg/lb

IP 68 

Made in _____

TIM06 2933 4814 - TIM06 2934 4814

Argentina

Bombas GRUNDFOS de Argentina S.A.
Ruta Panamericana km. 37.500 Centro
Industrial Garin
1619 - Garin Pcia. de B.A.
Phone: +54-3327 414 444
Telefax: +54-3327 411 111

Australia

GRUNDFOS Pumps Pty. Ltd.
P.O. Box 2040
Regency Park
South Australia 5942
Phone: +61-8-8461-4611
Telefax: +61-8-8340 0155

Austria

GRUNDFOS Pumpen Vertrieb
Ges.m.b.H.
Grundfosstraße 2
A-5082 Grödig/Salzburg
Tel.: +43-6246-883-0
Telefax: +43-6246-883-30

Belgium

N.V. GRUNDFOS Bellux S.A.
Boomsesteenweg 81-83
B-2630 Aartselaar
Tél.: +32-3-870 7300
Télécopie: +32-3-870 7301

Belarus

Представительство ГРУНДФОС в
Минске
220125, Минск
ул. Шафарнянская, 11, оф. 56
Тел.: +7 (375 17) 286 39 72, 286 39 73
Факс: +7 (375 17) 286 39 71
E-mail: minsk@grundfos.com

Bosnia/Herzegovina

GRUNDFOS Sarajevo
Trg Heroja 16,
BiH-71000 Sarajevo
Phone: +387 33 713 290
Telefax: +387 33 659 079
e-mail: grundfos@bih.net.ba

Brazil

BOMBAS GRUNDFOS DO BRASIL
Av. Humberto de Alencar Castelo
Branco, 630
CEP 09850 - 300
São Bernardo do Campo - SP
Phone: +55-11 4393 5533
Telefax: +55-11 4343 5015

Bulgaria

Grundfos Bulgaria EOOD
Slatina District
Iztochna Tangenta street no. 100
BG - 1592 Sofia
Tel. +359 2 49 22 200
Fax. +359 2 49 22 201
email: bulgaria@grundfos.bg

Canada

GRUNDFOS Canada Inc.
2941 Brighton Road
Oakville, Ontario
L6H 6C9
Phone: +1-905 829 9533
Telefax: +1-905 829 9512

China

**Grundfos Alldos
Dosing & Disinfection**
ALLDOS (Shanghai) Water Technology
Co. Ltd.
West Unit, 1 Floor, No. 2 Building (T 4-2)
278 Jinhua Road, Jin Qiao Export Pro-
cessing Zone
Pudong New Area
Shanghai, 201206
Phone: +86 21 5055 1012
Telefax: +86 21 5032 0596
E-mail: grundfosalldos-CN@grund-
fos.com

China

GRUNDFOS Pumps (Shanghai) Co. Ltd.
10F The Hub, No. 33 Suhong Road
Minhang District
Shanghai 201106
PRC
Phone: +86-21 6122 5222
Telefax: +86-21 6122 5333

COLOMBIA

GRUNDFOS Colombia S.A.S.
Km 1.5 vía Siberia-Cota Conj. Potrero
Chico,
Parque Empresarial Arcos de Cota Bod.
1A,
Cota, Cundinamarca
Phone: +57(1)-2913444
Telefax: +57(1)-8764586

Croatia

GRUNDFOS CROATIA d.o.o.
Cebini 37, Buzin
HR-10010 Zagreb
Phone: +385 1 6595 400
Telefax: +385 1 6595 499
www.hr.grundfos.com

GRUNDFOS Sales Czechia and

Slovakia s.r.o.
Čapkovského 21
779 00 Olomouc
Phone: +420-585-716 111

Denmark

GRUNDFOS DK A/S
Martin Bachs Vej 3
DK-8850 Bjerringbro
Tlf.: +45-87 50 50 50
Telefax: +45-87 50 51 51
E-mail: info_GDK@grundfos.com
www.grundfos.com/DK

Estonia

GRUNDFOS Pumps Eesti OÜ
Peterburi tee 92G
11415 Tallinn
Tel: + 372 606 1690
Fax: + 372 606 1691

Finland

OY GRUNDFOS Pumput AB
Trukkikuja 1
FI-01360 Vantaa
Phone: +358-(0)207 889 500

France

Pompes GRUNDFOS Distribution S.A.
Parc d'Activités de Chesnes
57, rue de Malacombe
F-38290 St. Quentin Fallavier (Lyon)
Tél.: +33-4 74 82 15 15
Télécopie: +33-4 74 94 10 51

Germany

GRUNDFOS Water Treatment GmbH
Reetzstraße 85
D-76327 Pfinztal (Söllingen)
Tel.: +49 7240 61-0
Telefax: +49 7240 61-177
E-mail: gwt@grundfos.com

Germany

GRUNDFOS GMBH
Schlüterstr. 33
40699 Erkrath
Tel.: +49-(0) 211 929 69-0
Telefax: +49-(0) 211 929 69-3799
E-mail: infoservice@grundfos.de
Service in Deutschland:
E-mail: kundendienst@grundfos.de

Greece

GRUNDFOS Hellas A.E.B.E.
20th km. Athinon-Markopoulou Av.
P.O. Box 71
GR-19002 Peania
Phone: +0030-210-66 83 400
Telefax: +0030-210-66 46 273

Hong Kong

GRUNDFOS Pumps (Hong Kong) Ltd.
Unit 1, Ground floor
Siu Wai Industrial Centre
29-33 Wing Hong Street &
68 King Lam Street, Cheung Sha Wan
Kowloon
Phone: +852-27861706 / 27861741
Telefax: +852-27858664

Hungary

GRUNDFOS Hungária Kft.
Park u. 8
H-2045 Törökbálint,
Phone: +36-23 511 110
Telefax: +36-23 511 111

India

GRUNDFOS Pumps India Private
Limited
118 Old Mahabalipuram Road
Thoraiakkam
Chennai 600 097
Phone: +91-44 4596 6800

Indonesia

PT. GRUNDFOS POMPA
Graha Intirub Lt. 2 & 3
Jln. Ciliilitan Besar No.454. Makasar,
Jakarta Timur
ID-Jakarta 13650
Phone: +62 21-469-51900
Telefax: +62 21-460 6910 / 460 6901

Ireland

GRUNDFOS (Ireland) Ltd.
Unit A, Merrywell Business Park
Ballymount Road Lower
Dublin 12
Phone: +353-1-4089 800
Telefax: +353-1-4089 830

Italy

GRUNDFOS Pompe Italia S.r.l.
Via Gran Sasso 4
I-20060 Truccazzano (Milano)
Tel.: +39-02-95838112
Telefax: +39-02-95309290 / 95838461

Japan

GRUNDFOS Pumps K.K.
1-2-3. Shin-Miyakoda, Kita-tsu
Hamamatsu
431-2103 Japan
Phone: +81 53 428 4760
Telefax: +81 53 428 5005

Korea

GRUNDFOS Pumps Korea Ltd.
6th Floor, Aju Building 679-5
Yeoksam-dong, Kangnam-ku, 135-916
Seoul, Korea
Phone: +82-2-5317 600
Telefax: +82-2-5633 725

Latvia

SIA GRUNDFOS Pumps Latvia
Deglava biznesa centrs
Augusta Deglava ielā 60, LV-1035, Rīga,
Tālr.: + 371 714 9640, 7 149 641
Fakss: + 371 914 9646

Lithuania

GRUNDFOS Pumps UAB
Smolensko g. 6
LT-03201 Vilnius
Tel: + 370 52 395 430
Fax: + 370 52 395 431

Malaysia

GRUNDFOS Pumps Sdn. Bhd.
7 Jalan Peguam U1/25
Glenmarie Industrial Park
40150 Shah Alam
Selangor
Phone: +60-3-5569 2922
Telefax: +60-3-5569 2866

Mexico

Bombas GRUNDFOS de México S.A. de
C.V.
Boulevard TLC No. 15
Parque Industrial Stiva Aeropuerto
Apodaca, N.L. 66600
Phone: +52-81-8144 4000
Telefax: +52-81-8144 4010

Netherlands

GRUNDFOS Netherlands
Veluwezoom 35
1326 AE Almere
Postbus 22015
1302 CA ALMERE
Tel.: +31-88-478 6336
Telefax: +31-88-478 6332
E-mail: info_gnl@grundfos.com

New Zealand

GRUNDFOS Pumps NZ Ltd.
17 Beatrice Tinsley Crescent
North Harbour Industrial Estate
Albany, Auckland
Phone: +64-9-415 3240
Telefax: +64-9-415 3250

Norway

GRUNDFOS Pumper A/S
Strømsveien 344
Postboks 235, Leirdal
N-1011 Oslo
Tlf.: +47-22 90 47 00
Telefax: +47-22 32 21 50

Poland

GRUNDFOS Pompy Sp. z o.o.
ul. Klonowa 23
Baranowo k. Poznania
PL-62-081 Przeźmierowo
Tel: (+48-61) 650 13 00
Fax: (+48-61) 650 13 50

Portugal

Bombas GRUNDFOS Portugal, S.A.
Rua Calvet de Magalhães, 241
Apartado 1079
P-2770-153 Paço de Arcos
Tel.: +351-21-440 76 00
Telefax: +351-21-440 76 90

Romania

GRUNDFOS Pompe Românie SRL
Bd. Biruintei, nr 103
Pantelimon county Ilfov
Phone: +40 21 200 4100
Telefax: +40 21 200 4101
E-mail: romania@grundfos.ro

Russia

ООО Грундфос
Ул. Школьная, 39-41
Москва, RU-109544, Russia
Тел. (+7) 495 737 30 00, 564 8800
Факс (+7) 495 737 75 36, 564 8811
E-mail grundfos.moscow@grundfos.com

Serbia

GRUNDFOS Predstavništvo Beograd
Dr. Milutina Ivkovića 2a/29
YU-11000 Beograd
Phone: +381 11 26 47 877 / 11 26 47
496
Telefax: +381 11 26 48 340

Singapore

GRUNDFOS (Singapore) Pte. Ltd.
25 Jalan Tukang
Singapore 619264
Phone: +65-6681 9688
Telefax: +65-6681 9689

Slovakia

GRUNDFOS s.r.o.
Prievozská 4D
821 09 BRATISLAVA
Phona: +421 2 5020 1426
sk.grundfos.com

Slovenia

GRUNDFOS LJUBLJANA, d.o.o.
Leskoškova 9e, 1122 Ljubljana
Phone: +386 (0) 1 568 06 10
Telefax: +386 (0) 1 568 06 19
E-mail: tehnika-si@grundfos.com

South Africa

Grundfos (PTY) Ltd.
Corner Mountjoy and George Allen
Roads
Wilbart Ext. 2
Bedfordview 2008
Phone: (+27) 11 579 4800
Fax: (+27) 11 455 6066
E-mail: lsmart@grundfos.com

Spain

Bombas GRUNDFOS España S.A.
Camino de la Fuenteclilla, s/n
E-28110 Algete (Madrid)
Tel.: +34-91-848 8800
Telefax: +34-91-628 0465

Sweden

GRUNDFOS AB
(Box 333) Lunnagårdsgatan 6
431 24 Mölndal
Tel.: +46 31 332 23 000
Telefax: +46 31-331 94 60

Switzerland

GRUNDFOS ALLDOS International AG
Schönmattstraße 4
CH-4153 Reinach
Tel.: +41-61-717 5555
Telefax: +41-61-717 5500
E-mail: grundfosalldos-CH@grund-
fos.com

Switzerland

GRUNDFOS Pumpen AG
Bruggacherstrasse 10
CH-8117 Fällanden/ZH
Tel.: +41-44-806 8111
Telefax: +41-44-806 8115

Taiwan

GRUNDFOS Pumps (Taiwan) Ltd.
7 Floor, 219 Min-Chuan Road
Taichung, Taiwan, R.O.C.
Phone: +886-4-2305 0868
Telefax: +886-4-2305 0878

Thailand

GRUNDFOS (Thailand) Ltd.
92 Chaloeam Phrakiat Rama 9 Road,
Dokmai, Pravej, Bangkok 10250
Phone: +66-2-725 8999
Telefax: +66-2-725 8998

Turkey

GRUNDFOS POMPA San. ve Tic. Ltd.
Sti.
Gebze Organize Sanayi Bölgesi
İhsan dede Caddesi,
2. yol 200. Sokak No. 204
41490 Gebze/ Kocaeli
Phone: +90 - 262-679 7979
Telefax: +90 - 262-679 7905
E-mail: satis@grundfos.com

Ukraine

Бізнес Центр Європа
Столичне шосе, 103
м. Київ, 03131, Україна
Телефон: (+38 044) 237 04 00
Факс: (+38 044) 237 04 01
E-mail: ukraine@grundfos.com

United Arab Emirates

GRUNDFOS Gulf Distribution
P.O. Box 16768
Jebel Ali Free Zone
Dubai
Phone: +971-4- 8815 166
Telefax: +971-4-8815 136

United Kingdom

GRUNDFOS Pumps Ltd.
Grovebury Road
Leighton Buzzard/Beds. LU7 4TL
Phone: +44-1525-850000
Telefax: +44-1525-850011

U.S.A.

GRUNDFOS Pumps Corporation
17100 West 118th Terrace
Olathe, Kansas 66061
Phone: +1-913-227-3400
Telefax: +1-913-227-3500

Uzbekistan

Grundfos Tashkent, Uzbekistan The Rep-
resentative Office of Grundfos Kazakhstan
in Uzbekistan
38a, Oybek street, Tashkent
Телефон: (+998) 71 150 3290 / 71 150
3291
Факс: (+998) 71 150 3292

Addresses revised 09.08.2017

Argentina

Bombas GRUNDFOS de Argentina S.A.
Ruta Panamericana km. 37.500 Centro
Industrial Garin
1619 - Garin Pcia. de B.A.
Phone: +54-3327 414 444
Telefax: +54-3327 411 111

Australia

GRUNDFOS Pumps Pty. Ltd.
P.O. Box 2040
Regency Park
South Australia 5942
Phone: +61-8-8461-4611
Telefax: +61-8-8340 0155

Austria

GRUNDFOS Pumpen Vertrieb
Ges.m.b.H.
Grundfosstraße 2
A-5082 Grödig/Salzburg
Tel.: +43-6246-883-0
Telefax: +43-6246-883-30

Belgium

N.V. GRUNDFOS Bellux S.A.
Boomsesteenweg 81-83
B-2630 Aartselaar
Tél.: +32-3-870 7300
Télécopie: +32-3-870 7301

Belarus

Представительство ГРУНДФОС в
Минске
220125, Минск
ул. Шафарнянская, 11, оф. 56
Тел.: +7 (375 17) 286 39 72, 286 39 73
Факс: +7 (375 17) 286 39 71
E-mail: minsk@grundfos.com

Bosnia/Herzegovina

GRUNDFOS Sarajevo
Trg Heroja 16,
BiH-71000 Sarajevo
Phone: +387 33 713 290
Telefax: +387 33 659 079
e-mail: grundfos@bih.net.ba

Brazil

BOMBAS GRUNDFOS DO BRASIL
Av. Humberto de Alencar Castelo
Branco, 630
CEP 09850 - 300
São Bernardo do Campo - SP
Phone: +55-11 4393 5533
Telefax: +55-11 4343 5015

Bulgaria

Grundfos Bulgaria EOOD
Slatina District
Iztochna Tangenta street no. 100
BG - 1592 Sofia
Tel. +359 2 49 22 200
Fax. +359 2 49 22 201
email: bulgaria@grundfos.bg

Canada

GRUNDFOS Canada Inc.
2941 Brighton Road
Oakville, Ontario
L6H 6C9
Phone: +1-905 829 9533
Telefax: +1-905 829 9512

China

Grundfos Alldos
Dosing & Disinfection
ALLDOS (Shanghai) Water Technology
Co. Ltd.
West Unit, 1 Floor, No. 2 Building (T 4-2)
278 Jinhua Road, Jin Qiao Export Pro-
cessing Zone
Pudong New Area
Shanghai, 201206
Phone: +86 21 5055 1012
Telefax: +86 21 5032 0596
E-mail: grundfosalldos-CN@grund-
fos.com

China

GRUNDFOS Pumps (Shanghai) Co. Ltd.
10F The Hub, No. 33 Suhong Road
Minhang District
Shanghai 201106
PRC
Phone: +86-21 6122 5222
Telefax: +86-21 6122 5333

COLOMBIA

GRUNDFOS Colombia S.A.S.
Km 1.5 vía Siberia-Cota Conj. Potrero
Chico,
Parque Empresarial Arcos de Cota Bod.
1A,
Cota, Cundinamarca
Phone: +57(1)-2913444
Telefax: +57(1)-8764586

Croatia

GRUNDFOS CROATIA d.o.o.
Cebini 37, Buzin
HR-10010 Zagreb
Phone: +385 1 6595 400
Telefax: +385 1 6595 499
www.hr.grundfos.com

GRUNDFOS Sales Czechia and

Slovakia s.r.o.
Čapkovského 21
779 00 Olomouc
Phone: +420-585-716 111

Denmark

GRUNDFOS DK A/S
Martin Bachs Vej 3
DK-8850 Bjerringbro
Tlf.: +45-87 50 50 50
Telefax: +45-87 50 51 51
E-mail: info_GDK@grundfos.com
www.grundfos.com/DK

Estonia

GRUNDFOS Pumps Eesti OÜ
Peterburi tee 92G
11415 Tallinn
Tel: + 372 606 1690
Fax: + 372 606 1691

Finland

OY GRUNDFOS Pumput AB
Trukkikuja 1
FI-01360 Vantaa
Phone: +358-(0)207 889 500

France

Pompes GRUNDFOS Distribution S.A.
Parc d'Activités de Chesnes
57, rue de Malacombe
F-38290 St. Quentin Fallavier (Lyon)
Tél.: +33-4 74 82 15 15
Télécopie: +33-4 74 94 10 51

Germany

GRUNDFOS Water Treatment GmbH
Reetzstraße 85
D-76327 Pfinztal (Söllingen)
Tel.: +49 7240 61-0
Telefax: +49 7240 61-177
E-mail: gwt@grundfos.com

Germany

GRUNDFOS GMBH
Schlüterstr. 33
40699 Erkrath
Tel.: +49-(0) 211 929 69-0
Telefax: +49-(0) 211 929 69-3799
E-mail: infoservice@grundfos.de
Service in Deutschland:
E-mail: kundendienst@grundfos.de

Greece

GRUNDFOS Hellas A.E.B.E.
20th km. Athinon-Markopoulou Av.
P.O. Box 71
GR-19002 Peania
Phone: +0030-210-66 83 400
Telefax: +0030-210-66 46 273

Hong Kong

GRUNDFOS Pumps (Hong Kong) Ltd.
Unit 1, Ground floor
Siu Wai Industrial Centre
29-33 Wing Hong Street &
68 King Lam Street, Cheung Sha Wan
Kowloon
Phone: +852-27861706 / 27861741
Telefax: +852-27858664

Hungary

GRUNDFOS Hungária Kft.
Park u. 8
H-2045 Törökbálint,
Phone: +36-23 511 110
Telefax: +36-23 511 111

India

GRUNDFOS Pumps India Private
Limited
118 Old Mahabalipuram Road
Thoraiakkam
Chennai 600 097
Phone: +91-44 4596 6800

Indonesia

PT. GRUNDFOS POMPA
Graha Intirub Lt. 2 & 3
Jln. Cillilitan Besar No.454. Makasar,
Jakarta Timur
ID-Jakarta 13650
Phone: +62 21-469-51900
Telefax: +62 21-460 6910 / 460 6901

Ireland

GRUNDFOS (Ireland) Ltd.
Unit A, Merrywell Business Park
Ballymount Road Lower
Dublin 12
Phone: +353-1-4089 800
Telefax: +353-1-4089 830

Italy

GRUNDFOS Pompe Italia S.r.l.
Via Gran Sasso 4
I-20060 Truccazzano (Milano)
Tel.: +39-02-95838112
Telefax: +39-02-95309290 / 95838461

Japan

GRUNDFOS Pumps K.K.
1-2-3. Shin-Miyakoda, Kita-ku
Hamamatsu
431-2103 Japan
Phone: +81 53 428 4760
Telefax: +81 53 428 5005

Korea

GRUNDFOS Pumps Korea Ltd.
6th Floor, Aju Building 679-5
Yeoksam-dong, Kangnam-ku, 135-916
Seoul, Korea
Phone: +82-2-5317 600
Telefax: +82-2-5633 725

Latvia

SIA GRUNDFOS Pumps Latvia
Deglava biznesa centrs
Augusta Deglava ielā 60, LV-1035, Rīga,
Tālr.: + 371 714 9640, 7 149 641
Fakss: + 371 914 9646

Lithuania

GRUNDFOS Pumps UAB
Smolensko g. 6
LT-03201 Vilnius
Tel: + 370 52 395 430
Fax: + 370 52 395 431

Malaysia

GRUNDFOS Pumps Sdn. Bhd.
7 Jalan Peguam U1/25
Glenmarie Industrial Park
40150 Shah Alam
Selangor
Phone: +60-3-5569 2922
Telefax: +60-3-5569 2866

Mexico

Bombas GRUNDFOS de México S.A. de
C.V.
Boulevard TLC No. 15
Parque Industrial Stiva Aeropuerto
Apodaca, N.L. 66600
Phone: +52-81-8144 4000
Telefax: +52-81-8144 4010

Netherlands

GRUNDFOS Netherlands
Veluwezoom 35
1326 AE Almere
Postbus 22015
1302 CA ALMERE
Tel.: +31-88-478 6336
Telefax: +31-88-478 6332
E-mail: info_gnl@grundfos.com

New Zealand

GRUNDFOS Pumps NZ Ltd.
17 Beatrice Tinsley Crescent
North Harbour Industrial Estate
Albany, Auckland
Phone: +64-9-415 3240
Telefax: +64-9-415 3250

Norway

GRUNDFOS Pumper A/S
Strømsveien 344
Postboks 235, Leirdal
N-1011 Oslo
Tlf.: +47-22 90 47 00
Telefax: +47-22 32 21 50

Poland

GRUNDFOS Pompy Sp. z o.o.
ul. Klonowa 23
Baranowo k. Poznania
PL-62-081 Przeźmierowo
Tel: (+48-61) 650 13 00
Fax: (+48-61) 650 13 50

Portugal

Bombas GRUNDFOS Portugal, S.A.
Rua Calvet de Magalhães, 241
Apartado 1079
P-2770-153 Paço de Arcos
Tel.: +351-21-440 76 00
Telefax: +351-21-440 76 90

Romania

GRUNDFOS Pompe România SRL
Bd. Biruintei, nr 103
Pantelimon county Ilfov
Phone: +40 21 200 4100
Telefax: +40 21 200 4101
E-mail: romania@grundfos.ro

Russia

OAO Грундфос
Россия, 109544 Москва, ул. Школьная
39
Тел. (+7) 495 737 30 00, 564 88 00
Факс (+7) 495 737 75 36, 564 88 11
E-mail grundfos.moscow@grundfos.com

Serbia

GRUNDFOS Predstavništvo Beograd
Dr. Milutina Ivkovića 2a/29
YU-11000 Beograd
Phone: +381 11 26 47 877 / 11 26 47
496
Telefax: +381 11 26 48 340

Singapore

GRUNDFOS (Singapore) Pte. Ltd.
25 Jalan Tukang
Singapore 619264
Phone: +65-6681 9688
Telefax: +65-6681 9689

Slovakia

GRUNDFOS s.r.o.
Prievozská 4D
821 09 BRATISLAVA
Phona: +421 2 5020 1426
sk.grundfos.com

Slovenia

GRUNDFOS LJUBLJANA, d.o.o.
Leskoškova 9e, 1122 Ljubljana
Phone: +386 (0) 1 568 06 10
Telefax: +386 (0) 1 568 06 19
E-mail: tehnika-si@grundfos.com

South Africa

Grundfos (PTY) Ltd.
Corner Mountjoy and George Allen
Roads
Wilbart Ext. 2
Bedfordview 2008
Phone: (+27) 11 579 4800
Fax: (+27) 11 455 6066
E-mail: lsmart@grundfos.com

Spain

Bombas GRUNDFOS España S.A.
Camino de la Fuentecilla, s/n
E-28110 Algete (Madrid)
Tel.: +34-91-848 8800
Telefax: +34-91-628 0465

Sweden

GRUNDFOS AB
(Box 333) Lunnagårdsgatan 6
431 24 Mölndal
Tel.: +46 31 332 23 000
Telefax: +46 31-331 94 60

Switzerland

GRUNDFOS ALLDOS International AG
Schönmattstraße 4
CH-4153 Reinach
Tel.: +41-61-717 5555
Telefax: +41-61-717 5500
E-mail: grundfosalldos-CH@grund-
fos.com

Switzerland

GRUNDFOS Pumpen AG
Bruggacherstrasse 10
CH-8117 Fällanden/ZH
Tel.: +41-44-806 8111
Telefax: +41-44-806 8115

Taiwan

GRUNDFOS Pumps (Taiwan) Ltd.
7 Floor, 219 Min-Chuan Road
Taichung, Taiwan, R.O.C.
Phone: +886-4-2305 0868
Telefax: +886-4-2305 0878

Thailand

GRUNDFOS (Thailand) Ltd.
92 Chaloeam Phrakiat Rama 9 Road,
Dokmai, Pravej, Bangkok 10250
Phone: +66-2-725 8999
Telefax: +66-2-725 8998

Turkey

GRUNDFOS POMPA San. ve Tic. Ltd.
Sti.
Gebze Organize Sanayi Bölgesi
İhsan dede Caddesi,
2. yol 200. Sokak No. 204
41490 Gebze/ Kocaeli
Phone: +90 - 262-679 7979
Telefax: +90 - 262-679 7905
E-mail: satis@grundfos.com

Ukraine

Бізнес Центр Європа
Столичне шосе, 103
м. Київ, 03131, Україна
Телефон: (+38 044) 237 04 00
Факс.: (+38 044) 237 04 01
E-mail: ukraine@grundfos.com

United Arab Emirates

GRUNDFOS Gulf Distribution
P.O. Box 16768
Jebel Ali Free Zone
Dubai
Phone: +971-4- 8815 166
Telefax: +971-4-8815 136

United Kingdom

GRUNDFOS Pumps Ltd.
Grovebury Road
Leighton Buzzard/Beds. LU7 4TL
Phone: +44-1525-850000
Telefax: +44-1525-850011

U.S.A.

GRUNDFOS Pumps Corporation
17100 West 118th Terrace
Olathe, Kansas 66061
Phone: +1-913-227-3400
Telefax: +1-913-227-3500

Uzbekistan

Grundfos Tashkent, Uzbekistan The Rep-
resentative Office of Grundfos Kazakhstan
in Uzbekistan
38a, Oybek street, Tashkent
Телефон: (+998) 71 150 3290 / 71 150
3291
Факс: (+998) 71 150 3292

Addresses revised 05.12.2016

be think innovate

96160909 0517

ECM: 1208384

The name Grundfos, the Grundfos logo, and **be think innovate** are registered trademarks owned by Grundfos Holding A/S or Grundfos A/S, Denmark. All rights reserved worldwide.
© Copyright Grundfos Holding A/S

www.grundfos.com

GRUNDFOS 